

# BRÄNDBO FORNEBY

GB

NL

FR

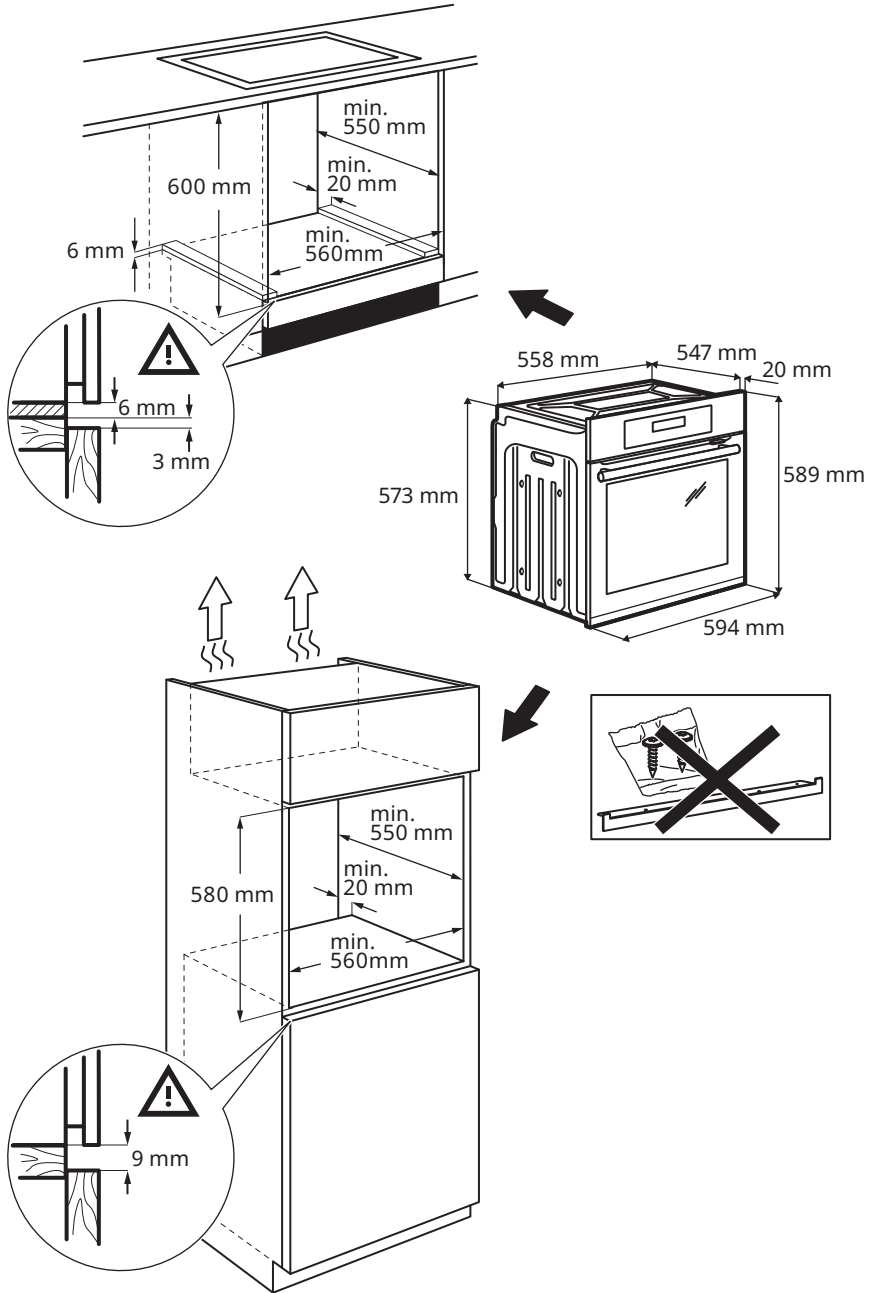
DE

IT



Design and Quality  
IKEA of Sweden

<b>ENGLISH</b>	<b>4</b>
<b>NEDERLANDS</b>	<b>15</b>
<b>FRANÇAIS</b>	<b>27</b>
<b>DEUTSCH</b>	<b>44</b>
<b>ITALIANO</b>	<b>56</b>



## Safety Information

Before the installation and use of the appliance, carefully read the supplied instructions. The manufacturer is not responsible for any injuries or damage that are the result of incorrect installation or usage. Always keep the instructions in a safe and accessible location for future reference.

### SAFETY WARNINGS

⚠ This appliance can be used by children aged from 8 years and above and persons with reduced physical, sensory or mental capabilities or lack of experience and knowledge if they have been given supervision or instruction concerning the use of the appliance in a safe way and understand the hazards involved. Children of less than 8 years of age and persons with very extensive and complex disabilities shall be kept away from the appliance unless continuously supervised. Children must not play with the appliance. Keep all packaging away from children and dispose of it appropriately. Children shall not carry out cleaning and user maintenance of the appliance without supervision. If the appliance has a child safety device, it should be activated.

⚠ **WARNING:** The appliance and its accessible parts become hot during use. Care should be taken to avoid touching heating elements.

⚠ **WARNING:** Ensure that the appliance is switched off before replacing the lamp to avoid the possibility of electric shock.

⚠ If the supply cord is damaged, it must be replaced with an identical one by the manufacturer, its service agent or similarly qualified persons in order to avoid a hazard - risk of electrical shock.

⚠ This appliance is for household use only. Do not change the specification of this appliance.

⚠ To remove the shelf supports first pull the front of the shelf support and then the rear end away from the side walls. Install the shelf supports in the opposite sequence.

⚠ Always cook with the oven door closed. Use oven gloves to remove pans and accessories.

⚠ Do not use a steam cleaner to clean the appliance. Do not use harsh abrasive cleaners or sharp metal scrapers to clean the glass door since they can scratch the surface, which may result in shattering of the glass.

⚠ The means for disconnection must be incorporated in the fixed wiring in accordance with the wiring rules.

⚠ Use only the food sensor (core temperature sensor) recommended for this appliance (if applicable).

## Permitted use

⚠ Risk of injury, burns, electric shock, fire, explosion or damage to the appliance.

⚠ This appliance is for cooking purposes only. It must not be used for other purposes, for example room heating.

⚠ Do not let the appliance stay unattended during operation. Deactivate the appliance after each use. Make sure that the ventilation openings are not blocked.

⚠ Keep clothes or other flammable materials away from the appliance, until all the components have cooled down completely - risk of fire.

⚠ If the appliance is installed behind a furniture panel (e.g. a door) make sure the door is never closed when the appliance operates. Heat and moisture can build up behind a closed furniture panel and cause subsequent damage to the appliance, the furniture or the floor. Do not close the furniture panel until the appliance has cooled down after use.

⚠ Do not operate the appliance with wet hands or when it has contact with water. Do not apply pressure on the open door. Be careful when you remove the door from the appliance. The door is heavy. Do not use the appliance as a work surface or as a storage surface.

⚠ Be careful when you open the appliance door while the appliance is in operation. Hot air can release. Do not put flammable products or items that are wet with flammable products in, near or on the appliance. When you place food into hot oil, it may splash. Do not let sparks or open flames to come in contact with the appliance when you open the door. Open the appliance door carefully. The use of ingredients with alcohol can cause a mixture of alcohol and air.

⚠ To prevent damage or discoloration to the enamel:

- Do not put ovenware or other objects in the appliance directly on the bottom.
- Do not put aluminium foil directly on the bottom of cavity of the appliance.

- Do not put water directly into the hot appliance.
- do not keep moist dishes and food in the appliance after you finish the cooking.
- be careful when you remove or install the accessories.

⚠ Use a deep pan for moist cakes. Fruit juices cause stains that can be permanent. Discoloration of the enamel or stainless steel has no effect on the performance of the appliance.

⚠ Clean regularly the appliance to prevent the deterioration of the surface material. Before maintenance, deactivate the appliance and disconnect from the mains. Ensure the appliance is cooled down before any cleaning or maintenance - risk of burn.

Be careful when you remove the door from the appliance. The door is heavy. There is also the risk that the glass panels can break. Replace immediately the door glass panels when they are damaged. Contact the Authorised Service Centre.

⚠ Clean the appliance with a moist soft cloth. Use only neutral detergents. Do not use abrasive products, abrasive cleaning pads, solvents or metal objects. Do not clean the catalytic enamel with detergents (if applicable). Fat and food remaining in the appliance can cause fire. Do not remove the knobs from the appliance (if applicable). If you use an oven spray, follow the safety instructions on its packaging.

## Installation

⚠ The appliance must be handled and installed by two or more persons - risk of injury. Always use safety gloves and enclosed footwear - risk of cuts.

⚠ Installation, including water supply (if any) and electrical connections, service or repair operation that involves the removal of a cover which gives protection against exposure to microwave energy (if any) and repairs must be carried out by the authorised installer. Follow the assembly instructions supplied with the appliance. Remove all the packaging. Make sure that the appliance has not been damaged during transport. In the event of problems, contact the dealer or your nearest Authorised Service Centre. Do not install or use a damaged appliance.

⚠ Install the appliance in a safe and suitable place that meets installation


requirements. Do not use the appliance before installing it in the built-in structure. Do not pull the appliance by the handle. Keep the minimum distance from other appliances and units. Before mounting the appliance, check if the oven door opens without restraint.


⚠ Ensure that the appliance is switched off and disconnected from the power supply before performing any maintenance operation - risk of electric shock. During installation, make sure the appliance does not damage the power cable - risk of fire or electric shock. Only activate the appliance when the installation has been completed.


⚠ Do not obstruct the minimum gap between the worktop and the upper edge of the oven - risk of burns.


## Electrical warnings

⚠ Risk of fire and electric shock.

 Make sure that the parameters on the rating plate are compatible with the electrical ratings of the mains power supply.

 Do not use extension leads, multi-plug sockets or adapters. Do not operate the appliance if it has a damaged power cable or plug, if it is not working properly, or if it has been damaged or dropped. The appliance must be earthed. Always use a correctly installed shockproof socket. The shock protection of live and insulated parts must be fastened in such a way that it cannot be removed without tools. The electrical components must not be accessible to the user after installation.


 The electrical installation must have an isolation device which lets you disconnect the appliance from the mains at all poles. The isolation device must have a contact opening width of minimum 3 mm. Use only correct isolation devices: line protecting cutouts, fuses (screw type fuses removed from the holder), earth leakage trips and contactors.

 Connect the mains plug to the mains socket only at the end of the installation.

Fully close the appliance door before you connect the mains plug to the mains socket. Make sure that there is access to the mains plug after the installation. If the mains socket is loose, do not connect the mains plug. Do not pull the mains cable to disconnect the appliance. Always pull the mains plug. Do not let mains cables touch or come near the appliance door or the niche below the appliance, especially when it operates or the door is hot.


 To replace the power cable, contact the Authorized Service Centre.

 This product contains a light source of energy efficiency class G.


 Concerning the lamp(s) inside this product and spare part lamps sold separately: These lamps are intended to withstand extreme physical conditions in household appliances, such as temperature, vibration, humidity, or are intended to signal information about the operational status of the appliance. They are not intended to be used in other applications and are not suitable for household room illumination.

## Environmental concerns

### SAFETY WARNINGS


 Before disposal, disconnect the appliance from the mains supply. Cut off the mains electrical cable close to the appliance and dispose of it. Remove the door catch to prevent children or pets from becoming trapped in the appliance - risk of injury or suffocation.

### DISPOSAL OF PACKAGING MATERIALS

Recycle materials with the symbol . Put the packaging in relevant containers to recycle it.

### SCRAPPING OF HOUSEHOLD APPLIANCES

Help protect the environment and human health by recycling waste of electrical and

electronic appliances. Do not dispose of appliances marked with the symbol  with the household waste. Return the product to your local recycling facility or contact your municipal office.

### ENERGY SAVING TIPSS

**NOTE:** This appliance has features which help you save energy during everyday cooking.

Make sure that the oven door is closed properly when the oven operates. Do not open the door too often during cooking. Keep the door gasket clean and make sure it is well fixed in its position. Use metal dishes to improve energy saving. When possible, do

not preheat the oven before you put the food inside.

When the cooking duration is longer than 30 minutes, reduce the oven temperature to minimum 3 - 10 minutes before the end of the cooking time, depending on the duration of the cooking. The residual heat inside the oven will continue to cook.

Use the residual heat to warm up other dishes. Keep breaks between baking as short as possible when you prepare few dishes at one time. Choose the lowest possible temperature setting to use residual heat and keep a meal warm.


When possible, use the cooking functions with fan to save energy.

If a programme with the Duration or End Time selection is activated and the cooking time is longer than 30 minutes, the heating elements automatically deactivate earlier in some oven functions (if applicable).




When possible, turn off the lamp during cooking. Turn it on only when you need it.

Moist Fan Baking (if applicable): Function designed to save energy during cooking. When you use this function the lamp automatically turns off.

## Care and cleaning

 **Warning!** Refer to Safety chapters.

### Notes on cleaning

 <p><b>Cleaning Agents</b></p>	<p>Clean the front of the appliance only with a microfibre cloth with warm water and a mild detergent. Clean and check the door gasket around the frame of the cavity.</p> <hr/> <p>Use a cleaning solution to clean metal surfaces.</p> <hr/> <p>Clean stains with a mild detergent.</p>
 <p><b>Everyday Use</b></p>	<p>Clean the cavity after each use. Fat accumulation or other residue may cause fire.</p> <hr/> <p>Moisture can condense in the appliance or on the door glass panels. To decrease the condensation, let the appliance work for 10 minutes before cooking. Do not store the food in the appliance for longer than 20 minutes. Dry the cavity only with a microfibre cloth after each use.</p>
 <p><b>Accessories</b></p>	<p>Clean all accessories after each use and let them dry. Use only a microfibre cloth with warm water and a mild detergent. Do not clean the accessories in a dishwasher.</p> <hr/> <p>Do not clean the non-stick accessories using abrasive cleaner or sharp-edged objects.</p>



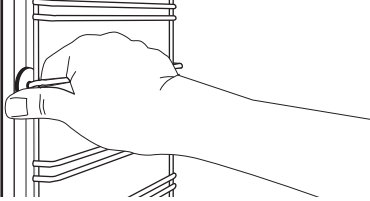
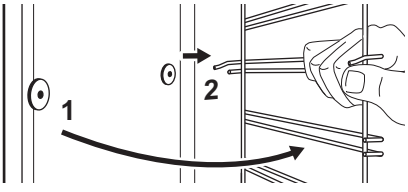
**How to clean: Cavity embossment**

Clean the cavity embossment to remove limestone residue after cooking with steam.

Step 1	Step 2	Step 3
Pour: 250 ml of white vinegar into the cavity embossment. Use maximum 6% vinegar without any additives.	Let the vinegar dissolve the limestone residue at the ambient temperature for 30 minutes.	Clean the cavity with warm water and a soft cloth.
For the function: SteamBake clean the oven for every 5 - 10 cooking cycles.		


**How to remove: Shelf supports**

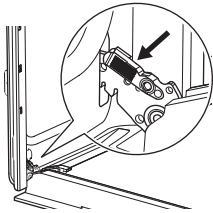
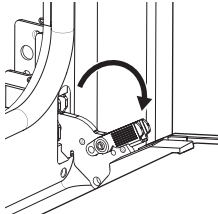
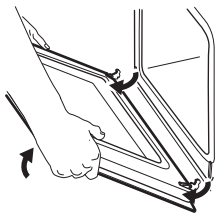

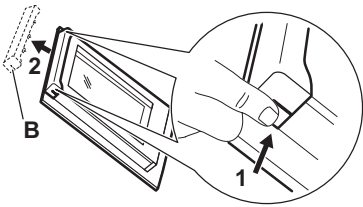

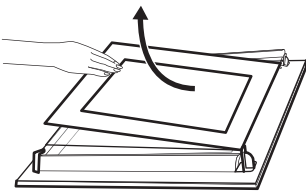
Remove the shelf supports to clean the oven.

<b>Step 1</b>	Turn off the oven and wait until it is cold.	
<b>Step 2</b>	Pull the front of the shelf support away from the side wall.	
<b>Step 3</b>	Pull the rear end of the shelf support away from the side wall and remove it.	
<b>Step 4</b>	Install the shelf supports in the opposite sequence.	

**How to remove and install: Door**

The oven door has three glass panels. You can remove the oven door and the internal glass panels to clean them. Read the whole "Removing and installing door" instruction before you remove the glass panels.

 **Caution!** Do not use the oven without the glass panels.

<p><b>Step 1</b></p>	<p>Open the door fully and hold both hinges.</p>	
<p><b>Step 2</b></p>	<p>Lift and pull the latches until they click.</p>	
		
<p><b>Step 3</b></p>	<p>Close the oven door halfway to the first opening position. Then lift and pull to remove the door from its seat.</p>	
		
<p><b>Step 4</b></p>	<p>Put the door on a soft cloth on a stable surface.</p>	
		
<p><b>Step 5</b></p>	<p>Hold the door trim (B) on the top edge of the door at the two sides and push inwards to release the clip seal.</p>	
		
<p><b>Step 6</b></p>	<p>Pull the door trim to the front to remove it.</p>	
		
<p><b>Step 7</b></p>	<p>Hold the door glass panels by their top edge and carefully pull them out one by one. Start from the top panel. Make sure the glass slides out of the supports completely.</p>	
		

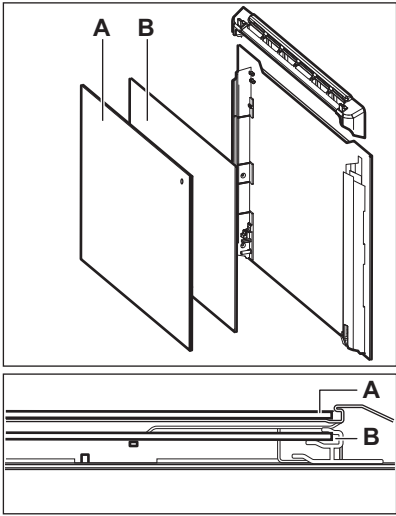
<b>Step 8</b>	Clean the glass panels with water and soap. Dry the glass panels carefully. Do not clean the glass panels in the dishwasher.
<b>Step 9</b>	After cleaning, install the glass panels, the door trim and the oven door, close the latches on the both hinges.
If the door is installed correctly, you will hear a click when closing the latches.	

Make sure that you put the glass panels (A and B) back in the correct sequence. Check for the symbol / printing on the side of the glass panel, each of the glass panels looks different to make the disassembly and assembly easier.

The screen-printing zone must face the inner side of the door. Make sure that after the installation the surface of the glass panel frame on the screen-printing zones is not rough when you touch it.

When installed correctly the door trim clicks.

Make sure that you install the middle panel of glass in the seats correctly.



**How to replace: Lamp**

**⚠ Warning!** Risk of electric shock. The lamp can be hot.

Always hold the halogen lamp with a cloth to prevent grease residue from burning on the lamp.

<b>Before you replace the lamp:</b>		
<b>Step 1</b>	<b>Step 2</b>	<b>Step 3</b>
Turn off the oven. Wait until the oven is cold.	Disconnect the oven from the mains.	Put a cloth on the bottom of the cavity.

**Back lamp**

<b>Step 1</b>	Turn the glass cover to remove it.
---------------	------------------------------------

<b>Step 2</b>	Clean the glass cover.
<b>Step 3</b>	Replace the lamp with a suitable 300 °C heat-resistant lamp.
<b>Step 4</b>	Install the glass cover.

## IKEA guarantee

### How long is the IKEA guarantee valid?

This guarantee is valid for **5 years** from the original date of purchase of your appliance at IKEA. The original sales receipt is required as proof of purchase. If service work is carried out under guarantee, this will not extend the guarantee period for the appliance.

### Who will execute the service?

IKEA service provider will provide the service through its own service operations or authorized service partner network.

### What does this guarantee cover?

The guarantee covers faults of the appliance, which have been caused by faulty construction or material faults from the date of purchase from IKEA. This guarantee applies to domestic use only. The exceptions are specified under the headline "What is not covered under this guarantee?" Within the guarantee period, the costs to remedy the fault e.g. repairs, parts, labour and travel will be covered, provided that the appliance is accessible for repair without special expenditure. On these conditions the EU guidelines (Nr. 99/44/EG) and the respective local regulations are applicable. Replaced parts become the property of IKEA.

### What will IKEA do to correct the problem?

IKEA appointed service provider will examine the product and decide, at its sole discretion, if it is covered under this guarantee. If considered covered, IKEA service provider or its authorized service partner through its own service operations, will then, at its sole discretion, either repair the defective

product or replace it with the same or a comparable product.

### What is not covered under this guarantee?

- Normal wear and tear.
- Deliberate or negligent damage, damage caused by failure to observe operating instructions, incorrect installation or by connection to the wrong voltage, damage caused by chemical or electro-chemical reaction, rust, corrosion or water damage including but not limited to damage caused by excessive lime in the water supply, damage caused by abnormal environmental conditions.
- Consumable parts including batteries and lamps.
- Non-functional and decorative parts which do not affect normal use of the appliance, including any scratches and possible color differences.
- Accidental damage caused by foreign objects or substances and cleaning or unblocking of filters, drainage systems or soap drawers.
- Damage to the following parts: ceramic glass, accessories, crockery and cutlery baskets, feed and drainage pipes, seals, lamps and lamp covers, screens, knobs, casings and parts of casings. Unless such damages can be proved to have been caused by production faults.
- Cases where no fault could be found during a technician's visit.
- Repairs not carried out by our appointed service providers and/or an authorized service contractual partner or where non-original parts have been used.

- Repairs caused by installation which is faulty or not according to specification.
- The use of the appliance in a non-domestic environment i.e. professional use.
- Transportation damages. If a customer transports the product to their home or other address, IKEA is not liable for any damage that may occur during transport. However, if IKEA delivers the product to the customer's delivery address, then damage to the product that occurs during this delivery will be covered by this guarantee.
- Cost for carrying out the initial installation of the IKEA appliance. However, if an IKEA service provider or its authorized service partner repairs or replaces the appliance under the terms of this guarantee, the service provider or its authorized service partner will re-install the repaired appliance or install the replacement, if necessary.

This restriction do not apply to fault-free work carried out by a qualified specialist using our original parts in order to adapt the appliance to the technical safety specifications of another EU country.

### How country law applies

The IKEA guarantee gives you specific legal rights, which covers or exceed local demands. However these conditions do not limit in any way consumer rights described in the local legislation.

### Area of validity

For appliances which are purchased in one EU country and taken to another EU country, the services will be provided in the framework of the guarantee conditions normal in the new country. An obligation to carry out services in the framework of the guarantee exists only if the appliance complies and is installed in accordance with:

- the technical specifications of the country in which the guarantee claim is made;
- the Assembly Instructions and User Manual Safety Information;

### The dedicated After Sales Service for IKEA appliances:

Please do not hesitate to contact IKEA After Sales Service to:

1. make a service request under this guarantee;
2. ask for clarification on installation of the IKEA appliance in the dedicated IKEA kitchen furniture. The service won't provide clarifications related to:
  - the overall IKEA kitchen installation;
  - connections to electricity (if machine comes without plug and cable), to water and to gas since they have to be executed by an authorized service engineer.
3. ask for clarification on user manual contents and specifications of the IKEA appliance.

To ensure that we provide you with the best assistance, please read carefully the Assembly Instructions and/or the User Manual section of this booklet before contacting us.


### How to reach us if you need our service



Please refer to the last page of this manual for the full list of IKEA appointed contacts and relative national phone numbers.



In order to provide you with a quicker service, we recommend that you use the specific phone numbers listed at the end of this manual. Always refer to the numbers listed in the booklet of the specific appliance you need an assistance for. Before calling us, assure that you have to hand the IKEA article number (8 digit code) and the Serial Number (8 digit code that can be found on the rating plate) for the appliance of which you need our assistance.

 **SAVE THE SALES RECEIPT!** It is your proof of purchase and required for the guarantee to apply. Note that the receipt reports also the IKEA article name and number (8 digit code) for each of the appliances you have purchased.

**Do you need extra help?**

For any additional questions not related to After Sales of your appliances, please contact our nearest IKEA store call centre. We recommend you read the appliance documentation carefully before contacting us.

## Veiligheidsinformatie

Lees zorgvuldig de meegeleverde instructies voordat je het apparaat installeert en gebruikt. De fabrikant is niet verantwoordelijk voor verwondingen of schade die voortvloeien uit de onjuiste installatie of het onjuiste gebruik. Bewaar de instructies altijd op een veilige en toegankelijke plek voor toekomstig gebruik.

### VEILIGHEIDSWAARSCHUWINGEN

⚠ Dit apparaat kan worden gebruikt door kinderen van 8 jaar en ouder en door mensen met een beperkt lichamelijk, zintuiglijk of verstandelijk vermogen of een gebrek aan ervaring en kennis, indien zij onder toezicht staan of instructies hebben gekregen over het veilig gebruiken van het apparaat en indien zij de gevaren begrijpen. Kinderen jonger dan 8 jaar en personen met zware en complexe beperkingen dienen altijd uit de buurt van het apparaat te worden gehouden, tenzij ze voortdurend onder toezicht staan.

Kinderen moeten niet met het apparaat spelen. Houd alle verpakking uit de buurt van kinderen en gooi het op passende wijze weg. Kinderen mogen zonder toezicht geen reinigings- en onderhoudswerkzaamheden aan het apparaat uitvoeren. Als het apparaat is voorzien van een kinderslot, dient dit te worden geactiveerd.

⚠ WAARSCHUWING: Het apparaat en de toegankelijke onderdelen ervan worden heet tijdens het gebruik. U dient te voorkomen de verwarmingselementen aan te raken.

⚠ WAARSCHUWING: Zorg ervoor dat het apparaat is uitgeschakeld voordat u de lamp vervangt om elektrische schokken te voorkomen.

⚠ Als de voedingskabel beschadigd is, moet deze door de fabrikant, diens servicevertegenwoordiger of door vergelijkbare gekwalificeerde personen worden vervangen, om gevaar voor elektrische schokken te voorkomen.

- ⚠ Dit apparaat is uitsluitend bestemd voor huishoudelijk gebruik. De specificatie van dit apparaat niet wijzigen.
- ⚠ Om de inschuifrailen te verwijderen trek eerst de voorkant van de inschuifrail en dan de achterkant uit de zijwanden. Plaats de inschuifrails in omgekeerde volgorde.
- ⚠ Kook altijd met een gesloten oven deur. Gebruik ovenhandschoenen om pannen en accessoires te verwijderen.
- ⚠ Gebruik geen stoomreiniger om het apparaat schoon te maken. Gebruik nooit agressieve reinigingsmiddelen of scherpe metalen schrappers om de glazen deur schoon te maken. Deze kunnen krassen veroorzaken op het oppervlak, waardoor het glas zou kunnen breken.
- ⚠ De middelen voor ontkoppeling moeten worden geïncorporeerd in de vaste bedrading, in overeenstemming met de bedradingsregels.
- ⚠ Gebruik alleen de voedselsensor (kerntemperatuursensor) die voor dit apparaat wordt aangeraden (indien van toepassing).

## Toegestaan gebruik

- ⚠ Gevaar voor letsel, brandwonden, elektrische schokken, brand, explosie of schade aan het apparaat.
- ⚠ Dit apparaat is uitsluitend bestemd om mee te koken. Het mag niet worden gebruikt voor andere doeleinden, bijvoorbeeld het verwarmen van de ruimte.
- ⚠ Laat het apparaat tijdens de werking niet onbeheerd achter. Schakel het apparaat na elk gebruik uit. Zorg ervoor dat de ventilatieopeningen niet geblokkeerd worden.
- ⚠ Houd kleding of andere brandbare materialen uit de buurt van het apparaat, totdat alle onderdelen volledig zijn afgekoeld – brandgevaar.
- ⚠ Als het apparaat achter een meubelpaneel gemonteerd is (bijv. een deur), zorg er dan voor dat de deur nooit gesloten is als het apparaat in werking is. Warmte en vocht kunnen achter een gesloten meubelpaneel ophopen en schade aan het apparaat, de meubels of de vloer veroorzaken. Sluit het meubelpaneel niet tot het apparaat afgekoeld is na gebruik.
- ⚠ Gebruik het apparaat niet met natte handen of als het contact maakt met water. Oefen geen druk uit op de open deur. Wees voorzichtig wanneer u de deur van het apparaat verwijdert. De deur is zwaar. Gebruik het apparaat niet als werkblad of als opslagoppervlak.



⚠ Wees voorzichtig met het openen van de deur van het apparaat wanneer het apparaat in werking is. Er kan hete lucht vrijkomen. Plaats geen ontvlambare producten of artikelen die vochtig zijn met ontvlambare producten in, bij of op het apparaat. Als u voedsel in hete olie plaatst, kan het spatten. Laat geen vonken of open vlammen in contact met het apparaat komen wanneer u de deur opent. Open de deur van het apparaat voorzichtig. Het gebruik van ingrediënten met alcohol kan een mengsel van alcohol en lucht veroorzaken.

⚠ Om schade of verkleuring van het email te voorkomen:

- plaats ovenschalen of andere voorwerpen niet rechtstreeks op de bodem van het apparaat.
- leg geen aluminiumfolie op de bodem van de ruimte in het apparaat.
- plaats geen water direct in het hete apparaat.
- bewaar geen vochtige gerechten en voedsel in het apparaat nadat u klaar bent met koken.
- wees voorzichtig bij het verwijderen of bevestigen van accessoires.

⚠ Gebruik een diepe pan voor vochtige taarten. Vruchtensappen veroorzaken vlekken die permanent kunnen zijn. Verkleuring van het email of roestvrij staal is

niet van invloed op de werking van het apparaat.

⚠ Reinig het apparaat regelmatig om te voorkomen dat het materiaal van het oppervlak achteruitgaat. Schakel het apparaat uit en trek de stekker uit het stopcontact voordat je onderhoudshandelingen verricht. Zorg ervoor dat het apparaat is afgekoeld voordat je het reinigt of onderhoudt – risico op brandwonden. Wees voorzichtig wanneer u de deur van het apparaat verwijdert. De deur is zwaar. Het risico bestaat dat de glasplaten breken. Vervang de glasplaten van de deur onmiddellijk als ze beschadigd zijn. Neem contact op met de erkende servicedienst.

⚠ Reinig het apparaat met een vochtige zachte doek. Gebruik alleen neutrale schoonmaakmiddelen. Gebruik geen schuurmiddelen, schuursponsjes, oplosmiddelen of metalen voorwerpen. Reinig het katalytische email niet met schoonmaakmiddelen (indien van toepassing). Vet en voedsel dat in het apparaat achterblijft, kan brand veroorzaken. Verwijder de knoppen niet uit het apparaat (indien van toepassing). Volg als je een ovenspray gebruikt de veiligheidsinstructies op de verpakking.

## Installeren

⚠ Het apparaat moet door twee of meer personen worden gehanteerd en geïnstalleerd – risico op letsel. Gebruik altijd veiligheidshandschoenen en gesloten schoeisel – gevaar van snijden.

⚠ Installatie, inclusief watertoevoer (indien aanwezig) en elektrische aansluitingen, service- of reparatiewerkzaamheden waarbij een deksel wordt verwijderd dat bescherming biedt tegen blootstelling aan microgolvenenergie (indien aanwezig) en reparaties moeten worden uitgevoerd door

de bevoegde installateur. Volg de montage-instructies die zijn meegeleverd met het apparaat. Verwijder de verpakking volledig. Controleer of het apparaat niet beschadigd is geraakt tijdens het transport. Neem in geval van problemen contact op met de dealer of het dichtstbijzijnde erkende servicecentrum. Installeer of gebruik geen beschadigd apparaat.

⚠ Installeer het apparaat op een veilige en geschikte plaats die aan alle installatie-eisen voldoet. Gebruik het apparaat niet voordat u het in de ingebouwde constructie installeert.

Trek niet aan het apparaat bij de handgreep. Houd de minimale afstand tot andere apparaten en eenheden aan. Controleer, voordat u het apparaat monteert, of de ovendeur onbelemmerd opent.

⚠️ Zorg ervoor dat het apparaat is uitgeschakeld en losgekoppeld van de stroomvoorziening voordat je onderhoudswerkzaamheden uitvoert - risico op elektrische schokken. Zorg er tijdens de

installatie voor dat het apparaat de stroomkabel niet beschadigt – risico op brand of elektrische schokken. Schakel het apparaat alleen in als de installatie is voltooid.

⚠️ Blokkeer de minimale opening tussen het werkblad en de bovenrand van de oven niet – risico op brandwonden.

## Elektrische waarschuwingen

⚠️ Gevaar voor brand en elektrische schokken.

⚠️ Zorg ervoor dat de parameters op het vermogensplaatje overeenkomen met het elektrische vermogen van de netstroom.

⚠️ Gebruik geen verlengsnoeren, stekkerdozen of adapters. Gebruik het apparaat niet als het een beschadigde voedingskabel of stekker heeft, als het niet goed werkt of als het beschadigd of gevallen is. Het apparaat moet geaard zijn. Gebruik altijd een correct geïnstalleerd schokbestendig stopcontact. De schokbescherming van spanningvoerende en geïsoleerde onderdelen moet zodanig worden bevestigd dat deze niet zonder gereedschap kan worden verwijderd. De elektrische componenten mogen na installatie niet toegankelijk zijn voor de gebruiker.

⚠️ De elektrische installatie moet voorzien zijn van een isolatieapparaat waarmee je het apparaat met alle polen van het stroomnet kunt loskoppelen. Het isolatieapparaat moet een contactopening hebben van minimaal 3 mm. Gebruik enkel correcte isolatievoorzieningen: stroomonderbrekers, zekeringen (schroefzekeringen moeten uit de houder worden verwijderd), aardlekschakelaars en contactgevers.

⚠️ Sluit de stekker pas aan op het stopcontact aan het einde van de installatie. Sluit de deur van het apparaat volledig voordat je de stekker in het stopcontact steekt. Zorg ervoor dat de stekker na montage bereikbaar is. Sluit de stekker niet aan als het stopcontact loszit. Trek niet aan de netsnoer om het apparaat los te koppelen. Trek altijd aan de stekker. Laat de stroomkabel niet in aanraking komen met de deur van het apparaat of de nis onder het apparaat, met name niet als deze in werking is of als de deur heet is.

⚠️ Neem contact op met onze erkende servicedienst of de binnenverlichting te vervangen.

⚠️ Dit product bevat een lichtbron van energie-efficiëntieklasse G.


⚠️ Met betrekking tot de lamp(en) in dit product en reservelampen die afzonderlijk worden verkocht: Deze lampen zijn bedoeld om bestand te zijn tegen extreme fysieke omstandigheden in huishoudelijke apparaten, zoals temperatuur, trillingen, vochtigheid, of zijn bedoeld om informatie te geven over de operationele status van het apparaat. Ze zijn niet bedoeld voor gebruik in andere toepassingen en zijn niet geschikt voor verlichting in huishoudelijke ruimten.

## Het milieuperspectief

### VEILIGHEIDSWAARSCHUWINGEN

⚠ Voordat je het apparaat weggooit, moet je het loskoppelen van de netvoeding. Snijd het netsnoer vlak bij het apparaat af en gooi het weg. Verwijder de deurvergrendeling om te voorkomen dat kinderen of huisdieren vast komen te zitten in het apparaat – risico op letsel of verstikking.

### AFVOEREN VAN VERPAKKINGSMATERIALEN

Recycle materialen met het symbool . Plaats de verpakking in relevante containers om het te recyclen.

### AFKEUREN VAN HUISHOUDELIJKE APPARATEN

Bescherm het milieu en de volksgezondheid en recycle het afval van elektrische en elektronische apparaten. Gooi apparaten gemarkeerd met het symbool  niet weg met het huishoudelijk afval. Breng het product naar de milieustraat bij jou in de buurt of neem contact op met de gemeente.

### TIPS VOOR ENERGIEBESPARING

**OPMERKING:** Dit apparaat heeft functies die je helpen energie te besparen tijdens het dagelijks koken.

Zorg ervoor dat de ovendeur goed gesloten is als je de oven in werking stelt. Open de deur niet te vaak tijdens de werking ervan. Houd het deurrubber schoon en zorg ervoor dat het goed op zijn plaats vastzit. Gebruik metalen schalen om meer energie te besparen. Indien mogelijk de oven niet

voorverwarmen voordat u er voedsel in plaatst.

Verlaag bij een bereidingsduur langer dan 30 minuten de oventemperatuur met minimaal 3 - 10 minuten, afhankelijk van de bereidingsduur voordat de kooktijd verstrijkt. De restwarmte in de oven zal blijven koken.

Je kunt de restwarmte gebruiken om andere maaltijden op te warmen. Houd de onderbrekingen tussen het bakken zo kort mogelijk als u een aantal gerechten tegelijkertijd bereidt. Kies de laagst mogelijke temperatuurinstelling om de restwarmte te gebruiken en een maaltijd warm te houden.

Gebruik indien mogelijk de bereidingsfuncties met hete lucht om energie te besparen.

Bij sommige ovenfuncties worden, als een programma met tijdselectie (Duur of Einde) in werking is en de bereidingstijd langer is dan 30 minuten, de verwarmingselementen automatisch eerder uitgeschakeld (indien van toepassing).

Zet de lamp zo mogelijk uit tijdens het koken. Doe het aan als je het nodig hebt.


Warmelucht (vochtig) (indien van toepassing): Functie is ontworpen om tijdens de bereiding energie te besparen. Als je deze functie gebruikt, schakelt de verlichting automatisch uit.


## Onderhoud en reiniging

 **WAARSCHUWING!** Raadpleeg de hoofdstukken Veiligheid.

**Opmerkingen over de reiniging**

 <p><b>Reinigingsmiddelen</b></p>	Reinig de voorkant van het apparaat uitsluitend met een microvezeldoek met warm water en een mild reinigingsmiddel. Reinig en controleer de deurpakking rond het frame van de uitsparing.
	Gebruik een reinigungsoplossing om metalen oppervlakken te reinigen.
	Reinig vlekken met een mild reinigingsmiddel.

 <p><b>Dagelijks gebruik</b></p>	Reinig de uitsparing telkens na gebruik. Vetophoping of andere resten kunnen brand veroorzaken.
	Vocht kan in de oven of op de glazen deurpanelen condenseren. Om de condens te verminderen, dien je het apparaat gedurende 10 minuten te laten werken voordat je er iets in plaatst. Bewaar het voedsel niet langer dan 20 minuten in het apparaat. Droog de ruimte na elk gebruik uitsluitend met een microvezeldoek.

 <p><b>Accessoires</b></p>	Reinig alle accessoires na elk gebruik en laat ze drogen. Gebruik alleen een zachte doek met warm water en een mild reinigingsmiddel. De accessoires niet in een afwasmachine reinigen.
	Reinig de antiaanbakaccessoires niet met agressieve reinigungsmiddelen of scherpe voorwerpen.

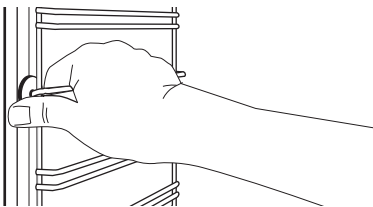
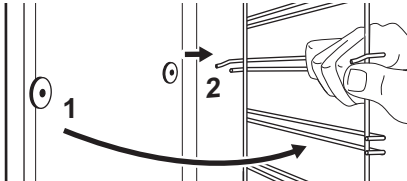
**Hoe schoon te maken: Uitsparing in de ovenruimte**

Reinig de uitsparing van de ovenruimte om kalksteenresten te verwijderen na het koken met stoom.

Stap 1	Stap 2	Stap 3
Giet 250 ml witte azijn in de uitsparing van de ovenruimte. Gebruik maximaal 6% azijn zonder toevoegingen.	Laat de azijn de kalksteenresten gedurende 30 minuten oplossen bij omgevingstemperatuur.	Reinig de ruimte met warm water en een zachte doek.
Voor de functie: SteamBake reinig de oven elke 5-10 kookcycli.		

**Hoe te verwijderen: Inschuifrails/**

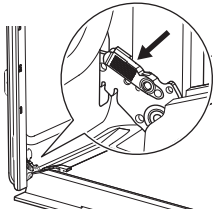
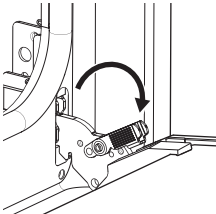
Verwijder de inschuifrails om de oven te reinigen.

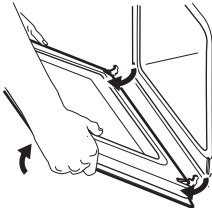
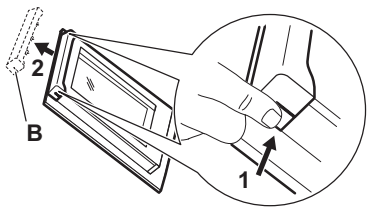
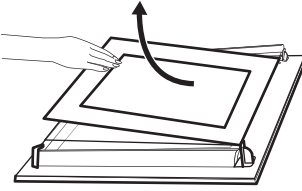
<p><b>Stap 1</b></p>	<p>Schakel de oven uit en wacht totdat deze is afgekoeld.</p>	
<p><b>Stap 2</b></p>	<p>Trek de inschuifrail bij de voorkant uit de zijwand.</p>	
<p><b>Stap 3</b></p>	<p>Trek de geleider bij de achterkant uit de zijwand en verwijder het.</p>	
<p><b>Stap 4</b></p>	<p>Plaats de inschuifrails in omgekeerde volgorde.</p>	

**Verwijderen en installeren: Deur**

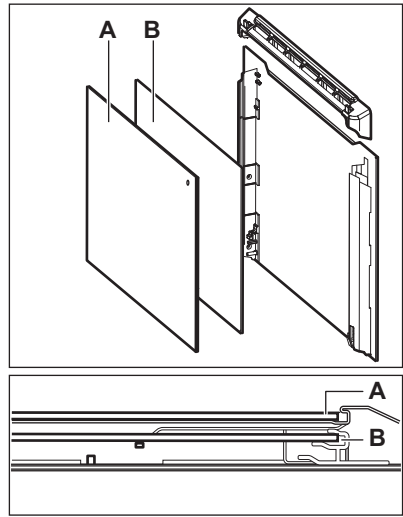
De oven deur beschikt over drie glasplaten. Je kunt de oven deur en de interne glasplaat verwijderen om het schoon te maken. Lees de volledige instructie 'Verwijderen van installatiedeur' voordat u de glasplaten verwijdert.

**⚠ Let op!** Gebruik de oven nooit zonder de glasplaten.

<p><b>Stap 1</b></p>	<p>Open de deur volledig en houd beide scharnieren vast.</p>	
<p><b>Stap 2</b></p>	<p>Til de vergrendelingen op en trek eraan totdat ze klikken.</p>	

<p><b>Stap 3</b></p>	<p>Sluit de ovendeur in de eerste opningsstand. Til hem daarna op en trek hem naar voren, verwijder hem dan van zijn plek.</p>	
<p><b>Stap 4</b></p>	<p>Plaats de deur op een zachte doek op een stabiele ondergrond.</p>	
<p><b>Stap 5</b></p>	<p>Pak de deurafdekking (B) aan de bovenkant van de deur aan beide kanten vast en druk deze naar binnen om de klemsluiting te ontgrendelen.</p>	
<p><b>Stap 6</b></p>	<p>Trek de deurlijst naar voren om hem te verwijderen.</p>	
<p><b>Stap 7</b></p>	<p>Houd de glasplaten van de deur bij de bovenkant vast en trek ze er voorzichtig een voor een uit. Begin bij de bovenste plaat. Zorg dat het glas volledig uit de geleiders schuift.</p>	
<p><b>Stap 8</b></p>	<p>Reinig de glasplaten met een sopje. Droog de glazen panelen zorgvuldig. Reinig de glasplaten niet in de vaatwasser.</p>	
<p><b>Stap 9</b></p>	<p>Installeer na het reinigen de glasplaten, het deurbeslag en de ovendeur en sluit de hendels op de beide scharnieren.</p>	
<p>Als de deur correct is geïnstalleerd, hoor je een klik bij het sluiten van de vergrendelingen.</p>		

Zorg ervoor dat je de glasplaten (A en B) weer in de juiste volgorde terugplaatst. Controleer het symbool/de print op de zijkant van de glasplaat. Iedere glasplaat is anders om het uit elkaar halen en in elkaar zetten eenvoudiger te maken. De zeefdrukzone moet naar de binnenkant van de deur gericht zijn. Zorg ervoor dat het oppervlak van de glasplaat op de bedrukte zijde na de installatie niet ruw aanvoelt. Als de deur correct wordt geïnstalleerd, klikt de rand van de deur. Zorg ervoor dat je de middelste glasplaat correct in de zittingen plaatst.



**Hoe te vervangen: Lamp**

**⚠ WAARSCHUWING!** Gevaar voor elektrische schokken. Het lampje kan heet zijn.

Houd de halogeenlamp altijd met een doek vast om te voorkomen dat er vetrestjes op de ovenlamp verbranden.

Voordat u de lamp vervangt:		
Stap 1	Stap 2	Stap 3
Schakel de oven uit. Wacht tot de oven afgekoeld is.	Trek de oven uit het stopcontact.	Plaats een doek op de bodem van de holte.

**Achterlamp**

<b>Stap 1</b>	Draai de glazen afdekking om die te verwijderen.
<b>Stap 2</b>	Reinig de glasafdekking.
<b>Stap 3</b>	Vervang de lamp door een geschikte 300 °C hittebestendige lamp.
<b>Stap 4</b>	Installeer het glazen deksel.

## IKEA GARANTIE

### Hoe lang is de garantie van IKEA geldig?

Deze garantie is geldig voor 5 jaar vanaf de originele datum van aankoop van Uw apparaat bij IKEA. De originele verkoopbon is benodigd als bewijs van aankoop. Indien onderhoudswerk is uitgevoerd onder de garantie, zal dit de garantie periode voor het apparaat niet verlengen.

### Wie zal de service uitvoeren?

De IKEA servicedienst zal de service uitvoeren via het eigen bedrijf of het erkende servicepartnernetwerk.

### Wat valt er onder de garantie?

De garantie dekt storingen van het apparaat, die veroorzaakt zijn door verkeerde constructie of materiaalfouten vanaf de aankoopdatum bij IKEA. Deze garantie is uitsluitend van toepassing bij huishoudelijk gebruik. De uitzonderingen worden onder de hoofding "Wat valt er niet onder deze garantie?" gespecificeerd. Binnen de garantieperiode worden er geen kosten om de storing te verhelpen aangerekend, d.w.z. reparaties, onderdelen, arbeidsloon en transport, op voorwaarde dat het apparaat toegankelijk is voor reparatie zonder speciale kosten en dat het defect betrekking heeft op verkeerde constructie of materiaalfouten die onder de garantie vallen. Op deze voorwaarden zijn de EG-richtlijnen (Nr. 99/44/EG) en de respectievelijke plaatselijke voorschriften van toepassing. Vervangen onderdelen worden het eigendom van IKEA.

### Wat zal IKEA doen om het probleem op te lossen?

De door IKEA aangestelde servicedienst zal het product onderzoeken en bepalen, dit uitsluitend ter eigen beoordeling, of het gedekt wordt door deze garantie. Als het gedekt blijkt te zijn, zal de IKEA servicedienst of de erkende servicepartner dan via het eigen bedrijf, uitsluitend ter eigen beoordeling, ofwel het defecte product

repareren of het vervangen door hetzelfde of een vergelijkbaar product.

### Wat valt er niet onder deze garantie?

- Normale slijtage.
- Opzettelijk aangebrachte schade of schade door verwaarlozing, schade veroorzaakt door het niet opvolgen van de bedieningshandleiding, onjuiste installatie of aansluiting op een verkeerd voltage, schade veroorzaakt door chemische of elektro-chemische reactie, roest, corrosie of waterschade, maar niet beperkt tot schade veroorzaakt door overmatig kalkgehalte van de watertoevoer, schade veroorzaakt door abnormale omgevingsomstandigheden.
- Verbruiksonderdelen, met inbegrip van batterijen en lampjes.
- Niet-functionele en decoratieve onderdelen die niet van invloed zijn op het normale gebruik van het apparaat, inclusief eventuele krassen en mogelijke kleurverschillen.
- Onvoorzien schade veroorzaakt door vreemde voorwerpen of stoffen en het reinigen of deblokken van filters, afvoersystemen of wasmiddellades.
- Schade aan de volgende onderdelen: glaskeramiek, accessoires, serviesgoed en bestekmandjes, toevoer- en afvoerpijpen, afdichtingen, lampen en lampenkapjes, schermen, knoppen, behuizingen en gedeeltes van behuizingen, tenzij kan worden aangetoond dat deze veroorzaakt zijn door fabricagefouten.
- Gevallen waarbij geen storing geconstateerd kon worden tijdens het bezoek van een technicus.
- Reparaties die niet zijn uitgevoerd door onze aange-stelde servicediensten en/of een erkende contractuele servicepartner of wanneer er niet-originele onderdelen gebruikt zijn.
- Reparaties die veroorzaakt zijn door installatie die verkeerd of niet in overeenstemming met de specificatie is uitgevoerd.



- Gebruik van het apparaat in niet-huishoudelijke omgeving d.w.z. professioneel gebruik.
- Transportschade. Indien het apparaat door een klant naar zijn huis of een ander adres vervoert, kan IKEA niet aansprakelijk gesteld worden voor eventuele transportschade. Indien IKEA het apparaat aflevert op het door de klant aangegeven adres, dan is eventuele schade die ontstaan is tijdens de aflevering gedekt door de garantie.
- Kosten voor de uitvoering van de installatie van het IKEA-apparaat. Indien de IKEA servicedienst of de erkende servicepartner het apparaat, binnen de voorwaarden van deze garantie, repareert of vervangt, zal de servicedienst of de erkende servicepartner, indien nodig, het gerepareerde apparaat of het vervangende apparaat installeren.

Deze beperking is niet van toepassing op foutloze werkzaamheden uitgevoerd door een gekwalificeerd specialist met gebruik van onze originele onderdelen teneinde het apparaat aan te passen aan de technische veiligheidsspecificaties van een ander EU-land.

**Hoe zijn de landelijke wetten van toepassing**

De garantie van IKEA geeft u specifieke wettelijke rechten, die op zijn minst voldoen aan alle plaatselijke wettelijke eisen die per land verschillend zijn.

**Gebied van geldigheid**

Voor apparaten die in een EU-land zijn aangeschaft en meegenomen worden naar een ander EU-land, zal de dienstverlening uitgevoerd worden in het kader van de garantievoorwaarden die in het nieuwe land gebruikelijk zijn. Een verplichting om diensten te verlenen in het kader van de garantie bestaat uitsluitend als:

- het apparaat en de installatie ervan voldoen aan de technische specificaties van het land waarin aanspraak gemaakt wordt op de garantie;

- het apparaat en de installatie ervan in overeenstemming zijn met de montage-instructies en de veiligheidsinformatie die in de gebruikershandleiding staan.

**De speciale Klantenservice voor apparaten van IKEA:**

Aarzel alstublieft niet om contact op te nemen met de speciale IKEA Klantenservice om:

1. een beroep te doen op deze garantie;
2. uitleg te vragen over de installatie van het IKEA apparaat in het daarvoor bedoelde keukenmeubel van IKEA. De service geeft u geen uitleg met betrekking tot:
  - de volledige installatie van uw IKEA keuken;
  - aansluitingen op het elektriciteitsnet (als het apparaat geleverd wordt zonder stekker en kabel), op de water- en gasleiding, want dit moet gedaan worden door een erkend installateur.
3. uitleg te vragen over de gebruikershandleiding en de specificaties van het IKEA apparaat.

Om ervoor te zorgen dat wij u de beste service verlenen, verzoeken wij u de montage-instructies en/of de gebruikershandleiding in dit boekje zorgvuldig te lezen voordat u contact met ons opneemt.

**Hoe kunt u ons bereiken als u hulp nodig hebt**



Op de laatste pagina van deze handleiding vindt u de volledige lijst van door IKEA erkende servicebedrijven met de bijbehorende nationale telefoonnummers.

**i** Om u sneller van dienst te kunnen zijn, adviseren wij u de specifieke telefoonnummers te bellen die aan het eind van deze handleiding vermeld zijn. Gebruik altijd de telefoonnummers die in het boekje staan van het apparaat waarvoor u assistentie nodig heeft. Voordat u ons belt, zorg ervoor dat u het IKEA-artikelnummer (8 cijfers) en het serienummer (8 cijfers die op het typeplaatje staan) bij de hand hebt voor het apparaat waarvoor u onze hulp nodig hebt.

**i** **BEWAAR DE KASSABON!**  
Dit is uw aankoopbewijs en nodig om de garantie te doen gelden. Op de kassabon staat ook de naam van het IKEA artikel en het nummer (8 cijfers) voor elk apparaat dat u gekocht heeft.

**Hebt u meer hulp nodig?**

Neem, voor alle andere vragen die geen betrekking hebben op de service voor apparaten, contact op met het call center van de dichtstbijzijnde vestiging van IKEA. Wij raden u aan de documentatie van het apparaat zorgvuldig te lezen voordat u contact met ons opneemt.

## Consignes de sécurité

Avant d'installer et d'utiliser cet appareil, lisez soigneusement les instructions fournies. Le fabricant ne pourra pas être tenu responsable des blessures et dégâts résultant d'une mauvaise installation ou utilisation. Conservez toujours les instructions dans un lieu sûr et accessible pour vous y référer ultérieurement.

### AVERTISSEMENTS DE SÉCURITÉ

⚠ Cet appareil peut être utilisé par des enfants âgés d'au moins 8 ans et par des personnes ayant des capacités physiques, sensorielles ou mentales réduites ou dénuées d'expérience ou de connaissance, s'ils sont correctement surveillés ou si des instructions relatives à l'utilisation de l'appareil en toute sécurité leur ont été données et s'ils comprennent les risques encourus. Les enfants de moins de 8 ans et les personnes ayant un handicap très important et complexe doivent être tenus à l'écart de l'appareil, à moins d'être surveillés en permanence. Ne laissez pas les enfants jouer avec l'appareil. Ne laissez pas les emballages à la portée des enfants et jetez-les convenablement. Les enfants ne doivent pas nettoyer ni entreprendre une opération de maintenance sur l'appareil sans surveillance. Si l'appareil est équipé d'un dispositif de sécurité enfants, nous vous recommandons de l'activer.

⚠ AVERTISSEMENT : L'appareil et ses parties accessibles deviennent chauds pendant l'utilisation. Veillez à ne pas toucher les éléments chauffants.

⚠ AVERTISSEMENT : Assurez-vous que l'appareil est éteint avant de remplacer l'ampoule pour éviter tout risque d'électrocution.

⚠ Si le câble d'alimentation est endommagé, il doit être remplacé par un cordon identique par le fabricant, son

prestataire de service après-vente ou par un professionnel qualifié afin d'éviter tout danger - risque d'électrocution.

⚠ Cet appareil est exclusivement destiné à une utilisation domestique. Ne modifiez pas les spécifications de cet appareil.

⚠ Pour retirer les supports de grille, tirez d'abord l'avant du support de grille, puis l'arrière à distance des parois latérales. Installez les supports de grille dans l'ordre inverse.

⚠ Cuisinez toujours avec la porte du four fermée. Utilisez des gants de cuisine pour retirer les casseroles et les accessoires.

⚠ N'utilisez pas de nettoyeur à vapeur pour nettoyer l'appareil. N'utilisez pas de produits abrasifs ni de racloirs pointus en métal pour nettoyer la porte en verre car ils peuvent rayer la surface, ce qui peut briser le verre.

⚠ Un moyen de déconnexion doit être prévu dans le câblage fixe conformément aux règles nationales d'installation.

⚠ Utilisez uniquement la sonde de cuisson recommandée pour cet appareil (le cas échéant).

## Utilisation autorisée

⚠ Risque de blessure, de brûlures, de décharge électrique, d'incendie, d'explosion ou de dommage matériel sur l'appareil.

⚠ Cet appareil est exclusivement destiné à un usage culinaire. Il ne doit pas être utilisé à d'autres fins, par exemple pour chauffer une pièce.

⚠ Ne laissez pas l'appareil sans surveillance durant son fonctionnement. Éteignez l'appareil après chaque utilisation. Assurez-vous que les orifices d'aération ne sont pas obstrués.

⚠ Tenez les vêtements ou autres matériaux inflammables éloignés de l'appareil, jusqu'à ce que tous les composants aient complètement refroidi - risque d'incendie.

⚠ Si l'appareil est installé derrière la paroi d'un meuble (par ex. une porte), veuillez à ce que la porte ne soit jamais fermée lorsque l'appareil fonctionne. La chaleur et l'humidité peuvent s'accumuler derrière la porte fermée du meuble et provoquer d'importants dégâts sur l'appareil, le meuble ou le sol. Ne fermez pas la paroi du meuble tant que l'appareil n'a pas refroidi.

⚠ N'utilisez pas l'appareil avec des mains mouillées ou en contact avec de l'eau. N'exercez pas de pression sur la porte ouverte. Soyez prudent lorsque vous retirez la porte de l'appareil. La porte est lourde. N'utilisez pas l'appareil comme plan de travail ou comme espace de rangement.

⚠ Soyez prudent lors de l'ouverture de la porte de l'appareil lorsque celui-ci fonctionne. De l'air chaud peut se dégager.

Ne placez pas de produits inflammables ou d'éléments imbibés de produits inflammables à l'intérieur, à proximité ou au-dessus de l'appareil. Lorsque vous placez des aliments dans de l'huile chaude, cela peut écla bousser. Ne laissez pas des étincelles ou des flammes nues entrer en contact avec l'appareil lorsque vous ouvrez la porte. Ouvrez la porte de l'appareil avec précaution. L'utilisation d'ingrédients avec de l'alcool peut provoquer un mélange d'alcool et d'air.

⚠ Pour éviter tout endommagement ou décoloration de l'émail :

- ne posez pas de plats allant au four ou d'autres objets directement dans le fond de l'appareil.
- ne placez jamais de feuilles d'aluminium directement sur le fond de la cavité de l'appareil.
- ne versez pas d'eau directement dans l'appareil chaud.
- ne conservez pas de plats et de nourriture humides dans l'appareil après avoir terminé la cuisson.
- Installez ou retirez les accessoires avec précautions.

⚠ Utilisez un plat à rôtir pour des gâteaux moelleux. Les jus de fruits provoquent des taches qui peuvent être permanentes. La

décoloration de l'émail ou de l'acier inoxydable est sans effet sur les performances de l'appareil.

⚠ Nettoyez régulièrement l'appareil afin de maintenir le revêtement en bon état. Avant toute opération d'entretien, désactivez l'appareil et débranchez la fiche secteur. Assurez-vous que l'appareil est refroidi avant tout nettoyage ou entretien, pour éviter les risques de brûlures. Soyez prudent lorsque vous retirez la porte de l'appareil. La porte est lourde. Les panneaux de verre risquent aussi de se casser. Remplacez immédiatement les panneaux de verre de la porte lorsqu'ils sont endommagés. Veuillez contacter le service après-vente agréé.

⚠ Nettoyez l'appareil avec un chiffon doux et humide. Utilisez uniquement des produits de lavage neutres. N'utilisez pas de produits abrasifs, de tampons à récurer, de solvants ou d'objets métalliques. Ne nettoyez pas l'émail catalytique (si présent) avec des détergents. Des graisses ou de la nourriture restant dans l'appareil peuvent provoquer un incendie. Ne retirez pas les manettes de l'appareil (le cas échéant). Si vous utilisez un spray pour four, suivez les consignes de sécurité figurant sur son emballage.

## Installation

⚠ L'appareil doit être manipulé et installé par deux personnes ou plus - risque de blessure. Utilisez toujours des gants de sécurité et des chaussures fermées pour éviter les risques de coupure.

⚠ L'installation, y compris l'arrivée d'eau (le cas échéant) et les raccordements électriques, la maintenance ou les réparations qui nécessitent le retrait d'un couvercle assurant la protection contre l'exposition à l'énergie du micro-ondes (le cas échéant) doivent être effectuées par l'installateur agréé. Suivez les instructions d'assemblage fournies avec l'appareil. Retirez

l'emballage entièrement. Assurez-vous que les appareils n'ont pas été endommagés pendant le transport. En cas de problème, contactez le revendeur ou votre service après-vente agréé le plus proche. N'installez pas et n'utilisez pas un appareil endommagé.

⚠ Installez l'appareil dans un lieu sûr et adapté répondant aux exigences d'installation. N'utilisez pas l'appareil avant de l'avoir installé dans la structure encastrée. Ne tirez pas l'appareil par la poignée. Respectez l'espacement minimal requis par rapport aux autres appareils et éléments.

Avant de monter l'appareil, vérifiez si la porte du four s'ouvre sans retenue.

⚠ Assurez-vous que l'appareil est éteint et débranché avant d'effectuer toute opération de maintenance - risque d'électrocution. Pendant l'installation, assurez-vous que l'appareil n'endommage pas le câble

d'alimentation - risque d'incendie ou de choc électrique. N'allumez l'appareil qu'une fois l'installation terminée.

⚠ N'obstruez pas l'espace minimum entre le plan de travail et le bord supérieur du four, pour éviter les risques de brûlures.

## Avertissements relatifs à l'électricité

⚠ Risque d'incendie ou d'électrocution.

⚠ Assurez-vous que les paramètres sur la plaque signalétique sont compatibles avec les étalonnages électriques de l'alimentation secteur.

⚠ N'utilisez pas de rallonges, de prises multiples ou d'adaptateurs. N'utilisez pas l'appareil s'il présente un câble d'alimentation ou une prise endommagés, s'il ne fonctionne pas correctement, s'il a été endommagé ou s'il est tombé. L'appareil doit être relié à la terre. Utilisez toujours une prise antichoc correctement installée. La protection contre les chocs des parties sous tension et isolées doit être fixée de telle manière qu'elle ne puisse pas être enlevée sans outils. Les composants électriques ne doivent pas être accessibles à l'utilisateur après l'installation.

⚠ L'installation électrique doit être équipée d'un dispositif d'isolement à coupure omnipolaire. Le dispositif d'isolement doit avoir une largeur d'ouverture du contact d'au moins 3 mm. N'utiliser que des dispositifs d'isolation corrects : coupe-circuits de protection de ligne, fusibles, (les fusibles à visser doivent être retirés du support), un disjoncteur différentiel et des contacteurs.

⚠ Ne branchez la fiche d'alimentation à la prise de courant qu'à la fin de l'installation.

Fermez bien la porte de l'appareil avant de brancher la fiche à la prise secteur. Assurez-vous que la prise secteur est accessible après l'installation. Si la prise est desserrée, ne branchez pas la fiche d'alimentation. Ne tirez pas sur le câble secteur pour débrancher l'appareil. Débranchez toujours la prise secteur. Ne laissez pas les câbles d'alimentation entrer en contact ou s'approcher de la porte de l'appareil ou de la niche d'encastrement sous l'appareil, particulièrement lorsqu'il est en marche ou que la porte est chaude.


⚠ Pour remplacer le câble d'alimentation, contactez le service après-vente agréé.

⚠ Ce produit contient une source lumineuse de classe d'efficacité énergétique G.


⚠ Concernant la/les lampe(s) se trouvant à l'intérieur de ce produit et les lampes de rechange vendues séparément : Ces lampes sont conçues pour résister à des conditions ambiantes extrêmes dans les appareils électroménagers, telles que la température, les vibrations, l'humidité, ou sont conçues pour signaler des informations sur le statut opérationnel de l'appareil. Elles ne sont pas prévues pour être utilisées dans d'autres applications et ne conviennent pas pour l'éclairage des pièces d'une maison.

## En matière de sauvegarde de l'environnement


### AVERTISSEMENTS DE SÉCURITÉ

 Avant la mise au rebut, débranchez l'appareil de l'alimentation secteur. Coupez le câble d'alimentation au ras de l'appareil et mettez-le au rebut. Retirez le loquet de la porte pour éviter que des enfants ou des animaux de compagnie ne soient piégés dans l'appareil, pour éviter les risques de blessure ou d'étouffement.

### MISE AU REBUT DES MATÉRIAUX D'EMBALLAGE

Recycler les matériaux portant le symbole . Placez l'emballage dans les conteneurs prévus pour le recycler.

### MISE AU REBUT DES APPAREILS ÉLECTROMÉNAGERS

Contribuez à la protection de l'environnement et de la santé humaine en recyclant les déchets des appareils électriques et électroniques. Ne jetez pas les appareils portant le symbole  avec les ordures ménagères. Rapportez ce produit à votre centre de recyclage local ou renseignez-vous auprès de votre mairie.

### CONSEILS POUR ÉCONOMISER L'ÉNERGIE

**REMARQUE :** Cet appareil est doté de caractéristiques qui vous permettent d'économiser de l'énergie lors de votre cuisine au quotidien.

Lorsque le four est en marche, assurez-vous que la porte est bien fermée. Évitez d'ouvrir la porte trop souvent pendant la cuisson. Nettoyez régulièrement le joint de porte et assurez-vous qu'il est bien en place. Utilisez

des plats en métal pour augmenter les économies d'énergie. Dans la mesure du possible, ne préchauffez pas le four avant de placer les aliments à l'intérieur.

Si la cuisson doit durer plus de 30 minutes, réduisez la température du four au minimum 3 à 10 minutes avant la fin de la cuisson, en fonction de la durée de la cuisson. La chaleur résiduelle à l'intérieur du four poursuivra la cuisson.

Utilisez la chaleur résiduelle pour réchauffer d'autres plats. Lorsque vous cuisez plusieurs plats les uns après les autres, veillez à ne pas trop espacer les cuissons. Sélectionnez la température la plus basse possible pour utiliser la chaleur résiduelle et maintenir le repas au chaud.


Si possible, utilisez les fonctions de cuisson avec la ventilation pour économiser de l'énergie.

Pour certaines fonctions du four, si un programme avec sélection du temps (Durée ou Fin) est activé et que le temps de cuisson est supérieur à 30 minutes, les éléments chauffants se désactivent automatiquement plus tôt (le cas échéant).




Si possible, éteignez l'éclairage en cours de cuisson. Ne l'allumez que lorsque vous en avez besoin.

Circulation d'air humide (le cas échéant) : Fonction conçue pour économiser de l'énergie en cours de cuisson. Lorsque vous utilisez cette fonction, l'éclairage s'éteint automatiquement.

## Entretien et nettoyage

 **AVERTISSEMENT!** Reportez-vous aux chapitres concernant la sécurité.

### Remarques concernant le nettoyage

 <p><b>Agent nettoyant</b></p>	Nettoyez l'avant de l'appareil uniquement avec un chiffon en microfibre imbibé d'eau tiède et d'un détergent doux. Nettoyez et contrôlez le joint de la porte autour du cadre de la cavité.
	Utilisez une solution de nettoyage pour nettoyer les surfaces métalliques.
	Nettoyez les taches avec un détergent doux.
 <p><b>Utilisation quotidienne</b></p>	Nettoyez la cavité après chaque utilisation. L'accumulation de graisse ou d'autres résidus peut provoquer un incendie.
	De l'humidité peut se déposer dans l'enceinte de l'appareil ou sur les vitres de la porte. Pour diminuer la condensation, laissez fonctionner l'appareil pendant 10 minutes avant la cuisson. Ne conservez pas les aliments dans l'appareil pendant plus de 20 minutes. Séchez la cavité uniquement avec un chiffon en microfibre après chaque utilisation.
 <p><b>Accessoires</b></p>	Nettoyez tous les accessoires après chaque utilisation et laissez-les sécher. Utilisez uniquement un chiffon en microfibre avec de l'eau tiède et un détergent doux. Ne lavez pas les accessoires au lave-vaisselle.
	Ne nettoyez pas les accessoires anti-adhésifs avec un produit nettoyant abrasif ou des objets tranchants.

### Comment nettoyer : Bac de la cavité

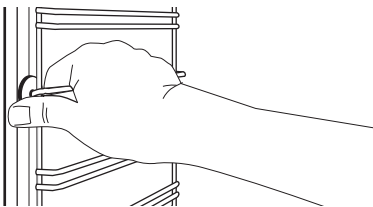
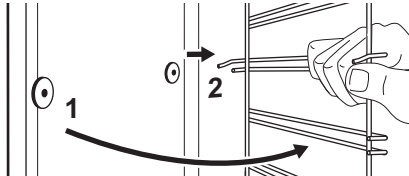
Nettoyez le bac de la cavité pour retirer les résidus de calcaire après une cuisson à la vapeur.

Étape 1	Étape 2	Étape 3
Versez 250 ml de vinaigre blanc dans le bac de la cavité. Utilisez du vinaigre à 6 % maximum, sans additifs.	Laissez le vinaigre dissoudre les résidus de calcaire à température ambiante pendant 30 minutes.	Nettoyez la cavité avec de l'eau chaude et un chiffon doux.
Pour la fonction : SteamBake nettoyez le four tous les 5 à 10 cycles de cuisson.		

### Comment retirer : Supports de grille

Retirez les supports de grille pour nettoyer le four.

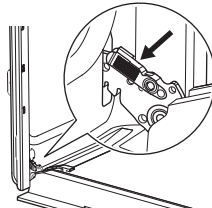
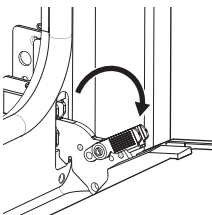


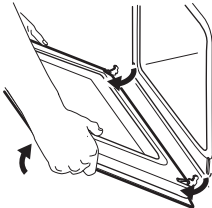
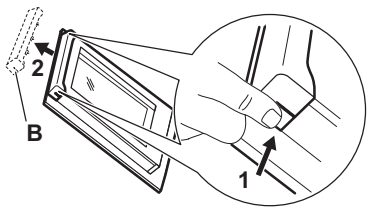
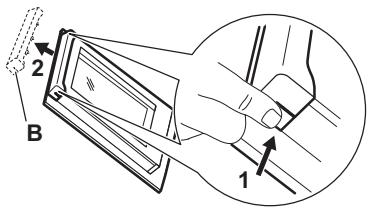
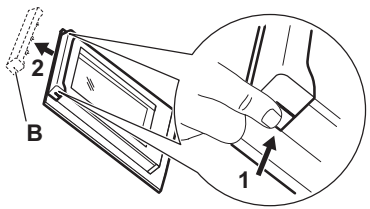
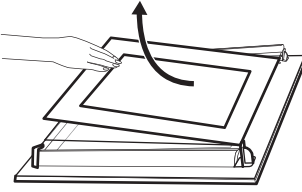
<b>Étape 1</b>	Éteignez le four et attendez qu'il soit froid.	
<b>Étape 2</b>	Écartez l'avant du support de grille de la paroi latérale.	
<b>Étape 3</b>	Écartez l'arrière du support de grille de la paroi latérale et retirez-le.	
<b>Étape 4</b>	Installez les supports de grille dans l'ordre inverse.	

### Comment démonter et installer : Couverture

La porte du four dispose de trois panneaux de verre. Vous pouvez retirer la porte du four et la vitre interne pour les nettoyer. Lisez toutes les instructions du chapitre « Retrait et installation de la porte » avant de retirer les panneaux de verre.

**⚠ ATTENTION!** N'utilisez pas le four sans les panneaux de verre.

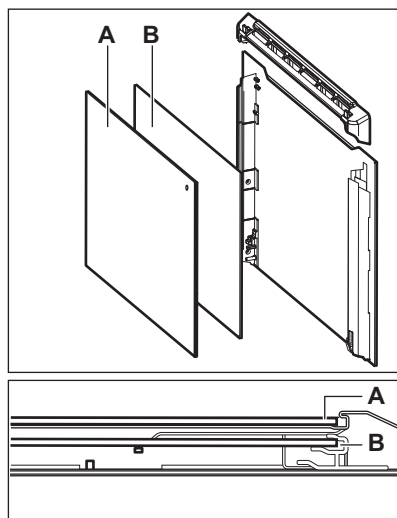
<b>Étape 1</b>	Ouvrez complètement la porte et saisissez les 2 charnières de porte.	
<b>Étape 2</b>	Soulevez et tirez les loquets jusqu'à ce qu'ils produisent un clic.	

<b>Étape 3</b>	Fermez la porte du four à mi-chemin de la première position d'ouverture. Puis, soulevez et tirez pour retirer la porte de son emplacement.	
<b>Étape 4</b>	Posez la porte sur un chiffon doux placé sur une surface stable.	
<b>Étape 5</b>	Tenez la garniture de porte (B) sur le bord supérieur de la porte des deux côtés et poussez vers l'intérieur pour libérer le joint du clip.	
<b>Étape 6</b>	Retirez le cache de la porte en le tirant vers l'avant.	
<b>Étape 7</b>	Saisissez les panneaux de verre de la porte par leur bord supérieur et dégagez-les un par un. Commencez par le panneau supérieur. Assurez-vous que la vitre glisse entièrement hors de ses supports.	
<b>Étape 8</b>	Nettoyez les vitres à l'eau savonneuse. Essuyez soigneusement les panneaux de verre. Ne passez pas les panneaux en verre au lave-vaisselle.	
<b>Étape 9</b>	Après le nettoyage, installez les panneaux de verre, la garniture de porte et la porte du four, fermez les loquets sur les deux charnières.	
Si la porte est installée correctement, vous entendrez un clic lors de la fermeture des loquets.		

Veillez à replacer les panneaux de verre (A et B) dans le bon ordre. Cherchez le symbole / l'impression se trouvant sur le côté du panneau de verre. Tous les panneaux ont un symbole différent pour faciliter le démontage et le montage.

La zone imprimée doit faire face à l'intérieur de la porte. Après l'installation, vérifiez que la surface du panneau de verre où se trouve les zones imprimées est lisse au toucher (le relief doit être de l'autre côté). Lorsque le cadre de la porte est installé correctement, il émet un clic.

Veillez à installer correctement le panneau de verre central dans son logement.



### Comment remplacer : Éclairage



**AVERTISSEMENT!** Risque d'électrocution.  
L'éclairage peut être chaud.

Tenez toujours l'ampoule halogène avec un chiffon afin d'éviter que des résidus de graisse ne brûlent sur l'ampoule.

#### Avant de remplacer l'éclairage :

Étape 1	Étape 2	Étape 3
Éteignez le four. Attendez que le four ait refroidi.	Débranchez le four de l'alimentation secteur.	Placez un chiffon au fond de la cavité.

#### Lampe arrière

<b>Étape 1</b>	Tournez le diffuseur en verre pour le retirer.
<b>Étape 2</b>	Nettoyez le diffuseur en verre.
<b>Étape 3</b>	Remplacez l'ampoule par une ampoule adéquate résistant à une température de 300 °C.
<b>Étape 4</b>	Installez le diffuseur en verre.

FR Concerne la France uniquement :



## GARANTIE IKEA

### Pour combien de temps la garantie IKEA est-elle valable ?

Cette garantie est valable pour 5 ans à compter de la date d'achat de votre appareil chez IKEA. Le ticket de caisse est nécessaire comme preuve d'achat. Si les travaux d'entretien sont effectués sous garantie, cela ne prolongera pas la période de garantie de l'appareil.

### Qui se chargera du service après vente ?

Le service après-vente IKEA se chargera du service par le biais de ses propres services ou du réseau de partenaires autorisés.

### Que couvre cette garantie ?

Cette garantie couvre les dommages dus à des composants défectueux ou des défauts de fabrication survenant après la date d'achat chez IKEA. Cette garantie est valable uniquement lorsque l'appareil est utilisé pour un usage domestique. Les exceptions sont indiquées dans le paragraphe "Qu'est-ce qui n'est pas couvert par la garantie ?" Pendant la durée de la garantie, les coûts des réparations, des pièces de rechange, de la main-d'œuvre et du déplacement seront pris en charge à condition que l'appareil soit disponible pour réparation sans occasionner de dépenses spéciales et que le dommage soit lié à une défectuosité d'un composant ou à un défaut de fabrication couvert par la garantie. Dans ces conditions, la directive européenne (99/44/CE) et les réglementations locales doivent être appliquées. Les pièces remplacées deviennent la propriété d'IKEA.

### Que fait IKEA en cas de problème ?

Le service après-vente choisi par IKEA examine le produit et décide, à sa seule discrétion, si la défectuosité est couverte par la garantie. Si tel est le cas, le service après-vente IKEA par le biais de ses propres services ou d'un partenaire autorisé, procède alors, à sa seule discrétion, à la réparation du produit défectueux ou à son remplacement par un produit équivalent.

### Qu'est-ce qui n'est pas couvert par la garantie ?

- L'usure normale.
- Les dommages causés délibérément ou par négligence, les dommages résultant du non-respect des instructions d'utilisation, d'une installation incorrecte ou d'un branchement non conforme de l'appareil, les dommages causés par une réaction chimique ou électrochimique, l'oxydation, la corrosion ou un dégât des eaux, incluant sans s'y limiter, les dommages causés par une quantité excessive de calcaire au niveau du raccordement à l'eau, les dégâts résultant de conditions environnementales anormales.
- Les consommables tels que les piles et ampoules.
- Les pièces non fonctionnelles et décoratives, qui n'ont pas d'incidence sur l'utilisation normale de l'appareil, de même que les rayures et éventuelles variations de couleur.
- Les dégâts accidentels causés par une substance ou un corps étranger, le nettoyage ou débouchage de filtres, systèmes d'évacuation ou compartiments de produits de lavage.

- Les dommages constatés sur les éléments suivants : vitrocéramique, accessoires, paniers à vaisselle et à couverts, tuyaux d'alimentation et de vidange, joints, ampoules et diffuseurs, écrans, manettes et touches carrosserie et éléments de la carrosserie. Sauf s'il est possible de prouver que ces dommages ont été causés par des défauts de fabrication.
- Les cas où aucune défectuosité n'a été constatée par le technicien.
- Les réparations qui n'ont pas été effectuées par des techniciens de service après-vente désignés et/ou un partenaire contractuel autorisé ni celles où l'on n'a pas utilisé des pièces d'origine.
- Les dommages résultant d'une installation incorrecte ou non respectueuse des spécifications d'installation.
- L'utilisation de l'appareil dans un environnement non domestique (par exemple pour un usage professionnel).
- Dommages dus au transport. Si le client transporte le produit chez lui ou à une autre adresse, IKEA ne pourra en aucun cas être tenu responsable des dommages survenant pendant le transport. En revanche, si IKEA livre le produit à l'adresse de livraison du client, tout endommagement du produit survenant en cours de transport sera couvert par la présente garantie.
- Frais d'installation initiale de l'appareil IKEA. En revanche, si un fournisseur de service après-vente IKEA ou son partenaire autorisé répare ou remplace l'appareil aux termes de la présente garantie, le fournisseur de service après-vente ou son partenaire autorisé réinstallera l'appareil réparé ou installera l'appareil de remplacement, selon le cas. Cette restriction ne concerne pas les cas où un service après-vente qualifié a travaillé sans faire d'erreur et en utilisant les pièces d'origine afin d'adapter l'appareil aux normes de sécurité techniques d'un autre pays de l'Union européenne.

### Application de la garantie légale

La garantie IKEA vous donne des droits spécifiques, qui couvrent ou dépassent toutes les exigences légales locales qui peuvent varier d'un pays à l'autre.

### Zone de validité

Pour les appareils achetés dans un pays de l'Union européenne et transportés dans un autre pays de l'Union européenne, les services seront fournis dans le cadre des conditions de garantie valables dans ce dernier. L'obligation de fournir des services dans le cadre de la garantie n'existe que si :

- l'appareil est conforme et installé conformément aux spécifications techniques du pays dans lequel la demande de garantie est effectuée ;
- l'appareil est conforme et installé conformément aux instructions de montage et consignes de sécurité indiquées dans la notice d'utilisation ;

### Service après-vente dédié aux appareils IKEA :

N'hésitez pas à contacter le Service après-vente IKEA pour :

1. effectuer une réclamation dans le cadre de cette garantie ;
2. demander une précision pour installer votre appareil IKEA dans des meubles de cuisine IKEA. Le service après-vente ne fournira pas de précision en ce qui concerne :
  - l'installation d'ensemble de la cuisine IKEA ;
  - les raccordements électriques (si l'appareil est fourni sans prise et sans câble), à l'eau et au gaz car ils doivent être effectués par un professionnel qualifié.
3. la demande de précisions sur le contenu de la notice d'utilisation et les caractéristiques de l'appareil IKEA.

Pour que nous puissions vous fournir la meilleure assistance, lisez attentivement les instructions de montage et/ou le chapitre concerné de la présente notice d'utilisation avant de nous contacter.

### Comment nous contacter en cas de besoin ?



Vous trouverez la liste complète des contacts de service après-vente choisis par IKEA et leurs numéros de téléphone respectifs à la fin de cette notice.

- i** Pour que nous puissions vous fournir un service rapide et compétent, nous vous conseillons d'utiliser les numéros de téléphone spécifiques indiqués à la fin de cette notice. Vous trouverez tous les numéros de téléphone utiles dans la notice d'utilisation correspondant à votre appareil. Avant de nous appeler, vérifiez que vous avez à votre portée le numéro d'article IKEA (code à 8 chiffres) et le numéro de série (le code à 8 chiffres se trouve sur la plaque signalétique) pour l'appareil pour lequel vous avez besoin de notre aide.

### **i** CONSERVEZ VOTRE TICKET DE CAISSE !

C'est votre preuve d'achat ; il vous sera demandé pour tout appel sous garantie. Veuillez noter que le ticket de caisse contient aussi le nom et le numéro de l'article IKEA (code à 8 chiffres) de chaque appareil acheté.

### **Avez-vous besoin d'aide supplémentaire ?**

Pour toute question supplémentaire non liée au Service après-vente de vos appareils, veuillez contacter votre magasin IKEA le plus proche. Nous vous recommandons de lire attentivement la notice d'utilisation de l'appareil avant de nous contacter.

## GARANTIE IKEA - FRANCE

### CONTRAT DE GARANTIE ET DE SERVICE APRES-VENTE IKEA

Décret n° 87-1045 relatif à la présentation des écrits constatant les contrats de garantie et de service après-vente (J.O.R.F. du 29 décembre 1987) Préalablement à la signature du bon de commande, le vendeur indiquera à l'acheteur les installations nécessaires pour assurer le branchement de l'appareil selon les règles de l'art.

**Numéros de modèle et de série** (Reporter ici le numéro d'identification porté sur l'étiquette code barre du produit)

**Modèle :**

**N° de série :**

**Date d'achat** (Reporter ici la date d'achat portée sur votre ticket de caisse) :

Le vendeur est tenu de fournir une marchandise conforme à la commande.

### **Livraison et mise en service**

Livraison à domicile : oui, si demandée par le client (selon modalités définies et mentionnées sur la facture d'achat ou le bon de commande).

Gratuite : non (tarif et modalités disponibles en magasin et fournis au client au moment de la commande ou de l'achat). Mise en service : non.

En cas de défauts apparents ou d'absence de notice d'emploi et d'entretien, l'acheteur a intérêt à les faire constater par écrit par le vendeur ou le livreur lors de l'enlèvement de la livraison ou de la mise en service.

### **Garantie Légale (sans supplément de prix)**

A la condition que l'acheteur fasse la preuve du défaut caché, le vendeur doit légalement en réparer toutes les conséquences (art.1641 et suivants du Code Civil). Si l'acheteur s'adresse aux tribunaux, il doit le faire dans un délai de deux ans à compter de la découverte du défaut caché (art.1648 du Code Civil).

**Nota** - En cas de recherche de solutions amiables préalablement à toute action en justice, il est rappelé qu'elles n'interrompent pas le délai de prescription.

La réparation des conséquences du défaut caché, lorsqu'il a été prouvé, comporte, selon la jurisprudence:

- soit la réparation totalement gratuite de l'appareil, y compris les frais de main-d'œuvre et de déplacement au lieu de la mise en service ;
- soit son remplacement ou le remboursement total ou partiel de son prix au cas où l'appareil serait totalement ou partiellement inutilisable ;
- et l'indemnisation du dommage éventuellement causé aux personnes ou aux biens par le défaut de l'appareil. La garantie légale due par le vendeur n'exclut en rien la garantie légale due par le constructeur.

### **Litiges éventuels**

En cas de difficulté vous avez la possibilité, avant toute action en justice, de rechercher une solution amiable, notamment avec l'aide :

- d'une association de consommateurs ;
- ou d'une organisation professionnelle de la branche ;
- ou de tout autre conseil de votre choix.

Il est rappelé que la recherche d'une solution amiable n'interrompt pas le délai de deux ans de l'art.1648 du Code Civil. Il est aussi

rappelé qu'en règle générale et sous réserve de l'appréciation des tribunaux, le respect des dispositions de la présente garantie contractuelle suppose :

- Que l'acheteur honore ses engagements financiers envers le vendeur ;
- Que l'acheteur utilise l'appareil de façon normale (Voir la notice d'emploi et d'entretien et les conditions d'application de la garantie contractuelle) ;
- Que pour les opérations nécessitant une haute technicité aucun tiers non agréé par le vendeur ou le constructeur n'intervienne pour réparation sur l'appareil (sauf cas de force majeure ou carence prolongée du vendeur).

### **Garantie contractuelle IKEA**

PRIX : rien à payer en sus. DUREE : 5 (cinq) ans. POINT DE DEPART : à compter de la date d'achat chez IKEA. RÉPARATION DE L'APPAREIL :

- remplacement des pièces, main-d'œuvre, déplacement, transport des pièces ou de l'appareil : oui
- garantie des pièces remplacées : non
- délai d'intervention : fonction du type de réparation et porté à la connaissance de l'acheteur avant intervention.

REPLACEMENT OU REMBOURSEMENT DE L'APPAREIL (en cas d'impossibilité de réparation reconnue par le vendeur et le constructeur) : oui

Pour mettre en œuvre le service après-vente en cas de panne couverte par la garantie contractuelle, ou pour obtenir des informations techniques pour la mise en service ou le bon fonctionnement de l'appareil, contacter IKEA au numéro de téléphone respectif, suivant le pays, indiqué à la fin de cette notice et correspondant à votre appareil.

**Conservez votre preuve d'achat avec le document de garantie, ils vous seront nécessaires pour la mise en œuvre de la garantie.**

**CONDITIONS DE GARANTIE CONTRACTUELLE IKEA**

**Quelle est la durée de validité de la garantie ?**

La présente garantie est valable cinq (5) ans à compter de la date d'achat chez IKEA d'un appareil électroménager de l'assortiment cuisines, à l'exception des appareils LAGAN qui sont garantis pour une durée de deux (2) ans. L'original du ticket de caisse, de la facture ou du bon de livraison en cas de vente à distance sera exigé comme preuve de l'achat. Conservez-le dans un endroit sûr.

La réparation ou le remplacement du produit défectueux n'a pas pour conséquence de prolonger la durée initiale de garantie. Toutefois, conformément à l'art. L.211-16 du Code de la Consommation, toute période d'immobilisation du produit, pour une remise en état couverte par la garantie, d'au moins sept jours vient s'ajouter à la durée de la garantie qui restait à courir à la date de la demande d'intervention du consommateur ou de la mise à disposition pour réparation du bien en cause, si cette mise à disposition est postérieure à la demande d'intervention.

**Quels sont les appareils électroménagers couverts par la garantie ?**

La garantie IKEA de cinq (5) ans couvre tous les appareils électroménagers de l'assortiment cuisines, hors appareils de la série LAGAN qui sont garantis pour une durée de deux (2) ans, achetés chez IKEA à compter du 1er août 2007.

**Qui est couvert par la garantie ?**

La présente garantie concerne l'acheteur agissant en qualité de consommateur à compter de la date d'achat du produit.

**Qui exécutera les prestations dans le cadre de la garantie ?**

Le prestataire de services désigné par IKEA fournira l'assistance de son réseau de réparateurs agréés pour vous servir dans le cadre de cette garantie. Pour la mise en œuvre, veuillez vous reporter à la rubrique « Comment nous joindre ».

**Que couvre cette garantie ?**

La présente garantie IKEA couvre les défauts de construction et de fabrication susceptibles de nuire à une utilisation normale, à compter de la date d'achat chez IKEA par le client. Elle ne s'applique que dans le cadre d'un usage domestique.

Les exclusions sont reprises dans la section "Qu'est-ce qui n'est pas couvert dans le cadre de cette garantie ?" Les présentes conditions de garantie couvrent les frais de réparation, de pièces de rechange, de main d'œuvre et de déplacement du personnel à domicile pendant une période de cinq (5) ans, ramenée à deux (2) ans sur la série LAGAN, à compter de la date d'achat chez IKEA, sous réserve que les défauts soient couverts et à condition que l'appareil soit disponible pour réparation sans occasionner de dépenses spéciales. Voir aussi "Rappel des dispositions légales". Les pièces remplacées deviennent la propriété de IKEA. Ces dispositions ne s'appliquent pas aux réparations effectuées sans autorisation du prestataire de services IKEA.

**Que ferons-nous pour remédier au problème ?**

Dans le cadre de cette garantie, le prestataire de service désigné par IKEA, examinera le produit. Si après vérification, et hormis mise en œuvre de la garantie légale, il est reconnu que votre réclamation est couverte par la présente garantie contractuelle, il sera procédé à la réparation du produit défectueux, ou en cas d'impossibilité de réparation, à son remplacement par le même article ou par un article de qualité et de technicité comparable. Compte tenu des évolutions technologiques, l'article de remplacement de qualité équivalente peut être d'un prix inférieur au modèle acheté. Si aucun article équivalent n'est disponible, et en cas d'impossibilité totale ou partielle de réparation reconnue par le prestataire de IKEA ou son représentant agréé, sous réserve que les conditions d'application de la garantie soient remplies, IKEA procédera au remboursement total ou partiel de l'appareil reconnu défectueux. Le prestataire de



service désigné par IKEA s'engage à tout mettre en œuvre pour apporter une solution rapide et satisfaisante dans le cadre de cette garantie mais ni IKEA, ni le prestataire ne sauraient être tenus pour responsables des cas de forces majeurs, tels que définis par la jurisprudence, susceptibles d'empêcher l'application correcte de la garantie.

### **Qu'est-ce qui n'est pas couvert dans le cadre de la présente garantie ?**

- L'usure normale et graduelle inhérente aux appareils électroménagers, compte tenu de la durée de vie et du comportement communément admis pour des produits semblables.
- Les dommages engageant la responsabilité d'un tiers ou résultant d'une faute intentionnelle ou dolosive.
- Les dommages résultant du non respect des consignes d'utilisation, d'une mauvaise installation non conforme aux instructions du fabricant et/ou aux règles de l'art, notamment en matière de raccordement au réseau électrique, ou aux arrivées d'eau ou de gaz qui requièrent l'intervention d'un professionnel qualifié.
- Les dommages tels que, entre autres, le vol, la chute ou le choc d'un objet, l'incendie, la décoloration à la lumière, les brûlures, l'humidité ou la chaleur sèche excessive ou toute autre condition environnementale anormale, les coupures, les éraflures, toute imprégnation par un liquide, les réactions chimiques ou électrochimiques, la rouille, la corrosion, ou un dégât des eaux résultant entre autres, d'un taux de calcaire trop élevé dans l'eau d'approvisionnement.
- Les pièces d'usure normale dites pièces consommables, comme par exemple les piles, les ampoules, les filtres, les joints, tuyaux de vidange, etc. qui nécessitent un remplacement régulier pour le fonctionnement normal de l'appareil.
- Les dommages aux éléments non fonctionnels et décoratifs qui n'affectent pas l'usage normal de l'appareil, notamment les rayures, coupures, éraflures, décoloration.
- Les dommages accidentels causés par des corps ou substances étrangers et par le nettoyage et déblocage des filtres, systèmes d'évacuation ou compartiments pour détergent.
- Les dommages causés aux pièces suivantes : verre céramique, accessoires, paniers à vaisselle et à couverts, tuyaux d'alimentation et d'évacuation, joints, lampes et protections de lampes, écrans, boutons et poignées, châssis et parties de châssis.
- Les frais de transport de l'appareil, de déplacement du réparateur et de main-d'oeuvre relatif à un dommage non garanti ou non constaté par le réparateur agréé.
- Les réparations effectuées par un prestataire de service et /ou un partenaire non agréés, ou en cas d'utilisation de pièces autres que des pièces d'origine, toute réparation de fortune ou provisoire restant à la charge du client qui supporterait en outre, les conséquences de l'aggravation éventuelle du dommage en résultant.
- L'utilisation en environnement non domestique, par exemple usage professionnel ou collectif, ou dans un lieu public.
- Les dommages liés au transport lorsque l'appareil est emporté par le client lui-même ou un prestataire de transport qu'il a lui-même désigné. Lorsque l'appareil est livré par IKEA, les dommages résultant du transport seront pris en charge par IKEA. Le client doit vérifier ses colis et porter IMPÉRATIVEMENT sur le bon de livraison des RESERVES PRECISES : indication du nombre de colis manquants et/ou endommagés, et description détaillée du dommage éventuel (emballage ouvert ou déchiré, produit détérioré ou manquant, etc.)
- Les coûts d'installation initiaux. Toutefois, si le prestataire de service ou son partenaire agréé procède à une réparation ou un remplacement

d'appareil selon les termes de la présente garantie, le prestataire de service ou son partenaire agréé ré-installeront le cas échéant l'appareil réparé ou remplacé.

La garantie reste toutefois applicable aux appareils ayant fait l'objet d'une adaptation dans le respect des règles de l'art par un spécialiste qualifié avec des pièces d'origine du fabricant pour une mise en conformité de l'appareil aux spécifications techniques d'un autre pays membre de l'Union Européenne.

#### **Rappel des dispositions légales :**

Le fabricant s'engage à garantir la conformité des biens au contrat ainsi que les éventuels vices cachés, conformément aux dispositions légales figurant ci-après, sans que cela ne fasse obstacle à la mise en œuvre de la garantie commerciale ci-dessus consentie lorsque celle-ci est plus étendue que la garantie légale.

#### **« Garantie légale de conformité » (extrait du code de la consommation)**

- Art. L. 211-4. « Le vendeur est tenu de livrer un bien conforme au contrat et répond des défauts de conformité existant lors de la délivrance. Il répond également des défauts de conformité résultant de l'emballage, des instructions de montage ou de l'installation lorsque celle-ci a été mise à sa charge par le contrat ou a été réalisée sous sa responsabilité. »
- Art. L. 211-12. « L'action résultant du défaut de conformité se prescrit par deux ans à compter de la délivrance du bien. »
- Art. L. 211-5. « Pour être conforme au contrat, le bien doit :

1° Etre propre à l'usage habituellement attendu d'un bien semblable et, le cas échéant :

- correspondre à la description donnée par le vendeur et posséder les qualités que celui-ci a présentées à l'acheteur sous forme d'échantillon ou de modèle ;
- présenter les qualités qu'un acheteur peut légitimement attendre eu égard aux déclarations publiques faites par le vendeur, par le producteur ou par son

représentant, notamment dans la publicité ou l'étiquetage ;

2° Ou présenter les caractéristiques définies d'un commun accord par les parties ou être propre à tout usage spécial recherché par l'acheteur, porté à la connaissance du vendeur et que ce dernier a accepté. »

#### **« De la garantie des défauts de la chose vendue » (extrait du code civil)**

- Art. 1641. « Le vendeur est tenu de la garantie à raison des défauts cachés de la chose vendue qui la rendent impropre à l'usage auquel on la destine, ou qui diminuent tellement cet usage, que l'acheteur ne l'aurait pas acquise, ou n'en aurait donné qu'un moindre prix, s'il les avait connus. »
- Art. 1648 (1er alinéa). « L'action résultant des vices rédhibitoires doit être intentée par l'acquéreur dans un délai de deux ans à compter de la découverte du vice. »

#### **Où s'applique la présente garantie ?**

Sous réserve de conformité aux spécifications techniques et réglementations applicables et propres à chaque pays le cas échéant, les garanties pourront être exercées auprès de l'organisation IKEA locale du pays où le produit est utilisé sur tout le territoire de l'Union Européenne (hors DOM et TOM). Les conditions de garantie, étendues et limites, sont celles applicables sur le marché local. Il est recommandé de les procurer auprès de l'organisation IKEA locale.

#### **Le Service Après-Vente applicable à vos appareils électroménagers IKEA:**

N'hésitez pas à contacter le Service Après-Vente IKEA pour :

1. requérir la mise en oeuvre du service dans le cadre de cette garantie contractuelle ;
2. obtenir des conseils pour l'installation de l'appareil IKEA dans un meuble de cuisine IKEA prévu à cet effet. Le service n'inclut toutefois pas les informations relatives :
  - au montage et à l'installation d'une cuisine complète IKEA;

- au raccordement au réseau électrique (lorsque l'appareil est fourni sans prise ni câble) et aux arrivées d'eau et de gaz, qui requièrent l'intervention d'un professionnel qualifié
3. obtenir des informations relatives au contenu du manuel utilisateur et aux spécifications de l'appareil IKEA pour un bon fonctionnement de celui-ci.

Pour pouvoir vous apporter la meilleure assistance, assurez-vous d'avoir lu attentivement les instructions de montage et/ou le manuel de l'utilisateur avant de nous contacter.

### Comment nous joindre pour la mise en oeuvre de la présente garantie ?



Consultez la dernière page de ce livret pour la liste complète des numéros de téléphone respectifs par pays des contacts désignés par IKEA.

- i** Dans le but de vous fournir un service rapide, veuillez utiliser uniquement le numéro de téléphone spécifique à votre pays, donné dans la liste en dernière page de ce livret de garantie. Pour la mise en oeuvre de la garantie, il faut toujours se reporter à la liste des numéros de téléphone repris dans le livret fourni avec l'appareil IKEA correspondant. Avant de nous appeler, assurez vous de disposer à portée de main la référence IKEA (code à 8 chiffres) correspondant à l'appareil pour lequel vous avez besoin d'assistance.

**i** **CONSERVEZ IMPERATIVEMENT L'ORIGINAL DE VOTRE TICKET DE CAISSE, FACTURE OU BON DE LIVRAISON AVEC LE LIVRET DE GARANTIE !**

Ils vous seront nécessaires comme preuve de l'achat pour vous permettre de bénéficier de la présente garantie, et pour retrouver facilement la désignation et la référence IKEA (code à 8 chiffres) de chaque appareil acheté.

### Besoin d'aide supplémentaire ?

Si vous avez des questions supplémentaires sur les conditions d'application des garanties IKEA (étendues et limites, produits couverts), adressez-vous à votre magasin IKEA le plus proche. Adresse et horaires sur le site [www.IKEA.fr](http://www.IKEA.fr), dans le catalogue IKEA ou par téléphone au 0825 10 3000 (0,15€/mn).

## SICHERHEITSINFORMATIONEN

Lesen Sie vor der Installation und Verwendung des Geräts sorgfältig die mitgelieferten Anweisungen. Bei Verletzungen oder Schäden infolge nicht ordnungsgemäßer Montage oder Verwendung übernimmt der Hersteller keine Haftung.

Bewahren Sie die Anleitung zum Nachschlagen an einem sicheren und zugänglichen Ort auf.

### **WARNUNGEN ZUR SICHERHEIT**

⚠ Das Gerät kann von Kindern ab 8 Jahren und Personen mit eingeschränkten physischen, sensorischen oder geistigen Fähigkeiten oder mit mangelnder Erfahrung/mangelndem Wissen benutzt werden, wenn sie durch eine für ihre Sicherheit zuständige Person beaufsichtigt werden oder von dieser Person Anweisungen erhalten haben, wie das Gerät sicher zu bedienen ist und welche Gefahren bei nicht ordnungsgemäßer Bedienung bestehen. Kinder unter 8 Jahren und Personen mit schweren Behinderungen oder Mehrfachbehinderung sollten vom Gerät ferngehalten werden, wenn sie nicht ständig beaufsichtigt werden. Kinder dürfen nicht mit dem Gerät spielen. Halten Sie sämtliches Verpackungsmaterial von Kindern fern und entsorgen Sie es ordnungsgemäß. Kinder dürfen keine Reinigung und Wartung des Geräts ohne Beaufsichtigung durchführen. Falls Ihr Gerät mit einer Kindersicherung ausgestattet ist, empfehlen wir, diese einzuschalten.

⚠ **Warnung:** Das Gerät und die zugänglichen Geräteteile werden während des Betriebs heiß. Seien Sie vorsichtig und berühren Sie niemals die Heizelemente.

⚠ **Warnung:** Vergewissern Sie sich, dass das Gerät ausgeschaltet ist, bevor Sie die Lampe austauschen, um einen Stromschlag zu vermeiden.

⚠ Wenn das Netzkabel beschädigt ist, muss es vom Hersteller, seinem Kundendienst oder ähnlich qualifizierten Personen

durch ein identisches ersetzt werden, um eine Gefahr – Risiko eines elektrischen Schlags – zu vermeiden.

⚠ Dieses Gerät ist ausschließlich zur Verwendung im Haushalt bestimmt. Nehmen Sie keine technischen Änderungen am Gerät vor.

⚠ Ziehen Sie die Einhängegitter zuerst vorne und dann hinten von den Seitenwänden weg. Setzen Sie die Einhängegitter in umgekehrter Reihenfolge ein.

⚠ Die Backofentür muss beim Betrieb geschlossen sein. Verwenden Sie Ofenhandschuhe, um Pfannen und Zubehör zu entfernen.

⚠ Reinigen Sie das Gerät nicht mit einem Dampfstrahlreiniger. Benutzen Sie zum Reinigen der Glastür keine scharfen Scheuermittel oder Metallschwämmchen; sie könnten die Glasfläche verkratzen und zum Zersplittern der Scheibe führen.

⚠ Die Mittel zum Trennen müssen gemäß den Verdrahtungsregeln in die feste Verkabelung integriert werden.

⚠ Verwenden Sie ausschließlich den für dieses Gerät empfohlenen KT Sensor (Kerntempersensord) (falls vorhanden).

## Bestimmungsgemäße Nutzung

⚠ Verletzungs-, Verbrennungs-, Stromschlag-, Brand-, Explosionsgefahr sowie Risiko von Schäden am Gerät.

⚠ Dieses Gerät ist nur zum Kochen bestimmt. Es darf nicht für andere Zwecke z. B. zum Erwärmen von Räumen verwendet werden.

⚠ Lassen Sie das Gerät während des Betriebs nicht unbeaufsichtigt. Schalten Sie das Gerät nach jedem Gebrauch aus. Vergewissern Sie sich, dass die Lüftungsöffnungen nicht blockiert sind.

⚠ Halten Sie Kleidung oder andere brennbare Materialien vom Gerät fern, bis alle Komponenten vollständig abgekühlt sind – es besteht Brandgefahr.

⚠ Ist das Gerät hinter einer Möbelfront (wie etwa einer Tür) installiert, achten Sie darauf, dass die Tür während des Gerätebetriebs nicht geschlossen wird. Hinter einer geschlossenen Möbelfront können sich Hitze und Feuchtigkeit ansammeln und das Gerät, die Möbel oder den Boden beschädigen. Schließen Sie die Möbelfront nicht, bevor das Gerät nach dem Gebrauch abgekühlt ist.

⚠ Benutzen Sie das Gerät nicht mit nassen Händen oder wenn es mit Wasser Kontakt hat. Üben Sie keinen Druck auf die offene Tür aus. Seien Sie beim Herausnehmen der Tür aus dem Gerät vorsichtig. Die Tür ist schwer. Verwenden Sie das Gerät nicht als Arbeits- oder Abstellfläche.

⚠ Gehen Sie beim Öffnen der Tür vorsichtig vor, wenn das Gerät in Betrieb ist. Es kann heiße Luft freigesetzt werden. Platzieren Sie keine entflammenden Produkte oder Gegenstände, die mit entflammenden Produkten benetzt sind, im Gerät, auf dem Gerät oder in der Nähe des Geräts. Wenn Sie Speisen in heißes Öl legen, kann es spritzen. Lassen Sie beim Öffnen der Tür keine Funken oder offenen Flammen mit dem Gerät in Kontakt kommen. Öffnen Sie die Gerätetür vorsichtig. Die Verwendung von Zutaten mit Alkohol kann eine Mischung aus Alkohol und Luft verursachen.

⚠ Um Beschädigungen und Verfärbungen der Emailbeschichtung zu vermeiden:

- Stellen Sie feuerfestes Geschirr oder andere Gegenstände nicht direkt auf den Boden des Geräts.
- Legen Sie keine Alufolie direkt auf den Boden des Garraums.
- Füllen Sie kein Wasser in das heiße Gerät.
- Lassen Sie nach Abschluss des Garvorgangs kein feuchtes Geschirr oder feuchte Speisen im Gerät stehen.
- Gehen Sie beim Herausnehmen oder Einsetzen des Zubehörs sorgfältig vor.

⚠ Verwenden Sie eine tiefe Pfanne für feuchte Kuchen. Fruchtsäfte verursachen

Flecken, die dauerhaft sein können. Verfärbungen der Emaille- oder Edelstahlbeschichtung haben keine Auswirkung auf die Leistung des Geräts.

⚠ Reinigen Sie das Gerät regelmäßig, um eine Verschlechterung des Oberflächenmaterials zu verhindern. Schalten Sie vor der Reinigung das Gerät aus und ziehen Sie den Netzstecker aus der Steckdose. Stellen Sie sicher, dass das Gerät vor jeder Reinigung oder Wartung abgekühlt ist. – Verbrennungsgefahr. Seien Sie beim Herausnehmen der Tür aus dem Gerät vorsichtig. Die Tür ist schwer. Es besteht ebenso die Gefahr, dass die Glasscheiben brechen. Ersetzen Sie die Türglasscheiben sofort, wenn sie beschädigt sind. Wenden Sie sich an den autorisierten Kundendienst.

⚠ Reinigen Sie das Gerät mit einem weichen, feuchten Tuch. Verwenden Sie ausschließlich Neutralreiniger. Verwenden Sie keine Scheuermittel, Scheuerschwämme, scharfe Reinigungsmittel oder Metallgegenstände. Reinigen Sie die katalytische Emaillebeschichtung (falls vorhanden) nicht mit Reinigungsmitteln. Fett- oder Speisereste im Gerät können einen Brand verursachen. Entfernen Sie die Knöpfe nicht vom Gerät (falls zutreffend). Falls Sie ein Backofenspray verwenden, befolgen Sie die Sicherheitsanweisungen auf seiner Verpackung.

## Montage

⚠ Das Gerät muss von zwei oder mehr Personen gehandhabt und installiert werden - Verletzungsgefahr. Tragen Sie stets Sicherheitshandschuhe und festes Schuhwerk – es besteht Schnittverletzungsgefahr.

⚠ Die Installation, einschließlich der Wasserversorgung (falls zutreffend) und der elektrischen Anschlüsse, Wartungs- oder Reparaturarbeiten, bei denen eine Abdeckung entfernt werden muss, die Schutz vor Einwirkung von Mikrowellenenergie bietet (falls zutreffend)

sowie Reparaturen müssen von dem autorisierten Installateur durchgeführt werden. Halten Sie sich an die mitgelieferte Bauanleitung. Entfernen Sie die gesamte Verpackung. Stellen Sie sicher, dass das Gerät beim Transport nicht beschädigt wurde. Wenden Sie sich im Falle von Problemen an den Händler oder das nächstgelegene autorisierte Servicezentrum. Montieren und benutzen Sie beschädigte Geräte nicht.

⚠ Montieren Sie das Gerät an einem sicheren und geeigneten Ort, der den Montageanforderungen entspricht. Verwenden Sie das Gerät nicht, bevor es in den Einbauschrank gesetzt wird. Ziehen Sie das Gerät nicht am Griff. Die Mindestabstände zu anderen Geräten und

Küchenmöbeln sind einzuhalten. Überprüfen Sie vor der Montage des Gerätes, ob sich die Ofentür ohne Kraftanwendung öffnen lässt.

⚠ Stellen Sie sicher, dass das Gerät ausgeschaltet und von der Stromversorgung getrennt ist, bevor Sie Wartungsarbeiten durchführen – Gefahr eines elektrischen Schlags. Stellen Sie während der Installation sicher, dass das Gerät das Stromkabel nicht beschädigt - Gefahr von Feuer oder Stromschlag. Schalten Sie das Gerät erst ein, wenn die Installation abgeschlossen ist.

⚠ Der Mindestabstand zwischen Arbeitsplatte und Oberkante des Ofens darf nicht verdeckt werden – Verbrennungsgefahr.

## Elektrische Warnungen

⚠ Brand- und Stromschlaggefahr.

⚠ Stellen Sie sicher, dass die Daten auf dem Typenschild mit den elektrischen Nennwerten der Netzspannung übereinstimmen.

⚠ Verwenden Sie keine Verlängerungskabel, Mehrfachsteckdosen oder Adapter. Betreiben Sie das Gerät nicht, wenn es ein beschädigtes Netzkabel oder einen beschädigten Stecker aufweist, wenn es nicht ordnungsgemäß funktioniert oder beschädigt oder fallen gelassen wurde. Das Gerät muss geerdet sein. Verwenden Sie immer eine korrekt installierte Schutzkontaktsteckdose. Alle Teile, die gegen direktes Berühren schützen, sowie die isolierten Teile müssen so befestigt werden, dass sie nicht ohne Werkzeug entfernt werden können. Die elektrischen Komponenten dürfen nach der Installation für den Benutzer nicht zugänglich sein.

⚠ Die elektrische Installation muss eine Trenneinrichtung aufweisen, mit der das Gerät allpolig von der Stromversorgung getrennt werden kann. Die Trennvorrichtung

muss mit einer Kontaktöffnungsweite von mindestens 3 mm ausgeführt sein. Verwenden Sie nur korrekte Trennvorrichtungen: Leitungsschutzschalter, Sicherungen (aus der Halterung entfernte Schraubversicherungen), Fehlerstrom-Schutzschalter und Schütze.

⚠ Stecken Sie den Netzstecker erst nach Abschluss der Montage in die Steckdose. Schließen Sie die Gerätetür ganz, bevor Sie den Netzstecker in die Steckdose stecken. Stellen Sie sicher, dass der Netzstecker nach der Aufstellung noch zugänglich ist. Wenn die Netzsteckdose locker ist, darf der Netzstecker nicht eingesteckt werden. Ziehen Sie nicht am Netzkabel, um das Gerät von der Spannungsversorgung zu trennen. Ziehen Sie immer am Netzstecker. Achten Sie darauf, dass das Netzkabel die Gerätetür oder den unteren Bereich des Gerätes nicht berührt oder in der Nähe dieser Komponenten vorbeigeführt wird, insbesondere wenn das Gerät eingeschaltet oder die Tür heiß ist.

⚠ Wenden Sie sich an das autorisierte Service-Zentrum, um das Netzkabel auszutauschen.

⚠ Dieses Produkt enthält eine Lichtquelle der Energieeffizienzklasse G.

⚠ Bezüglich der Lampe(n) in diesem Gerät und separat verkaufter Ersatzleuchtmittel gilt: Diese Lampen müssen extremen


physikalischen Bedingungen in Haushaltsgeräten standhalten, wie z. B. Temperatur, Vibration, Feuchtigkeit, oder sollen Informationen über den Betriebszustand des Gerätes anzeigen. Sie sind nicht für den Einsatz in anderen Geräten vorgesehen und nicht für die Raumbeleuchtung geeignet.

## Umweltbelange


### WARNUNGEN ZUR SICHERHEIT

⚠ Trennen Sie das Gerät vor der Entsorgung von der Stromversorgung. Schneiden Sie das Netzkabel in der Nähe des Geräts ab, und entsorgen Sie es. Entfernen Sie das Türschloss, um zu verhindern, dass sich Kinder oder Haustiere im Gerät einschließen – Gefahr von Verletzungen oder Erstickten.

### ENTSORGUNG VON VERPACKUNGSMATERIALIEN

Recyceln Sie Materialien mit dem Symbol . Legen Sie die Verpackung in die entsprechenden Container, um sie zu recyceln.

### ENTSORGUNG VON HAUSHALTSGERÄTEN

Recyceln Sie zum Umwelt- und Gesundheitsschutz elektrische und elektronische Geräte. Entsorgen Sie Geräte mit dem Symbol  nicht mit dem Hausmüll. Bringen Sie das Gerät zu Ihrer örtlichen Sammelstelle oder wenden Sie sich an Ihr Gemeindeamt.

### TIPPS ZUR ENERGIEEINSPARUNG

**HINWEIS:** Dieses Gerät verfügt über Funktionen, mit deren Hilfe Sie beim täglichen Kochen Energie sparen können.

Achten Sie darauf, dass die Backofentür während des Ofenbetriebs richtig geschlossen ist. Die Geräetür darf während des Garvorgangs nicht zu oft geöffnet werden. Halten Sie die Türdichtung sauber

und stellen Sie sicher, dass sie sich fest in der richtigen Position befindet. Verwenden Sie Kochgeschirr aus Metall, um mehr Energie zu sparen. Heizen Sie, wenn möglich, den Backofen nicht vor, bevor Sie die Speisen hineingeben.

Beträgt die Garzeit mehr als 30 Minuten, reduzieren Sie die Ofentemperatur je nach Gardauer 3 - 10 Minuten vor Ablauf des Garvorgangs auf die Mindesttemperatur. Die Restwärme im Backofen wird weiterhin garen.

Nutzen Sie die Restwärme, um andere Speisen aufzuwärmen. Halten Sie die Unterbrechungen beim Backen so kurz wie möglich, wenn Sie mehrere Backwaren gleichzeitig zubereiten. Wählen Sie die niedrigste Temperatureinstellung, wenn Sie die Restwärme zum Warmhalten von Speisen nutzen möchten.

Nutzen Sie, wenn möglich, die Garfunktionen mit Heißluft, um Energie zu sparen.

Die Heizelemente werden bei einigen Backofenfunktionen automatisch früher abgeschaltet, wenn ein Programm mit der Auswahl Dauer oder Ende aktiviert ist und die Garzeit länger als 30 Minuten beträgt (falls zutreffend).

Wenn möglich, schalten Sie die Lampe während des Garvorgangs aus. Schalten Sie sie nur ein, wenn Sie sie benötigen.

Feuchte Umluft (falls zutreffend): Diese Funktion soll während des Garvorgangs





Energie sparen. Die Backofenlampe wird während dieser Funktion automatisch ausgeschaltet.


## Reinigung und Pflege

**⚠️ WARNUNG!** Siehe Kapitel Sicherheitshinweise.

### Hinweise zur Reinigung

 <p><b>Reinigungs- mittel</b></p>	Reinigen Sie die Vorderseite des Geräts nur mit einem Mikrofasertuch mit warmem Wasser und einem milden Reinigungsmittel. Reinigen und überprüfen Sie die Türdichtung um den Garraumrahmen.
	Reinigen Sie die Metalloberflächen mit einer geeigneten Reinigungslösung.
	Reinigen Sie Flecken mit einem milden Reinigungsmittel.

 <p><b>Täglicher Ge- brauch</b></p>	Reinigen Sie den Garraum nach jedem Gebrauch. Fettansammlungen oder andere Speisereste könnten einen Brand verursachen.
	Es kann sich Feuchtigkeit im Gerät oder an den Glasscheiben der Tür niederschlagen. Um die Kondensation zu reduzieren, schalten Sie das Gerät immer 10 Minuten vor dem Garen ein. Lassen Sie die Speisen nicht länger als 20 Minuten im Gerät stehen. Trocknen Sie den Garraum nach jedem Gebrauch nur mit einem Mikrofasertuch ab.

 <p><b>Zubehör</b></p>	Reinigen Sie alle Zubehörteile nach jedem Gebrauch und lassen Sie sie trocknen. Verwenden Sie nur ein Mikrofasertuch mit warmem Wasser und einem milden Reinigungsmittel. Reinigen Sie die Zubehörteile nicht im Geschirrspüler.
	Reinigen Sie das Zubehör mit Antihafbeschichtung nicht mit Scheuermitteln oder scharfkantigen Gegenständen.

### Reinigung: Garraumvertiefung

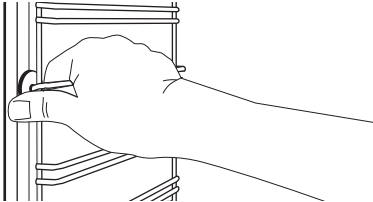
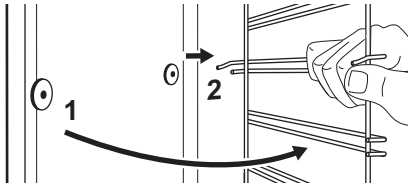
Entfernen Sie Kalkrückstände aus der Garraumvertiefung nach dem Dampfaren.

<b>Schritt 1</b>	<b>Schritt 2</b>	<b>Schritt 3</b>
------------------	------------------	------------------

Gießen Sie 250 ml Weißweinessig in die Garraumvertiefung. Benutzen Sie einen höchstens 6 %-igen Essig ohne Zusätze.	Lassen Sie den Essig bei Umgebungstemperatur 30 Minuten lang die Kalkrückstände auflösen.	Reinigen Sie den Garraum mit warmem Wasser und einem weichen Tuch.
Für die Funktion: SteamBake reinigen Sie den Backofen nach 5 - 10 Garzyklen.		

**Entfernen: Einhängegitter**

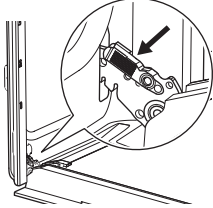
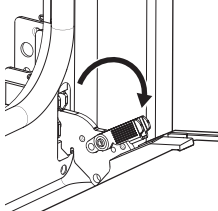
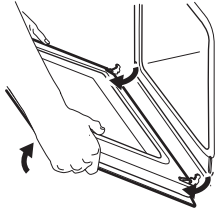

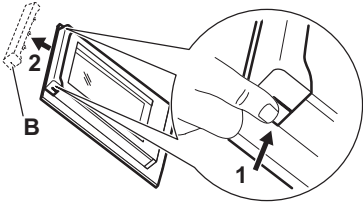

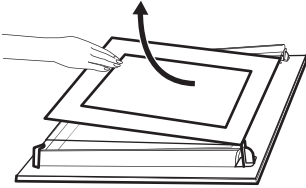
Entfernen Sie Einhängegitter zur Reinigung des Backofens.

<b>Schritt 1</b>	Schalten Sie den Backofen aus und warten Sie, bis er abgekühlt ist.	
<b>Schritt 2</b>	Ziehen Sie das Einhängegitter vorne von der Seitenwand weg.	
<b>Schritt 3</b>	Ziehen Sie das Einhängegitter hinten von der Seitenwand weg und nehmen Sie es heraus.	
<b>Schritt 4</b>	Setzen Sie die Einhängegitter in umgekehrter Reihenfolge ein.	

**Aus- und Einbau: Tür**

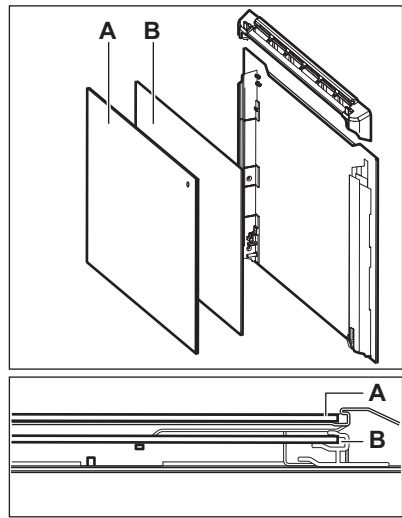
Die Backofentür hat drei Glasscheiben. Sie können die Backofentür und die internen Glasscheiben entfernen, um sie zu reinigen. Lesen Sie die gesamte Anleitung „Aus- und Einbauen der Tür“, bevor Sie die Glasscheiben entfernen.

**⚠ Vorsicht!** Verwenden Sie den Backofen nicht ohne die Glasscheiben.

<p><b>Schritt 1</b></p>	<p>Öffnen Sie die Backofentür vollständig und halten Sie beide Scharniere fest.</p>	
<p><b>Schritt 2</b></p>	<p>Heben und ziehen Sie die Verriegelungen an, bis sie einrasten.</p>	
<p><b>Schritt 3</b></p>	<p>Schließen Sie die Backofentür halb bis zur ersten Öffnungsstellung. Anschließend heben und ziehen Sie die Tür aus der Aufnahme heraus.</p>	
<p><b>Schritt 4</b></p>	<p>Legen Sie die Tür auf einer stabilen Oberfläche auf ein weiches Tuch.</p>	
<p><b>Schritt 5</b></p>	<p>Fassen Sie die Türabdeckung (B) an der Oberkante der Tür an beiden Seiten an. Drücken Sie sie nach innen, um den Klippverschluss zu lösen.</p>	
<p><b>Schritt 6</b></p>	<p>Ziehen Sie die Türabdeckung nach vorn, um sie abzunehmen.</p>	
<p><b>Schritt 7</b></p>	<p>Halten Sie die Glasscheiben der Tür an der Oberkante fest und ziehen Sie sie vorsichtig einzeln heraus. Beginnen Sie mit der oberen Glasscheibe. Achten Sie darauf, dass die Glasscheiben vollständig aus den Halterungen gezogen werden.</p>	

<b>Schritt 8</b>	Reinigen Sie die Glasscheiben mit Wasser und Spülmittel. Trocknen Sie die Glasscheiben sorgfältig. Reinigen Sie die Glasscheiben nicht im Geschirrspüler.
<b>Schritt 9</b>	Setzen Sie nach der Reinigung die Glasscheiben, die Türabdeckung und die Backofentür ein und schließen Sie die Hebel beider Scharniere.
Wenn die Tür korrekt installiert ist, hören Sie beim Schließen der Verriegelungen ein Klicken.	

Achten Sie beim Wiedereinsetzen der Glasscheiben (A und B) auf die richtige Reihenfolge. Überprüfen Sie das Symbol / den Aufdruck auf der Seite der Glasscheibe. Jede Glasscheibe sieht anders aus, um den Aus- und Einbau zu erleichtern.  
 Die bedruckte Zone muss der Innenseite der Tür zugewandt sein. Vergewissern Sie sich nach der Montage, dass sich der Glasscheibenrahmen an den bedruckten Zonen nicht rau anfühlt.  
 Bei korrektem Einbau macht die Türabdeckung ein Klickgeräusch.  
 Stellen Sie sicher, dass Sie die mittlere Glasscheibe korrekt in der Aufnahme installieren.



**Austausch: Lampe**

**⚠️ WARNUNG!** Stromschlaggefahr.  
 Die Lampe kann heiß sein.

Halten Sie die Halogenlampe stets mit einem Tuch, um zu verhindern, dass Fettrückstände auf der Lampe einbrennen.

<b>Bevor Sie die Lampe austauschen:</b>		
<b>Schritt 1</b>	<b>Schritt 2</b>	<b>Schritt 3</b>
Schalten Sie den Backofen aus. Warten Sie, bis der Ofen kalt ist.	Trennen Sie den Ofen von der Netzversorgung.	Breiten Sie ein Tuch auf dem Garraumboden aus.

Hintere Lampe

<b>Schritt 1</b>	Drehen Sie die Glasabdeckung und nehmen Sie sie ab.
------------------	---

<b>Schritt 2</b>	Reinigen Sie die Glasabdeckung.
<b>Schritt 3</b>	Ersetzen Sie die Lampe durch eine geeignete, bis 300 °C hitzebeständige Lampe.
<b>Schritt 4</b>	Bringen Sie die Glasabdeckung an.

## IKEA Garantie

### Wie lang ist die IKEA Garantie gültig?

Diese Garantie ist 5 Jahre ab dem Originalkaufdatum Ihres Gerätes bei IKEA gültig. Als Kaufnachweis müssen der Originalkassenbon oder die Originalrechnung vorgelegt werden. Arbeiten, die im Rahmen der Garantie ausgeführt werden, verlängern nicht die Garantiezeit für das Gerät.

### Wer übernimmt den Kundendienst?

Der IKEA Kundendienst wird diesen Service über seinen eigenen Kundendienst oder über ein autorisiertes Partner-Netzwerk durchführen lassen.

### Was deckt die Garantie ab?

Die Garantie deckt Material- und Produktionfehler ab. Sie gilt ab dem Datum, an dem das Elektrogerät bei IKEA gekauft wurde. Diese Garantie gilt nur für private Haushalte. Die Ausnahmen sind unter der Rubrik "Was ist nicht durch diese Garantie abgedeckt?" beschrieben. Innerhalb des Garantiezeitraums werden die Kosten zur Behebung eines Fehlers wie Reparaturen, Ersatzteile, Arbeitszeit und Fahrtkosten abgedeckt, vorausgesetzt, dass das Gerät ohne besonderen Kostenaufwand für die Reparatur zugänglich ist und dass der Fehler direkt auf einen Konstruktionsfehler oder einen Materialfehler zurückgeht, der durch die Garantie abgedeckt ist. Bei diesen Bedingungen gelten die EU-Richtlinien (Nr. 99/44/EG) und die entsprechenden gesetzlichen Vorschriften. Teile, die ersetzt wurden, gehen in das Eigentum von IKEA über.

### Was wird IKEA zur Lösung des Problems tun?

IKEA hat Kundendienste, die das Produkt untersuchen und eigenständig entscheiden, ob das Problem durch die Garantie abgedeckt ist oder nicht. Wenn entschieden wird, dass der Fall unter die Garantie fällt, repariert der IKEA Kundendienst oder ein autorisierter Service-Partner über seinen eigenen Service eigenständig das defekte Produkt, oder sie ersetzen es durch ein gleiches oder durch ein gleichwertiges Produkt.

### Was ist nicht durch diese Garantie abgedeckt?

- Der normale Verschleiß.
- Bewusste oder durch Fahrlässigkeit entstandene Schäden, die durch eine Missachtung der Bedienungsanweisung, eine unsachgemäße Installation oder durch den Anschluss an eine falsche Spannung, sowie Schäden, die durch eine chemische oder elektrochemische Reaktion (Rost, Korrosion oder Wasserschäden eingeschlossen - aber nicht darauf beschränkt) - Schäden, die durch übermäßigen Kalk in der Wasserzuleitung entstanden sind, und Schäden, die durch ungewöhnliche Umweltbedingungen entstanden sind.
- Verbrauchsgüter wie Batterien und Lampen.
- Nicht-funktionale und dekorative Teile, die den normalen Betrieb des Gerätes nicht beeinträchtigen, einschließlich Kratzer und möglicher Farbunterschiede.
- Versehentliche Beschädigung durch Fremdoobjekte der Substanzen und Reinigung oder Loslösen von Filtern,

Drainagesystemen oder Reinigungsmittel-Schubladen.

- Beschädigung folgender Teile: Glaskeramik, Zubehör, Geschirr und Besteckkörbe, Zuleitungen und Drainageschläuche-/rohre, Lampen und Lampenabdeckungen, Knöpfe/Wählschalter, Gehäuse und Teile des Gehäuses; es sei denn, es kann nachgewiesen werden, dass diese Schäden durch Produktionsfehler verursacht wurden.
- Fälle, in denen bei einem Besuch des Kundendienstes kein Fehler gefunden werden konnte.
- Reparaturen, die nicht durch unser autorisiertes Kundendienstpersonal und/oder das autorisierte Kundendienstpersonal unserer Vertragspartner ausgeführt wurden, oder Fälle, in denen keine Originalteile verwendet wurden.
- Reparaturen, die durch fehlerhafte und nicht gemäß der Anleitung durchgeführte Installation verursacht wurden.
- Die Nutzung des Gerätes in einer professionellen Art und Weise, d.h. nicht im privaten Haushalt.
- Transportschäden. Wenn ein Kunde das Produkt nach Hause oder an eine andere Adresse transportiert, haftet IKEA nicht für Schäden, die während dieses Transports entstehen. Liefert IKEA das Produkt an die Lieferadresse des Kunden aus, dann sind Schäden, die während der Auslieferung des Produktes entstehen, von der Garantie abgedeckt.
- Die Kosten zur Durchführung der Erstinstallation des IKEA Gerätes. Falls der IKEA Kundendienst oder sein autorisierter Service-Partner das Gerät als Garantiefall instandsetzt oder ersetzt, installiert der Kundendienst oder sein autorisierter Service-Partner bei Bedarf das Gerät auch wieder oder er installiert das Ersatzgerät.

Diese Einschränkung gilt nicht für fehlerfreie Arbeiten, die von qualifiziertem Fachpersonal durchgeführt wurden, um das Gerät an den technischen

Sicherheitsstandard eines anderen EU-Landes anzupassen.

### **Wie gilt die geltende Gesetzgebung des Landes**

Die IKEA Garantie gibt Ihnen spezielle gesetzliche Rechte, die alle lokalen gesetzlichen Anforderungen abdecken oder übertreffen, die einer Änderung von Land zu Land unterworfen sind.

### **Gültigkeitsbereich**

Für Geräte, die in einem EU-Land gekauft und in ein anderes EU-Land mitgenommen werden, stehen die Kundendienstleistungen im Rahmen der Garantiebedingungen bereit, die im neuen Land gültig sind. Eine Verpflichtung, Dienstleistungen im Rahmen der Garantie auszuführen, besteht nur dann, wenn:

- das Gerät den technischen Spezifikationen des Landes, in dem der Garantieanspruch gemacht wird, entspricht, und es in Übereinstimmung mit diesen technischen Spezifikationen des Landes installiert wurde;
- das Gerät in Übereinstimmung mit den Montageanleitungen und den Sicherheitsinformationen im Benutzerhandbuch installiert wurde und diesen Anleitungen und Informationen entspricht.

### **Der spezielle Kundendienst (Service) für IKEA Geräte:**

Bitte zögern Sie nicht, den speziellen IKEA Kundendienst (Service) zu kontaktieren für:

1. einen Anspruch unter dieser Garantie;
2. die Bitte um Klärung von Fragen zur Installation des IKEA Gerätes im speziellen IKEA Küchenmöbel. Der Kundendienst kann keine Fragen beantworten zu:
  - der gesamten IKEA Kücheninstallation;
  - Anschlüsse an die Elektrik (falls das Gerät ohne Netzkabel und Stecker kommt), Anschlüsse an Wasser und Gas, da diese Arbeiten von einem

autorisierten Kundendiensttechniker ausgeführt werden müssen.

3. die Bitte um Klärung von Fragen zu Inhalten des Benutzerhandbuchs und zu Spezifikationen des IKEA Geräts.

Um sicherzustellen, dass wir Sie stets optimal unterstützen, lesen Sie bitte die Montageanleitung und/oder den Bedienungsanleitungsabschnitt dieser Broschüre durch, bevor Sie sich an uns wenden.

### Wie können Sie uns erreichen, wenn Sie uns benötigen?



Auf der letzten Seite dieser Broschüre finden Sie eine vollständige Liste mit offiziellen IKEA Kundendienststellen und den jeweiligen nationalen Telefonnummern.

- i** Damit Sie bei Fragen rasch die zuständige Stelle erreichen, empfehlen wir Ihnen, die am Ende dieser Broschüre aufgelisteten speziellen Telefonnummern zu benutzen. Beziehen Sie sich bitte stets auf die Telefonnummern, die in der Broschüre zu dem jeweiligen Gerät aufgelistet sind, zu dem Sie Fragen haben. Bevor Sie uns anrufen, vergewissern Sie sich, dass Sie die IKEA-Artikelnummer (8-stelliger Code) und die Seriennummer (8-stelliger Code, der auf dem Typenschild zu finden ist) für das Gerät, für das Sie unsere Hilfe benötigen, abgeben müssen.



**BITTE BEWAHREN SIE DEN KAUFBELEG AUF!** Er ist Ihr Kaufnachweis und für einen Garantieanspruch unerlässlich. Bitte beachten Sie, dass auf diesem Kaufbeleg auch die IKEA Artikelbezeichnung und die Nummer (der 8-stellige Zifferncode) für jedes der Geräte, die Sie gekauft haben, vermerkt sind.

### Benötigen Sie zusätzlich Hilfe?

Für alle weiteren Fragen, die sich nicht auf den Kundendienst Ihres Gerätes beziehen, wenden Sie sich bitte an das Call Center der nächsten IKEA-Einrichtung. Wir empfehlen Ihnen, die Dokumentation des Geräts sorgfältig durchzulesen, bevor Sie uns kontaktieren.

## Informazioni per la sicurezza

Leggere attentamente le istruzioni fornite prima di installare e utilizzare l'apparecchiatura. I produttori non sono responsabili di eventuali lesioni o danni derivanti da un'installazione o un uso scorretti. Conservare sempre le istruzioni in un luogo sicuro e accessibile per poterle consultare in futuro.

### **AVVERTENZE DI SICUREZZA**

⚠ Quest'apparecchiatura può essere usata da bambini a partire da 8 anni di età e da adulti con capacità fisiche, sensoriali o mentali limitate o con scarsa esperienza e conoscenza sull'uso dell'apparecchiatura, solamente se sorvegliati o se istruiti relativamente all'utilizzo in sicurezza dell'apparecchiatura, e se hanno compreso i rischi coinvolti. I bambini che hanno meno di 8 anni e le persone con disabilità diffuse e complesse vanno tenuti lontani dall'elettrodomestico, a meno che non vi sia una supervisione continua. Non permettere ai bambini di giocare col dispositivo. Tenere gli imballaggi lontano dai bambini e smaltirli in modo adeguato. I bambini non devono eseguire interventi di pulizia e manutenzione sull'elettrodomestico senza essere supervisionati. Se l'elettrodomestico ha un dispositivo di sicurezza per i bambini sarà opportuno attivarlo.

⚠ **AVVERTENZA:** L'elettrodomestico e le parti accessibili si riscaldano molto durante l'uso. Fare attenzione a non toccare gli elementi riscaldanti.

⚠ **AVVERTENZA:** Assicurarsi che l'elettrodomestico sia spento prima di sostituire la lampadina per evitare la possibilità di scosse elettriche.

⚠ Se il cavo di alimentazione è danneggiato, deve essere sostituito con uno identico dal produttore, da un rappresentante di zona o da altra persona qualificata, per evitare possibili pericoli: pericolo di scosse elettriche.



⚠ Questa apparecchiatura è destinata unicamente all'uso domestico. Non modificare le specifiche tecniche dell'apparecchiatura.

⚠ Per rimuovere i supporti del ripiano, tirare prima la parte anteriore del supporto del ripiano e poi l'estremità posteriore lontano dalle pareti laterali. Installare i supporti ripiani seguendo al contrario la procedura indicata.

⚠ Eseguire sempre la cottura con lo sportello del forno chiuso. Utilizzare i guanti da forno per rimuovere le pentole e gli accessori.

⚠ Non utilizzare una pulitrice a vapore per pulire l'apparecchiatura. Non utilizzare detergenti abrasivi o raschietti di metallo per pulire il vetro dello sportello per non rigare la superficie e causare la rottura del vetro.

⚠ I mezzi per lo scollegamento devono essere incorporati nel cablaggio fisso conformemente alle regole di cablaggio.

⚠ Usare solo la termosonda (sensore temperatura al centro) consigliata per questa apparecchiatura (se applicabile).

## Uso consentito

⚠ Sussiste il rischio di danni, bruciature, scosse elettriche, incendi, esplosioni o difetti all'elettrodomestico.

⚠ L'apparecchiatura è destinata solo alla cottura. Non deve essere utilizzata per altri scopi, ad esempio per riscaldare la stanza.

⚠ Non lasciare l'elettrodomestico incustodito durante il funzionamento. Spegnerlo l'elettrodomestico dopo ogni utilizzo. Assicurarsi che le aperture di ventilazione non siano bloccate.

⚠ Tenere gli indumenti o altri materiali infiammabili lontani dall'apparecchiatura, fino a quando tutti i componenti non si siano raffreddati completamente: pericolo di incendio.

⚠ Se l'apparecchiatura si trova dietro a un pannello anteriore (ad es. una porta), assicurarsi che questo non sia mai chiuso quando l'apparecchiatura è in funzione. Calore e umidità possono accumularsi sul retro di un pannello chiuso causando danni all'apparecchiatura, ai mobili o al pavimento. Non chiudere il pannello del mobile finché l'apparecchiatura non si è raffreddata dopo l'uso.

⚠ Non accendere l'elettrodomestico con le mani bagnate o quando è a contatto con l'acqua. Non esercitare pressione sullo sportello aperto. Prestare attenzione durante la rimozione dello sportello dall'elettrodomestico. La porta è pesante. Non utilizzare l'elettrodomestico come superficie di lavoro o come superficie di deposito.

⚠ Prestare attenzione durante l'apertura della porta dell'elettrodomestico, quando quest'ultimo è in funzione. Può esservi un rilascio di aria calda. Non appoggiare o tenere liquidi o materiali infiammabili, né oggetti facilmente infiammabili sull'apparecchiatura, al suo interno o nelle immediate vicinanze. Quando si immergono gli alimenti nell'olio bollente, questo potrebbe schizzare. Non lasciare scintille o fiamme libere a contatto con l'elettrodomestico quando si apre lo sportello. Aprire lo sportello dell'elettrodomestico attentamente. L'utilizzo di ingredienti con alcol può provocare una miscela di alcol e aria.

⚠ Per evitare danni o lo scolorimento dello smalto:

- Non collocare pirofile o altri oggetti all'interno dell'elettrodomestico direttamente sul fondo.
- Non collocare la pellicola di alluminio direttamente sul fondo della cavità dell'elettrodomestico.
- Non versare acqua direttamente all'interno dell'elettrodomestico caldo.
- Non conservare piatti e alimenti umidi all'interno dell'elettrodomestico dopo aver terminato la cottura.
- Prestare attenzione in fase di rimozione o installazione degli accessori.

⚠ Usare una leccarda per torte umide. I succhi di frutta causano macchie che

possono essere permanenti. Lo scolorimento dello smalto o dell'acciaio inox non influisce sulle prestazioni dell'elettrodomestico.

⚠ Pulire regolarmente l'elettrodomestico per evitare il deterioramento dei materiali che compongono la superficie. Prima di eseguire la manutenzione, disattivare l'elettrodomestico e scollegarlo dalla rete elettrica. Assicurarsi che l'apparecchiatura sia raffreddata prima di qualsiasi intervento di pulizia o manutenzione: pericolo di ustioni. Prestare attenzione durante la rimozione dello sportello dall'elettrodomestico. La porta è pesante. Possibile rischio di rottura dei pannelli in vetro. Sostituire immediatamente i pannelli in vetro dello sportello quando sono danneggiati. Contattare il Centro Assistenza Autorizzato.

⚠ Pulire l'apparecchiatura con un panno inumidito e morbido. Utilizzare solo detergenti neutri. Non usare prodotti abrasivi, spugnette abrasive, solventi od oggetti metallici. Non pulire lo smalto catalitico (ove presente) con detergenti. I residui di grasso e di cibo nell'apparecchiatura possono provocare un incendio. Non rimuovere le manopole dall'apparecchiatura (se applicabile). Se si utilizza uno spray per il forno, seguire attentamente le istruzioni di sicurezza sulla confezione.

## Installazione

⚠ L'apparecchiatura deve essere maneggiata e installata da due o più persone - rischio di infortuni. Utilizzare sempre guanti di sicurezza e calzature adeguate: pericolo di tagli.

⚠ L'installazione, compresi i collegamenti alla rete idrica (se presente) e i collegamenti elettrici, le operazioni di manutenzione o riparazione che richiedono la rimozione di un coperchio di protezione contro

l'esposizione all'energia a microonde (se presente) e le riparazioni devono essere eseguite da un installatore autorizzato. Attenersi alle istruzioni di montaggio fornite unitamente all'apparecchiatura. Rimuovere tutti i materiali di imballaggio. Assicurarsi che l'apparecchiatura non abbia subito danni durante il trasporto. In caso di problemi, contattare il rivenditore o il Centro di assistenza tecnica autorizzato più vicino. Non installare o utilizzare un'apparecchiatura danneggiata.

⚠ Installare l'apparecchiatura in un luogo sicuro e idoneo che soddisfi i requisiti di installazione. Non utilizzare l'apparecchiatura prima di installarla nella struttura a incasso. Non tirare l'apparecchiatura per la maniglia. Rispettare la distanza minima dalle altre apparecchiature e unità. Prima di montare l'apparecchiatura controllare che la porta del forno si apra senza limitazioni.

⚠ Assicurarsi che l'apparecchiatura sia spenta e scollegata dalla rete elettrica prima

di eseguire qualsiasi operazione di manutenzione: pericolo di scosse elettriche. Durante l'installazione, assicurarsi che l'apparecchiatura non danneggi il cavo di alimentazione: rischio di incendio o scosse elettriche. Attivare l'apparecchiatura solo al termine dell'installazione.

⚠ Non ostruire lo spazio minimo tra il piano di lavoro e il bordo superiore del forno: pericolo di ustioni.

## Avvertenze elettriche

⚠ Rischio di incendio e scossa elettrica.

⚠ Assicurarsi che i parametri sulla targhetta siano compatibili con i valori nominali della rete elettrica.

⚠ Non utilizzare prolunghe, prese multiple o adattatori. Non utilizzare l'apparecchiatura se il cavo di alimentazione o la spina sono danneggiati, se l'apparecchiatura non funziona correttamente o se è stata danneggiata o lasciata cadere.

L'apparecchiatura deve essere collegata a terra. Utilizzare sempre una presa con contatto di protezione correttamente installata. La protezione contro gli urti delle parti sotto tensione e isolate deve essere fissata in modo tale che non possa essere rimossa senza attrezzi. Dopo l'installazione, i componenti elettrici non devono essere accessibili all'utente.

⚠ L'impianto elettrico deve essere dotato di un dispositivo di isolamento che consenta di scollegare l'apparecchiatura dalla presa di corrente a tutti i poli. Il dispositivo di isolamento deve avere un'apertura di contatto di almeno 3 mm. Utilizzare solo dispositivi di isolamento appropriati: interruttori automatici, fusibili (quelli a vite devono essere rimossi dal portafusibili), salvavita con messa a terra e contattori.

⚠ Inserire la spina di alimentazione nella presa solo al termine del processo di installazione. Chiudere completamente la porta dell'apparecchiatura prima di collegare la spina alla presa elettrica. Verificare che la spina di alimentazione rimanga accessibile dopo l'installazione. Se la presa di alimentazione è allentata, non collegare la spina. Non tirare il cavo di alimentazione per scollegare l'apparecchiatura. Tirare sempre la spina. Evitare che i cavi entrino a contatto o si trovino vicino alla porta dell'apparecchiatura o lo spazio sotto all'apparecchiatura, in particolare quando il dispositivo è in funzione o la porta è calda.

⚠ Per sostituire il cavo di alimentazione, contattare il centro di assistenza tecnica autorizzato.


⚠ Questo prodotto contiene una sorgente luminosa di classe di efficienza energetica G.

⚠ Informazioni relative alla lampadina (o lampadine) all'interno di questo prodotto e alle lampadine di ricambio in vendita separatamente: queste lampadine sono progettate per resistere a condizioni fisiche estreme negli elettrodomestici, come temperatura, vibrazioni, umidità o sono destinate a segnalare informazioni sullo stato operativo dell'elettrodomestico. Non sono destinate all'uso in altre applicazioni e


non sono idonee per l'illuminazione di ambienti domestici.

## Considerazioni sull'ambiente


### AVVERTENZE DI SICUREZZA

 Prima dello smaltimento, scollegare l'apparecchiatura dalla rete elettrica. Tagliare il cavo elettrico in prossimità dell'apparecchiatura e gettarlo. Rimuovere il fermo della porta per evitare che bambini o animali domestici rimangano intrappolati nell'apparecchiatura: rischio di lesioni o soffocamento.

### SMALTIMENTO DEI MATERIALI DI IMBALLAGGIO

Riciclare i materiali con il simbolo . Per riciclare la confezione, metterla negli appositi contenitori.

### ROTTAMAZIONE DI ELETTRODOMESTICI

Aiutare a proteggere l'ambiente e la salute umana riciclando rifiuti derivanti da apparecchiature elettriche ed elettroniche. Non smaltire le apparecchiature che riportano il simbolo  insieme ai normali rifiuti domestici. Portare il prodotto al punto di riciclaggio più vicino o contattare il comune di residenza.

### CONSIGLI PER IL RISPARMIO ENERGETICO

**NOTA:** L'apparecchiatura è dotata di funzioni che consentono di risparmiare energia durante le operazioni di cottura di tutti i giorni.

Verificare che la porta del forno sia chiusa correttamente quando il forno è in funzione. Non aprire troppo spesso la porta durante la cottura. Tenere pulita la guarnizione della

porta e assicurarsi che sia ben fissata nella posizione corretta. Utilizzare piatti di metallo per migliorare il risparmio energetico. Quando possibile, non preriscaldare il forno prima di collocare gli alimenti all'interno.

Se la durata di cottura è più lunga di 30 minuti, ridurre la temperatura del forno come minimo di 3 - 10 minuti prima della fine del tempo di cottura, in funzione della durata della cottura. La cottura proseguirà grazie al calore residuo all'interno del forno.

Utilizzare il calore residuo per scaldare altri piatti. Tenere le interruzioni di cottura le più brevi possibili quando si preparano pochi piatti alla volta. Scegliere l'impostazione di temperatura più bassa per sfruttare il calore residuo e mantenere calda la pietanza.


Ove possibile, servirsi delle funzioni di cottura con la ventola per risparmiare energia.

Se è attivato un programma con la selezione di Durata o Ora fine e il tempo di cottura è più lungo di 30 minuti, gli elementi riscaldanti si disattivano automaticamente in anticipo in alcune funzioni del forno (ove previsto).


Se possibile, spegnere la lampada durante la cottura. Accenderla solo quando è necessario.


Cottura ventilata umida (ove prevista): Funzione progettata per risparmiare energia in fase di cottura. Quando viene usata questa funzione la luce si spegne.


## Pulizia e cura

 **AVVERTENZA!** Fare riferimento ai capitoli sulla sicurezza.

## Note sulla pulizia

 <p><b>Agenti di pulizia</b></p>	Pulire la parte anteriore dell'apparecchiatura solo con un panno in microfibra imbevuto di acqua tiepida e detergente delicato. Pulire e controllare la guarnizione della porta attorno al telaio della cavità.
	Servirsi di una soluzione detergente per pulire le superfici metalliche.
	Pulire le macchie con un detergente delicato.

 <p><b>Uso quotidiano</b></p>	Pulire la cavità dopo ogni utilizzo. L'accumulo di grasso o di altri residui potrebbe causare un incendio.
	L'umidità può formare condensa nell'apparecchiatura o sui pannelli di vetro dello sportello. Per ridurre la condensa, mettere in funzione l'apparecchiatura 10 minuti prima di iniziare a cucinare. Non lasciare le vivande nell'apparecchiatura per più di 20 minuti. Asciugare la cavità dopo ogni utilizzo solo con un panno in microfibra.

 <p><b>Accessori</b></p>	Pulire tutti gli accessori dopo ogni utilizzo e lasciarli asciugare. Utilizzare solo un panno in microfibra imbevuto di acqua tiepida e un detergente delicato. Non pulire gli accessori in lavastoviglie.
	Non pulire gli accessori anti-aderenti con agenti abrasivi o oggetti appuntiti.

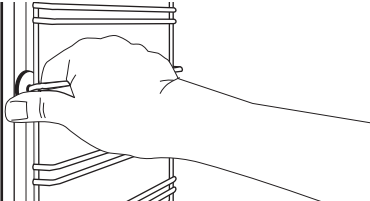
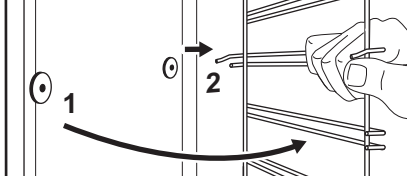
## Come eseguire la pulizia: Goffratura cavità

Pulire la goffratura della cavità per rimuovere i residui di calcare dopo la pulizia con il vapore.

Passaggio 1	Passaggio 2	Passaggio 3
Versare: 250 ml di aceto bianco nella goffratura cavità. Utilizzare al massimo 6% di aceto senza additivi.	Lasciare che l'aceto dissolva il calcare residuo a temperatura ambiente per 30 minuti.	Pulire la cavità con acqua tiepida e un panno morbido.
Per la funzione: SteamBake pulire il forno ogni 5 - 10 cicli di cottura.		

## Come rimuovere: Supporti del ripiano

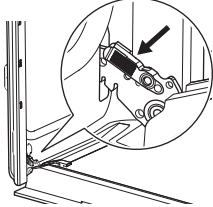
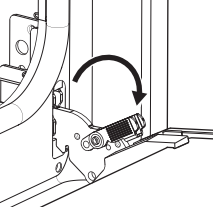
Rimuovere i supporti ripiano per pulire il forno.

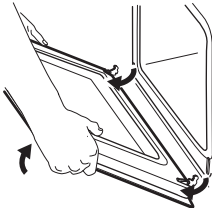
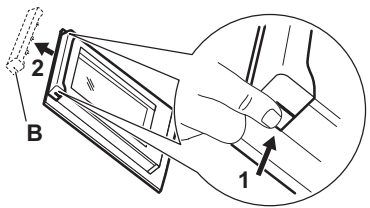
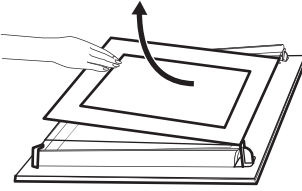
<b>Passaggio 1</b>	Spegner il forno e attendere che si raffreddi.	
<b>Passaggio 2</b>	Sfilare dapprima la guida di estrazione dalla parete laterale tirandola in avanti.	
<b>Passaggio 3</b>	Estrarre la parte posteriore del supporto ripiano dalla parete laterale e rimuoverla.	
<b>Passaggio 4</b>	Installare i supporti ripiani seguendo al contrario la procedura indicata.	

### Procedura di rimozione e installazione: Sportello

La porta del forno ha tre pannelli in vetro. È possibile rimuovere la porta del forno e i pannelli in vetro interni per pulirli. Leggere tutte le istruzioni "Rimozione e installazione della porta" prima di togliere i pannelli in vetro.

**⚠ ATTENZIONE!** Non utilizzare il forno senza i pannelli in vetro.

<b>Passaggio 1</b>	Aprire completamente la porta e tenere le due cerniere.	
<b>Passaggio 2</b>	Sollevare e tirare i fermi fino a quando non fanno clic.	

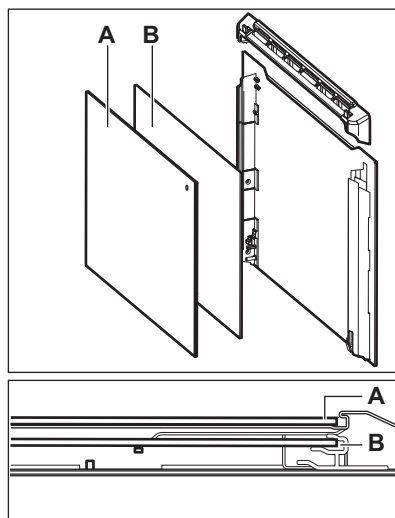
<b>Passaggio 3</b>	Chiudere la porta del forno fino alla prima posizione di apertura. Quindi sollevare e tirare per rimuovere la porta dalla sua sede.	
<b>Passaggio 4</b>	Appoggiare la porta su un panno morbido su una superficie stabile.	
<b>Passaggio 5</b>	Tenere il rivestimento della porta (B) sul bordo superiore della porta da entrambi i lati e spingere verso l'interno per sbloccare la guarnizione a clip.	
<b>Passaggio 6</b>	Rimuovere il rivestimento tirandolo in avanti.	
<b>Passaggio 7</b>	Tenere i pannelli in vetro della porta per l'estremità superiore ed estrarli con attenzione, uno alla volta. Iniziare dal pannello superiore. Verificare che il vetro scorra completamente fino a uscire dai supporti.	
<b>Passaggio 8</b>	Pulire i pannelli in vetro con acqua e sapone. Asciugare accuratamente i pannelli in vetro. Non pulire i pannelli in vetro in lavastoviglie.	
<b>Passaggio 9</b>	Al termine della pulizia installare i pannelli in vetro, il profilo della porta e la porta del forno, quindi chiudere i fermi sulle due cerniere.	
Se la porta è installata correttamente, si sentirà uno clic quando si chiudono i fermi.		

Assicurarsi di rimontare i pannelli in vetro (A e B) nell'ordine esatto. Controllare il simbolo / la stampa sul lato del pannello in vetro, ciascuno dei pannelli in vetro è diverso per semplificare le operazioni di smontaggio e montaggio.

La zona serigrafata deve essere rivolta verso il lato interno della porta. Verificare che dopo l'installazione, la superficie della cornice del pannello in vetro, nelle zone serigrafate, non risulti ruvida al tatto.

Se installato correttamente, il profilo della porta emette un clic.

Assicurarsi di installare correttamente nelle sedi il pannello in vetro centrale.



### Come sostituire: Lampadina

**⚠ AVVERTENZA!** Pericolo di scosse elettriche.  
La lampada potrebbe essere calda.

Tenere sempre la lampadina alogena con uno straccio, per evitare che dei residui di grasso vi brucino sopra.

#### Prima di sostituire la lampadina:

Passaggio 1	Passaggio 2	Passaggio 3
Spegnere il forno. Attendere che il forno sia freddo.	Estrarre la spina dalla presa di corrente.	Appoggiare un panno sul fondo della cavità.

#### Lampadina posteriore

<b>Passaggio 1</b>	Girare il rivestimento di vetro per toglierlo.
<b>Passaggio 2</b>	Pulire il coperchio in vetro.
<b>Passaggio 3</b>	Sostituire la lampadina con una resistente al calore fino a 300 °C.



<b>Passaggio 4</b>	Installare il coperchio in vetro.
--------------------	-----------------------------------

## GARANZIA IKEA

### Validità della garanzia

La presente garanzia è valida per 5 anni a partire dalla data di acquisto originale del vostro elettrodomestico presso un punto vendita IKEA. Lo scontrino originale è indispensabile come ricevuta d'acquisto. Una riparazione effettuata nell'ambito della garanzia non estende il periodo di garanzia per l'elettrodomestico.

### Chi fornisce il servizio ai clienti?

L'assistenza ai clienti sarà garantita dal fornitore del servizio nominato da IKEA attraverso la propria organizzazione o la propria rete di partner di assistenza autorizzati.

### Cosa copre la garanzia?

La garanzia copre gli eventuali difetti legati ai materiali e o alla costruzione dell'elettrodomestico ed è valida a partire dalla data di acquisto dell'elettrodomestico presso un punto vendita IKEA. La garanzia è valida solo su elettrodomestici destinati all'impiego domestico. Le eccezioni sono descritte alla voce "Cosa non copre la garanzia". Nel periodo di validità della garanzia, il fornitore del servizio nominato da IKEA sosterrà i costi per la riparazione, i pezzi di ricambio, la manodopera e le trasferte del personale di manutenzione, ammesso che il prodotto possa essere riparato senza costi troppo elevati e che il difetto legato ai materiali o alla costruzione rientri nella copertura della garanzia. Queste condizioni sono conformi alle direttive EU (N. 99/44/CE) e alle norme e disposizioni locali applicabili. Le parti sostituite diventeranno di proprietà di IKEA.

### Come interverrà IKEA per risolvere il problema?

Il fornitore del servizio nominato da IKEA esaminerà il prodotto e deciderà a propria esclusiva discrezione se lo stesso rientra nella copertura della garanzia. In caso affermativo, il fornitore del servizio nominato da IKEA o un suo partner di assistenza autorizzato provvederà a propria esclusiva discrezione a riparare il prodotto difettoso o a sostituirlo con un prodotto uguale o equivalente.

### Cosa non copre la garanzia

- Normale usura.
- Danni provocati deliberatamente o per negligenza e danni provocati dalla mancata osservanza delle istruzioni di funzionamento, da un'installazione non corretta o dal collegamento a un voltaggio errato. Danni provocati da reazioni chimiche o elettrochimiche, ruggine, qualità dell'acqua (per esempio presenza di eccessivo calcare nelle condutture idriche), eventi atmosferici o condizioni ambientali anomale.
- Parti soggette ad usura, per esempio batterie e lampadine.
- Danni a parti decorative e non funzionali che non influiscono sul normale utilizzo dell'elettrodomestico, per esempio graffi e variazioni di colore.
- Danni a parti come vetroceramica, accessori, cesti per stoviglie e posate, tubi di alimentazione e scarico, guarnizioni, lampadine e relative coperture, schermi, pomelli, rivestimenti e parti di rivestimenti o involucri, salvo
- Danni a parti come vetroceramica, accessori, cesti per stoviglie e posate, tubi di alimentazione e scarico, guarnizioni, lampadine e relative coperture, schermi, pomelli, rivestimenti e parti di rivestimenti o involucri, salvo qualora si

possa provare che tali danni sono stati causati da difetti di produzione.

- Casi in cui non siano rilevati difetti durante la visita di un tecnico.
- Riparazioni non effettuate dal fornitore del servizio nominato da IKEA o da un partner di assistenza autorizzato o riparazioni in cui siano state utilizzate parti non originali.
- Riparazioni causate da installazione impropria o non conforme alle specifiche.
- Uso dell'elettrodomestico in ambiente non domestico, per esempio per uso professionale o commerciale.
- Danni dovuti al trasporto. In caso di trasporto effettuato dal cliente presso la propria abitazione o un altro recapito, IKEA non potrà ritenersi responsabile per eventuali danni verificatisi durante il trasporto. Tuttavia, se il trasporto presso il recapito del cliente è effettuato da IKEA, gli eventuali danni dovuti al trasporto rientreranno nella presente garanzia.
- Costo di installazione iniziale dell'apparecchiatura IKEA. Se un fornitore di servizio nominato da IKEA o un suo partner di assistenza autorizzato effettua una riparazione o sostituzione dell'apparecchiatura nell'ambito della garanzia, il fornitore o il partner di assistenza dovrà provvedere anche alla reinstallazione dell'apparecchiatura riparata o all'installazione dell'apparecchiatura sostitutiva, se necessario.

Tali limitazioni non si applicano a lavori eseguiti a regola d'arte da personale qualificato e con l'uso di parti originali per adattare l'elettrodomestico alle norme di sicurezza di un'altra nazione dell'UE.

### Applicabilità delle leggi nazionali

La garanzia IKEA conferisce al cliente diritti legali specifici in aggiunta ai diritti previsti dalla legge e variabili a seconda dei paesi.

### Area di validità

Per gli elettrodomestici acquistati in una nazione UE e trasferiti in un'altra nazione UE, i servizi saranno forniti in base alle

condizioni di garanzia applicabili nella nuova nazione. L'obbligo di fornire il servizio in base alle condizioni della garanzia sussiste solo se:

- l'elettrodomestico è conforme alle specifiche tecniche del paese in cui è richiesta l'applicazione della garanzia;
- l'elettrodomestico è conforme e installato conformemente alle Istruzioni di montaggio e alle informazioni per la sicurezza contenute nel Manuale d'uso;

### Servizio Assistenza dedicato agli elettrodomestici IKEA:

Non esitate a contattare il Servizio Assistenza IKEA per:

1. usufruire della garanzia;
2. chiedere chiarimenti sull'installazione degli elettrodomestici IKEA nei mobili da incasso specifici di IKEA. Il servizio non fornirà assistenza o chiarimenti in merito a:
  - installazione di cucine complete IKEA;
  - collegamenti elettrici (se l'apparecchio è fornito senza cavi e spine), allacciamenti idraulici e collegamenti all'impianto del gas che devono essere eseguiti da un tecnico di assistenza autorizzato.
3. chiedere chiarimenti sul contenuto del manuale d'uso e su specifiche dell'elettrodomestico IKEA.

Per garantirvi la migliore assistenza, Vi preghiamo di leggere attentamente le Istruzioni di montaggio e/o il Manuale d'uso prima di contattarci.

### Come contattarci se avete bisogno del nostro intervento



Consultare l'elenco completo dei fornitori di servizio IKEA e dei relativi numeri di telefono nell'ultima pagina del presente manuale.

**i** Per garantirVi un servizio più rapido, raccomandiamo di utilizzare i numeri di telefono elencati alla fine del presente manuale. Quando richiedete assistenza, fate sempre riferimento ai codici specifici dell'elettrodomestico che trovate nel presente manuale. Prima di contattarci, accertati di avere a portata di mano il numero dell'articolo IKEA (codice a 8 cifre) e il numero di serie (codice a 8 cifre riportato sulla targhetta di classificazione) dell'elettrodomestico per il quale necessiti di assistenza.

**i** **CONSERVATE LO SCONTRINO!**  
E' la Vostra prova di acquisto ed è necessario esibirlo per poter usufruire della garanzia. Sullo scontrino sono riportati anche il nome e il codice (a 8 cifre) dell'elettrodomestico IKEA che avete acquistato.

### **Vi serve altro aiuto?**

Per ulteriori domande non inerenti il servizio assistenza sulle apparecchiature, contattare il più vicino punto vendita IKEA. Vi preghiamo di leggere attentamente la documentazione dell'apparecchiatura prima di contattarci.

Country	Phone number	Call Fee	Opening time
België	070 246016	Binnenlandse gesprekskosten	8 tot 20 Weekdagen
Belgique		Tarif des appels nationaux	8 à 20. En semaine
България	+359 2 492 9397	Според тарифата на оператора за обаждания към стационарен номер	От 8:30 до 17:30 ч в работни дни
Česká Republika	246 019721	Cena za místní hovor	8 až 20 v pracovních dnech
Danmark	70 15 09 09	Landstakst	man. - fre. 09.00 - 20.00 lør. - søn. 09.00 - 18.00
Deutschland	+49 1806 33 45 32*	* 0,20 €/Verbindung aus dem Festnetz max. 0,60 €/Verbindung aus dem Mobilfunknetz	Werktags von 8.00 bis 20.00
Ελλάδα	211 176 8276	Υπεραστική κλήση	8 έως 20 κατά τις εργάσιμες ημέρες
España	91 1875537	Tarifa de llamadas nacionales	De 8 a 20 en días laborables
France	0170 36 02 05	Tarif des appels nationaux	9 à 21. En semaine
Hrvatska	00385 1 6323 339	Cijena ovisi o pružatelju telefonske usluge korisnika	radnim danom od ponedjeljka do petka od 08:00 do 16:00
Ireland	0 14845915	National call rate	8 till 20 Weekdays
Ísland	+354 5852409	Innanlandsgjald fyrir síma	9 til 18. Virka daga
Italia	02 00620818	Tariffa applicata alle chiamate nazionali	dalle 8 alle 20 nei giorni feriali
Κυπρος	22 030 529	Υπεραστική κλήση	8.30 έως 16.30 κατά τις εργάσιμες ημέρες
Lietuva	5 230 06 99	Nacionalinių pokalbių tarifai	Pr. - Ketv.: 8:00 - 12:00, 12:45 - 17:00 Pnkt.: 8:00 - 12:00, 12:45 - 15:45
Magyarország	06-1-252-1773	Belföldi díjszabás	Hétköznap 8.00 és 17.00 óra között
Nederland Luxembourg	050-7111267 (0900-BEL IKEA) +31 507111267 (international)	Geen extra kosten. Alleen lokaal tarief.	ma-vr: 8.00 - 21.00 zat: 9.00 - 21.00 zon / pub. vakantie: 10.00 - 18.00
Norge	22 72 35 00	Takst innland	8 til 18 ukedager
Österreich	+43-1-2056356	max. 10 Cent/min.	Mo - Fr 8.00 - 20.00 Uhr
Polska	801 400 711 and +48 22 749 60 99	Koszt zgodny z taryfą operatora	Od 8 do 20 w dni robocze
Portugal	211557985	Chamada Nacional	9 às 21. Dias de Semana *excepto feriados
România	021 211 08 88	Tarif apel național	8 - 20 în zilele lucrătoare
Россия	8 495 6662929	Действующие телефонные тарифы	с 8 до 20 по рабочим дням Время московское
Schweiz	031 5500 324	Tarif für Anrufe im Bundesgebiet	8 bis 20 Werkstage
Suisse		Tarif des appels nationaux	8 à 20. En semaine
Svizzera		Tariffa applicata alle chiamate nazionali	dalle 8 alle 20 nei giorni feriali
Slovenija	+38618108621	lokalni strošek je običajna tržna vrednost, odvisna od ponudnika telefonije	8.00 - 16.00 ob delavnikih
Slovensko	(02) 3300 2554	Cena vnútroštátneho hovoru	8 až 20 v pracovných dňoch
Suomi	030 6005203	pvm/mpm	Ma - To 8:00 -18:00 Pe 9:00 -16:00
Sverige	0775 700 500	lokalsamtal (lokal taxa)	mån-fre 8.30 - 20.00 lör-sön 9.30 - 18.00
United Kingdom	020 3347 0044	National call rate	9 till 21. Weekdays
Србија	+381 11 7 555 444 (ако позивате изван Србије) 011 7 555 444 (ако позивате из Србије)	Цена позива у националном саобраћају	Понедељак - субота: 09 - 20 Недеља: 09 - 18
Eesti, Latvija, Україна			www.ikea.com

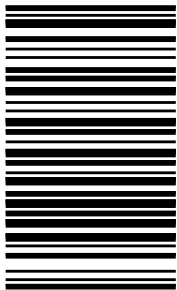








867376551-A-462022



© Inter IKEA Systems B.V. 2022

21552

AA-2350311-1