

KÖLDGRADER

GB

IS



Design and Quality
IKEA of Sweden



ENGLISH

Please refer to the last page of this manual for the full list of IKEA appointed After Sales Service Provider and relative national phone numbers.



ÍSLENSKA

Á öftustu síðu þessarar handbók er skrá yfir alla veitendur eftirsöluþjónustu sem útnefndir hafa verið af IKEA og viðeigandi símanúmer í hverju landi.

ENGLISH	4
ÍSLENSKA	34

Contents

Safety information	4	Care and cleaning	24
Safety instructions	6	Troubleshooting	24
Installation	8	Noises	29
Product description	12	Technical data	29
Control panel	13	Information for test institutes	31
First use	16	Environmental concerns	31
Daily use	17	IKEA guarantee	31
Hints and tips	21		

Subject to change without notice.

Safety information

Before the installation and use of the appliance, carefully read the supplied instructions. The manufacturer is not responsible for any injuries or damage that are the result of incorrect installation or usage. Always keep the instructions in a safe and accessible location for future reference.

Children and vulnerable people safety

- This appliance can be used by children aged from 8 years and above and persons with reduced physical, sensory or mental capabilities or lack of experience and knowledge if they have been given supervision or instruction concerning the use of the appliance in a safe way and understand the hazards involved.
- Children aged from 3 to 8 years are allowed to load and unload the appliance provided that they have been properly instructed.
- This appliance may be used by persons with very extensive and complex disabilities provided that they have been properly instructed.
- Children of less than 3 years of age should be kept away from the appliance unless continuously supervised.

- Children should be supervised to ensure that they do not play with the appliance.
- Children shall not carry out cleaning and user maintenance of the appliance without supervision.
- Keep all packaging away from children and dispose of it appropriately.

General Safety

- This appliance is for storing food and beverages only.
- This appliance is designed for single household domestic use in an indoor environment.
- This appliance may be used in, offices, hotel guest rooms, bed & breakfast guest rooms, farm guest houses and other similar accommodation where such use does not exceed (average) domestic usage levels.
- To avoid contamination of food respect the following instructions:
 - do not open the door for long periods;
 - clean regularly surfaces that can come in contact with food and accessible drainage systems;
 - store raw meat and fish in suitable containers in the refrigerator, so that it is not in contact with or drip onto other food.
- **WARNING:** Keep ventilation openings, in the appliance enclosure or in the built-in structure, clear of obstruction.
- **WARNING:** Do not use mechanical devices or other means to accelerate the defrosting process, other than those recommended by the manufacturer.
- **WARNING:** Do not damage the refrigerant circuit.
- **WARNING:** Do not use electrical appliances inside the food storage compartments of the appliance, unless they are of the type recommended by the manufacturer.
- Do not use water spray and steam to clean the appliance.

- Clean the appliance with a moist soft cloth. Only use neutral detergents. Do not use abrasive products, abrasive cleaning pads, solvents or metal objects.
- When the appliance is empty for long period, switch it off, defrost, clean, dry and leave the door open to prevent mould from developing within the appliance.
- Do not store explosive substances such as aerosol cans with a flammable propellant in this appliance.
- If the supply cord is damaged, it must be replaced by the manufacturer, its Authorised Service Centre or similarly qualified persons in order to avoid a hazard.

Safety instructions

Installation

- ⚠ **Warning!** Only a qualified person must install this appliance.
- Remove all the packaging.
- Do not install or use a damaged appliance.
- Do not use the appliance before installing it in the built-in structure due to safety manner.
- Follow the installation instructions supplied with the appliance.
- Always take care when moving the appliance as it is heavy. Always use safety gloves and enclosed footwear.
- Make sure the air can circulate around the appliance.
- At first installation or after reversing the door wait at least 4 hours before connecting the appliance to the power supply. This is to allow the oil to flow back in the compressor.
- Before carrying out any operations on the appliance (e.g. reversing the door), remove the plug from the power socket.
- Do not install the appliance close to radiators or cookers, ovens or hobs.
- Do not expose the appliance to the rain.
- Do not install the appliance where there is direct sunlight.

- Do not install this appliance in areas that are too humid or too cold.
- When you move the appliance, lift it by the front edge to avoid scratching the floor.
- The appliance contains a bag of desiccant. This is not a toy. This is not food. Please dispose of it immediately.

Electrical connection

- ⚠ **Warning!** Risk of fire and electric shock.
- ⚠ **Warning!** When positioning the appliance, ensure the supply cord is not trapped or damaged.
- ⚠ **Warning!** Do not use multi-plug adapters and extension cables.
- The appliance must be earthed.
- Make sure that the parameters on the rating plate are compatible with the electrical ratings of the mains power supply.
- Always use a correctly installed shockproof socket.
- Make sure not to cause damage to the electrical components (e.g. mains plug, mains cable, compressor). Contact the

Authorised Service Centre or an electrician to change the electrical components.

- The mains cable must stay below the level of the mains plug.
- Connect the mains plug to the mains socket only at the end of the installation. Make sure that there is access to the mains plug after the installation.
- Do not pull the mains cable to disconnect the appliance. Always pull the mains plug.

Use



Warning! Risk of injury, burns, electric shock or fire.



The appliance contains flammable gas, isobutane (R600a), a natural gas with a high level of environmental compatibility. Be careful not to cause damage to the refrigerant circuit containing isobutane.

- Do not change the specification of this appliance.
- Any use of the built-in product as free-standing is strictly prohibited.
- Do not put electrical appliances (e.g. ice cream makers) in the appliance unless they are stated applicable by the manufacturer.
- If damage occurs to the refrigerant circuit, make sure that there are no flames and sources of ignition in the room. Ventilate the room.
- Do not let hot items to touch the plastic parts of the appliance.
- Do not put soft drinks in the freezer compartment. This will create pressure on the drink container.
- Do not store flammable gas and liquid in the appliance.
- Do not put flammable products or items that are wet with flammable products in, near or on the appliance.
- Do not touch the compressor or the condenser. They are hot.
- Do not remove or touch items from the freezer compartment if your hands are wet or damp.

- Do not freeze again food that has been thawed.
- Follow the storage instructions on the packaging of frozen food.
- Wrap the food in any food contact material before putting it in the freezer compartment.

Internal lighting



Warning! Risk of electric shock.

- This product contains one or more light sources of energy efficiency class F.
- Concerning the lamp(s) inside this product and spare part lamps sold separately: These lamps are intended to withstand extreme physical conditions in household appliances, such as temperature, vibration, humidity, or are intended to signal information about the operational status of the appliance. They are not intended to be used in other applications and are not suitable for household room illumination.

Care and cleaning



Warning! Risk of injury or damage to the appliance.

- Before maintenance, deactivate the appliance and disconnect the mains plug from the mains socket.
- This appliance contains hydrocarbons in the cooling unit. Only a qualified person must do the maintenance and the recharging of the unit.
- Regularly examine the drain of the appliance and if necessary, clean it. If the drain is blocked, defrosted water collects in the bottom of the appliance.

Service

- To repair the appliance contact the Authorised Service Centre. Use original spare parts only.
- Please note that self-repair or non-professional repair can have safety consequences and might void the guarantee.

- The following spare parts will be available for 7 years after the model has been discontinued: thermostats, temperature sensors, printed circuit boards, light sources, door handles, door hinges, trays and baskets. Please note that some of these spare parts are only available to professional repairers, and that not all spare parts are relevant for all models.
- Door gaskets will be available for 10 years after the model has been discontinued.
- Disconnect the appliance from the mains supply.
- Cut off the mains cable and discard it.
- Remove the door to prevent children and pets to be closed inside of the appliance.
- The refrigerant circuit and the insulation materials of this appliance are ozone-friendly.
- The insulation foam contains flammable gas. Contact your municipal authority for information on how to discard the appliance correctly.
- Do not cause damage to the part of the cooling unit that is near the heat exchanger.

Disposal

Warning! Risk of injury or suffocation.

Installation

Warning! Refer to Safety chapters.

Warning! Refer to installation instruction document to install your appliance.

Warning! Fix the appliance in accordance with installation instruction document to avoid a risk of instability of the appliance.



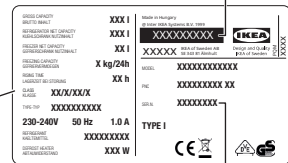
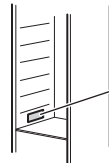
Inspection checklist

Please follow the inspection checklist before using your appliance. If any answer is "NO", follow the relevant action. Remember to write down the product serial number and article number as required and attach your receipt to this page.

Product serial number (Ser. No.):
.....

Product article number (Art. No.):
.....

Purchasing date:
.....

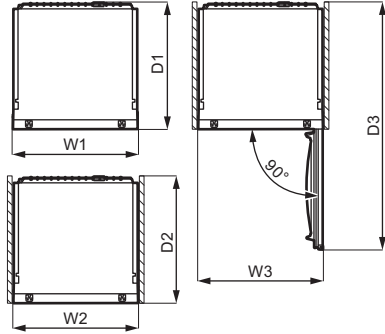
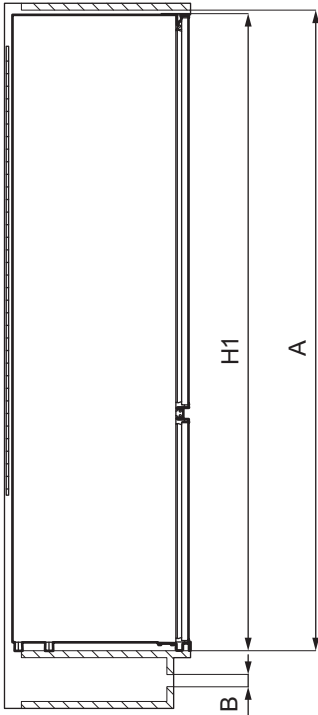


Art. No.

Ser. No.

To check	If the answer is YES	If the answer is NO
Make sure gasket seals all around the door when the door is closed.	No action <input checked="" type="checkbox"/>	Refer to the assembly instruction - door alignment.
Check if there is no collision between parts/furniture while opening and closing the door.	No action <input checked="" type="checkbox"/>	Refer to the assembly instruction - door alignment.
Install the appliance in the built-in structure.	No action <input checked="" type="checkbox"/>	Follow the assembly instruction for the proper installation.
Make sure that at first installation or after reversing the door the appliance stands in vertical position for at least 4 hours before it is connected to the power supply.	No action <input checked="" type="checkbox"/>	Wait 4 hours before connecting the appliance to the power supply.

Dimensions



Overall dimensions ¹		
H1	mm	1884
W1	mm	546
D1	mm	549

¹ the height, width and depth of the appliance without the handle

Space required in use ²		
H2 (A+B)	mm	1936
W2	mm	546
D2	mm	551

Space required in use ²		
A	mm	1894
B	mm	36

² the height, width and depth of the appliance including the handle, plus the space necessary for free circulation of the cooling air

Overall space required in use ³		
H3 (A+B)	mm	1936
W3	mm	546
D3	mm	1068




³ the height, width and depth of the appliance including the handle, plus the space necessary for free circulation of the cooling air, plus the space necessary to allow door opening to the minimum angle permitting removal of all internal equipment

Location

To ensure appliance's best functionality, you should not install the appliance in the nearby of the heat source (oven, stoves, radiators, cookers or hobs) or in a place with direct sunlight. Make sure that air can circulate freely around the back of the cabinet.

This appliance should be installed in a dry, well ventilated indoor position.

This appliance is intended to be used at ambient temperature ranging from 10°C to 43°C.

-  The correct operation of the appliance can only be guaranteed within the specified temperature range.
-  If you have any doubts regarding where to install the appliance, please turn to the vendor, to our customer service or to the nearest Authorised Service Centre.
-  It must be possible to disconnect the appliance from the mains power supply. The plug must therefore be easily accessible after installation.

Electrical connection

Before plugging in, ensure that the voltage and frequency shown on the rating plate correspond to your domestic power supply.

The appliance must be earthed. The power supply cable plug is provided with a contact for this purpose. If the domestic power

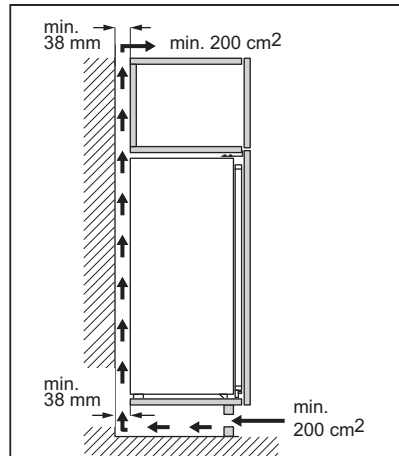
supply socket is not earthed, connect the appliance to a separate earth in compliance with current regulations, consulting a qualified electrician.


The manufacturer declines all responsibility if the above safety precautions are not observed.

This appliance complies with the E.E.C. Directives.

Ventilation requirements


The airflow behind the appliance must be sufficient.



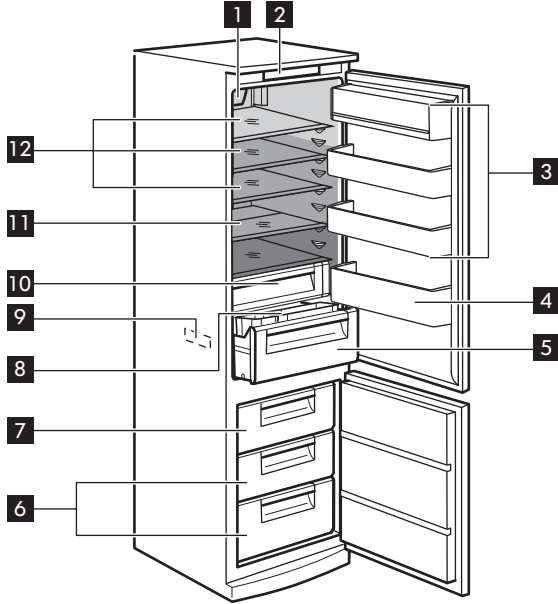
 **Caution!** Refer to the installation instructions for the installation.

Door reversibility

Please refer to the separate document with instructions on installation and door reversal.

 **Caution!** At every stage of reversing the door protect the floor from scratching with a durable material.

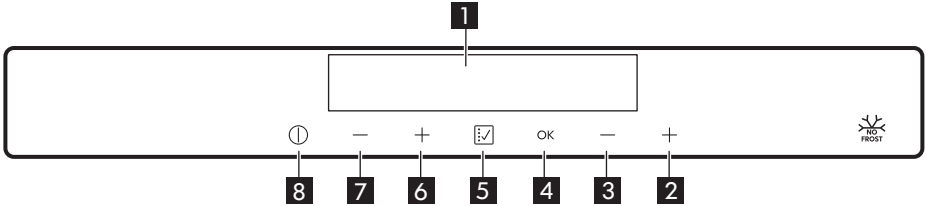
Product description



- 1** Fan-cooling with LED lamp
- 2** Control panel
- 3** Door balconies
- 4** Bottle balcony
- 5** Vegetable drawer
- 6** Freezer drawers
- 7** Freezing drawer
- 8** Sliding shelf with containers
- 9** Rating plate

- 10** Extra Zone
- 11** Extendable half-shelf
- 12** Glass shelves
- Least cold zone
- Intermediate temperature zone
- Coldest zone

Control panel



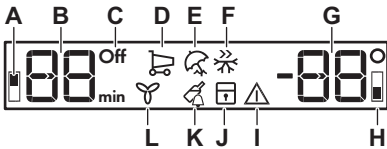
- 1** Display
- 2** Freezer temperature warmer button
- 3** Freezer temperature colder button
- 4** OK button
- 5** Function button

- 6** Fridge temperature warmer button
- 7** Fridge temperature colder button
- 8** ON/OFF button

To change the default sound of the buttons, press simultaneously **5** Function button and **7** Fridge temperature colder button for

a few seconds. To revert the change, repeat the procedure.

Display




- A.** Fridge compartment indicator
- B.** Fridge temperature indicator and timer indicator
- C.** Fridge Off indicator
- D.** Shopping Function indicator
- E.** Vacation Function indicator
- F.** Fast Freezing Function indicator
- G.** Fridge temperature indicator
- H.** Freezer compartment indicator
- I.** Alarm indicator
- J.** Child Lock Function indicator
- K.** Bottle Chill Function indicator
- L.** Fan-cooling Function indicator

Switching on

1. Connect the mains plug to the power socket.

2. Press the **8** ON/OFF button if the display is off.
The temperature indicators show the set default temperature.

-  To select a different set temperature refer to "Temperature regulation".

If "DEMO" appears on the display, the appliance is in demonstration mode. Refer to "Troubleshooting".

Switching off

Press **8** ON/OFF button for 3 seconds. The display switches off.

To disconnect the appliance from the power, disconnect the mains plug from the power socket.

Switching on the fridge

1. Press one of the fridge temperature buttons.

Or:

1. Tap the **5** Function button repeatedly until the fridge Off indicator blinks.
2. Press the **4** OK button to confirm.
3. The fridge Off indicator goes off. To select a different set temperature refer to "Temperature regulation".

Switching off the fridge

It is possible to switch off only the fridge compartment maintaining the freezer on.

1. Tap the **5** Function button repeatedly until the fridge compartment indicator blinks.

The fridge Off indicator and the fridge compartment indicator blink.

The fridge temperature indicator shows dashes.

2. Press the **4** OK button to confirm. The fridge Off indicator is shown and the fridge compartment is switched off.

Temperature regulation


Set the temperature of the appliance by pressing the temperature regulators \pm . Recommended set temperature is:

- +4°C for the fridge

- -18°C for the freezer

The temperature range may vary between -15°C and -24°C for freezer and between 2°C and 8°C for fridge.

The temperature indicators show the set temperature.

-  The set temperature will be reached within 24 hours. After a power failure the set temperature remains stored.

Shopping Function

If you need to insert in the fridge compartment a large amount of warm food, for example after doing the grocery shopping, we suggest activating the Shopping Function to chill the products more rapidly and to avoid warming the other food which is already in the refrigerator.

1. Press **5** Function button until the Shopping indicator blinks.
2. Press **4** OK button to confirm. The Shopping indicator is shown. The fan activates automatically for the function duration.

The Shopping Function stops automatically after approximately 6 hours.

You can deactivate the Shopping Function before its automatic end by repeating the procedure until the Shopping indicator turns off or by pressing **6**, **7** temperature buttons and setting a different fridge temperature.

Vacation Function

This function allows you to keep the fridge compartment empty during a long holiday period reducing the formation of bad odours while the freezer compartment can work normally.

-  The fridge compartment must be empty with Vacation Function on.

1. Press **5** Function button until the Vacation indicator blinks.

The fridge temperature indicator shows the set temperature.

2. Press **4** OK button to confirm.
The Vacation indicator is shown.

- i** The function switches off after selecting a different fridge temperature.

Fast Freezing Function

The Fast Freezing Function is used to perform pre-freezing and fast freezing in sequence of freezer compartment. This function accelerates the freezing of fresh food and, at the same time, protects foodstuffs already stored from undesirable warming.

- i** To freeze fresh food activate the Fast Freezing Function at least 24 hours before placing the food to complete pre-freezing.

1. To activate this function press the **5** Function button until the Fast Freezing indicator blinks.
2. Press **4** OK button to confirm.
The Fast Freezing indicator is shown.

- i** The Fast Freezing Function stops automatically after 52 hours.

You can deactivate the Fast Freezing Function before its automatic end by repeating the procedure until the Fast Freezing indicator turns off or by pressing **2**, **3** temperature buttons and setting a different freezer temperature.

Child Lock Function

Activate the Child Lock Function to lock the buttons from unintentional operation.

1. Press **5** Function button until the Child Lock indicator blinks.
2. Press **4** OK button to confirm.
The Child Lock indicator is shown.
To deactivate the Child Lock Function, repeat the procedure until the Child Lock indicator disappears.

Bottle Chill Function

The Bottle Chill Function can be used to set an acoustic alarm at the preferred time, useful for example when a recipe requires to cool down food products for a certain period of time. It is also useful when a reminder is needed in order not to forget the bottles or cans placed in the freezer for fast cooling.

1. Press **5** Function button until the Bottle Chill indicator blinks.

The Timer shows the set value (30 minutes) for a few seconds.

2. Press the **2**, **3** temperature buttons to change the Timer set value from 1 to 90 minutes.

3. Press **4** OK button to confirm.
The Bottle Chill indicator is shown.

The Timer starts to blink (min).
At the end of the countdown the "0 min" indicator blinks and an audible alarm sounds. At that time, remove the products that were put into the appliance to cool down, and press the **4** OK button to switch off the sound and terminate the function.

To switch off the function at any time during the countdown, repeat the procedure until the Bottle Chill indicator disappears.

- i** It is possible to change the time at any time during the countdown and at the end by pressing the **2** and **3** temperature buttons.

Fan-cooling Function


The refrigerator compartment is equipped with a fan that allows rapid cooling of foods and keeps more uniform temperature in the compartment.

This fan activates automatically when needed or manually.

To switch on the function:

1. Press **5** Function button until the Fan-cooling indicator blinks.
2. Press **4** OK button to confirm.

The Fan-cooling indicator is shown. To switch off this function repeat the procedure until the Fan-cooling indicator disappears.

-  If the function is activated automatically the Fan-cooling indicator is not shown (refer to "Daily use").
The activation of the Fan-cooling Function increase the energy consumption.

The fan operates only when the door is closed.

High temperature alarm


When there is a temperature increase in the freezer compartment (for example due to an earlier power failure), the alarm and freezer temperature indicators flash and the sound is on.

To deactivate the alarm:

1. Press any button.

The sound switches off.


2. The freezer temperature indicator shows the highest temperature reached for a few seconds, then the display shows the set temperature again.

-  The alarm indicator continues to flash until the normal conditions are restored.
If you do not press any button, the sound switches off automatically after around one hour to avoid disturbing.

Door open alarm

If the fridge door is left open for approximately 5 minutes, the sound is on and alarm indicator flashes.


The alarm stops after closing the door. During the alarm, the sound can be muted by pressing any button.


-  If you do not press any button, the sound switches off automatically after around one hour to avoid disturbing.

First use

Cleaning the interior

Before using the appliance for the first time, the interior and all internal accessories should be washed with lukewarm water and some neutral soap to remove the typical smell of a brand-new product, then dried thoroughly.

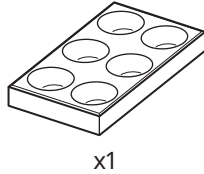
-  **Caution!** Do not use detergents, abrasive powders, chlorine or oil-based cleaners as they will damage the finish.

-  **Caution!** The accessories and parts of the appliance are not suitable for washing in a dishwasher.

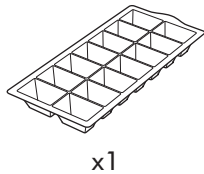
Daily use

Accessories

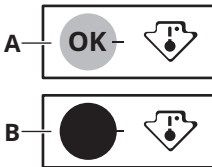
Egg tray



Ice tray



Temperature indicator

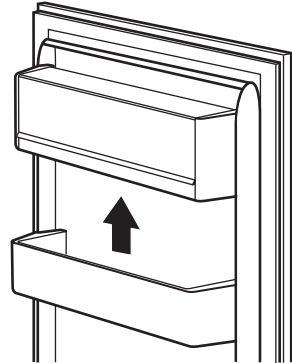


For proper storage of food the refrigerator is equipped with the temperature indicator. The symbol on the side wall of the appliance indicates the coldest area in the refrigerator.

If OK is displayed (A), put fresh food into area indicated by symbol, if not (B), wait at least 12 hours and check if it is OK (A).

If it is still not OK (B), adjust the setting control to a colder setting.

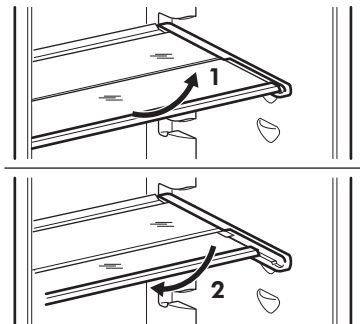
Positioning the door balconies



To permit storage of food packages of various sizes, the door balconies can be placed at different heights.

To make these adjustments proceed as follows: gradually pull upwards the balcony until it comes free, then reposition as desired.

Movable shelves



The walls of the refrigerator are equipped with a series of runners so that the shelves can be positioned as desired.

This appliance is also equipped with a shelf consisting of two parts. The front half of the shelf can be placed under the second half to make better use of space.

To fold the shelf:

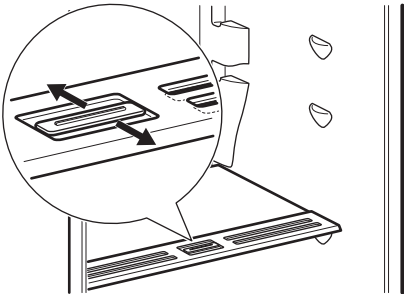
- 1. Take out the front half gently.
- 2. Slide it into the lower rail and under the second half.

⚠ Caution! Do not move the glass shelves above the vegetable drawer to ensure correct air circulation.

Humidity control

The glass shelf incorporates a device with slits (adjustable by means of a sliding lever), which makes it possible to regulate the humidity in the vegetable drawer(s).

i Do not place any food products on the humidity control device.



When the ventilation slots are closed: the natural moisture content of the food in the fruit and vegetable compartments is preserved for longer.

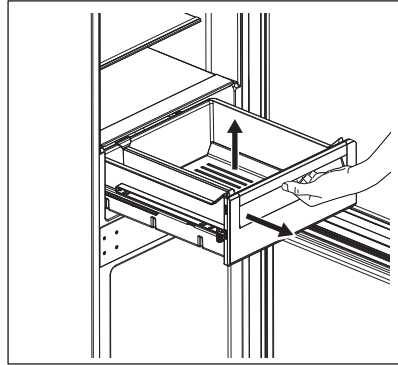
When the ventilation slots are opened: more air circulation results in a lower air moisture content in the fruit and vegetable compartments.

Vegetable drawer

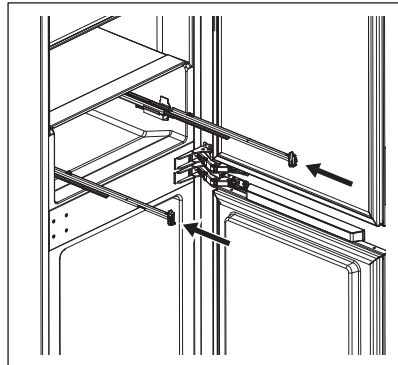
The drawer is suitable for storing fruit and vegetables.

To remove the drawer (e.g. for cleaning):

- 1. Pull out the drawer and lift it up.

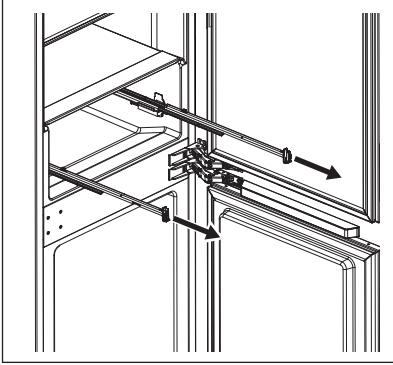


- 2. Push the rails inside the cabinet to avoid damage to the appliance when closing the door.

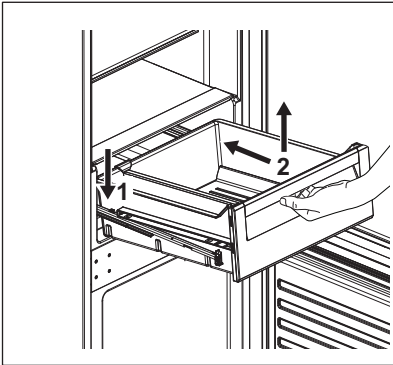


To reassemble:

1. Pull out the rails.



2. Place the rear part of the drawer (1) on the rails.



3. Keep the front of the drawer (2) lifted up while pushing the drawer in.
 4. Press the front part of the drawer downwards.
- i** Pull out the drawer again and check if it is placed correctly on both rear and front hooks.

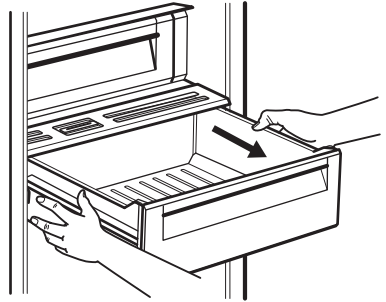
Sliding shelf

Top of the vegetable drawer is equipped with sliding shelf that houses two removable bins, it can be repositioned according to individual preference for better accessibility. Containers are secured with individual lids to isolate unwanted odours.

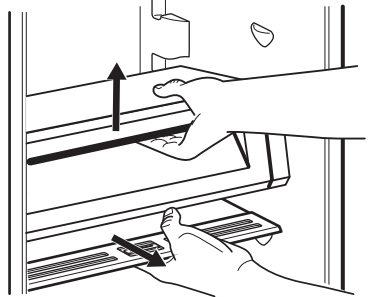
Removing Extra Zone

To remove the Extra Zone from the fridge cabinet follow the steps below:

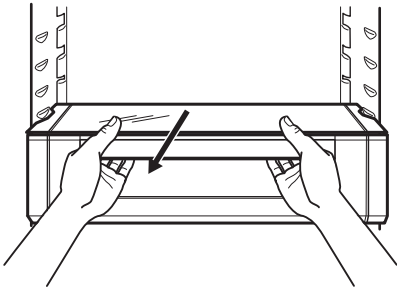
1. Pull out the vegetable drawer from the refrigerator.



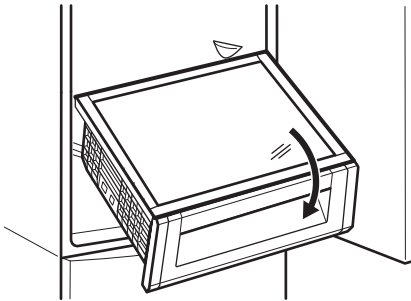
2. Lift the Extra Zone compartment and pull out the glass cover with humidity control from underneath it.



3. Hold the drawer together with the glass cover of the Extra Zone compartment and pull them towards yourself.

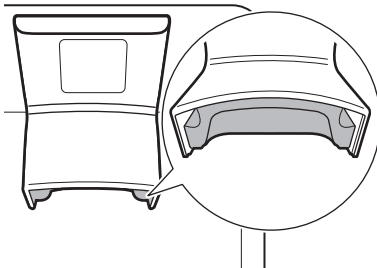


- 4. Tilt the module downwards to remove it from the refrigerator.



Fan-cooling

Warning! Do not remove the Styrofoam at the bottom of the device.



This device activates automatically when needed.

It is also possible to switch on the device manually when needed (refer to "Fan-cooling Function").

i The fan operates only when the door is closed.
If the function is activated automatically, you cannot switch it off. The fan will deactivate itself.

Freezing fresh food

The freezer compartment is suitable for freezing fresh food and storing frozen and deep-frozen food for a long time.

To freeze fresh food activate the Fast Freezing function at least 24 hours before placing the food to be frozen in the freezer compartment.

Store the fresh food evenly distributed in the first compartment or drawer from the top.

The maximum amount of food that can be frozen without adding other fresh food during 24 hours is specified on the rating plate (a label located inside the appliance).

When the freezing process is complete, the appliance automatically returns to the previous temperature setting (see "Fast Freezing Function").

For more information refer to "Hints for freezing".

Storage of frozen food

When activating an appliance for the first time or after a period out of use, before putting the products in the compartment let the appliance run at least 3 hours with the Fast Freezing function switched on.

The freezer drawers ensure that it is quick and easy to find the food package you want. If large quantities of food are to be stored, remove all drawers and place the food on shelves.

Keep the food no closer than 15 mm from the door.

⚠ Caution! In the event of accidental defrosting, for example due to a power failure, if the power has been off for longer than the value shown on rating plate under "rising time", the defrosted food must be consumed quickly or cooked immediately then cooled and then re-frozen. Refer to "High temperature alarm".

Thawing

Deep-frozen or frozen food, prior to being consumed, can be thawed in the refrigerator or inside a plastic bag under cold water.

Hints and tips

Hints for energy saving

- Freezer: The internal configuration of the appliance is the one that ensures the most efficient use of energy.
- Fridge: Most efficient use of energy is ensured in the configuration with the drawers in the bottom part of the appliance and shelves evenly distributed. Position of the door bins does not affect energy consumption.
- Do not open the door frequently or leave it open longer than necessary.
- Freezer: The colder the temperature setting, the higher the energy consumption.
- Fridge: Do not set too high temperature to save energy unless it is required by the characteristics of the food.
- If the ambient temperature is high and the temperature control is set to low temperature and the appliance is fully loaded, the compressor may run continuously, causing frost or ice formation on the evaporator. In this case, set the temperature control toward higher temperature to allow automatic defrosting and to save energy this way.
- Ensure a good ventilation. Do not cover the ventilation grilles or holes.

This operation depends on the time available and on the type of food. Small pieces may even be cooked still frozen.

Ice-cube production

This appliance is equipped with one or more trays for the production of ice-cubes.

- **i** Do not use metallic instruments to remove the trays from the freezer.

1. Fill these trays with water.
2. Put the ice trays in the freezer compartment.

- Make sure that food products inside the appliance allow air circulation through dedicated holes in the rear interior of the appliance.

Hints for freezing

- Activate Fast Freezing function at least 24 hours before placing the food inside the freezer compartment.
- Before freezing wrap and seal fresh food in: aluminium foil, plastic film or bags, airtight containers with lid.
- For more efficient freezing and thawing divide food into small portions.
- It is recommended to put labels and dates on all your frozen food. This will help to identify foods and to know when they should be used before their deterioration.
- The food should be fresh when being frozen to preserve good quality. Especially fruits and vegetables should be frozen after the harvest to preserve all of their nutrients.
- Do not freeze bottles or cans with liquids, in particular drinks containing carbon dioxide - they may explode during freezing.
- Do not put hot food in the freezer compartment. Cool it down at room

temperature before placing it inside the compartment.

- To avoid increase in temperature of already frozen food, do not place fresh unfrozen food directly next to it. Place food at room temperature in the part of the freezer compartment where there is no frozen food.
- Do not eat ice cubes, water ices or ice lollies immediately after taking them out of the freezer. Risk of frostbites.
- Do not re-freeze defrosted food. If the food has defrosted, cook it, cool it down and then freeze it.

Hints for storage of frozen food

- Freezer compartment is the one marked with ❄️ ❄️❄️.
- Good temperature setting that ensures preservation of frozen food products is a temperature less than or equal to -18°C. Higher temperature setting inside the appliance may lead to shorter shelf life.
- The whole freezer compartment is suitable for storage of frozen food products.
- Leave enough space around the food to allow air to circulate freely.

- For adequate storage refer to food packaging label to see the shelf life of food.
- It is important to wrap the food in such a way that prevents water, humidity or condensation from getting inside.

Shopping tips

After grocery shopping:

- Ensure that the packaging is not damaged - the food could be deteriorated. If the package is swollen or wet, it might have not been stored in the optimal conditions and defrosting may have already started.
- To limit the defrosting process buy frozen goods at the end of your grocery shopping and transport them in a thermal and insulated cool bag.
- Place the frozen foods immediately in the freezer after coming back from the shop.
- If food has defrosted even partially, do not re-freeze it. Consume it as soon as possible.
- Respect the expiry date and the storage information on the package.

Shelf life for freezer compartment


Type of food	Shelf life (months)
Bread	3
Fruits (except citrus)	6 - 12
Vegetables	8 - 10
Leftovers without meat	1 - 2
Dairy food:	
Butter	6 - 9
Soft cheese (e.g. mozzarella)	3 - 4
Hard cheese (e.g. parmesan, cheddar)	6
Seafood:	

Type of food	Shelf life (months)
Fatty fish (e.g. salmon, mackerel)	2 - 3
Lean fish (e.g. cod, flounder)	4 - 6
Shrimps	12
Shucked clams and mussels	3 - 4
Cooked fish	1 - 2
Meat:	
Poultry	9 - 12
Beef	6 - 12
Pork	4 - 6
Lamb	6 - 9
Sausage	1 - 2
Ham	1 - 2
Leftovers with meat	2 - 3

Hints for fresh food refrigeration

- Good temperature setting that ensures preservation of fresh food is a temperature less than or equal to +4°C. Higher temperature setting inside the appliance may lead to shorter shelf life of food.
- Cover the food with packaging to preserve its freshness and aroma.
- Always use closed containers for liquids and for food, to avoid flavours or odours in the compartment.
- To avoid the cross-contamination between cooked and raw food, cover the cooked food and separate it from the raw one.
- It is recommended to defrost the food inside the fridge.
- Do not insert hot food inside the appliance. Make sure it has cooled down at room temperature before inserting it.
- To prevent food waste the new stock of food should always be placed behind the old one.

Hints for food refrigeration

- Fresh food compartment is the one marked (on the rating plate) with .

- Meat (all types): wrap in a suitable packaging and place it on the glass shelf above the vegetable drawer. Store meat for at most 1-2 days.
- Fruit and vegetables: clean thoroughly (eliminate the soil) and place in a special drawer (vegetable drawer).
- It is advisable not to keep the exotic fruits like bananas, mangos, papayas etc. in the refrigerator.
- Vegetables like tomatoes, potatoes, onions, and garlic should not be kept in the refrigerator.
- Butter and cheese: place in an airtight container or wrap in an aluminium foil or a polythene bag to exclude as much air as possible.
- Bottles: close them with a cap and place them on the door bottle shelf, or (if available) on the bottle rack.
- In order to accelerate cooling down of the goods, it is advisable to turn on the fan. The activation of Fan-cooling allows greater homogenization of internal temperatures.
- Always refer to the expiry date of the products to know how long to keep them.

Care and cleaning

⚠ Warning! Refer to Safety chapters.

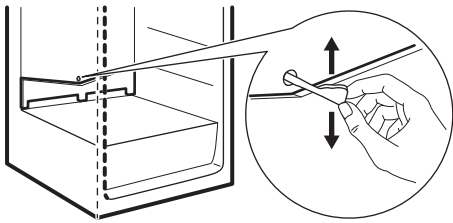
Periodic cleaning

i Empty the appliance before cleaning.

The equipment has to be cleaned regularly:

1. Clean the inside and accessories with lukewarm water and some neutral soap.
2. Regularly check the door seals and wipe them clean to ensure they are clean and free from debris.
3. Rinse and dry thoroughly.

Defrosting of the refrigerator



Frost is automatically eliminated from the evaporator of the refrigerator compartment

every time the motor compressor stops, during normal use. The defrost water drains out through a trough into a special container at the back of the appliance, over the motor compressor, where it evaporates.

It is important to periodically clean the defrost water drain hole in the middle of the refrigerator compartment channel to prevent the water overflowing and dripping onto the food inside.

For this purpose use the tube cleaner provided with the appliance.

Defrosting of the freezer

The freezer compartment is frost free. This means that there is no build up of frost when it is in operation, neither on the internal walls, nor on the foods.

Period of non-operation

When the appliance is not in use for long period, take the following precautions:

1. Disconnect the appliance from electricity supply.
2. Remove all food.
3. Clean the appliance and all accessories.
4. Leave the doors open to prevent unpleasant smells.

Troubleshooting

⚠ Warning! Refer to Safety chapters.




What to do if...


Problem	Possible cause	Solution
The appliance does not operate.	The appliance is switched off.	Switch on the appliance.

Problem	Possible cause	Solution
The appliance does not operate.	The mains plug is not connected to the mains socket correctly.	Connect the mains plug to the mains socket correctly.
The appliance does not operate.	There is no voltage in the mains socket.	Connect a different electrical appliance to the mains socket. Contact a qualified electrician.
The appliance is noisy.	The appliance is not supported properly.	Check if the appliance stands stable.
The following noises can be heard: bubbling, whirring, hissing, cracking or clicking.		This is normal. Refer to "Noises" chapter.
Acoustic or visual alarm is on.	The cabinet has been recently switched on.	Refer to "Door Open Alarm" or "High Temperature Alarm".
Acoustic or visual alarm is on.	The temperature in the appliance is too high.	Refer to "Door Open Alarm" or "High Temperature Alarm".
Acoustic or visual alarm is on.	The door is left open.	Close the door.
The compressor operates continually.	Temperature is set incorrectly.	Refer to "Control Panel" chapter.
The compressor operates continually.	Many food products were put in at the same time.	Wait a few hours and then check the temperature again.
The compressor operates continually.	The room temperature is too high.	Refer to "Installation" chapter.
The compressor operates continually.	Food products placed in the appliance were too warm.	Allow food products to cool to room temperature before storing.
The compressor operates continually.	The door is not closed correctly.	Refer to "Closing the door" section.
The compressor operates continually.	The Fast Freezing function is switched on.	Refer to "Fast Freezing function" section.
The compressor operates continually.	The Shopping function is switched on.	Refer to "Shopping function" section.

Problem	Possible cause	Solution
The compressor does not start immediately after pressing the "Fast Freezing" or "Shopping", or after changing the temperature.	The compressor starts after a period of time.	This is normal, no error has occurred.
Door is misaligned or interferes with ventilation grill.	The appliance is not levelled.	Refer to installation instructions.
Door does not open easily.	You attempted to re-open the door immediately after closing.	Wait a few seconds between closing and re-opening of the door.
The lamp does not work.	The lamp is in stand-by mode.	Close and open the door.
The lamp does not work.	The lamp is defective.	Contact the nearest Authorized Service Centre.
There is too much frost and ice.	The door is not closed correctly.	Refer to "Closing the door" section.
There is too much frost and ice.	The gasket is deformed or dirty.	Refer to "Closing the door" section.
There is too much frost and ice.	Food products are not wrapped properly.	Wrap the food products better.
There is too much frost and ice.	Temperature is set incorrectly.	Refer to "Control Panel" chapter.
There is too much frost and ice.	Appliance is fully loaded and is set to the lowest temperature.	Set a higher temperature. Refer to "Control Panel" chapter.
There is too much frost and ice.	Temperature set in the appliance is too low and the ambient temperature is too high.	Set a higher temperature. Refer to "Control Panel" chapter and "Location" section.
Water flows on the rear plate of the refrigerator.	During the automatic defrosting process, frost melts on the rear plate.	This is correct.
There is too much condensed water on the rear wall of the refrigerator.	Door was opened too frequently.	Open the door only when necessary.
There is too much condensed water on the rear wall of the refrigerator.	Door was not closed completely.	Make sure the door is closed completely.

Problem	Possible cause	Solution
There is too much condensed water on the rear wall of the refrigerator.	Stored food was not wrapped.	Wrap food in suitable packaging before storing it in the appliance.
Water flows inside the refrigerator.	Food products prevent the water from flowing into the water collector.	Make sure that food products do not touch the rear plate.
Water flows inside the refrigerator.	The water outlet is clogged.	Clean the water outlet.
Water flows on the floor.	The melting water outlet is not connected to the evaporative tray above the compressor.	Attach the melting water outlet to the evaporative tray.
Water flows on the floor.	Door was left open for a long time.	Open the door only when necessary.
Water flows on the floor.	The gasket is deformed or damaged.	Contact the Authorised Service Centre.
Temperature cannot be set.	The "Fast Freezing function" or "Shopping function" is switched on.	Switch off "Fast Freezing function" or "Shopping function" manually, or wait until the function deactivates automatically to set the temperature. Refer to "Fast Freezing function" or "Shopping function" section.
The temperature in the appliance is too low/too high.	The temperature is not set correctly.	Set a higher/lower temperature.
The temperature in the appliance is too low/too high.	The door is not closed correctly.	Refer to "Closing the door" section.
The temperature in the appliance is too low/too high.	The food products' temperature is too high.	Let the food products temperature decrease to room temperature before storage.
The temperature in the appliance is too low/too high.	Many food products are stored at the same time.	Store less food products at the same time.
The temperature in the appliance is too low/too high.	The door has been opened often.	Open the door only if necessary.
The temperature in the appliance is too low/too high.	The Fast Freezing function is switched on.	Refer to "Fast Freezing function" section.

Problem	Possible cause	Solution
The temperature in the appliance is too low/too high.	The Shopping function is switched on.	Refer to "Shopping function" section.
The temperature in the appliance is too low/too high.	There is no cold air circulation in the appliance.	Make sure that there is cold air circulation in the appliance. Refer to "Hints and Tips" chapter.
DEMO appears on the display.	The appliance is in demonstration mode.	Keep the OK key pressed for approximately 10 seconds until a long sound is heard and the display turns off for a short time.
A  or  or  symbol is shown instead of numbers on the temperature display.	Temperature sensor problem.	Contact the nearest Authorized Service Centre (the cooling system will continue to keep food products cold, but temperature adjustment will not be possible).


 If the advice does not lead to the desired result, call the nearest Authorized Service Centre.

Replacing the lamp

The appliance is equipped with a longlife LED interior light.

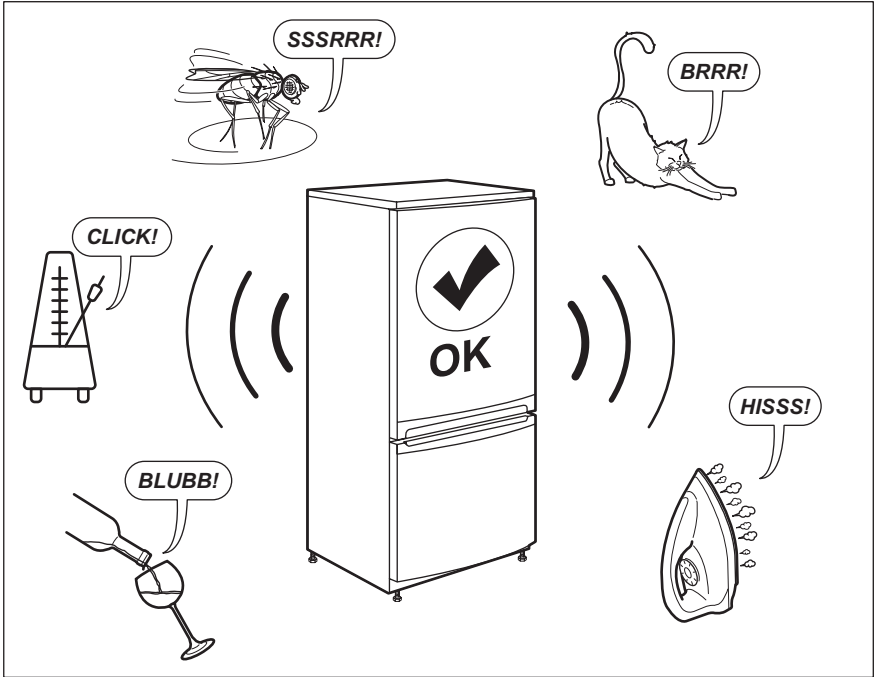
Only service is allowed to replace the lighting device. Contact your Authorized Service Centre.

Closing the door

 Avoid slamming the doors to prevent items stored inside from shifting and falling.

1. Clean the door gaskets.
2. If necessary, adjust the door. Refer to the assembly instructions.
3. If necessary, replace the defective door gaskets. Contact the Authorized Service Centre.

Noises

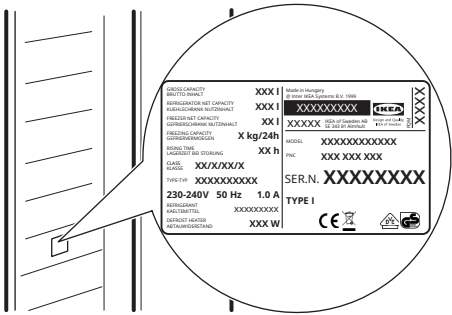


Technical data

Product category	
Product Type	Refrigerator - Freezer
Installation Type	Built-in only
Product dimensions	
Height	1884 mm
Width	546 mm
Depth	549 mm
Net volume	

Fresh food compartment (Fridge)	215,6 l
4 Star compartment (Freezer)	62,4 l
Defrost system	
Fresh food compartment (Fridge)	auto
4 Star compartment (Freezer)	auto
Star rating	***
Rising time	9,5 h
Freezing capacity	3,5 kg/12h
Annual energy consumption	216 kWh
Airborne acoustical noise emissions	35 dB(A)
Energy efficiency class	E
Voltage	230 - 240 V
Frequency	50 Hz

The technical information (including the serial number) is situated in the rating plate on the internal left side of the appliance and in the energy label.



The QR code on the energy label supplied with the appliance provides a web link to the information related to the performance of the appliance in the EU EPREL database. Keep the energy label for reference together with the user manual and all other documents provided with this appliance.

<https://eprel.ec.europa.eu> and the model name and product number that you find on the rating plate of the appliance.

See the link www.theenergylabel.eu for detailed information about the energy label.


It is also possible to find the same information in EPREL using the link


Information for test institutes

Installation and preparation of the appliance for any EcoDesign verification shall be compliant with EN 62552. Ventilation requirements, recess dimensions and minimum rear clearances shall be as stated

in this User Manual at Chapter 3. Please contact the manufacturer for any other further information, including loading plans.

Environmental concerns

Recycle materials with the symbol . Put the packaging in relevant containers to recycle it. Help protect the environment and human health by recycling waste of electrical and electronic appliances. Do not dispose of

appliances marked with the symbol  with the household waste. Return the product to your local recycling facility or contact your municipal office.

IKEA guarantee

How long is the IKEA guarantee valid?

This guarantee is valid for **5 years** from the original date of purchase of your appliance at IKEA. The original sales receipt is required as proof of purchase. If service work is carried out under guarantee, this will not extend the guarantee period for the appliance.

Who will execute the service?

IKEA service provider will provide the service through its own service operations or authorized service partner network.

What does this guarantee cover?

The guarantee covers faults of the appliance, which have been caused by faulty construction or material faults from the date of purchase from IKEA. This guarantee applies to domestic use only. The exceptions are specified under the headline "What is not covered under this guarantee?" Within the guarantee period, the costs to remedy the fault e.g. repairs, parts, labour and travel will be covered, provided that the appliance is accessible for repair without special expenditure. On these conditions the EU guidelines (Nr. 99/44/EG) and the respective

local regulations are applicable. Replaced parts become the property of IKEA.

What will IKEA do to correct the problem?

IKEA appointed service provider will examine the product and decide, at its sole discretion, if it is covered under this guarantee. If considered covered, IKEA service provider or its authorized service partner through its own service operations, will then, at its sole discretion, either repair the defective product or replace it with the same or a comparable product.

What is not covered under this guarantee?

- Normal wear and tear.
- Deliberate or negligent damage, damage caused by failure to observe operating instructions, incorrect installation or by connection to the wrong voltage, damage caused by chemical or electro-chemical reaction, rust, corrosion or water damage including but not limited to damage caused by excessive lime in the water supply, damage caused by abnormal environmental conditions.
- Consumable parts including batteries and lamps.

- Non-functional and decorative parts which do not affect normal use of the appliance, including any scratches and possible color differences.
- Accidental damage caused by foreign objects or substances and cleaning or unblocking of filters, drainage systems or soap drawers.
- Damage to the following parts: ceramic glass, accessories, crockery and cutlery baskets, feed and drainage pipes, seals, lamps and lamp covers, screens, knobs, casings and parts of casings. Unless such damages can be proved to have been caused by production faults.
- Cases where no fault could be found during a technician's visit.
- Repairs not carried out by our appointed service providers and/or an authorized service contractual partner or where non-original parts have been used.
- Repairs caused by installation which is faulty or not according to specification.
- The use of the appliance in a non-domestic environment i.e. professional use.
- Transportation damages. If a customer transports the product to their home or other address, IKEA is not liable for any damage that may occur during transport. However, if IKEA delivers the product to the customer's delivery address, then damage to the product that occurs during this delivery will be covered by this guarantee.
- Cost for carrying out the initial installation of the IKEA appliance. However, if an IKEA service provider or its authorized service partner repairs or replaces the appliance under the terms of this guarantee, the service provider or its authorized service partner will re-install the repaired appliance or install the replacement, if necessary.

This restriction do not apply to fault-free work carried out by a qualified specialist using our original parts in order to adapt the appliance to the technical safety specifications of another EU country.

How country law applies

The IKEA guarantee gives you specific legal rights, which covers or exceed local demands. However these conditions do not limit in any way consumer rights described in the local legislation.

Area of validity

For appliances which are purchased in one EU country and taken to another EU country, the services will be provided in the framework of the guarantee conditions normal in the new country. An obligation to carry out services in the framework of the guarantee exists only if the appliance complies and is installed in accordance with:

- the technical specifications of the country in which the guarantee claim is made;
- the Assembly Instructions and User Manual Safety Information;

The dedicated After Sales Service for IKEA appliances:

Please do not hesitate to contact IKEA After Sales Service to:

1. make a service request under this guarantee;
2. ask for clarification on installation of the IKEA appliance in the dedicated IKEA kitchen furniture. The service won't provide clarifications related to:
 - the overall IKEA kitchen installation;
 - connections to electricity (if machine comes without plug and cable), to water and to gas since they have to be executed by an authorized service engineer.
3. ask for clarification on user manual contents and specifications of the IKEA appliance.

To ensure that we provide you with the best assistance, please read carefully the Assembly Instructions and/or the User Manual section of this booklet before contacting us.

How to reach us if you need our service



Please refer to the last page of this manual for the full list of IKEA appointed contacts and relative national phone numbers.

- i** In order to provide you with a quicker service, we recommend that you use the specific phone numbers listed at the end of this manual. Always refer to the numbers listed in the booklet of the specific appliance you need an assistance for. Before calling us, assure that you have to hand the IKEA article number (8 digit code) and the Serial Number (8 digit code that can be found on the rating plate) for the appliance of which you need our assistance.

- i** **SAVE THE SALES RECEIPT!** It is your proof of purchase and required for the guarantee to apply. Note that the receipt reports also the IKEA article name and number (8 digit code) for each of the appliances you have purchased.

Do you need extra help?

For any additional questions not related to After Sales of your appliances, please contact our nearest IKEA store call centre. We recommend you read the appliance documentation carefully before contacting us.

Efnisyfirlit

Öryggisupplýsingar	34	Umhirða og þríf	54
Öryggisleiðbeiningar	36	Bilanaleit	54
Uppsetning	38	Hávaði	59
Vörulýsing	42	Tæknilegar upplýsingar	59
Stjórnborð	43	Upplýsingar fyrir prófunarstofnanir	61
Fyrsta notkun	46	Umhverfismál	61
Dagleg notkun	47	IKEA-ÁBYRGÐ	61
Ábendingar og góð ráð	51		

Með fyrirvara á breytingum.

Öryggisupplýsingar

Fyrir uppsetningu og notkun heimilistækisins skal lesa meðfylgjandi leiðbeiningar vandlega. Framleiðandinn ber ekki ábyrgð á neinum meiðslum eða skemmdum sem leiða af rangri uppsetningu eða notkun. Geymdu alltaf leiðbeiningarnar á öruggum stað þar sem auðvelt er að nálgast þær til síðari notkunar.

Öryggi barna og viðkvæmra einstaklinga

- Börn, 8 ára og eldri og fólk með minnkaða líkamlega-, skyn- eða andlega getu, eða sem skortir reynslu og þekkingu, mega nota þetta tæki, ef þau eru undir eftirliti eða hafa verið veittar leiðbeiningar varðandi örugga notkun tækisins og ef þau skilja hættuna sem því fylgir.
- Börn á aldrinum 3 til 8 ára er leyfilegt að setja í og taka úr heimilistækinu, að því tilskildu að þau hafi fengið almennilegar leiðbeiningar.
- Fólk með miklar og flóknar fatlanir má nota þetta heimilistæki, að því tilskildu að þau hafi fengið almennilegar leiðbeiningar.
- Halda ætti börnum yngri en 3 ára frá heimilistækinu nema þau séu undir stöðugu eftirliti.

- Hafa ætti eftirlit með börnum til að tryggja að þau leiki sér ekki með heimilistækið.
- Börn eiga ekki að hreinsa eða framkvæma notandaviðhald á heimilistækinu án eftirlits.
- Haltu öllum umbúðum frá börnum og fargaðu þeim á viðeigandi hátt.

Almennt öryggi

- Þetta heimilistæki er eingöngu fyrir geymslu á mat og drykkjum.
- Þetta heimilistæki er hannað til notkunar innanhúss á heimilum.
- Þetta heimilistæki má nota á skrifstofum, í herbergjum hótela, herbergjum gestahúsa, bændagistingum og öðrum sambærilegum gistirýmum þar sem notkun er ekki meiri en almenn heimilisnotkun.
- Til að forðast spillingu matvæla skal virða eftirfarandi leiðbeiningar:
 - Hafðu hurðina ekki opna um lengri tíma;
 - hreinsaðu reglubundið fleti sem geta komist í snertingu við matvæli og aðgengileg frárennsliskerfi;
 - geymdu hrátt kjöt og fisk í hentugum ílátum í kælskápnnum þannig að það komist ekki í snertingu við eða leki niður á önnur matvæli.
- VIÐVÖRUN: Haltu loftræstingaropum, í afgirðingu heimilistækisins eða í innbyggðu rými, lausu við hindranir.
- VIÐVÖRUN: Notaðu ekki vélrænan búnað eða aðrar aðferðir til að hraða afísunarferli, annan en þann sem framleiðandinn mælir með.
- VIÐVÖRUN: Skemmdu ekki kælimiðilsrásina.
- VIÐVÖRUN: Notaðu ekki rafmagnstæki inni í geymsluhólfum matvæla í heimilistækinu, nema þau séu af þeirri tegund sem framleiðandinn mælir með.

- Notaðu ekki vatnsúða og gufu til að hreinsa heimilistækið.
- Hreinsaðu heimilistækið með mjúkum rökum klút. Notaðu aðeins hlutlaus þvottaefni. Notaðu ekki neinar vörur með svarfefnum, stálull, leysiefni eða málmhluti.
- Þegar heimilistækið er tómt um lengri tíma skal slökkva á því, afísa, hreinsa, þurrka og skilja hurðina eftir opna til að koma í veg fyrir að mygla myndist inni í tækinu.
- Geymdu ekki sprengifim efni eins og úðabrúsa með eldfimu drifefni í þessu heimilistæki.
- Ef rafmagnssnúran er skemmd verður framleiðandi, viðurkennd þjónustumiðstöð, eða svipað hæfur aðili að endurnýja hana til að forðast hættu.

Öryggisleiðbeiningar

Uppsetning



ADVÖRUN! Einungis löggildur aðili má setja upp þetta heimilistæki.

- Fjarlægðu allar umbúðir.
- Ekki setja upp eða nota skemmt heimilistæki.
- Notaðu ekki heimilistækið áður en þú setur upp innbyggða virkið af öryggisástæðum.
- Fylgdu leiðbeiningum um uppsetningu sem fylgja með heimilistækinu.
- Alltaf skal sýna aðgát þegar heimilistækið er fært vegna þess að það er þungt. Notaðu alltaf öryggishanska og lokaðan skóbúnað.
- Gakktu úr skugga um að að loft geti flætt í kringum heimilistækið.
- Við fyrstu uppsetningu eða eftir að hurðinni hefur verið snúið skal bíða í að minnsta kosti 4 klukkustundir áður en heimilistækið er tengt við rafmagn. Þetta er til að olían nái að flæða aftur í þjöppuna.
- Áður en þú framkvæmir einhverjar aðgerðir á heimilistækinu (t.d. snýrð við

hurðinni) skaltu taka klóna úr rafmagnsinnstungunni.

- Ekki setja heimilistækið upp nálægt ofnum eða eldavélum, ofnum eða helluborðum.
- Ekki hafa heimilistækið berskjaldað gagnvart rigningu.
- Ekki setja heimilistækið upp þar sem það verður fyrir beinu sólarljósi.
- Ekki setja þetta heimilistæki upp á svæðum þar sem er of mikill raki eða of kalt.
- Þegar þú færir til heimilistækið, skaltu lyfta brúninni að framan til að koma í veg fyrir að þú rispir gólfíð.
- Heimilistækið inniheldur poka af þurrkefni. Þetta er ekki leikfang. Þetta er ekki matvara. Vinsamlegast fargaðu því samstundis.

Tenging við rafmagn



ADVÖRUN! Hætta á eldi og raflosti.

⚠ **ADVÖRUN!** Þegar heimilistækið er staðsett skaltu tryggja að rafmagnssnúran sé hvorki klemmd né skemmd.

⚠ **ADVÖRUN!** Notaðu ekki fjöltengi eða framlengingarsnúrur.

- Heimilistækið verður að vera jarðtengt.
- Gakktu úr skugga um að færíbreyturnar á merkiplötunni séu samhæfar við rafmagnsflokkun aðalæðar aflgjafa.
- Notaðu alltaf rétt ísetta innstungu sem ekki veldur raflosti.
- Gættu þess að valda ekki skaða á rafmagnsíhlutum (t.d. rafmagnsklól, rafmagnssnúru, þjöppu). Hafðu samband við viðurkennda þjónustumiðstöð eða rafvirkja til þess að skipta um rafmagnsíhluti.
- Rafmagnssnúran þarf að vera fyrir neðan rafmagnsklóna.
- Aðeins skal tengja rafmagnsklóna við rafmagnsinnstunguna í lok uppsetningarinnar. Gakktu úr skugga um að rafmagnsklónin sé aðgengileg eftir uppsetningu.
- Ekki toga í snúruna til að taka tækið úr sambandi. Taktu alltaf um klóna.

Notkun

⚠ **ADVÖRUN!** Hætta á meiðslum, bruna, raflosti eða eldsvoða.

⚠ Heimilistækið inniheldur eldfimt gas, ísóbútan (R600a), náttúrulegt gas, sem er mjög umhverfisvænt. Gættu þess að valda ekki skaða á kælrásinni sem inniheldur ísóbútan.

- Breytið ekki eiginleikum heimilistækisins.
- Það er harðbannað að nota þessa innbyggðu vöru sem frístandandi tæki.
- Ekki láta rafmagnstæki (s.s. ísgerðarvélar) í tækið nema það sé tekið fram af framleiðanda að þau þoli það.
- Ef rafrásir kælibúnaðarins skemmast skal gæta þess að það sé enginn logi eða

kveikjugjafar í herberginu. Loftræstu herbergið.

- Ekki láta heita hluti snerta þá hluta heimilistækisins sem eru úr plasti.
- Ekki setja gosdrykki í frystihólfíð. Við það myndast þrýstingur innan í drykkjarílátinu.
- Ekki nota heimilistækið til að geyma eldfimar lofttegundir eða vökva.
- Setjið ekki eldfim efni eða hluti bleytta með eldfimum efnum í, nálægt, eða á heimilistækið.
- Ekki snerta þjöppuna eða þéttinn. Þau eru heit.
- Ekki fjarlægja eða snerta hluti úr frystihólfinu ef hendur þínar eru rakar eða blautar.
- Ekki endurfrysta mat sem búið er að þíða.
- Fylgdu geymsluleiðbeiningunum á umbúðum frystra matvæla.
- Vefðu matnum inn áður en þú setur hann í frystihólfíð.

Innri lýsing

⚠ **ADVÖRUN!** Hætta á raflosti.

- Þessi vara inniheldur einn eða fleiri ljósgjafa í orkunýtniflokknum F.
- Varðandi ljósin inn í þessari vöru og ljós sem varahluti sem seld eru sérstaklega: Þessi ljós eru ætluð að standast öfgakenndar aðstæður í heimilistækjum eins og hitastig, titring, raka eða til að senda upplýsingar um rekstrarstöðu tækisins. Þau eru ekki ætluð til að nota í öðrum tækjum og henta ekki sem lýsing í herbergjum heimila.

Umhirða og þrif

⚠ **ADVÖRUN!** Hætta á meiðslum eða skemmdum á heimilistækinu.

- Áður en viðhald fer fram á tækinu skal slökkva á því og aftengja aðalklóna frá rafmagnsinnstungunni.
- Þetta tæki inniheldur kolvatnsefni í kælieiningunni. Aðeins hæfir aðilar mega sinna viðhaldi og endurhleðslu á einingunni.

- Skoðið frárennsli tækisins reglulega og hreinsið það ef þörf krefur. Ef frárennslið er stíflað mun affryst vatn safnast fyrir í botni heimilistækisins.

Þjónusta

- Hafðu samband við viðurkennda þjónustumiðstöð til að gera við heimilistækið. Notaðu eingöngu upprunalega varahluti.
- Vinsamlegast athugaðu að ef þú eða einhver sem ekki er fagmaður gerir við getur það haft afleiðingar varðandi öryggi og gæti ógilt ábyrgðina.
- Eftirfarandi varahlutir verða fánlegir í 7 ár eftir að hætt hefur verið framleiðslu gerðarinnar: Hitastillar, hitaskynjarar, prentplötur, ljósgjafar, hurðahandföng, hurðalamir, bakkar og grindur. Vinsamlegast athugaðu að suma þessara varahluta geta aðeins atvinnuviðgerðaraðilar fengið og ekki eru allir varahlutir viðeigandi fyrir allar gerðir.

- Hurðapéttingar verða fánlegar í 10 ár eftir að hætt hefur verið framleiðslu gerðarinnar.

Förgun

⚠ AÐVÖRUN! Hætta á meiðslum eða köfnun.

- Aftengið heimilistækið frá rafmagnsgjafanum.
- Klippa rafmagnssnúruna af og fleygið henni.
- Fjarlægið hurðina til að koma í veg fyrir að börn eða dýr geti lokast inni í tækinu.
- Kælirásin og einangrunarefnið á tækinu eru ósónvæn.
- Einangrunarfroðan inniheldur eldfimar lofttegundir. Hafið samband við sveitarfélagið til að fá upplýsingar um hvernig á að farga heimilistækinu á réttan hátt.
- Ekki valda skaða á hluta kælieiningarinnar sem er nálægt hitaskiptinum.

Uppsetning

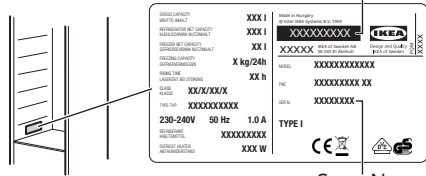
⚠ AÐVÖRUN! Sjá kafla um öryggismál.

⚠ AÐVÖRUN! Skoðaðu leiðbeiningaskjal um uppsetningu til að setja upp heimilistækið þitt.

⚠ AÐVÖRUN! Festu heimilistækið í samræmi við leiðbeiningaskjal um uppsetningu til að forðast hættuna af því að heimilistækið sé óstöðugt.

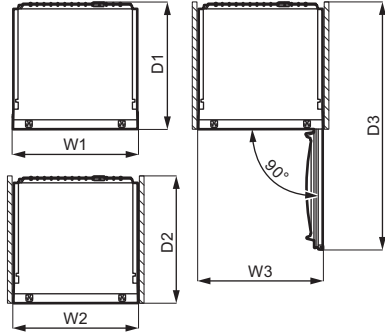
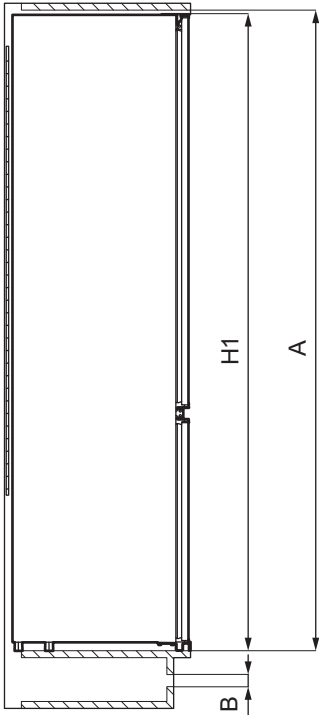
Eftirlitsgátlisti 

i Vinsamlegast notastu við eftirlitsgátlistann áður en þú notar heimilistækið. Ef svarið er „NEI“ við einhverju, skal grípa til viðeigandi aðgerða. Mundu að skrifa niður raðnúmer vörunnar og vörunúmerið eins og beðið er um og festa kvittunina við þessa síðu.

<p>Raðnúmer vöru (Ser. No.): Vörunúmer vöru (Art. No.): Kaupdagur:</p>	<div style="text-align: right; margin-bottom: 10px;">Art. No.</div>  <div style="text-align: right; margin-top: 10px;">Ser. No.</div>
--	--

Til að athuga	Ef svarið er JÁ	Ef svarið er NEI
Gakktu úr skugga um að þétt- iborðinn sé þétt meðfram hurðinni þegar henni er lokað.	Engin aðgerð <input checked="" type="checkbox"/>	Sjá uppsetningarleiðbeiningar - hurðarstilling.
Gakktu úr skugga um að það séu engir árekstrar á milli ein- inga/húsgagna þegar verið er að opna og loka hurðinni.	Engin aðgerð <input checked="" type="checkbox"/>	Sjá uppsetningarleiðbeiningar - hurðarstilling.
Settu heimilistækið upp í inn- byggða rýminu.	Engin aðgerð <input checked="" type="checkbox"/>	Fylgdu uppsetningarleiðbeiningun- um til að tryggja rétta uppsetningu.
Við fyrstu uppsetningu eða eft- ir að hurðinni hefur verið snú- ið skal heimilistækið fá að standa lóðrétt í að minnsta kosti 4 klukkustundir áður en það er tengt við rafmagn.	Engin aðgerð <input checked="" type="checkbox"/>	Bíddu í 4 klukkustundir áður en heimilistækið er tengt við rafmagn.

Mál



Heildarmál ¹		
H1	mm	1884
W1	mm	546
D1	mm	549

¹ hæð, breidd og dýpt heimilistækisins án handfangs

Svæði sem þarf til notkunar ²		
A	mm	1894
B	mm	36

² hæð, breidd og dýpt heimilistækisins ásamt handfangi, auk rýmisins sem þarf til að tryggja rétt loftflæði fyrir kæli loft

Svæði sem þarf til notkunar ²		
H2 (A+B)	mm	1936
W2	mm	546
D2	mm	551

Heildarsvæði sem þarf til notkunar ³		
H3 (A+B)	mm	1936
W3	mm	546
D3	mm	1068

³ hæð, breidd og dýpt heimilistækisins ásamt handfangi, auk rýmisins sem þarf til að tryggja rétt loftflæði fyrir kæli loft, auk svæðisins sem nauðsynlegt er svo að hurðin geti opnast við lágmarkshorn sem nauðsynlegt er til að fjarlægja allan innri búnað

Staðsetning

Til að tryggja rétta virkni heimilistækisins, ætti ekki að setja það upp nálægt hitagjöfum (ofnum, eldavélum, hellum) eða á stað sem verður fyrir beinu sólarljósi. Gakktu úr skugga um að loftflæði sé gott aftan við skápinn.

Tækið á að setja upp á þurrum, vel loftræstum stað innandyrna.

Þetta tæki er ætlað til notkunar við umhverfishita á bilinu 10°C til 43°C.

- i** Eingöngu er hægt að ábyrgjast rétta virkni heimilistækisins sé það notað á þessu hitabili.
- i** Ef þú hefur einhverjar efasemdir varðandi uppsetningu heimilistækisins, skaltu vinsamlegast ráðfæra þig við seljanda, þjónustuverið okkar eða næstu viðurkenndu þjónustumiðstöð.
- i** Það verður að vera hægt að taka heimilistækið úr sambandi við rafmagn. Innstungan verður því að vera aðgengileg eftir uppsetningu.

Rafmagnstenging

Áður en stungið er í samband þarf að fullvissa sig um að rafspennan og raftíðnin sem sýnd er á tegundarspjaldinu samræmist aflagjafa heimilisins.

Heimilistækið þarf að vera jarðtengt. Þess vegna er kló aflagjafasnúrunnar útbúin með sérstöku tengi. Ef rafmagnsinnstungan á

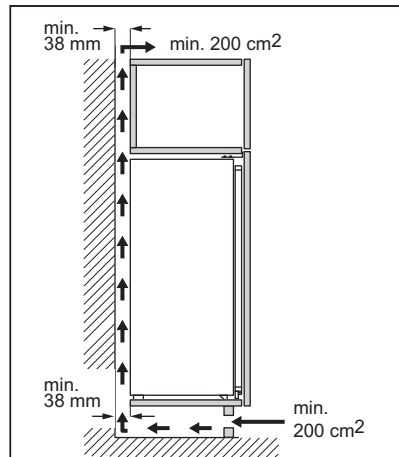
heimilinu er ekki jarðtengt skal setja heimilistækið í annað jarðsamband eftir gildandi reglugerðum, í samráði við löggiltan rafvirkja.

Framleiðandinn afsalar sig allri ábyrgð ef ofangreindum öryggisleiðbeiningum er ekki fylgt.

Þetta heimilistæki samræmist EBE-tilskipunum.

Viðrunarkröfur

Nauðsynlegt er að tryggja nægilegt loftflæði fyrir aftan tækið.



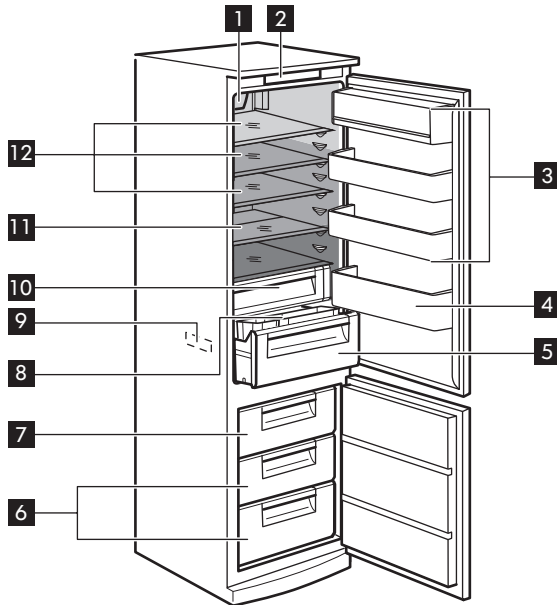
VARÚÐ! Sjá uppsetningarleiðbeiningar varðandi uppsetningu.

Viðsnúningur hurðar

Vinsamlegast skoðuðu sérstakt skjal með leiðbeiningum um uppsetningu og viðsnúning hurðar.

VARÚÐ! Við hvert þrep í viðsnúningi hurðar skal gæta þess að verja gólfíð gegn rispum, með slitsterku efni.

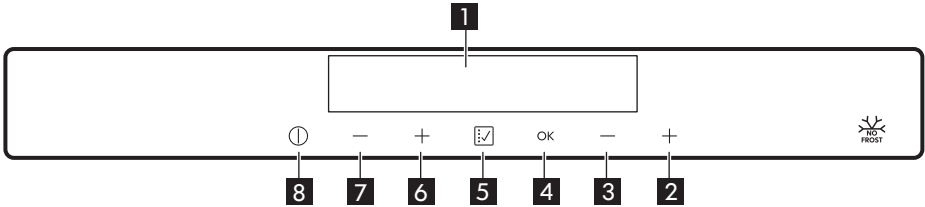
Vörulýsing



- 1** Viftukæling með ljósdíóðuljósi
- 2** Stjórnborð
- 3** Svalir í hurðinni
- 4** Flöskusvalir
- 5** Grænmetisráfi
- 6** Frystiskúffur
- 7** Frystiskúfa
- 8** Rennihilla með ílátum
- 9** Merkiplata

- 10** Aukasvæði
- 11** Útdraganleg hálf-hilla
- 12** Glerhillur
- Minnst kalda svæðið
- Meðalkalda svæðið
- Kaldasta svæðið

Stjórnborð



1 Skjár

2 Upphitunarhnappur fyrir hitastig frystis

3 Kælihnappur fyrir hitastig frystis

4 OK-hnappur

5 Aðgerð hnappur

6 Upphitunarhnappur fyrir hitastig kælís

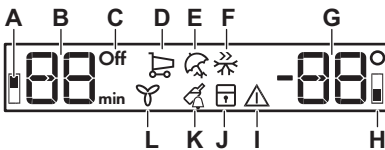
7 Kælihnappur fyrir hitastig kælís

8 ON/OFF-hnappur

Til að breyta sjálfgefnu hljóði fyrir hnappana skaltu ýta samtímis á **5** Aðgerð hnappinn og **7** hnappinn fyrir lækkun hitastigs í

kælinum í nokkrar sekúndur. Til að afturkalla breytinguna skaltu endurtaka ferlið.

Skjár



A. Vísir fyrir kælihólf

B. Hitavísir og tímavísir kælísins

C. Off vísir kælís

D. Vísir fyrir Innkaup aðgerð

E. Vísir fyrir Sumarfrí aðgerð

F. Vísir fyrir Hraðfrysting aðgerð

G. Vísir fyrir hitastig frystihólfs

H. Vísir fyrir frystihólf

I. Aðvörunarvísir

J. Vísir fyrir Barnalæsingaraðgerð

K. Vísir fyrir Flöskukæling aðgerð

L. Vísir fyrir Viftukæling aðgerð

Kveikt á

1. Tengdu klóna við rafmagnsinnstunguna.

2. Ýttu á hnappinn **8** ON/OFF ef slökkt er á skjánum.

Hitavísarnir sýna sjálfgefið innstillt hitastig.

i Til að velja annað innstillt hitastig, sjá „Hitastilling“.

Ef „DEMO“ birtist á skjánum er heimilistækið í kynningarham. Sjá „Bilanaleit“.

Slökkt á

Ýttu á **8** ON/OFF-hnappinn í 3 sekúndur. Það slokknar á skjánum. Heimilistækið er tekið úr sambandi með því að taka klóna úr rafmagnsinnstungunni.

Kveikt á kælinum

1. Ýttu á einn af hitastigshnöppum kælisins. Eða:

1. Ýttu á **5** Aðgerð hnappinn endurtekið þar til Off vísirinn fyrir kælinn blikkar.
2. Ýttu á **4** OK hnappinn til að staðfesta.
3. Off vísirinn fyrir kælinn slokknar. Til að velja annað innstillt hitastig, sjá „Hitastilling“.

Slökkt á kælinum

Hægt er að slökka eingöngu á kæliholfinu en hafa kveikt á frystinum.

1. Ýttu á **5** Aðgerð hnappinn endurtekið þar til vísirinn fyrir kæliholfið blikkar. Vísirinn Off fyrir kælinn og vísirinn fyrir kæliholfið blikka. Hitastigsvísir kælisins sýnir bandstrik.
2. Ýttu á **4** OK hnappinn til að staðfesta. Off vísirinn fyrir kælinn birtist og slökkt er á kæliholfinu.

Hitastilling

Stilltu hitastig heimilistækisins með því að ýta á hitastillana \pm .

Ráðlögð hitastilling er:

- +4°C fyrir kælinn
- -18°C fyrir frystinn

Hitasviðið getur verið breytilegt á bilinu -15°C til -24°C fyrir frystinn og á bilinu 2°C til 8°C fyrir kælinn.

Hitastigsvísar sýna hitastigið sem búið var að stilla.

- i** Hitastillingunni þarf að ná innan sólarhrings. Eftir rafmagnsleysi helst stillt hitastig vistað.

Innkaup Aðgerð

Ef þú þarft að setja inn mikið magn af volgum mat í kæliholfið, til dæmis eftir matarinnkaup, stingum við upp á að þú kveikir á Innkaup aðgerðinni til að kæla vörurnar hraðar og til að hindra að maturinn sem fyrir er í kælinum hitni.

1. Ýttu á **5** Aðgerð hnappinn þar til Innkaup vísirinn blikkar.
2. Ýttu á **4** OK hnappinn til að staðfesta. Innkaup vísirinn birtist. Viftan fer sjálfkrafa í gang á meðan aðgerðin er í gangi. Innkaup aðgerðin slekkur sjálfkrafa á sér eftir um það bil 6 klukkustundir.

Þú getur einnig afvirkjað Innkaup aðgerðina áður en hún endar sjálfvirkt með því að endurtaka ferlið þar til það slokknar á

Innkaup vísinum eða með því að ýta á **6**, **7** hitastigshnappana og stilla á aðra hitastillingu fyrir kælinn.

Sumarfrí Aðgerð

Þessi aðgerð gerir þér kleift að hafa kæliholfið tómt þegar farið er í langt frí og draga úr vondri lykt, um leið og frystihólfið getur virkað eðlilega.


- i** Kæliholfið verður að vera tómt með kveikt á Sumarfrí aðgerðinni.

1. Ýttu á **5** Aðgerð hnappinn þar til Sumarfrí vísirinn blikkar. Hitastigsvísir kælisins sýnir hitastigið sem búið var að stilla.
2. Ýttu á **4** OK hnappinn til að staðfesta. Sumarfrí vísirinn er birtist.

- i** Aðgerðin slekkur á sér eftir að önnur hitastilling fyrir kælinn hefur verið valin.

Hraðfrysting Aðgerð

Hraðfrysting aðgerðin er notuð til að forfrysta og hraðfrysta í þeirri röð í frystihólfinu. Þessi aðgerð hraðar frystingu ferskra matvæla og ver um leið matvæli sem þegar eru geymd gegn óæskilegri hitnun.

 Til að frysta fersk matvæli skal virkja Hraðfrysting aðgerðina minnst sólarhring áður en maturinn sem á að forfrysta er settur í frystihólfid.

1. Til að virkja þessa aðgerð skaltu ýta á **5** Aðgerð hnappinn þar til Hraðfrysting vísirinn blikkar.
2. Ýttu á **4** OK hnappinn til að staðfesta. Hraðfrysting vísirinn er birtist.

 Hraðfrysting aðgerð instöðvast sjálfkrafa eftir 52 klukkustundir.

Þú getur einnig afvirkjað Hraðfrysting aðgerðina áður en hún endar sjálfvirkt með því að endurtaka ferlið þar til það slokknar á Hraðfrysting vísinum eða með því að ýta á **2**, **3** hitastigshnappana og stilla á aðra hitastillingu fyrir frystinn.

Barnalæsing Aðgerð

Virkjaðu Barnalæsing aðgerðina til að læsa hnöppunum gegn óviljandi notkun.

1. Ýttu á **5** Aðgerð hnappinn þar til Barnalæsing vísirinn blikkar.
2. Ýttu á **4** OK hnappinn til að staðfesta. Barnalæsing vísirinn er birtist. Til að afvirkja Barnalæsing aðgerðina skal endurtaka ferlið þar til Barnalæsing vísirinn hverfur.


Flöskukæling Aðgerð

Hægt er að nota aðgerðina Flöskukæling til að stilla hljóðaðvörun á ákveðnum tíma, sem er til dæmis gagnlegt þegar uppskrift útheimtir að matvæli séu kæld í ákveðið langan tíma. Einnig er hún gagnleg þegar þörf er á áminningu til að gleyma ekki

flöskum eða dósum sem settar hafa verið í frystinn til að hraðkæla þær.

1. Ýttu á **5** Aðgerð hnappinn þar til Flöskukæling vísirinn blikkar. Tímastillirinn sýnir innstillt gildi (30 mínútur) í nokkrar sekúndur.
2. Ýttu á **2**, **3** hitastigshnappana til að breyta stilltu gildi tímamælisins úr 1 í 90 mínútur.
3. Ýttu á **4** OK hnappinn til að staðfesta. Flöskukæling vísirinn er birtist. Tímamælirinn byrjar að blikka (min). Við lok niðurtalningar blikkar „0 mín“ vísirinn og aðvörunarhljóðmerki heyrst. Þá skal fjarlægja þær vörur sem voru settar í heimilistækið til kælingar og ýta á **4** OK hnappinn til að slökkva á hljóðinu og stöðva aðgerðina.

Til að gera aðgerðina óvirka hvenær sem er í niðurtalningu er ferlið endurtekið þar til Flöskukæling vísirinn hverfur.

 Það er hægt að breyta tímanum hvenær sem er í niðurtalningunni og í lok hennar með því að ýta á **2** og **3** hitastigshnappana.

Viftukæling Aðgerð

Kælihölfiið er búið viftu sem gerir kleift að kæla matinn hratt og heldur jafnara hitastigi í hólfinu.

Viftan virkjust sjálfkrafa þegar þörf er á eða handvirkt.

Til að kveikja á aðgerðinni:

1. Ýttu á **5** Aðgerð hnappinn þar til Viftukæling vísirinn blikkar.
2. Ýttu á **4** OK hnappinn til að staðfesta. Viftukæling vísirinn er birtist. Til að slökkva á þessari aðgerð skaltu endurtaka ferlið þar til Viftukæling vísirinn hverfur.

- i** Ef aðgerðin er virkjuð sjálfvirkt er Viftukæling vísirinn ekki sýndur (sjá „Dagleg notkun“). Virkjun Viftukæling aðgerðarinnar eykur orkunotkun.

Viftan gengur aðeins þegar hurðin er lokað.

Aðvörðun um háan hita

Þegar hitastigið hækkar í frystihólfinu (til dæmis vegna þess að rafmagn hafði áður farið af), þá fer aðvörðun í gang, hitastigsvísar frystisins leiftra og hljóðið fer á. Til að slökkva á aðvörðuninni:

1. Ýttu á einhvern hnapp. Það slokknar á hljóðinu.
2. Hitastigsvísir frystisins sýnir hæsta hitastigið sem náðst hefur, í nokkrar sekúndur og síðan sýnir skjáinn stillt hitastig aftur.

- i** Aðvörðunarsvirinn heldur áfram að leiftra þar til eðlilegu ástandi er náð. Ef þú ýtir ekki á neinn hnapp, slekkur hljóðið á sér sjálfkrafa eftir eina klukkustund til að forðast truflun.

Aðvörðun fyrir opna hurð

Ef kælihurðin er skilin eftir opin í um það bil 5 mínútur heyrst hljóð og aðvörðunarsvir leiftrar.

Aðvörðunin stöðvast eftir að hurðinni er lokað. Meðan á aðvörðuninni stendur er hægt að þagga í hljóðinu með því að ýta á hnapp.

- i** Ef þú ýtir ekki á neinn hnapp, slekkur hljóðið á sér sjálfkrafa eftir eina klukkustund til að forðast truflun.

Fyrsta notkun

Innra byrði hreinsað

Áður en heimilistækið er notað í fyrsta sinn, skal þvo innri og alla innri fylgihluti með volgu vatni og hlutlausri sápu til að losna við dæmigerða lykt af nýrri vöru og þurrka svo vandlega.

- ⚠ VARÚÐ!** Ekki nota þvottaefni, slípiduft, klór eða olíublönduð hreinsiefni, þar sem það skemmir áferðina.

- ⚠ VARÚÐ!** Aukahlutir og hlutar heimilistækisins eru ekki ætlaðir fyrir uppþvottavélar.

Dagleg notkun

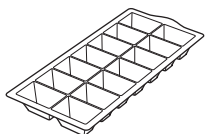
Aukabúnaður

Eggjabakki



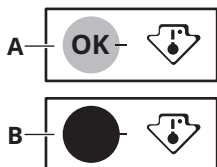
x1

Ísmolabox



x1

Vísir fyrir hitastig

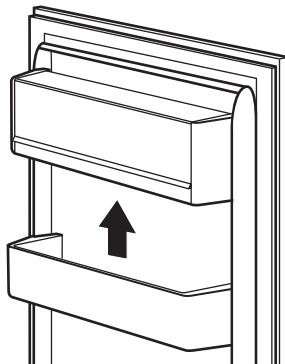


Fyrir rétta geymslu á matvælum er kælikápurinn búinn hitastigsvísi. Táknið á innri hlið heimilistækisins gefur til kynna kaldasta svæðið í kælikápnunum.

Ef OK er sýnt (A), skaltu láta ferska matinn aftur á svæðið sem tilgreint er með tákni, ef ekki (B), skaltu bíða í að minnsta kosti 12 klst. og kanna hvort það sé OK (A).

Ef það er enn ekki OK (B), skal stilla aftur á kaldari stillingu.

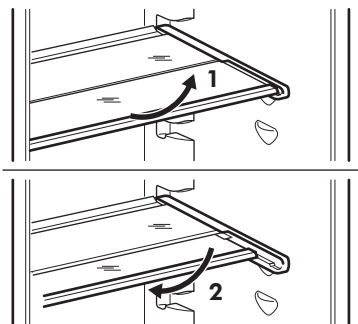
Hurðasvalir staðsettar



Til að hægt sé að geyma matarpakka af ýmsum stærðum er hægt að hafa hurðasvalirnar í mismunandi hæð.

Til að gera þessar stillingar skaltu gera sem hér segir: Togaðu svalirnar smám saman upp þar til þær eru lausar og settu þær í þá stöðu sem óskað er.

Færanlegar hillur



Hliðar kælikápsins eru búnaðar röðum af hillustoðum þannig að hægt sé að staðsetja hillurnar eftir þörfum.

Þetta heimilistæki er einnig búið hillu sem samanstendur af tveimur hlutum. Hægt er að setja framhluta hillunnar undir afturhlutann til að nýta betur plássíð.

Til að brjóta saman hilluna:

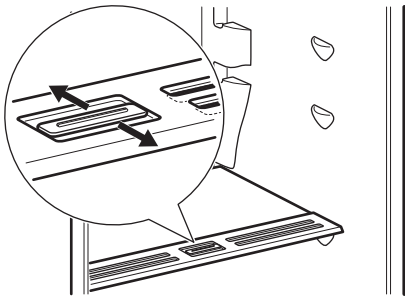
1. Taktu framhlutann varlega út.
2. Renndu honum inni í neðri grindina og undir afturhlutann.

⚠ VARÚÐ! Færðu ekki glerhillurnar fyrir ofan grænmetisskúffuna, til að tryggja rétt loftstreymi.

Rakastýring

Glerhillan innifelur búnað með ristum (stillanlegar með rennihandfangi) sem gerir mögulegt að stýra rakanum í grænmetisskúffunni.

i Ekki setja neinar matvörur á rakastýringarþúnaðinn.



Þegar loftræstiristarnar eru lokaðar:

Varðveitist náttúrulegt rakainnihald matvælnanna í ávaxta- og grænmetishólfunum lengur.

Þegar loftræstiristarnar eru opnar:

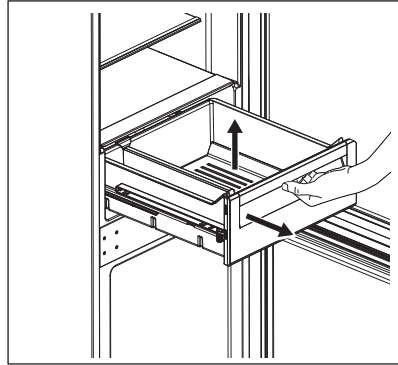
Leiðir meiri hringrás loftis til lægri loftraka í ávaxta- og grænmetishólfunum.

Grænmetisskúffa

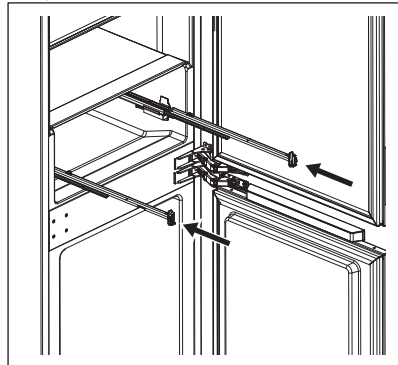
Skúffan er hentug til að geyma ávexti og grænmeti.

Til að fjarlægja skúffuna (t.d. fyrir þrif):

1. Dragðu út skúffuna og lyftu henni upp.

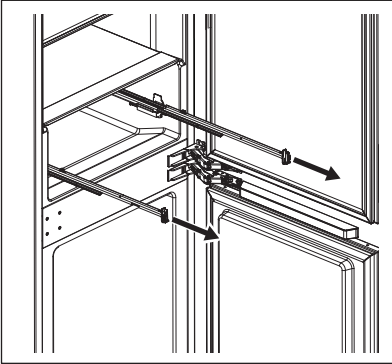


2. Ýttu renniteinunum inn í skápinn til að forðast skemmdir á heimilistækinu þegar þú lokar hurðinni.

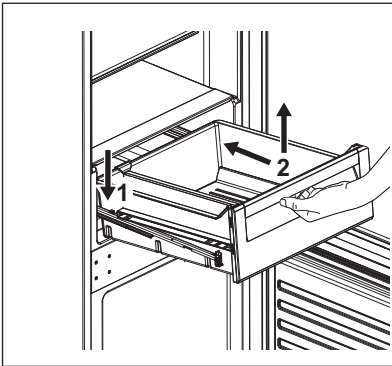


Til að setja saman aftur:

1. Togaðu renniteinana út.



2. Leggðu aftari hluta skúffunnar (1) á renniteinana.



3. Haltu fremri hluta skúffunnar (2) upp á meðan þú ýtir skúffunni inn.
4. Ýttu fremri hluta skúffunnar niður.

i Dragðu skúffuna aftur út og athugaðu að hún liggi rétt á bæði aftari og fremri krókunum.

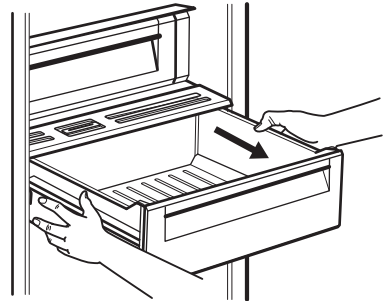
Rennihilla

Efsti hluti grænmetisskúffunnar er búinn rennihilla sem hýsir tvo lausa kassa. Hægt er að endurstaðsetja hana í samræmi við einstaklingsbundnar óskir til að fá betri aðgang. Gengið er frá ílátunum með sérstökum lokum til að einangra óæskilega lykt.

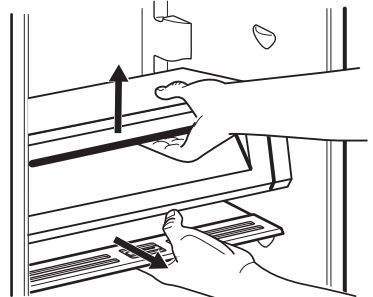
Aukasvæðið fjarlægjt

Til að fjarlægja aukasvæðið úr kælistápinum þarf að fylgja skrefunum að neðan:

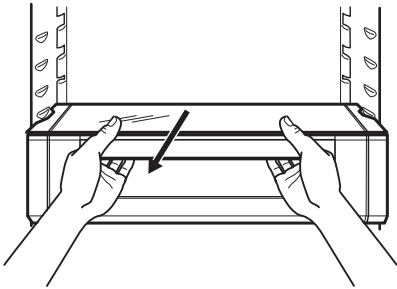
1. Togaðu grænmetisskúffuna út úr kælistápinum.



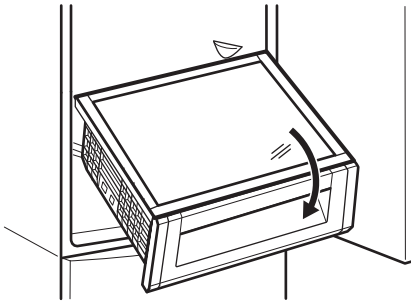
2. Lyftu hólfi aukasvæðisins og togaðu glerhlífina með rakastílinum út undan því.



3. Haltu skúffunni og glerhlífinni af aukasvæðishólfinu saman og togaðu þær í áttina að þér.

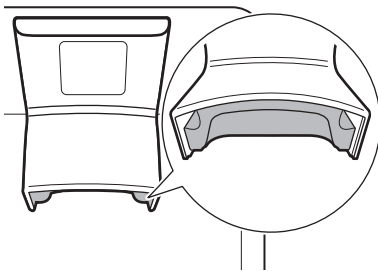


4. Hallaðu einingunni niður á við til að fjarlægja hana frá kælistápnnum.



Viftukæling

⚠ AÐVÖRUN! Ekki fjarlægja frauðplastið í botninum á búnaðinum.



Þessi búnaður virkjust sjálfkrafa þegar þörf er á.

Hægt er að kveikja handvirkt á búnaðinum eftir þörfum (sjá „Viftukæling Aðgerð“).

- i** Viftan gengur aðeins þegar hurðin er lokuð. Ef aðgerðin er virkjuð sjálfvirkt getur þú ekki slökkt á henni. Viftan afvirkjar sig sjálf.

Frysta fersk matvæli

Frystihólfíð hentar til þess að frysta fersk matvæli og geyma frosin og djúpfrosin matvæli til lengri tíma.

Til að frysta fersk matvæli skal virkja Hraðfrysting aðgerðina minnst 24 klukkustundum áður en maturinn sem á að frysta er settur í frystihólfíð.

Dreifíð fersku matvælunum jafnt yfir fyrsta hólfíð eða skúffuna talið ofan frá.

Hámarks magn matvæla sem hægt er að frysta á sólarhring án þess að bæta við öðrum ferskum matvælum er tilgreint á merkiplötunni (merkingu sem staðsett er inni í heimilistækinu).

Að frystiferlinu loknu, fer heimilistækið sjálfkrafa aftur í fyrri hitastillingu (sjá „Hraðfrysting aðgerðina“).

Til að fá frekari upplýsingar, sjá „Ábendingar um frystingu“.

Geymsla á frosnum matvælum

þegar heimilistækið er virkjað í fyrsta sinn eða eftir notkunarhlé skal láta það ganga í minnst 3 klukkustundir áður en vörurnar eru settar í hólfíð með kveikt á Hraðfrysting aðgerðinni.

Frystiskúffurnar tryggja að það sé auðvelt og fljótlegt að finna matarpakkann sem vantar. Ef það á að geyma mikið magn af matvælum, skal fjarlægja allar skúffur og láta matvælin í hillurnar.

Geymið matinn ekki nær hurðinni en 15 mm.

⚠ VARÚÐ! Ef þiðnun verður fyrir slysi, til dæmis af því að rafmagnið fer af, og rafmagnsleysið hefur varað lengur en gildið sem sýnt er á merkiplötunni undir „hækkunartími“, þarf að neyta þídda matarins fljótt eða elda hann strax, kæla og frysta hann svo aftur. Sjá „Háhitaaðvörðun“.

Þíðing

Djúpfrosinn eða frosinn mat er hægt að þíða í kælinum í eða í plastpoka undir köldu vatni, áður en maturinn er notaður.

Ábendingar og góð ráð

Ábendingar um orkusparnað

- Frystir: Innri uppsetning heimilistækisins er það sem tryggir skilvirkustu notkun orku.
- Kælir: Skilvirkasta notkun orku er tryggð í þeirri uppsetningu að skúffum í neðri hluta heimilistækisins og hillum sé jafnt dreift. Staðsetning kassa í hurð hefur ekki áhrif á orkunotkun.
- Ekki opna hurðina oft eða hafa hana opna lengur en nauðsyn krefur.
- Frystir: Því kaldari sem stillingin er, því meiri orku notar hún.
- Kælir: Ekki still á of háan hita til að spara orku nema eiginleikar matarins krefjist þess.
- Ef umhverfishitastigið er hátt, hitastýringin stillt á lágan hita og heimilistækið fullhlaðið, getur verið að þjappan sé stöðugt í gangi, en það getur valdið því að hrím eða ís hlaðist utan á eiminn. Í þessu tilfelli skaltu setja hitastýringuna í átt að hærra hitastigi til að leyfa sjálfvirka þíðingu og spara orku á þann hátt.
- Tryggðu gott loftflæði. Ekki hylja loftræstiristarnar eða götin.
- Gakktu úr skugga um að matvaran inn í heimilistækinu komi ekki í veg fyrir að loft

Þessi aðgerð veltur á því hversu mikill tími er til boða og tegund matarins. Litla bita má jafnvel elda frosna.

Ísmolaframleiðsla

Með þessu heimilistæki fylgir einn eða fleiri bakkar til ísmolagerðar.

- **i** Ekki nota málmverkfæri til að losa bakkana úr frystinum.

1. Fylltu þessa bakka af vatni.
2. Settu ísbakkana í frystihólfið.


geti flætt út um þar til gerð göt aftan á innanverðu heimilistækinu.

Ábendingar um frystingu

- Virkjaðu Hraðfrysting aðgerðina að minnsta kosti einum sólarhring áður en maturinn er látinn í frystihólfið.
- Áður en ferskur matur er frystur skal setja hann í álappír, plastfilmu eða poka, loftþétt ílát með loki.
- Til að fá skilvirkari frystingu og þíðingu ætti að skipta matvælunum í minni skammta.
- Mælt er með því að láta merkingar og dagsetningar á öll frosin matvæli. Það mun hjálpa þér að þekkja matvælin og vita hvenær þarf að nota þau áður en þau fara að spillast.
- Maturinn á að vera ferskur þegar hann er frystur til að varðveita gæðin. Sérstaklega ætti að frysta ávexti og grænmeti eftir uppskeru til að varðveita öll næringarefni þeirra.
- Ekki frysta dósir eða flöskur með vökva, sérstaklega kolsýrða drykki - þær geta sprungið þegar þær eru frystar.
- Ekki láta heitan mat í frystihólfið. Kældu niður að stofuhita áður en hann er látinn inn í hólfið.

- Til að forðast hækkun hitastigs fyrir matvæli sem þegar voru frosin skal ekki setja fersk, ófrosin matvæli beint við hlið þeirra. Láttu matvæli við stofuhita í þann hluta frystihólsins þar sem eru engin frosin matvæli.
- Ekki borða ísmola, vatnsís eða íspinna strax eftir að þeir hafa verið teknir úr frysti. Hætta er á kali.
- Ekki endurfrysta þiðin matvæli. Ef matvælin eru þiðin skaltu elda þau, kæla og frysta.

Ábendingar um geymslu á frosnum mat

- Frystihólfíð er það sem er merkt með .
- Góð hitastilling sem varðveitir frosna matvöru er -18°C eða lægri. Sé hærrí hiti stilltur fyrir heimilistækíð getur það leitt til styttri endingartíma fyrir vörurnar.
- Allt frystihólfíð hentar fyrir geymslu á frosnum vörum.
- Skildu eftir nægilegt pláss í kringum matvælin til að loft nái að flæða vel um þau.

- Fyrir fullnægjandi geymsluskilyrði, skal skoða fyrningardagsetninguna á matarumbúðum.
- Það er mikilvægt að þakka matvælunum þannig að vatn, raki og vatnsgufa komist ekki að þeim.

Innkaupaábendingar

Eftir að hafa keypt í matinn:

- Gakktu úr skugga um að umbúðirnar séu ekki skaddaðar - maturinn gæti hafa spillst. Ef umbúðirnar eru bólgnar eða blautar, getur verið að þær hafi ekki verið geymdar við réttar aðstæður og hafi þegar byrjað að þiðna.
- Til að takmarka þiðingu ætti að kaupa frosnar vörur í lok verslunarleiðangursins og flytja þær í kælitösku eða hitastillandi tösku.
- Settu frosnu matvælin samstundis í frystinn þegar þú snýrð aftur úr búðinni.
- Ef maturinn hefur þiðnað, jafnvel bara að hluta, skal ekki endurfrysta hann. Neyta skal matarins eins fljótt og hægt er.
- Virtu síðasta neysludag og geymsluupplýsingarnar sem finna má á umbúðum.

Endingartími fyrir frystihólf


Tegund matvæla	Endingartími (mánuð-ir)
Brauð	3
Ávextir (fyrir utan sítrusávexti)	6 - 12
Grænmeti	8 - 10
Afgangar án kjöts	1 - 2
Mjólkurvörur:	
Smjör	6 - 9
Mjúkur ostur (t.d. mozzarella)	3 - 4
Harður ostur (t.d. parmesan, cheddar)	6
Sjávarfang:	

Tegund matvæla	Endingartími (mánuð-ir)
Feitur fiskur (t.d. lax, makrill)	2 - 3
Magur fiskur (t.d. þorskur, flundra)	4 - 6
Rækjur	12
Skelfiskur og kræklingur án skelja	3 - 4
Eldaður fiskur	1 - 2
Kjöt:	
Alifuglakjöt	9 - 12
Nautakjöt	6 - 12
Svínakjöt	4 - 6
Lambakjöt	6 - 9
Pylsur	1 - 2
Skinka	1 - 2
Afgangar með kjöti	2 - 3

Ábendingar um kælingu á ferskum matvællum

- Góð hitastilling sem varðveitir ferska matvöru er +4°C eða lægri. Sé hærrí hiti stilltur fyrir heimilistækidi getur það leitt til styttri endingartíma fyrir matvælin.
- Láttu umbúðir yfir matvælin til að varðveita ferskleika þeirra og bragð.
- Notaðu alltaf lokuð ílát fyrir vökva og fyrir mat, til að forðast að lykt eða bragð safnist í hólfið.
- Til að forðast víxlmengun á milli eldaðrar og óeldaðrar matvöru, skal þekja eldaða matvöru og halda henni aðskildri frá hræri matvöru.
- Mælst er til þess að matvörur séu þíddar inn í kælinum.
- Ekki stinga heitri matvöru inn í heimilistækidi. Gakktu úr skugga um að matvaran hafi náð að kólna að stofuhita áður en gengið er frá henni.
- Til að koma í veg fyrir matarsóun skal alltaf setja ný matvæli fyrir aftan þau eldri.

Ábendingar um góða kælingu

- Ferskvöruhólfið er það sem er merkt (á merkiplötunni) með .

- Kjöt (af öllum gerðum): Pakka inn í hentugar umbúðir og setja á glerhilluna fyrir ofan grænmetisskúffuna. Kjöt skal ekki geyma lengur en 1-2 daga.
- Ávextir og grænmeti: Hreinsa vandlega (fjarlægja alla mold) og geyma í sérstakri skúffu (grænmetis-skúffunni).
- Ekki er æskilegt að geyma framandi ávexti eins og banana, mangó, papæjaldin, o.s.frv. í kælisrápnum.
- Grænmeti, svo sem tómata, kartöflur, lauk og hvítlauk, skal ekki geyma í kælisrápnum.
- Smjör og ostur: Setja í loftþéttar umbúðir eða pakka inn í álpappír eða pólýþen-poka til að útiloka eins mikið loft og hægt er.
- Flöskur: Loka með loki og setja í flöskuhilluna í hurðinni, eða (ef til staðar) í flöskurekkann.
- Til að flýta fyrir kælingu matvara er æskilegt að kveikja á viftunni. Virkjun viftukæling gerir innra hitastigið einsleitara.
- Skoðaðu alltaf „best fyrir“ dagsetningu varanna til að vita hversu lengi á að geyma þær.

Umhirða og þrif

⚠️ AÐVÖRUN! Sjá kafla um Öryggismál.

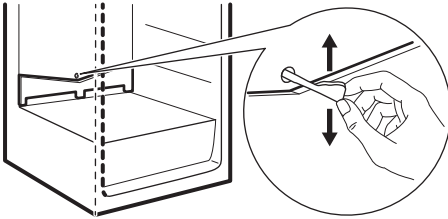
Reglubundin hreinsun

i Tæmdu heimilistækið fyrir hreinsun.

Hreinsa þarf búnaðinn reglulega:

1. Hreinsaðu innra byrðið og aukahluti með volgu vatni og hlutlausri sápu.
2. Skoðaðu hurðarþéttingar reglulega og strjúktu af þeim svo þær séu hreinar og lausar við óhreinindi.
3. Skolaðu og þurrkaðu vandlega.

Ísskápurinn affrystur



Frostið er sjálfkrafa losað úr eimi kælihólfins í hvert skipti sem þéttimótorinn

stöðvast við eðlilega notkun. Vatnið eftir affrystinguna lekur út í gegnum trekt í sérstakt ílát aftan á heimilistækinu fyrir ofan þjöppuna, þar sem það gufar upp.

Það er mikilvægt að hreinsa reglulega niðurfallsgatið fyrir affallsvatnið í miðri rás kælihólfins til að koma í veg fyrir að vatnið flæði upp úr og leki á matinn inni í kælinum.

Það skal nota rörahreinsinn sem fylgir með heimilistækinu við þriffin.

Affrysting frystisins

Frystihólfífi er hrímlaust. Það þýðir að ekkert hrím safnast upp þegar það er í notkun, hvorki á innri veggjum né á matvælunum.

Tímabundið ekki í notkun

Þegar heimilistækið er ekki í notkun til lengri tíma, skal grípa til eftirfarandi ráðstafana:

1. Aftengja tækið frá rafmagni.
2. Fjarlægja allan mat.
3. Hreinsa heimilistækið og alla aukahluti þess.
4. Hafa skal hurðirnar opnar til að koma í veg fyrir vonda lykt.

Bilanaleit

⚠️ AÐVÖRUN! Sjá kafla um Öryggismál.




Hvað skal gera ef...


Vandamál	Mögulega ástæða	Lausn
Heimilistækið virkar ekki.	Slökkt er á heimilistækinu.	Kveiktu á heimilistækinu.
Heimilistækið virkar ekki.	Rafmagnsklóin er ekki rétt tengd við rafmagnsinnstunguna.	Tengdu klóna við rafmagnsinnstunguna með réttum hætti.

Vandamál	Mögulega ástæða	Lausn
Heimilistækið virkar ekki.	Það er ekkert rafmagn á rafmagnsinnstungunni.	Tengdu annað raftæki við rafmagnsinnstunguna. Hafðu samband við faglærðan rafvirkja.
Heimilistækið gefur frá sér mikinn hávaða.	Heimilistækið er ekki með réttan stuðning.	Kannaðu hvort heimilistækið sé stöðugt.
Eftirfarandi hljóð heyrast: Bull, surg, hvæs, brestir eða smellir.		Þetta er eðlilegt. Sjá kaflann „Hljóð“.
Heyranleg eða sjónræn aðvörðun er í gangi.	Nýlega hefur verið kveikt á skápnum.	Sjá „Aðvörðun um opna hurð“ eða „Aðvörðun um hátt hitastig“.
Heyranleg eða sjónræn aðvörðun er í gangi.	Hitastig heimilistækisins er of hátt.	Sjá „Aðvörðun um opna hurð“ eða „Aðvörðun um hátt hitastig“.
Heyranleg eða sjónræn aðvörðun er í gangi.	Hurðin hefur verið skilin eftir opin.	Lokaðu hurðinni.
Þjappan gengur samfelld.	Hitastig er rangt stillt.	Sjá kaflann „Stjórnborð“.
Þjappan gengur samfelld.	Margar matvörur voru settar inn á sama tíma.	Bíddu í nokkrar klukkustundir og athugaðu svo hitastigið aftur.
Þjappan gengur samfelld.	Stofuhitinn er of hár.	Sjá kaflann „Uppsetning“.
Þjappan gengur samfelld.	Matvara sem látin var í heimilistækið var of heit.	Leyfðu matvörunni að kólna að stofuhita áður en hún er látin til geymslu.
Þjappan gengur samfelld.	Hurðin er ekki nægilega vel lokað.	Sjá hlutann „Hurðinni lokað“.
Þjappan gengur samfelld.	Kveikt er á Hraðfrysting aðgerðinni.	Sjá kaflann „Hraðfrysting Aðgerð“.
Þjappan gengur samfelld.	Kveikt er á Innkaup aðgerðinni.	Sjá kaflann „Innkaup Aðgerð“.
Þjappan fer ekki strax í gang eftir að ýtt er á „Hraðfrysting“ eða „Innkaup“, eða eftir að hitastigi er breytt.	Þjappan ræsist eftir nokkurn tíma.	Þetta er eðlilegt, engin villa hefur komið upp.
Hurðin er skökk eða rekst í loftræstiristina.	Tækið er ekki lárétt.	Sjá leiðbeiningar um uppsetningu.

Vandamál	Mögulega ástæða	Lausn
Hurð opnast ekki auðveldlega.	Þú reyndir að opna hurðina aftur strax eftir að þú lokaðir henni.	Bíddu í nokkrar sekúndur á milli þess að loka og opna hurðina aftur.
Ljósíð virkar ekki.	Ljósíð er í reiðuham.	Lokaðu og opnaðu hurðina.
Ljósíð virkar ekki.	Ljósíð er bilað.	Hafðu samband við næstu viðurkenndu þjónustumiðstöð.
Það er of mikið hrím og klaki.	Hurðin er ekki nægilega vel lokuð.	Sjá hlutann „Hurðinni lokað“.
Það er of mikið hrím og klaki.	Þéttiborðinn er afmyndaður eða óhrein.	Sjá hlutann „Hurðinni lokað“.
Það er of mikið hrím og klaki.	Matvöru er ekki rétt pakkað.	Pakkaðu matvörunni betur.
Það er of mikið hrím og klaki.	Hitastig er rangt stillt.	Sjá kaflann „Stjórnbörð“.
Það er of mikið hrím og klaki.	Heimilistækið er fullhlaðið og er stillt á lægsta hitastig.	Stilltu hærra hitastig. Sjá kaflann „Stjórnbörð“.
Það er of mikið hrím og klaki.	Hitastigið sem stillt er á heimilistækinu er of lágt og umhverfishitastig er of hátt.	Stilltu hærra hitastig. Sjá kaflann „Stjórnbörð“ og hlutann „Staðsetning“.
Vatnið flæðir á afturplötu kælikápsins.	Á meðan á sjálfvirka affrystingarfærlinu stendur, bræðir það frostið á afturplötunni.	Þetta er í lagi.
Of mikið vatn þéttist á afturvegg kælikápsins.	Hurðin var opnuð of oft.	Opnaðu hurðina aðeins þegar nauðsynlegt er.
Of mikið vatn þéttist á afturvegg kælikápsins.	Hurðinni var ekki lokað til fulls.	Gakktu úr skugga um að hurðinni sé lokað til fulls.
Of mikið vatn þéttist á afturvegg kælikápsins.	Geymdum mat var ekki pakkað.	Pakkaðu mat í hentugar pakkningar áður en þú setur hann í heimilistækið.
Vatn flæðir inn í kælikápnun.	Matvara hindrar að vatn renni í vatnssafnarann.	Gakktu úr skugga um að matvara snerti ekki aftari plötuna.
Vatn flæðir inn í kælikápnun.	Vatnsúttakið er stíflað.	Þrífðu vatnsúttakið.
Vatn flæðir á gólfinu.	Vatnsbræðsluúttakið er ekki tengt við uppgufunarbakkann fyrir ofan þjöppuna.	Tengdu vatnsbræðsluúttakið við uppgufunarbakkann.

Vandamál	Mögulega ástæða	Lausn
Vatn flæðir á gólfinu.	Hurðin var opin í langan tíma.	Opnaðu hurðina aðeins þegar nauðsynlegt er.
Vatn flæðir á gólfinu.	Þéttiborðinn er afmyndaður eða skemmdur.	Hafðu samband við viðurkennda þjónustumiðstöð.
Ekki er hægt að stilla hitastigið.	Kveikt er á „Hraðfrysting Aðgerð“ eða „Innkaup Aðgerð“.	Slökktu handvirkt á „Hraðfrysting Aðgerð“ eða „Innkaup Aðgerð“ eða bíddu þar til aðgerðin afvirkjast sjálfkrafa til þess að stilla hitastigið. Sjá kaflana „Hraðfrysting Aðgerð“ eða „Innkaup Aðgerð“.
Hitastig heimilistækisins er of lágt/hátt.	Hitastigið er ekki rétt stillt.	Stilltu hitastigið hærra/lægra.
Hitastig heimilistækisins er of lágt/hátt.	Hurðin er ekki nægilega vel lokuð.	Sjá hlutann „Hurðinni lokað“.
Hitastig heimilistækisins er of lágt/hátt.	Hitastig matvörunnar er of hátt.	Láttu hitastig matvörunnar lækka að stofuhita áður en hún er geymd.
Hitastig heimilistækisins er of lágt/hátt.	Of mikið af matvöru er geymt í einu.	Bættu við minna af matvöru í einu.
Hitastig heimilistækisins er of lágt/hátt.	Hurðin hefur verið opnuð of oft.	Opnaðu hurðina aðeins ef nauðsyn krefur.
Hitastig heimilistækisins er of lágt/hátt.	Kveikt er á Hraðfrysting aðgerðinni.	Sjá kaflann „Hraðfrysting Aðgerð“.
Hitastig heimilistækisins er of lágt/hátt.	Kveikt er á Innkaup aðgerðinni.	Sjá kaflann „Innkaup Aðgerð“.
Hitastig heimilistækisins er of lágt/hátt.	Það er ekkert kalt loftflæði í heimilistækinu.	Gakktu úr skugga um að það sé kalt loftflæði í heimilistækinu. Sjá kaflann „Ábendingar og ráð“.
DEMO birtist á skjánum.	Heimilistækið er í kynningarham.	Haltu OK takkanum inni í um það bil 10 sekúndur þar til að langt hljóð heyrst og skjárin slekkur á sér í skamma stund.

Vandamál	Mögulega ástæða	Lausn
Táknid  eða  eða  er sýnt í staðinn fyrir tölurnar á skjánum fyrir hitastig.	Vandamál með hitaskynjara.	Hafðu samband við næstu viðurkennda þjónustumiðstöð (kælikerfið mun halda áfram að halda matvælum köldum en aðlögun hitastigs verður ekki möguleg).


 Ef ráðið skilar ekki óskaðri niðurstöðu skaltu hringja í næstu viðurkennda þjónustumiðstöð.

Skipt um ljósið

Inni í heimilistækinu er ljósdíóðuljós með langan endingartíma.

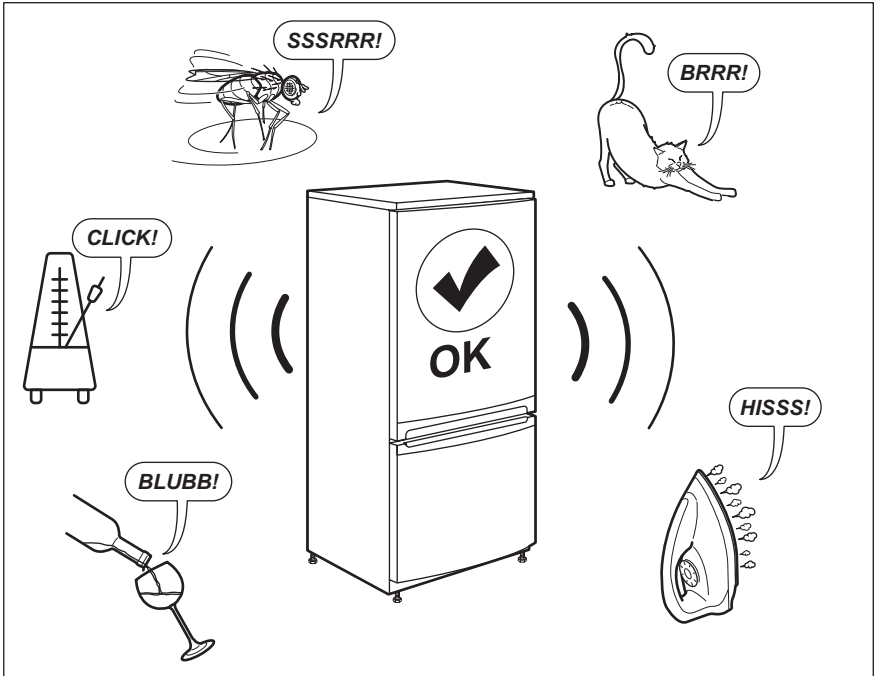
Aðeins viðgerðarþjónustur okkar mega skipta um ljósið. Hafðu samband við viðurkennda þjónustumiðstöðina.

Hurðinni lokað

 Forðastu að skella hurðum til að koma í veg fyrir að hlutir sem geymdir eru innan á færast til og detti.

1. Þrífið þéttiborða hurðarinnar.
2. Stillið af hurðina ef nauðsynlegt er. Sjá leiðbeiningar um samsetningu.
3. Ef nauðsynlegt reynist, skal skipta um ónýta þéttiborða. Hafðu samband við viðurkennda þjónustumiðstöð.

Hávaði

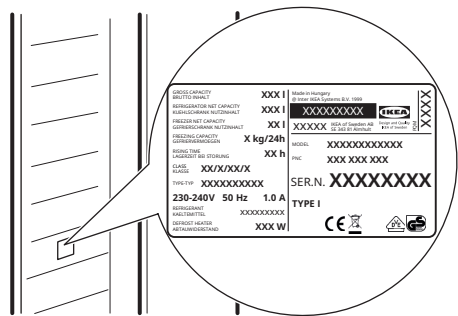


Tæknilegar upplýsingar

Vöruflokkur	
Vörutegund	Kælikápur - Frystir
Tegund uppsetningar	Aðeins innbyggður
Mælistærðir vöru	
Hæð	1884 mm
Breidd	546 mm
Lengd	549 mm
Nettórumtak	

Hólf fyrir fersk matvæli (kælikápur)	215,6 l
4 stjórnú hólf (frystir)	62,4 l
Afísunarkerfi	
Hólf fyrir fersk matvæli (kælikápur)	sjálfvirkt
4 stjórnú hólf (frystir)	sjálfvirkt
Stjórnugjöf	✱ ✱ ✱ ✱
Hækkunartími	9,5 klst
Frystigeta	3,5 kg/12klst.
Árleg orkunotkun	216 kWh
Hljóðútsætning sem berst í lofti	35 dB(A)
Orkunýtniflokkur	E
Spenna	230 - 240 V
Tíðni	50 Hz

Tæknilegar upplýsingar (að meðtöldu raðnúmeri) eru á merkiplötunni innan á vinstri hlið heimilistækisins og á miða með upplýsingum um orkunotkun.



QR-kóðinn á orkumerkingunni sem fylgir þessu tæki, gefur upp tengil á vefsíðu varðandi upplýsingar um frammistöðu tækisins í gagnagrunni EU EPREL. Geymdu orkumerkimiðann til uppflettingar ásamt notandahandbókinni og öllum öðrum skjölum sem fylgja með þessu heimilistæki.

Það er einnig mögulegt að nálgast sömu upplýsingar í EPREL með því að nota

tengilinn: <https://eprel.ec.europa.eu> og gerðarheiti og framleiðslunúmer sem finna má á merkiplötu heimilistækisins.


Sjá tengilinn: www.theenergylabel.eu varðandi ítarlegar upplýsingar um orkumerkingar.


Upplýsingar fyrir prófunarstofnanir

Uppsetning og undirbúningur heimilistækisins fyrir EcoDesign-vottun verður að samræmast EN 62552. Loftræstingarkröfur, stærðir skotsins og lágmarksbil að aftan verður að vera eins og

tilgreint er í 3. kafla í þessari notandahandbók. Hafðu samband við framleiðanda fyrir allar frekari upplýsingar, þar með talið hleðsluáætlanir.

Umhverfismál

Endurvinnna þarf öll efni merkt táknuinu . Setjið umbúðirnar í viðeigandi sorpílát til endurvinnslu. Leggið ykkar að mörkum til verndar umhverfinu og heilsu manna og dýra og endurvinnið rusl sem fylgir raftækjum og rafrænum búnaði. Hendið

ekki heimilistækjum sem merkt eru með táknuinu  í venjulegt heimilisrusl. Farið með vöruna í næstu endurvinnslustöð eða hafið samband við sveitarfélagið.

IKEA-ÁBYRGÐ

Hvað gildir IKEA-ábyrgðin lengi?

Ábyrgðin er í gildi í 5 ár frá kaupdegi vörunnar í IKEA. Framvísa þarf upprunalegu sölukvittuninni til sönnunar á kaupunum. Ef gert er við heimilistækið á meðan það er í ábyrgð, framlengir það ekki ábyrgðartíma tækisins.

Hver sér um þjónustuna?

Þjónustuaðili IKEA veitir þjónustuna í gegnum eigin viðgerðarþjónustu eða samþykktu samstarfsviðgerðarþjónustu.

Hvað nær þessi ábyrgð yfir?

Ábyrgðin nær yfir bilanir á heimilistækinu, sem orsakast af göllum í smíði þess eða efniviði frá þeim degi sem það var keypt hjá IKEA. Þess ábyrgð gildir eingöngu fyrir heimilisnotkun. Undantekningarnar eru taldar upp undir fyrirsögninni "Hvað nær þessi ábyrgð ekki yfir?" Innan ábyrgðartímans nær ábyrgðin yfir kostnað af viðgerð vegna bilunar, þ.e. viðgerðir, varahluti, vinnu og ferðir, að því tilskildu að heimilistækið sé aðgengilegt til að gera við án sérstakra útgjalda. Um þessa skilmála gilda viðmiðunarreglur ESB (Nr. 99/44/EG) og

reglugerðir hlutaðeigandi lands. Íhlutir sem teknir eru úr þegar skipt er um íhluti verða eign IKEA.

Hvað gerir IKEA til að leysa vandamálið?

Þjónustuaðili, skipaður af IKEA, mun skoða vöruna og taka einn ákvörðun um það hvort þessi ábyrgð nái yfir hana. Ef ábyrgðin telst ná yfir heimilistækið mun þjónustuaðili IKEA eða samþykkt samstarfsfyrirtæki annað hvort gera við gölluðu vöruna eða skipta henni fyrir sömu eða sambærilega vöru, og er ákvörðun um það alfarið í þeirra höndum.

Hvað nær þessi ábyrgð ekki yfir?

- Venjulegt slit.
- Skemmdir af ásettu ráði eða vegna vanrækslu, skemmdir vegna þess að notkunarleiðbeiningum hefur ekki verið fylgt, skemmdir vegna rangrar uppsetningar eða vegna þess að tengt er við ranga rafspennu, skemmdir sem stafa af efnáfræðilegum eða rafefnafræðilegum viðbrögðum, ryði, tæringu eða vatni, þar með talið en ekki eingöngu skemmdir sem stafa af miklu kalki í vatni og skemmdir sem stafa af óeðlilegum umhverfisaðstæðum.

- Hluti sem eyðast eins og rafhlöður og perur.
- Hluti sem hafa enga virkni eða eru eingöngu til skrauts og hafa ekki áhrif á venjulega notkun tækisins, þar með taldar rispur og hugsanlegan litamun.
- Skemmdir sem verða fyrir slysi vegna aðskotahluta eða -efna, hreinsunar eða losunar stíflna í síum, frárennisliskerfum eða sápuhölfum.
- Skemmdir á eftirfarandi hlutum: keramikgleri, aukahlutum, leirtaus- og hnífaparakörfum, aðrennslis- og frárennslisrörum, þéttum, perum og peruhlífum, skjáum, hnöppum, hlífum og hlífapörtum. Nema sannanlegt sé skemmdirnar séu tilkomnar vegna framleiðslugalla.
- Tilfelli þegar tæknimaður skoðar heimilistækið og finnur engan galla.
- Viðgerðir ekki framkvæmdar af þjónustuaðilum skipuðum af okkur og/eða samþykktum þjónustuaðila sem við eigum samning við eða notaðir hafa verið varahlutir sem ekki eru upprunalegir.
- Viðgerðin er tilkomin vegna uppsetningar sem var röng eða ekki í samræmi við tæknilýsingu.
- Notkun heimilistækisins annars staðar en inni á heimilinu, þ.e. í atvinnuskyni.
- Skemmdir við flutninga. Ef viðskiptavinur flytur vöruna heim til sín eða á annað heimilisfang, er IKEA ekki ábyrgt fyrir hugsanlegum skemmdum sem verða við flutningana.
- Hins vegar ef IKEA afhendir vöruna á afhendingarheimilisfang viðskiptavinarins, þá nær þessi ábyrgð yfir skemmdir sem verða við flutningana.
- Kostnað við að setja upp IKEA-heimilistækið í fyrsta sinn. Hins vegar ef þjónustuaðili IKEA eða samþykkt samstarfsviðgerðarþjónusta gerir við eða skiptir heimilistækinu samkvæmt skilmálum þessarar ábyrgðar, mun þjónustuaðilinn eða samþykkt samstarfsviðgerðarþjónustan setja heimilistækið aftur upp eftir viðgerðina

eða setja upp nýja heimilistækið, ef með þarf.

Þessi takmörkun á ekki við um verk sem unnið er án mistaka af sérhæfðum aðila með tilskilin réttindi sem notar upprunalega varahluti okkar, í þeim tilgangi að aðlaga heimilistækið að tæknilegum öryggiskröfum annars ESB-lands.

Hvernig landslögin gilda

IKEA-ábyrgðin veitir þér tiltekin lagaleg réttindi, sem samræmast eða ná út fyrir kröfurnar í viðkomandi landi. Þessir skilmálar takmarka þó ekki á neinn hátt réttindi neytenda sem lýst er í lögum viðkomandi lands.

Gildissvæði

Fyrir heimilistæki sem keypt eru í einu ESB-landi og síðan flutt til annars ESB-lands gildir þessi þjónusta innan ramma þeirra ábyrgðarskilmála sem teljast eðlilegir í nýja landinu. Skuldbinding til að gera við heimilistækið innan ramma ábyrgðarinnar er eingöngu til staðar ef heimilistækið samræmist og er sett upp í samræmi við:

- tækniröfur landsins þar sem ábyrgðarkrafan er gerð;
- samsetningarleiðbeiningarnar og öryggisupplýsingarnar í notendahandbókinni;

Sérstök eftirsöluþjónusta (After Sales Service) fyrir IKEA-heimilistæki:

Ekki hika við að hafa samband við eftirsöluþjónustu IKEA til að:

1. óska eftir viðgerð sem þessi ábyrgð nær yfir;
2. fá leiðbeiningar um hvernig á að setja IKEA-heimilistækið inn í til þess ætlaða IKEA-eldhúsinnréttingu. Þjónustan veitir ekki nánari leiðbeiningar í tengslum við:
 - uppsetningu á IKEA-eldhúsi í heild;
 - tengingu við rafmagn (ef kló og snúra fylgja ekki með tækinu) eða við vatn eða gas, þar sem samþykktur viðgerðaraðili þarf að sjá um slíkar tengingu.

3. óska eftir nánari útskýringu á efni notendahandbókarinnar eða tæknilýsingu IKEA-heimilistækisins.

Til þess að við getum aðstoðað þig sem best skaltu lesa samsetningarleiðbeiningar og/eða notendahandbókarhluta þessa bæklingss vandlega áður en þú hefur samband við okkur.

Leiðir til að ná í okkur ef þú þarfnast aðstoðar



Á öftustu síðu þessarar handbók er skrá yfir alla tengiliði á vegum IKEA og viðeigandi símanúmer í hverju landi.

- i** Til þess að geta veitt þér hraðari þjónustu mælum við með því að þú notir eingöngu símanúmerin sem gefin eru upp aftast í þessari handbók. Notaðu alltaf númerin sem gefin eru upp í bæklingnum fyrir það tiltekna heimilistæki sem þú þarft aðstoð fyrir. Áður en þú hringir í okkur skaltu vera viss um að hafa handtækt IKEA-vörunúmerið (8 talna kóða) og raðnúmerið (8 talna kóða sem finna má á merkiplötunni) fyrir heimilistækið sem þú þarft aðstoð okkar við.

- i** **GEYMDU SÖLUKVITTUNINA!**
Hún er þín staðfesting á kaupunum og skilyrði þess að ábyrgðin gildi. Athugaðu að á kvittuninni sést jafnframt IKEA-vöruheiti og -númer (8 stafa talnaruna) hvers heimilistækis sem þú keyptir.

Þarftu frekari hjálp?

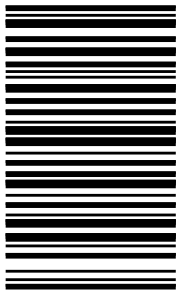
Til að fá svör við öðrum spurningum sem ekki tengjast eftirsölupjónustu heimilistækisins þíns skaltu hringja í þjónustusíma næstu IKEA-verslunar. Við mælum með að lesa bæklingana sem fylgdu

heimilistækinu áður en þú hefur samband við okkur.

Country	Phone number	Call Fee	Opening time
België	070 246016	Binnenlandse gesprekskosten	8 tot 20 Weekdagen
Belgique		Tarif des appels nationaux	8 à 20. En semaine
България	+359 2 492 9397	Според тарифата на оператора за обаждания към стационарен номер	От 8:30 до 17:30 ч в работни дни
Česká Republika	246 019721	Cena za místní hovor	8 až 20 v pracovních dnech
Danmark	70 15 09 09	Landstakst	man. - fre. 09.00 - 20.00 lør. - søn. 09.00 - 18.00
Deutschland	+49 1806 33 45 32*	* 0,20 €/Verbindung aus dem Festnetz max. 0,60 €/Verbindung aus dem Mobilfunknetz	Werktags von 8.00 bis 20.00
Ελλάδα	211 176 8276	Υπεραστική κλήση	8 έως 20 κατά τις εργάσιμες ημέρες
España	91 1875537	Tarifa de llamadas nacionales	De 8 a 20 en días laborables
France	0170 36 02 05	Tarif des appels nationaux	9 à 21. En semaine
Hrvatska	00385 1 6323 339	Cijena ovisi o pružatelju telefonske usluge korisnika	radnim danom od ponedjeljka do petka od 08:00 do 16:00
Ireland	0 14845915	National call rate	8 till 20 Weekdays
Ísland	+354 5852409	Innanlandsgjald fyrir síma	9 til 18. Virka daga
Italia	02 00620818	Tariffa applicata alle chiamate nazionali	dalle 8 alle 20 nei giorni feriali
Κυπρος	22 030 529	Υπεραστική κλήση	8.30 έως 16.30 κατά τις εργάσιμες ημέρες
Lietuva	5 230 06 99	Nacionalinių pokalbių tarifai	Pr. - Ketv.: 8:00 - 12:00, 12:45 - 17:00 Pnt.: 8:00 - 12:00, 12:45 - 15:45
Magyarország	06-1-252-1773	Belföldi díjszabás	Hétköznap 8.00 és 17.00 óra között
Nederland Luxembourg	050-7111267 (0900-BEL IKEA) +31 507111267 (international)	Geen extra kosten. Alleen lokaal tarief.	ma-vr: 8.00 - 21.00 zat: 9.00 - 21.00 zon / pub. vakantie: 10.00 - 18.00
Norge	22 72 35 00	Takst innland	8 til 18 ukedager
Österreich	+43-1-2056356	max. 10 Cent/min.	Mo - Fr 8.00 - 20.00 Uhr
Polska	801 400 711 and +48 22 749 60 99	Koszt zgodny z taryfą operatora	Od 8 do 20 w dni robocze
Portugal	211557985	Chamada Nacional	9 às 21. Dias de Semana *excepto feriados
România	021 211 08 88	Tarif apel național	8 - 20 în zilele lucrătoare
Россия	8 495 6662929	Действующие телефонные тарифы	с 8 до 20 по рабочим дням Время московское
Schweiz	031 5500 324	Tarif für Anrufe im Bundesgebiet	8 bis 20 Werkstage
Suisse		Tarif des appels nationaux	8 à 20. En semaine
Svizzera		Tariffa applicata alle chiamate nazionali	dalle 8 alle 20 nei giorni feriali
Slovenija	+38618108621	lokalni strošek je običajna tržna vrednost, odvisna od ponudnika telefonije	8.00 - 16.00 ob delavnikih
Slovensko	(02) 3300 2554	Cena vnútroštátneho hovoru	8 až 20 v pracovných dňoch
Suomi	030 6005203	pvm/mpm	Ma - To 8:00 -18:00 Pe 9:00 -16:00
Sverige	0775 700 500	lokalsamtal (lokal taxa)	mån-fre 8.30 - 20.00 lör-sön 9.30 - 18.00
United Kingdom	020 3347 0044	National call rate	9 till 21. Weekdays
Србија	+381 11 7 555 444 (ако позивате изван Србије) 011 7 555 444 (ако позивате из Србије)	Цена позива у националном саобраћају	Понедељак - субота: 09 - 20 Недеља: 09 - 18
Eesti, Latvija, Україна		www.ikea.com	



222380482-A-412022



© Inter IKEA Systems B.V. 2022

21552

AA-2342667-1