

TILLREDA

en
de
fr
it
da
no
fi
sv
pt
es
el
nl
cs
pl
ru
sk
lt
lv
uk
et
hr
sr
sl
tr
bg
ro
hu
is



Design and Quality
IKEA of Sweden



ENGLISH

You can find phone numbers of the IKEA appointed After Sales Service Providers at the end of this manual.

The electronic user manual is available at www.ikea.com.

For more information on energy consumption and other technical data of this product, access the following web link: <https://eprel.ec.europa.eu>

DEUTSCH

Die Telefonnummern der von IKEA benannten Kundendienstzentren finden Sie am Ende dieser Bedienungsanleitung.

Die elektronische Bedienungsanleitung ist unter www.ikea.com verfügbar.

Weitere Informationen über den Energieverbrauch und andere technische Daten dieses Produkts finden Sie unter folgendem Web-Link: <https://eprel.ec.europa.eu>

FRANÇAIS

Vous trouverez les numéros de téléphone des prestataires de service après-vente désignés par IKEA à la fin de ce manuel.

Le manuel d'utilisation électronique est disponible sur le site www.ikea.com.

Pour plus d'informations sur la consommation électrique et les autres données techniques de ce produit, consultez le lien suivant : <https://eprel.ec.europa.eu>

ITALIANO

I numeri di telefono dei fornitori di servizi post-vendita nominati da IKEA sono riportati alla fine del presente manuale.

Il manuale dell'utente in formato elettronico è disponibile su www.ikea.com.

Per ulteriori informazioni sul consumo energetico e altri dati tecnici del prodotto, accedere al seguente link: <https://eprel.ec.europa.eu>

DANSK

Du kan finde telefonnumrene på de IKEA-udpegede udbydere af eftersalgsservice bagerst i vejledningen.

Den elektroniske vejledning kan findes på www.ikea.com.

Åbn følgende weblink for at få flere oplysninger om energiforbrug og andre tekniske data for produktet: <https://eprel.ec.europa.eu>

NORSK

Du finner telefonnumrene til IKEA-utpekte ettersalgsserviceleverandører på slutten av denne manualen.

Den elektroniske brukermanualen er tilgjengelig fra www.ikea.com.

For mer informasjon om energiforbruket og annen teknisk informasjon om dette produktet, benyttes følgende link: <https://eprel.ec.europa.eu>

SUOMI

Löydät IKEA:n nimeämien asiakaspalvelun tarjoajien puhelinnumerot tämän oppaan lopusta.

Sähköinen käyttöopas on saatavilla osoitteesta www.ikea.com.

Lisätietoa tuotteen energiankulutuksesta ja muita teknisiä tietoja on saatavissa verkko-osoitteessa: <https://eprel.ec.europa.eu>

SVENSKA

Du kan hitta telefonnummer till IKEA:s utsedda kundserviceleverantörer i slutet av den här användarmanualen.

Den elektroniska användarmanualen finns på www.ikea.com.

För mer information om energiförbrukning och andra tekniska data för denna produkt bör du gå till följande webblänk: <https://eprel.ec.europa.eu>

PORTUGUÊS

Pode encontrar os números de telefone dos fornecedores de serviços pós-venda designados pela IKEA no final deste manual.

O manual do utilizador em formato digital está disponível no website www.ikea.com. Para mais informações sobre o consumo energético e outros dados técnicos deste produto, siga o seguinte link: <https://eprel.ec.europa.eu>

ESPAÑOL

Puede encontrar los números de teléfono de los proveedores de servicios posventa designados por IKEA al final de este manual.

El manual de usuario electrónico está disponible en www.ikea.com.

Para obtener más información sobre el consumo de energía y otros datos técnicos de este producto, visite el siguiente enlace web: <https://eprel.ec.europa.eu>

ΕΛΛΗΝΙΚΑ

Στο τέλος αυτού του εγχειριδίου μπορείτε να βρείτε τους αριθμούς τηλεφώνου των παρόχων τεχνικής εξυπηρέτησης της IKEA.

Το ηλεκτρονικό εγχειρίδιο χρήσης είναι διαθέσιμο στη διεύθυνση www.ikea.com.

Για περισσότερες πληροφορίες σχετικά με την κατανάλωση ενέργειας και άλλα τεχνικά στοιχεία αυτού του προϊόντος, επισκεφθείτε τον ακόλουθο διαδικτυακό σύνδεσμο: <https://eprel.ec.europa.eu>

NEDERLANDS

Aan het einde van dit boekje staan de telefoonnummers van de door IKEA goedgekeurde Klantenservice.

De elektronische gebruiksaanwijzing is beschikbaar op www.ikea.com.

Zie de volgende link voor meer informatie over energieverbruik en andere technische gegevens van dit product: <https://eprel.ec.europa.eu>

ČESKY

Telefonní čísla pověřených poskytovatelů poprodejního servisu IKEA najdete na konci tohoto návodu.

Elektronická verze návodu k obsluze je k dispozici na webu www.ikea.com.

Více informací o spotřebě energie a další technické údaje tohoto výrobku získáte na následujícím webovém odkazu: <https://eprel.ec.europa.eu>

POLSKI

Numery telefonów usług posprzedażowych rekomendowanych przez IKEA znajdziesz na końcu tego podręcznika użytkownika.

Cyfrowa wersja podręcznika jest dostępna w witrynie internetowej www.ikea.com.

Aby uzyskać więcej informacji dotyczących zużycia energii i danych technicznych produktu, skorzystaj z witryny internetowej <https://eprel.ec.europa.eu>

РУССКИЙ

Номера телефонов поставщиков послепродажного обслуживания, уполномоченных компанией IKEA, приведены в конце настоящего руководства.

Настоящее электронное руководство пользователя доступно на веб-сайте www.ikea.com.

Чтобы подробнее узнать об энергопотреблении и других технических характеристиках этого прибора, посетите веб-сайт <https://eprel.ec.europa.eu>

SLOVENSKY

Telefónne čísla poskytovateľov popredajných služieb určených spoločnosťou IKEA nájdete na konci tejto príručky.

Elektronický návod na používanie je k dispozícii na stránke www.ikea.com.

Ďalšie informácie o spotrebe energie a ďalšie technické údaje o tomto výrobku získate na nasledujúcej webovej stránke: <https://eprel.ec.europa.eu>

LIETUVIŲ

IKEA paskirtų garantinio aptarnavimo paslaugų teikėjų telefono numerius rasite šio vadovo pabaigoje.

Elektroninis naudojimo vadovas pateiktas interneto svetainėje www.ikea.com.

Daugiau informacijos apie šio gaminio suvartojamą energijos kiekį bei kitus techninius duomenis ieškokite šioje interneto svetainėje: <https://eprel.ec.europa.eu>

LATVIEŠU

IKEA pēcpārdošanas pakalpojumu sniedzēju tālruņa numurus skatiet šīs rokasgrāmatas beigās.

Lietotāja rokasgrāmata elektroniski ir pieejama www.ikea.com.

Papildu informāciju par šī izstrādājuma enerģijas patēriņu un citus tehniskos datus skatiet tīmekļa vietnē <https://eprel.ec.europa.eu>

УКРАЇНСЬКА

Телефонні номери уповноважених центрів сервісного обслуговування IKEA можна знайти в кінці цього посібника.

Електронна версія посібника користувача доступна на веб-сайті www.ikea.com.

Докладніше про енергоспоживання та інші технічні дані цього виробу дивіться на вебсайті: <https://eprel.ec.europa.eu>

EESTI

IKEA määratud müügijärgse teeninduse pakkujate telefoninumbrid leiate selle kasutusjuhendi lõpust.

Elektrooniline kasutusjuhend on saadaval aadressil www.ikea.com.

Lisateavet energiatarbimise ja teiste toote tehniliste andmete kohta leiate veebisaidilt: <https://eprel.ec.europa.eu>

HRVATSKI

Telefonske brojeve IKEA pružateljca usluga nakon prodaje možete pronaći na kraju ovog priručnika.

Elektronički korisnički priručnik dostupan je na www.ikea.com.

Za više informacija o potrošnji energije i drugim tehničkim podacima ovog proizvoda, pristupite sljedećoj web poveznici: <https://eprel.ec.europa.eu>

SRPSKI

Brojeve telefona ovlašćenih IKEA servisera možete pronaći na kraju ovog priručnika.

Elektronski korisnički priručnik je dostupan na www.ikea.com.

Za više informacija o potrošnji električne energije i ostalim tehničkim podacima ovog proizvoda, posetite <https://eprel.ec.europa.eu>

SLOVENŠČINA

Telefonske številke za dodeljene ponudnike poprodajnih storitev IKEA najdete na koncu tega priročnika.

Uporabniški priročnik v elektronski obliki je na voljo na spletnem mestu www.ikea.com.

Če želite več informacij o porabi energije in drugih tehničnih podatkih te naprave, kliknite/tapnite to povezavo: <https://eprel.ec.europa.eu>

TÜRKÇE

IKEA tarafından görevlendirilen Satış Sonrası Hizmet Sağlayıcılarının telefon numaralarını bu kılavuzun sonunda bulabilirsiniz.

Elektronik kullanım kılavuzu, www.ikea.com adresinde mevcuttur.

Bu ürünün enerji tüketimi ve diğer teknik verileri ile ilgili daha fazla bilgi için şu web sitesi bağlantısını kullanın: <https://eprel.ec.europa.eu>

БЪЛГАРСКИ

Телефонните номера на избраните от IKEA доставчици на следпродажбено обслужване са посочени в края на това ръководство.

Електронното ръководство за употреба можете да намерите на www.ikea.com.

За повече информация относно консумацията на електроенергия и други технически данни на този продукт вижте следния уебсайт:

<https://eprel.ec.europa.eu>

ROMÂNĂ

Puteti găsi numerele de telefon ale furnizorilor de servicii post-vânzare desemnați de IKEA la sfârșitul acestui manual.

Manualul electronic de utilizare este disponibil la adresa www.ikea.com.

Pentru mai multe informații despre consumul de energie și alte date tehnice ale acestui produs, accesați următorul link web: <https://eprel.ec.europa.eu>

MAGYAR

Az IKEA által kijelölt szervizek telefonszámait ennek a kézikönyvnek a végén találja.

A használati útmutató elektronikus változata a www.ikea.com címen található.

Az energiafogyasztással és a készülék más műszaki adataival kapcsolatos további információk a következő címen találhatóak: <https://eprel.ec.europa.eu>

ÍSLENSKA

Aftast í handbókinni eru símanúmer yfir alla veitendur eftirsöluþjónustu sem útnefndir hafa verið af IKEA.

Handbók á rafrænu formi er fáanleg á www.ikea.com.

Nánari upplýsingar um orkunotkun og aðrar tækniupplýsingar fást á eftirfarandi vefslóð: <https://eprel.ec.europa.eu>

ENGLISH	7
DEUTSCH	18
FRANÇAIS	30
ITALIANO	42
DANSK	54
NORSK	65
SUOMI	76
SVENSKA	87
PORTUGUÊS	98
ESPAÑOL	110
ΕΛΛΗΝΙΚΑ	122
NEDERLANDS	134
ČESKY	146
POLSKI	157
РУССКИЙ	169
SLOVENSKY	182
LIETUVIŲ	193
LATVIEŠU	204
УКРАЇНСЬКА	215
EESTI	227
HRVATSKI	238
SRPSKI	249
SLOVENŠČINA	260
TÜRKÇE	271
БЪЛГАРСКИ	282
ROMÂNĂ	294
MAGYAR	306
ÍSLENSKA	317

Contents

Safety information	7	Daily use.....	12
Safety instructions	8	Cleaning and maintenance.....	12
Installation	10	Troubleshooting.....	13
First use.....	11	Technical information.....	15
Product description	11	Environmental concerns	15
Operation.....	11	IKEA guarantee.....	16

Safety information

Before the installation and use of the appliance, carefully read the supplied instructions. The manufacturer is not responsible if an incorrect installation or use causes injuries or damages. Always keep the instructions with the appliance for future reference.

Children and vulnerable people safety



WARNING: Risk of fire/
Flammable materials

- This appliance can be used by children aged from 8 years and above and persons with reduced physical, sensory or mental capabilities or lack of experience and knowledge if they have been given supervision or instruction concerning the use of the appliance in a safe way and understand the hazards involved. Children shall not play with the appliance. Cleaning and user maintenance shall not be made by children without supervision. Children should be supervised to ensure that they do not play with the appliance.
- This appliance may be used by children between 3 and 8 years of age and persons with very extensive and complex disabilities, if they have been properly instructed.
- Children of less than 3 years of age should be kept away unless continuously supervised.
- Do not let children play with the appliance.

- Children shall not carry out cleaning and user maintenance of the appliance without supervision.
- Children aged from 3 to 8 years are allowed to load and unload refrigerating appliances.
- Keep all packaging away from children and dispose of it appropriately.

General Safety

- This appliance is intended to be used in household and similar applications such as:
 - staff kitchen areas in shops, offices and other working environments;
 - farm houses and by clients in hotels, motels and other residential type environments;
 - bed and breakfast type environments;
 - catering and similar non-retail applications.
- **WARNING:** Keep ventilation openings, in the appliance enclosure or in the built-in structure, clear of obstruction.
- **WARNING:** Do not use mechanical devices or other means to accelerate the defrosting process, other than those recommended by the manufacturer.
- **WARNING:** Do not damage the refrigerant circuit.
- **WARNING:** Do not use electrical appliances inside the food storage compartments of the appliance, unless they are of the type recommended by the manufacturer.
- **WARNING:** Do not use water spray and steam to clean the appliance.

- **WARNING:** Clean the appliance with a moist soft cloth. Only use neutral detergents. Do not use abrasive products, abrasive cleaning pads, solvents or metal objects.
- **WARNING:** Do not store explosive substances such as aerosol cans with a flammable propellant in this appliance.
- **WARNING:** If the supply cord is damaged, it must be replaced by the manufacturer, its service agent or similarly qualified persons in order to avoid a hazard.
- **WARNING:** When positioning the appliance, ensure the supply cord is not trapped or damaged.
- **WARNING:** Do not locate multiple portable socket-outlets or portable power supplies at the rear of the appliance.
- Opening the door for long periods can cause a significant increase of the temperature in the compartments of the appliance.
- Clean regularly surfaces that can come in contact with food and accessible drainage systems.
- Clean water tanks if they have not been used for 48 hours; flush the water system connected to a water supply if water has not been drawn for 5 days.
- Store raw meat and fish in suitable containers in the refrigerator, so that it is not in contact with or drip onto other food.
- If the refrigerating appliance is left empty for long periods, switch off, defrost, clean, dry, and leave the door open to prevent mould developing within the appliance.
- This refrigerating appliance is not suitable for freezing foodstuffs.
- This refrigerating appliance is not intended to be used as a built-in appliance.
- Two-star frozen-food compartments are suitable for storing pre-frozen food, storing or making ice-cream and making ice cubes.
- One-, two- and three-star compartments are not suitable for the freezing of fresh food.
- **WARNING:** To avoid a hazard due to instability of the appliance, it must be fixed in accordance with the instructions.

Safety instructions

Installation

- **WARNING!** Only a qualified person can install this appliance.
- Remove all the packaging.
- Do not install or use a damaged appliance.
- Follow the installation instructions supplied with the appliance.
- Always take care when moving the appliance as it is heavy. Always use safety gloves and enclosed footwear.
- Be careful not to damage the floors (e.g. parquet) when moving the appliance.
- Make sure the appliance is not near a heat source.
- Install and level the appliance on a floor strong enough to take its weight and in a place suitable for its size and use.
- Make sure the air can circulate around the appliance.
- At first installation or after reversing the door wait at least 4 hours before connecting the appliance to the power supply. This is to allow the oil to flow back into the compressor.

- Before carrying out any operations on the appliance (e.g. reversing the door), remove the plug from the power socket.
- The rear of the appliance must stand against the wall.
- Do not install the appliance where there is direct sunlight.
- Do not install this appliance in areas that are too humid or too cold such as wine cellars.

Electrical connection

- **WARNING!** Risk of fire and electrical shock.
- **WARNING!** When positioning the appliance, ensure the supply cord is not trapped or damaged.
- **WARNING!** Do not use multi-plug adapters or extension cables.
- The appliance must be earthed.

- Make sure that the parameters on the rating plate are compatible with the electrical ratings of the mains power supply.
- Always use a correctly installed shockproof socket.
- Make sure not to cause damage to the electrical components (e.g. mains plug, mains cable, compressor). Contact an Authorised Service Centre or an electrician to change the electrical components.
- The mains cable must stay below the level of the mains plug.
- Connect the mains plug to the mains socket only at the end of the installation. Make sure that there is access to the mains plug after the installation.
- Do not pull the mains cable to disconnect the appliance. Always pull the mains plug.
- UK and Ireland only:
This appliance is fitted with a 13 A mains plug. If it is necessary to change the mains plug fuse, use only a 13 A ASTA (BS 1362) fuse.

Use

- ⚠ WARNING!** Risk of injury, burns, electrical shock or fire.



The tubes of the refrigeration circuit contain a small quantity of the environmentally friendly but flammable refrigerant R600a. It does not damage the ozone layer and does not increase the greenhouse effect. If refrigerant escapes, it may injure your eyes or ignite. Do not damage the tubes.

- The surface of the compressor may become hot under normal operation. Do not touch it with hands.
- Do not change the specifications of this appliance.
- Do not put electrical appliances (e.g. ice cream makers) in the appliance unless they are stated applicable by the manufacturer.
- If damage occurs to the refrigerant circuit, make sure that there are no flames and sources of ignition in the room. Ventilate the room.
- Do not let hot items touch the plastic parts of the appliance.
- Do not store bottled drinks in the freezer compartment to prevent burst or other losses.
- Do not store flammable gases or liquids in the appliance.
- Do not put flammable products or items that are wet with flammable products in, near or on the appliance.
- Do not touch the compressor or the condenser. They are hot.
- Do not remove or touch items from the frozen-food compartment if your hands are wet or damp.
- Do not swallow the contents (non-toxic) of the ice packs.

- Do not eat ice cubes or ice lollies immediately after taking them out of the freezer since they may cause cold burns.
- Thawed food should not be put back in the frozen-food compartment.
- Follow the storage instructions on the packaging of food products.

Internal lighting

- ⚠ WARNING!** Risk of electric shock.

- The bulb used inside the appliance is specifically designed for domestic appliances and is not suitable for general room lighting within the home ((EU) 2019/2020).

Care and cleaning

- ⚠ WARNING!** Risk of injury or damage to the appliance.

- Before maintenance, deactivate the appliance and disconnect the mains plug from the mains socket.
- This appliance contains hydrocarbons in the cooling unit. Only a qualified person can do the maintenance and the recharging of the unit.
- Regularly examine the drain of the appliance and if necessary, clean it. If the drain is blocked, defrosted water collects at the bottom of the appliance.

Service

- To repair the appliance contact an Authorised Service Centre listed at the end of this manual.
- Use original spare parts only.

Disposal

- ⚠ WARNING!** Risk of injury or suffocation.

- Disconnect the appliance from the mains supply.
- Cut off the mains cable and discard it.
- Remove the doors to prevent children and pets to be closed inside the appliance.
- The refrigerant circuit and the insulation materials of this appliance are ozone-friendly.
- The insulation foam contains flammable gas. Contact your municipal authority for information on how to discard the appliance correctly.
- Do not cause damage to the part of the cooling unit that is near the heat exchanger.

The manufacturer declines any liability for injury to persons or animals or damage to property if the above advice and precautions are not respected.

Installation

⚠ WARNING! Before installing the appliance, carefully read the safety information in this booklet.

Installation checklist

Door

- Door seals completely to cabinet on all sides
- Door is level

Levelling

- Refrigerator is level

Electrical power

- Wait 4 hours
- House power turned on
- Refrigerator plugged in

Final checks

- Packing materials removed
- Refrigerator temperature set

Positioning

- Follow the separate Assembly Instructions to install this appliance.
- Install this appliance at a location where the ambient temperature corresponds to the climate class indicated on the rating plate of the appliance. This ensures the correct operation of the appliance. Explanation of climate classes is as follows:

Climate class	Ambient temperature range
SN	+10°C to +32°C
N	+16°C to +32°C
ST	+16°C to +38°C
T	+16°C to +43°C

- "SN" indicates that this refrigerating appliance is intended to be used at ambient temperatures ranging from 10°C to 32°C.
- "N" indicates that this refrigerating appliance is intended to be used at ambient temperatures ranging from 16°C to 32°C.
- "ST" indicates that this refrigerating appliance is intended to be used at ambient temperatures ranging from 16°C to 38°C.
- "T" indicates that this refrigerating appliance is intended to be used at ambient temperatures ranging from 16°C to 43°C.

ⓘ For some models of appliances, some functional problems can occur when they operate outside the specified temperature ranges. The correct operation can only be guaranteed within the specified temperature ranges. If you have any doubts regarding installation, please turn to the vendor, our customer service or the nearest Authorised Service Centre.

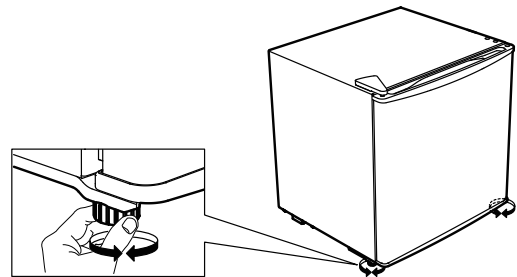
Location

To ensure best performance, install the appliance well away from sources of heat such as radiators, boilers, and direct sunlight. Make sure that air can circulate freely around the back of the cabinet.

Levelling the appliance

If the appliance tilts in some way, adjust the two feet at the front of the appliance to level the appliance. Refer to the separate Assembly Instructions for detailed instructions.

1. Disconnect the mains plug of the appliance from the power socket.
2. Turn the foot clockwise to raise the appliance. Turn the foot anticlockwise to lower the appliance.



Cleaning the appliance

Before using the appliance for the first time, clean the appliance to remove the typical smell of a brand-new product.

1. Make sure the appliance is disconnected from the power supply.
2. Wipe the interior with a soft, moistened cloth.
3. Wash the internal accessories with lukewarm water and some neutral soap, then dry thoroughly.

CAUTION!

Do not use abrasive, chloride or acidic cleaning agents or solvents.

- Do not use scouring or abrasive sponges. The metallic surfaces may corrode.
- Never clean the accessories using a dishwasher. They may become deformed.

Electrical connection

⚠ CAUTION! Any electrical work required to install this appliance should be carried out by a qualified electrician or competent person.

⚠ WARNING! This appliance must be earthed. Failure to follow these instructions can result in death, fire or electrical shock.

The manufacturer declines any liability should these safety measures not be observed. This appliance complies with the E.E.C. Directives.

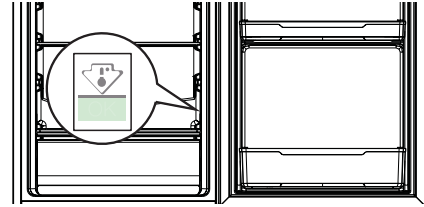
First use

Connect the appliance to the power supply. The ideal food storage temperatures are already factory-set (intermediate).

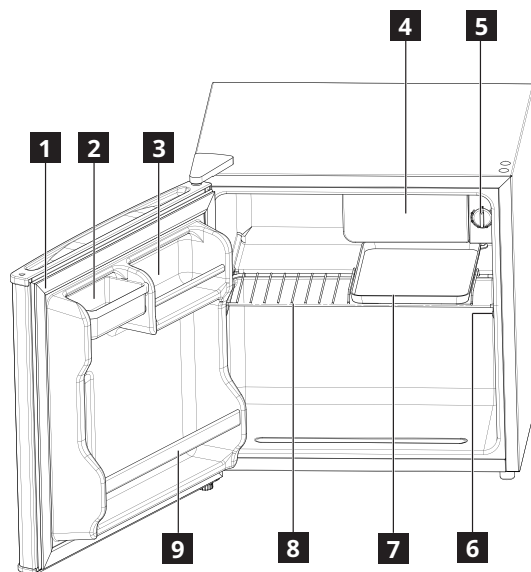
Note: After being switched on, the appliance needs 4-5 hours in order to reach the correct temperature to store a typical volume of food.

Important!

In accordance with regulations in some countries, it must be provided with a special device (see the figure below) placed in the lower refrigerator compartment of the appliance to indicate the coldest zone of it.



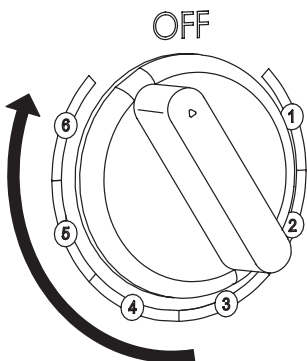
Product description



- 1** Door gasket
- 2** Storage box
- 3** Can holder
- 4** Chill compartment

- 5** Temperature regulator
- 6** Rating plate
- 7** Defrosting tray
- 8** Shelf
- 9** Bottle holder

Operation



Switching on

Connect the mains plug to a power socket and adjust the temperature. The appliance switches on and starts operating.

Adjusting the temperature

The temperature is automatically regulated.

To adjust the temperature:

- Turn the temperature regulator toward a lower setting to decrease the coldness.
- Turn the temperature regulator toward a higher setting to increase the coldness.

i A medium setting is generally the most suitable.

Adjust the temperature setting by keeping in mind that the temperature inside the appliance depends on:

- room temperature
- how often the door is opened
- the quantity of food stored
- the location of the appliance

Important! If the ambient temperature is high or the appliance is fully loaded, and the appliance is set to the lowest temperatures, it may run continuously causing frost to form on the rear wall. In this case a higher temperature must be set to allow

automatic defrosting and therefore reduced energy consumption.

Tips:

- The lower the temperature, the longer you can safely store your food and the more electricity the appliance consumes.
- The higher the temperature, the quicker your stored food decays and the less electricity the appliance consumes.

Switching off

To switch off the appliance, turn the temperature regulator knob to point to the "OFF" position and then disconnect the mains plug from the power socket.

Daily use

Hints for fresh food refrigeration

- Cover or wrap the food, particularly if it has a strong flavour.
- Position the food so that air can circulate freely around it.
- For best performance, leave enough space in the refrigerator compartment for air to circulate around the packages. Also leave enough room at the front so the door can close tightly.
- Do not store warm food or evaporating liquids in the refrigerator.
- Cooked foods and cold dishes: cover and place on any shelf.
- Fruit and vegetables: clean thoroughly and place in the vegetable drawer. Bananas, potatoes, onions and garlic must not be kept in the refrigerator if not packed.
- Butter and cheese: place in special airtight containers or wrap in aluminium foil or polythene bags to exclude as much air as possible.
- Bottles: close with caps and place on the door balconies.

Energy saving tips

- Install the appliance in a dry, well ventilated room far away from any heat source (e.g. radiator, cooker, etc.) and in a place not exposed directly to the sun. If required, use an insulating plate.

- To guarantee adequate ventilation follow installation instructions.
- Insufficient ventilation on back of the product increases energy consumption and decreases cooling efficiency.
- The internal temperatures of the appliance may be affected by the ambient temperature, frequency of door opening, as well as location of the appliance. Temperature setting should take into consideration these factors.
- Allow warm food and drinks to cool down before placing in the appliance.
- Do not obstruct the fan (if available) with food items.
- After placing or removing food, ensure you close the door properly, especially the freezer door.
- Reduce to a minimum door opening.
- When thawing frozen food, place them in the refrigerator. The low temperature of the frozen products cools the food in the refrigerator.
- Positioning of the shelves in the refrigerator has no impact on the efficient usage of energy. Food should be placed on the shelves in such way to ensure proper air circulation (food should not touch each other and distance between food and rear wall should be kept).
- Damaged gaskets must be replaced as soon as possible.

Cleaning and maintenance

General tips

- Regularly clean the appliance with a cloth and a solution of warm water and neutral detergent specifically formulated for refrigerator interiors. Do not use abrasive cleaners or tools.
- Before servicing or cleaning the appliance, unplug it from the mains or disconnect the power supply.

CAUTION! The refrigerator accessories must not be placed in a dishwasher.

Defrosting the appliance

- Defrost the appliance whenever the layer of frost on the surface of the evaporator becomes 3 to 4 mm thick.

- Before defrosting, remove all food and switch off the appliance. Put the defrosting tray under the evaporator to collect the melted water.
- After all frost has melted, pour away the melted water, dry the interior of the appliance with a dry cloth and switch the appliance back on.

3. Remove all food.
4. Defrost and clean the appliance.
5. Leave the doors open just enough to allow air to circulate inside the compartments. This will prevent the formation of mould and unpleasant odours.

If you do not use the appliance for a prolonged period

1. Switch off the appliance.
2. Disconnect the appliance from the power supply.

In the event of a power cut

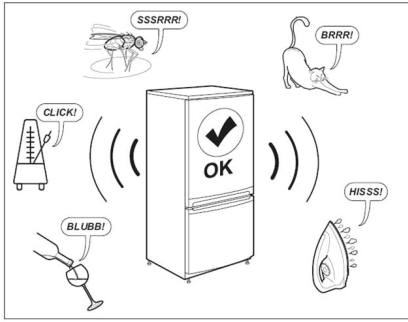
- Keep the doors of the appliance closed. This will allow the food to stay cold as long as possible.

Troubleshooting

Problem	Possible Cause	Solution
The appliance does not operate.	The appliance is switched off.	Switch on the appliance.
	The mains plug is not connected to the mains socket correctly.	Connect the mains plug to the mains socket correctly.
	There is no voltage in the mains socket.	To find out if the mains socket is working, connect a different electrical appliance to it. Contact a qualified electrician to repair the socket.
The appliance is noisy.	The appliance is not placed stably.	Level the appliance. Refer to "Levelling the appliance", or the separate Assembly Instructions.
The compressor runs continuously.	The set temperature is too low.	Set a higher temperature. Refer to "Operation".
	Many food products were inserted at the same time.	Wait some hours and then check the temperature again.
	The room temperature is too high.	Reposition the appliance if possible. Refer to "Positioning".
	Food products placed in the appliance were too warm.	Allow food products to cool to room temperature before storing.
	The door is not closed correctly.	Refer to "Closing the door".
The temperature in the appliance is too low/too high.	The temperature was not set correctly.	Set a higher/lower temperature.
	The door is not closed correctly.	Refer to "Closing the door".
	Food products placed in the appliance were too warm.	Allow food products to cool to room temperature before storing.
	Many food products were inserted at the same time.	Insert less food products at the same time.
	The thickness of the frost is greater than 4-5 mm.	Defrost the appliance.
	Door was opened too frequently.	Open the door only when necessary.
	There is not enough cold air circulation in the appliance.	Reposition the food so that air can circulate freely in the appliance.
The door does not close completely.	Refer to "Closing the door".	Refer to "Closing the door".

Normal noises

It is normal for the refrigeration system to produce some noises, such as gurgling and hissing.



Closing the door

If	Do
Door gaskets are dirty.	Clean them.
Door gaskets are damaged.	Contact the After Sales Service to replace them.
The door is blocked by shelves, drawers, food items, etc.	Position correctly or remove the objects that block the door.
The appliance is not level.	Level the appliance. Refer to "Levelling the appliance", or the separate Assembly Instructions.
The door is not aligned with the cabinet.	Adjust the door. Refer to the separate Assembly Instructions.

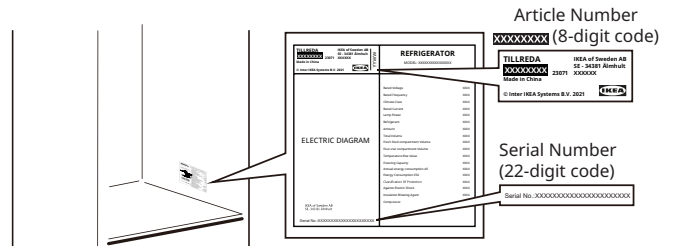
Before contacting the After-sales Service:

Restart the appliance to see if the fault has been remedied. If it persists, switch the appliance off again and repeat the operation after an hour.

If your appliance still does not work properly after carrying out the checks listed in the troubleshooting guide and switching the appliance on again, contact the After-sales Service, clearly explaining the problem and specifying:

- the nature of the problem
- the date of purchase
- the model and serial number of the appliance

i The article number and serial number are shown on the rating plate on the internal right side of the appliance.



Picture for reference only

Technical information

Product category	
Product type	Refrigerator
Installation type	Freestanding
Product dimensions	
Height	492 mm
Width	472 mm
Depth	450 mm
Net volume	
Fridge	43.0 L
Defrost system	
Fridge	Manual
Other specifications	
Star rating	N/A
Temperature rising time	N/A
Energy consumption	80 kWh/year
Noise level	41 dB(A)
Energy class	E
Rated voltage	220 - 240 V~
Rated frequency	50 Hz
Light source of energy efficiency class	N/A

Note: Information about the product in the product database can be accessed by scanning the QR code on the EPREL label.

Environmental concerns

1. Packing materials ♻️


Recyclable materials are marked with the symbol ♻️. Put the packing materials in relevant containers to recycle them.

Keep the packing materials (plastic bags, polystyrene parts, etc.) out of the reach of children, as they are a potential source of danger.

2. Scrapping/Disposal

The appliance is manufactured using recyclable material.

This appliance is marked in compliance with European Directive 2002/96/EC on Waste Electrical and Electronic Equipment (WEEE). By ensuring the correct disposal of this appliance, you can help prevent potentially negative consequences for the environment and human health.

The symbol  on the appliance, or on the accompanying documents, indicates that this appliance should not be treated as domestic waste but must be taken to a special collection centre for the recycling of electrical and electronic equipment. When scrapping the appliance, make it unusable by cutting off the power cable and removing the doors and shelves so that children cannot easily climb inside and become trapped.

Scrap the appliance in compliance with local regulations on waste disposal, taking it to a special collection centre; do not leave the appliance unattended even for a few days, since it is a potential source of danger for children. For further information on the treatment, recovery and recycling of this product, contact your competent local office, the household waste collection service or the shop where you purchased the appliance.

Declaration of conformity

- This appliance has been designed for preserving food and is manufactured in compliance with Regulation (EC) No 1935/2004.



- This appliance has been designed, manufactured and marketed in compliance with:
 - safety objectives of the "Low Voltage" Directive 2014/35/EU (which replaces 2006/95/CE and subsequent amendments);

- the protection requirements of Directive "EMC" 2014/30/EU.
- This appliance has been designed, manufactured and marketed in compliance with:
 - Electromagnetic Compatibility Regulations 2016
 - Electrical Equipment (Safety) Regulations 2016

**IKEA guarantee****How long is the IKEA guarantee valid?**

The guarantee is valid for **2 years** from the purchase date unless otherwise specified in national legislation. In Norway, Portugal and Spain the guarantee is valid for 3 years from the delivery date to the customer unless otherwise specified in national legislation. The original sales receipt, is required as proof of purchase. If service work is carried out under guarantee, this will not extend the guarantee period for the appliance.

Who will execute the service?

IKEA service provider will provide the service through its own service operations or authorized service partner network.

What does this guarantee cover?

The guarantee covers faults of the appliance, which have been caused by faulty construction or material faults from the date of purchase from IKEA. This guarantee applies to domestic use only. The exceptions are specified under the headline "What is not covered under this guarantee?" Within the guarantee period, the costs to remedy the fault e.g. repairs, parts, labour and travel will be covered, provided that the appliance is accessible for repair without special expenditure. On these conditions the EU guidelines (Nr. 99/44/EG) and the respective local regulations are applicable. Replaced parts become the property of IKEA.

What will IKEA do to correct the problem?

IKEA appointed Service Provider will examine the product and decide, at its sole discretion, if it is covered under this guarantee. If considered covered, IKEA Service Provider or its authorized service partner through its own service operations, will then, at its sole discretion, either repair the defective product or replace it with the same or a comparable product.

What is not covered under this guarantee?

- Normal wear and tear.
- Deliberate or negligent damage, damage caused by failure to observe operating instructions, incorrect installation or by connection to the wrong voltage, damage caused by chemical or electrochemical reaction, rust, corrosion or water damage including but not limited to damage caused by excessive lime in the water supply, damage caused by abnormal environmental conditions.
- Consumable parts including batteries and lamps.
- Non-functional and decorative parts which do not affect normal use of the appliance, including any scratches and possible color differences.
- Accidental damage caused by foreign objects or substances and cleaning or unblocking of filters, drainage systems or soap drawers.
- Damage to the following parts: ceramic glass, accessories, crockery and cutlery baskets, feed and drainage pipes, seals, lamps and lamp covers, screens, knobs, casings and parts of casings. Unless such damages can be proved to have been caused by production faults.
- Cases where no fault could be found during a technician's visit.
- Repairs not carried out by our appointed service providers and/or an authorized service contractual partner or where non-original parts have been used.
- Repairs caused by installation which is faulty or not according to specification.
- The use of the appliance in a non-domestic environment i.e. professional use.
- Transportation damages. If a customer transports the product to his home or another address, IKEA is not liable for any damage that may occur during transport. However, if IKEA delivers the product to the customer's delivery address, then damage to the product that occurs during this delivery will be covered by IKEA.

- Cost for carrying out the initial installation of the IKEA appliance. However, if an IKEA appointed Service Provider or its authorized service partner repairs or replaces the appliance under the terms of this guarantee, the appointed Service Provider or its authorized service partner will reinstall the repaired appliance or install the replacement, if necessary.

These restrictions do not apply to fault-free work carried out by a qualified specialist using our original parts in order to adapt the appliance to the technical safety specifications of another EU country.

How country law applies

The IKEA guarantee gives you specific legal rights, which cover or exceed all the local legal demands. However these conditions do not limit in any way consumer rights described in the local legislation.

Area of validity

For appliances which are purchased in one EU country and taken to another EU country, the services will be provided in the framework of the guarantee conditions normal in the new country.

An obligation to carry out services in the framework of the guarantee exists only if the appliance complies and is installed in accordance with:

- the technical specifications of the country in which the guarantee claim is made;
- the Assembly Instructions and User Manual Safety Information.

The dedicated AFTER SALES for IKEA appliances

Please don't hesitate to contact IKEA appointed After Sales Service Provider to:

- make a service request under this guarantee;
- ask for clarifications on installation of the IKEA appliance in the dedicated IKEA kitchen furniture;
- ask for clarification on functions of IKEA appliances.

To ensure that we provide you with the best assistance, please read carefully the Assembly Instructions and/or the User Manual before contacting us.

How to reach us if you need our service



You can find phone numbers of the IKEA appointed After Sales Service Providers at the end of this manual.

- ⓘ **In order to provide you with a quicker service, we recommend that you use the specific phone numbers listed in this manual. Always use the phone numbers listed in the user manual for the specific appliance you need an assistance for. Please remember to provide the 8-digit article number and 22-digit serial number shown on the rating plate of your appliance.**

- ⓘ **SAVE THE SALES RECEIPT!** It is your proof of purchase and required for the guarantee to apply. The sales receipt also reports the IKEA name and article number (8 digit code) for each of the appliances you have purchased.

Do you need extra help?

For any additional questions not related to After Sales of your appliances please contact your nearest IKEA store call centre. We recommend you read the appliance documentation carefully before contacting us.

Spare parts information

- The following spare parts: thermostats, temperature sensors, printed circuit boards and light sources, will be available to professional repairers for a minimum period of seven years, after placing the last unit of the model on the market.
- The following spare parts: door handles, door hinges, trays and baskets will be available to professional repairers and end users for a minimum period of seven years, and door gaskets for a minimum period of 10 years, after placing the last unit of the model on the market.

The spare parts can be found: www.ikea.com

Inhalt

Sicherheitshinweise.....	18	Tägliche Verwendung.....	24
Sicherheitsanweisungen.....	19	Reinigung und Wartung.....	24
Aufstellung	21	Problembeseitigung.....	25
Erstinbetriebnahme.....	22	Technische Daten.....	27
Produktbeschreibung.....	23	Hinweise zum Umweltschutz	27
Bedienung	23	IKEA-Garantie	28

Sicherheitshinweise

Lesen Sie sich vor der Aufstellung und der Verwendung des Produkts die mitgelieferte Bedienungsanleitung sorgfältig durch. Der Hersteller haftet nicht für Verletzungen und Schäden, die sich aus einer unsachgemäßen Aufstellung, Montage oder Verwendung des Produkts ergeben. Bewahren Sie diese Bedienungsanleitung zur späteren Verwendung stets in der Nähe des Produkts auf.

Sicherheit von Kindern und hilfsbedürftigen Personen



WARNUNG: Brandgefahr/
Entflammbare Materialien

- Dieses Produkt kann von Kindern ab 8 Jahren und Personen mit eingeschränkten physischen, sensorischen oder geistigen Fähigkeiten oder unzureichenden Erfahrungen und Kenntnissen benutzt werden, wenn sie beaufsichtigt werden oder sie in die sichere Benutzung des Produktes eingewiesen worden sind und die mit der Benutzung verbundenen Gefahren verstehen. Kinder dürfen nicht mit dem Gerät spielen. Reinigung und Wartung dürfen von Kindern nicht unbeaufsichtigt vorgenommen werden. Um sicherzustellen, dass Kinder nicht mit dem Gerät spielen, sind diese zu beaufsichtigen.
- Dieses Gerät kann von Kindern im Alter von 3 bis 8 Jahren und Personen mit sehr weitreichenden und komplexen Behinderungen verwendet werden, wenn sie ordnungsgemäß eingewiesen wurden.
- Kinder, die das 3. Lebensjahre noch nicht erreicht haben, sind von diesem Produkt fernzuhalten.
- Lassen Sie Kinder nicht mit dem Produkt spielen.
- Kinder dürfen Reinigungs- und Wartungsarbeiten an dem Produkt nicht unbeaufsichtigt durchführen.
- Kinder im Alter von 3 bis 8 Jahren dürfen Kühlgeräte be- und entladen.
- Halten Sie alle Verpackungen von Kindern fern und entsorgen Sie diese entsprechend.

Allgemeine Sicherheitshinweise

- Dieses Produkt ist für den Haushaltsgebrauch und ähnliche Anwendungsbereiche bestimmt, wie beispielsweise:
 - Teeküchen in Geschäften, Büros und anderen Arbeitsbereichen;
 - in Bauernhäusern, durch Kunden in Hotels, in Motels sowie in anderen Wohnumgebungen;
 - in Frühstückspensionen;
 - in der Gastronomie und anderen Anwendungen außerhalb.
- **WARNUNG:** Halten Sie die Lüftungsöffnungen des Produkts frei – sowohl am Gehäuse als auch im Inneren.
- **WARNUNG:** Verwenden Sie keine mechanischen Geräte oder andere Mittel als die vom Hersteller empfohlenen, um den Auftauprozess zu beschleunigen.
- **WARNUNG:** Beschädigen Sie nicht den Kühlmittelkreislauf.

- **WARNUNG:** Verwenden Sie keine elektrischen Geräte innerhalb der Lebensmittelfächer des Produkts, es sei denn, sie wurden vom Hersteller empfohlen.
- **WARNUNG:** Nutzen Sie zur Reinigung des Produkts kein Sprühwasser oder Dampf.
- **WARNUNG:** Reinigen Sie das Produkt mit einem angefeuchteten, weichen Tuch. Verwenden Sie ausschließlich neutrale Reinigungsmittel. Verwenden Sie keine Scheuermittel, Scheuerschwämme, Lösungsmittel oder Metallgegenstände.
- **WARNUNG:** Bewahren Sie keine explosiven Substanzen wie Sprühdosen mit entzündlichen Treibgasen in diesem Produkt auf.
- **WARNUNG:** Sollte das Netzkabel Beschädigungen aufweisen, lassen Sie es umgehend durch den Hersteller, seinen Reparaturdienst oder ähnlich qualifiziertes Personal ersetzen, um den damit einhergehenden Gefahren vorzubeugen.
- **WARNUNG:** Vergewissern Sie sich beim Aufstellen des Produkts, dass das Netzkabel weder eingeklemmt noch beschädigt ist.
- **WARNUNG:** An der Rückseite des Produkts dürfen sich keine Mehrfachsteckdosen oder Verlängerungskabel befinden.
- Langes Öffnen der Tür kann zu einem erheblichen Anstieg der Temperatur in den Fächern des Produkts führen.
- Reinigen Sie regelmäßig Oberflächen, die mit Lebensmitteln in Kontakt kommen können sowie zugängliche Abflusssysteme.
- Reinigen Sie die Wassertanks, wenn sie 48 Stunden lang nicht benutzt wurden; spülen Sie das an eine Wasserleitung angeschlossene Wassersystem durch, wenn für 5 Tage kein Wasser entnommen wurde.
- Lagern Sie rohes Fleisch und Fisch in geeigneten Behältern im Kühlabteil, sodass sie nicht mit anderen Lebensmitteln in Kontakt kommen oder auf diese tropfen.
- Wenn das Kühlgerät längere Zeit leer steht, schalten Sie es aus, tauen Sie es ab und reinigen Sie es. Trocknen Sie es anschließend gründlich ab und lassen Sie die Tür offen, um der Schimmelbildung im Inneren des Geräts vorzubeugen.
- Dieses Kühlgerät ist nicht zum Einfrieren von Lebensmitteln geeignet.
- Dieses Kühlgerät ist nicht für die Verwendung als Einbaugerät vorgesehen.
- Zwei-Sterne-Tiefkühlkostfächer eignen sich für die Aufbewahrung von vorgefrorenen Lebensmitteln, die Lagerung oder Herstellung von Speiseeis und die Herstellung von Eiswürfeln.
- Ein-, Zwei- und Drei-Sterne-Fächer eignen sich nicht zum Einfrieren von frischen Lebensmitteln.
- **WARNUNG:** Um eine Gefährdung durch Instabilität des Produkts zu vermeiden, muss es entsprechend den Anleitungen befestigt werden.

Sicherheitsanweisungen

Aufstellung

⚠ WARNUNG! Die Aufstellung dieses Produkts darf nur durch eine qualifizierte Person erfolgen.

- Entfernen Sie das Verpackungsmaterial.
- Sehen Sie bei Beschädigungen von der Aufstellung und Verwendung des Produkts ab.
- Befolgen Sie sämtliche der in der dem Produkt beiliegenden Bedienungsanleitung aufgeführten Anweisungen bezüglich der Aufstellung und Montage.
- Lassen Sie aufgrund des Gewichts des Produkts sowohl beim Umstellen als auch beim Transportieren Vorsicht walten. Tragen Sie stets Sicherheitshandschuhe und geschlossenes Schuhwerk.
- Achten Sie beim Umstellen/Transportieren des Produkts darauf, dass der Boden (z. B. Parkett) nicht beschädigt wird.
- Vergewissern Sie sich, dass das Produkt nicht in der Nähe einer Wärmequelle aufgestellt wird.

- Das Produkt muss an einem Ort aufgestellt und nivelliert werden, dessen Untergrund für das Gewicht des Produkts ausgelegt ist und der sowohl für die Aufstellung als auch die Verwendung des Produkts ausreichend Platz bietet.
- Stellen Sie sicher, dass die Luft um das Produkt herum zirkulieren kann.
- Warten Sie nach der erstmaligen Aufstellung oder dem Umdrehen der Tür mindestens vier Stunden, bevor Sie das Produkt an die Netzstromversorgung anschließen. Dies ist notwendig, damit das Öl zurück in den Kompressor fließen kann.
- Trennen Sie stets den Netzstecker von der Netzsteckdose, bevor Sie Arbeiten an dem Produkt vornehmen (z. B. die Tür umdrehen).
- Die Rückseite des Produkts muss an einer Wand ausgerichtet sein.
- Stellen Sie das Produkt nicht an Orten auf, an denen es direkter Sonneneinstrahlung ausgesetzt ist.
- Stellen Sie das Produkt nicht an Orten auf, die eine zu hohe Feuchtigkeit oder eine zu niedrige Umgebungstemperatur aufweisen (z. B. in Garagen oder Weinkellern).

Elektrischer Anschluss

⚠️ WARNUNG! Brand- und Stromschlaggefahr.

⚠️ WARNUNG! Vergewissern Sie sich beim Aufstellen des Produkts, dass das Netzkabel weder eingeklemmt noch beschädigt ist.

⚠️ WARNUNG! Schließen Sie das Produkt nicht an Mehrfachsteckdosen oder Verlängerungskabel an.

- Das Produkt muss geerdet sein.
- Achten Sie darauf, dass die Parameter auf dem Typenschild mit den elektrischen Nennwerten der Netzstromversorgung übereinstimmen.
- Benutzen Sie ausschließlich ordnungsgemäß installierte Schutzkontaktsteckdosen.
- Achten Sie darauf, dass Sie die elektrischen Komponenten nicht beschädigen (z. B. Netzstecker, Netzkabel und Kompressor). Wenden Sie sich an ein autorisiertes Kundendienstzentrum oder eine entsprechend ausgebildete Elektrofachkraft, um elektronische Komponenten austauschen zu lassen.
- Das Netzkabel muss tiefer verlegt werden als der Netzstecker in der Steckdose.
- Schließen Sie den Netzstecker erst nach abgeschlossener Aufstellung an die Steckdose an. Vergewissern Sie sich, dass der Netzstecker nach dem Anschließen weiterhin zugänglich ist.
- Ziehen Sie nicht am Netzkabel, um das Gerät vom Stromnetz zu trennen. Ziehen Sie immer am Netzstecker.

- Nur Vereinigtes Königreich und Irland:
Dieses Produkt ist mit einem 13-A-Netzstecker ausgestattet. Sollte die Sicherung des Netzsteckers durch eine neue ersetzt werden müssen, greifen Sie ausschließlich auf 13-A-Sicherungen des Typs ASTA (BS 1362) zurück.

Gebrauch

⚠️ WARNUNG! Verletzungs-, Verbrennungs-, Brand- und Stromschlaggefahr.



In den Rohren des Kühlkreislaufs befindet sich eine geringe Menge des umweltfreundlichen, aber brennbaren Kältemittels R600a. Es schädigt weder die Ozonschicht noch verstärkt es den Treibhauseffekt. Bei einem Austritt des Kältemittels besteht jedoch die Gefahr, dass Sie Verletzungen an den Augen erleiden oder dass sich das Kältemittel entzündet. Achten Sie also darauf, dass die Rohre nicht beschädigt werden.

- Die Oberfläche des Kompressors kann im normalen Betrieb heiß werden. Fassen Sie ihn nicht mit bloßen Händen an.
- Nehmen Sie keinerlei Änderungen an den Spezifikationen des Produkts vor.
- Legen/Stellen Sie keine elektrischen Geräte (z. B. Eismaschinen) in das Produkt, es sei denn, dies wurde vom Hersteller zugelassen.
- Wenn der Kältemittelkreislauf beschädigt wird, stellen Sie sicher, dass sich keine offenen Flammen und Zündquellen im Raum befinden. Lüften Sie den Raum.
- Sorgen Sie dafür, dass keine heißen Gegenstände mit den Kunststoffteilen des Produkts in Kontakt kommen.
- Bewahren Sie Getränke in Flaschen nicht im Gefrierfach auf, um dem Zerbersten der Flaschen und etwaigen anderen Schäden vorzubeugen.
- Lagern Sie keine entzündlichen Gase und Flüssigkeiten in dem Produkt.
- Legen/Stellen Sie keine entflammbaren Produkte oder mit entflammbaren Mitteln benetzte/ getränkte Gegenstände in, in die Nähe oder auf das Produkt.
- Berühren Sie nicht den Kompressor oder den Kondensator. Beide sind heiß.
- Berühren Sie keine Gegenstände im Gefrierabteil, wenn Ihre Hände nass oder feucht sind.
- Verzehren Sie nicht den Inhalt (ungiftig) der Eisbeutel.
- Essen Sie Eiswürfel oder Eissticks nicht direkt nach dem Herausnehmen aus dem Gefrierfach, um Erfrierungen vorzubeugen.
- Aufgetaute Lebensmittel dürfen nicht wieder in das Gefrierabteil gegeben werden.
- Beachten Sie die sich auf der Verpackung von Lebensmitteln befindlichen Anweisungen bezüglich der Aufbewahrung.

Interne Beleuchtung

⚠ **WARNUNG!** Stromschlaggefahr.

- Bei der im Inneren des Produkts eingeschraubten Glühbirne handelt es sich um ein speziell für Haushaltsgeräte konzipiertes Leuchtmittel, das nicht für die allgemeine Raumbeleuchtung im Haushalt geeignet ist ((EU) 2019/2020).

Reinigung und Pflege

⚠ **WARNUNG!** Verletzungsgefahr und Gefahr einer Beschädigung des Produkts.

- Schalten Sie das Produkt vor der Wartung aus und trennen Sie den Netzstecker von der Netzsteckdose.
- Dieses Produkt enthält Kohlenwasserstoffe in seinem Kühlsystem. Nur eine qualifizierte Person darf die Wartung und das Nachfüllen des Produkts vornehmen.
- Überprüfen Sie den Wasserablauf des Produkts regelmäßig und unterziehen Sie ihn erforderlichenfalls einer Reinigung. Wenn der Wasserablauf verstopft ist, sammelt sich Tauwasser am Boden des Produkts.

Reparaturen

- Wenden Sie sich zur Reparatur des Produkts an ein am Ende dieser Bedienungsanleitung aufgeführtes autorisiertes Kundendienstzentrum.
- Verwenden Sie ausschließlich Original-Ersatzteile.

Aufstellung

⚠ **WARNUNG!** Lesen Sie sich vor der Aufstellung des Produkts sämtliche der in dieser Broschüre enthaltenen Sicherheitshinweise sorgfältig durch.

Checkliste bezüglich der Aufstellung

Tür

- Tür dichtet das Gehäuse allseitig ordnungsgemäß ab
- Tür ist nivelliert

Nivellierung

- Kühlschrank ist nivelliert

Strom

- 4 Stunden warten
- Die Netzstromversorgung ist eingeschaltet
- Der Kühlschrank ist am Stromnetz angeschlossen

Abschließende Überprüfungen

- Verpackungsmaterial entfernt
- Die Kühlschranktemperatur wurde eingestellt

Aufstellung

- Befolgen Sie bei der Aufstellung dieses Produkts die in der separaten Montageanleitung aufgeführten Anweisungen.

Entsorgung

⚠ **WARNUNG!** Verletzungs- und Erstickungsgefahr.

- Trennen Sie das Produkt vom Stromnetz.
- Schneiden Sie das Netzkabel ab und entsorgen Sie es.
- Entfernen Sie die Türen des Produkts, um zu verhindern, dass Kinder oder Haustiere im Inneren des Produkts eingeschlossen werden.
- Der Kältemittelkreislauf und die Dämmstoffe dieses Produkts stellen keinerlei Gefahr für die Ozonschicht dar.
- Die Schaumisolierung enthält brennbares Gas. Wenden Sie sich für Informationen zur sachgemäßen Entsorgung des Produkts an Ihre Kommunalverwaltung.
- Vermeiden Sie Schäden am Kühlsystem, das sich in der Nähe des Wärmetauschers befindet.

Der Hersteller lehnt jede Haftung für Verletzungen an Personen oder Tieren und/oder Sachschäden, die sich aus der Nichtbeachtung der oben aufgeführten Hinweise und Vorsichtsmaßnahmen ergeben, ab.

- Stellen Sie dieses Produkt stets an einem Ort auf, an dem die Umgebungstemperatur mit der auf dem Typenschild des Produkts angegebenen Klimaklasse übereinstimmt. Dadurch wird der ordnungsgemäße Betrieb des Produkts gewährleistet. Nachstehend sind die einzelnen Klimaklassen aufgeführt:

Klimaklasse	Umgebungstemperaturbereich
SN	+10 bis +32 °C
N	+16 bis +32 °C
ST	+16 bis +38 °C
T	+16 bis +43 °C

- „SN“ bedeutet, dass dieses Kühlgerät für den Einsatz bei Umgebungstemperaturen von +10 °C bis +32 °C vorgesehen ist.

- „N“ bedeutet, dass dieses Kühlgerät für den Einsatz bei Umgebungstemperaturen von +16 °C bis +32 °C vorgesehen ist.

- „ST“ bedeutet, dass dieses Kühlgerät für den Einsatz bei Umgebungstemperaturen von +16 °C bis +38 °C vorgesehen ist.

- „T“ bedeutet, dass dieses Kühlgerät für den Einsatz bei Umgebungstemperaturen von +16 °C bis +43 °C vorgesehen ist.

- ⓘ Bei einigen Gerätemodellen kann es bei Betrieb außerhalb der angegebenen Temperaturbereiche zu Funktionsstörungen kommen. Ein korrekter Betrieb kann nur innerhalb der angegebenen Temperaturbereiche garantiert werden. Sollten Sie Zweifel bezüglich der Aufstellung haben, wenden Sie sich an den Händler, unseren Kundendienst oder an das nächstgelegene autorisierte Kundendienstzentrum.

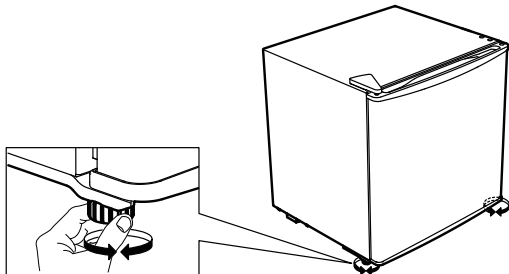
Aufstellungsort

Stellen Sie das Produkt in ausreichendem Abstand zu Wärmequellen wie Heizungen, Boilern und direkter Sonneneinstrahlung auf, um die optimale Leistung zu gewährleisten. Stellen Sie sicher, dass die Luft frei um die Rückseite des Gehäuses zirkulieren kann.

Nivellieren des Produkts

Wenn sich das Produkt neigt, justieren Sie die beiden Füße an der Vorderseite des Produkts, um es auszurichten. Ausführliche Anweisungen zur Montage der Türen finden Sie in der separaten Montageanleitung.

1. Trennen Sie den Netzstecker von der Netzsteckdose.
2. Drehen Sie den Fuß im Uhrzeigersinn, um das Produkt anzuheben. Drehen Sie den Fuß gegen den Uhrzeigersinn, um das Produkt abzusenken.



Reinigen des Produkts

Unterziehen Sie das Produkt vor dem erstmaligen Gebrauch einer gründlichen Reinigung, um den typischen Geruch fabrikneuer Produkte zu beseitigen.

1. Stellen Sie zunächst einmal sicher, dass das Produkt von der Stromversorgung getrennt ist.
2. Nehmen Sie dann ein weiches, leicht angefeuchtetes Tuch zur Hand und reinigen Sie die Innenräume des Produkts.
3. Reinigen Sie die sich im Inneren des Produkts befindlichen Zubehörteile mit lauwarmem Wasser und einem milden Reinigungsmittel und trocknen Sie sie anschließend gründlich ab.

VORSICHT!

Sehen Sie von der Verwendung scheuernder, chlorid- oder säurehaltiger Reinigungsmittel oder Lösungsmittel unbedingt ab.

- Verwenden Sie keine Scheuerschwämme oder etwaige andere Scheuermittel. Bei Nichtbeachtung dieses Hinweises kann es zu Korrosion an den metallischen Oberflächen kommen.
- Reinigen Sie die Zubehörteile unter keinen Umständen in der Geschirrspülmaschine. Die Nichtbeachtung dieses Hinweises kann Verformungen nach sich ziehen.

Elektrischer Anschluss

⚠ **VORSICHT!** Alle elektrischen Arbeiten, die für den Anschluss dieses Produkts erforderlich sind, müssen von einem/einer qualifizierten Elektriker/-in oder einer Fachkraft durchgeführt werden.

⚠ **WARNUNG!** Dieses Produkt muss geerdet sein. Die Nichtbeachtung dieser Hinweise kann lebensgefährliche Verletzungen, die Entstehung eines Brands oder einen elektrischen Schlag nach sich ziehen.

Bei Nichtbeachtung dieser Sicherheitsmaßnahmen lehnt der Hersteller jegliche Haftung ab. Dieses Produkt erfüllt die Anforderungen der EEC-Richtlinien.

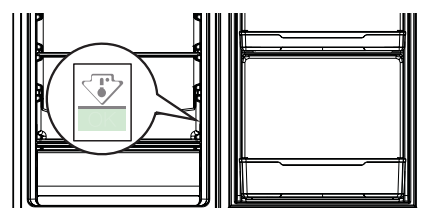
Erstinbetriebnahme

Schließen Sie das Gerät an eine geeignete Netzsteckdose an. Die idealen Aufbewahrungstemperaturen (mittel) sind bereits werkseitig eingestellt.

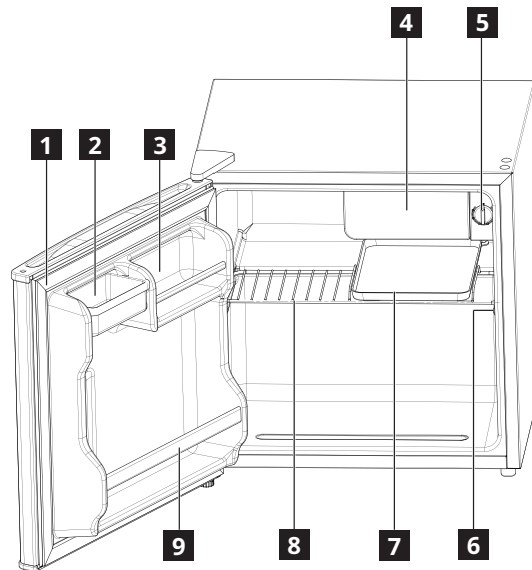
Hinweis: Nach dem Einschalten benötigt das Gerät vier bis fünf Stunden, um die richtige Temperatur für die Aufbewahrung einer typischen Menge an Lebensmitteln zu erreichen.

Wichtig!

Gemäß den Vorschriften einiger Länder muss das Gerät mit einer speziellen Vorrichtung versehen sein, die im unteren Kühlteil des Geräts angebracht wird, um die kälteste Zone des Geräts anzuzeigen.



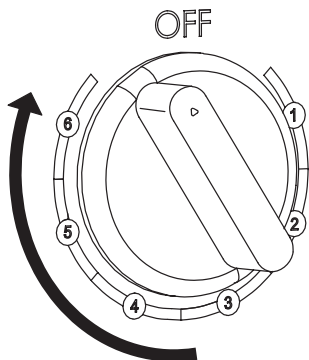
Produktbeschreibung



- 1** Türdichtung
- 2** Aufbewahrungsbox
- 3** Dosenhalter
- 4** Kaltlagerfach

- 5** Temperaturregler
- 6** Typenschild
- 7** Abtauschale
- 8** Regal
- 9** Flaschenhalter

Bedienung



Einschalten

Schließen Sie den Netzstecker an eine geeignete Netzsteckdose an und stellen Sie die Temperatur ein. Das Gerät schaltet sich daraufhin automatisch ein und nimmt den Betrieb auf.

Einstellen der Temperatur

Die Temperatur wird automatisch geregelt. Führen Sie zum Einstellen der Temperatur die nachstehend aufgeführten Schritte aus:

- Drehen Sie den Temperaturregler in die Richtung einer niedrigeren Einstellung, um die Temperatur im Inneren des Geräts zu erhöhen.
- Drehen Sie den Temperaturregler in die Richtung einer höheren Einstellung, um die Temperatur im Inneren des Geräts zu senken.

i Eine mittlere Einstellung ist für gewöhnlich empfehlenswert.

Passen Sie die Temperatureinstellung an, aber bedenken Sie, dass die Temperatur im Inneren des Geräts von folgenden Faktoren abhängt:

- Raumtemperatur
- wie oft die Tür geöffnet wird
- die Menge gelagerter Lebensmittel
- Standort des Gerätes.

Wichtig! Wenn die Raumtemperatur zu hoch oder das Gerät voll und die niedrigste Temperatur eingestellt ist, kann es vorkommen, dass sich ständig Eis an der hinteren Wand bildet. In diesem Fall muss eine höhere Temperatur eingestellt werden, um ein automatisches Abtauen und damit einen geringeren Energieverbrauch zu ermöglichen.

Tipps:

- Je niedriger die von Ihnen eingestellte Temperatur ist, desto länger können Sie Ihre Lebensmittel sicher aufbewahren und desto mehr Strom verbraucht das Gerät.
- Je höher die von Ihnen eingestellte Temperatur ist, desto schneller verderben die gelagerten Lebensmittel und desto weniger Strom verbraucht das Gerät.

Ausschalten

Möchten Sie das Gerät ausschalten, bringen Sie den Temperaturregler in die Stellung „OFF“ und trennen Sie den Netzstecker von der Netzsteckdose.

Tägliche Verwendung

Hinweise zum Einlagern von frischen Lebensmitteln

- Decken Sie die Lebensmittel ab oder wickeln Sie sie ein, insbesondere wenn sie ein starkes Aroma haben.
- Platzieren Sie die Lebensmittel so, dass die Luft frei zirkulieren kann.
- Lassen Sie für eine optimale Leistung ausreichend Platz für die Luftzirkulation im Kühlabteil. Lassen Sie auch genügend Platz nach vorne, damit sich die Tür fest schließen lässt.
- Lagern Sie keine warmen Lebensmittel oder verdampfende Flüssigkeiten im Kühlschrank.
- Gekochte Lebensmittel und kalte Speisen: Abdecken und auf einen beliebigen Einlegeboden stellen.
- Obst und Gemüse: Gründlich reinigen und in eine Gemüseschublade legen. Bananen, Kartoffeln, Zwiebeln und Knoblauch dürfen nicht im Kühlschrank aufbewahrt werden, wenn sie nicht verpackt sind.
- Butter und Käse: In speziellen luftdichten Behältern geben, in Alufolie einwickeln oder in einen Kunststoffbeutel geben, um so viel Luft wie möglich auszuschließen.
- Flaschen: Mit den Deckeln verschließen und in die Abstellfächer der Tür stellen.

Tipps zum Energiesparen

- Stellen Sie das Gerät in einem trockenen, gut belüfteten Raum fern von Wärmequellen (wie Heizkörper und Herd) und an einem Ort auf, an dem das Gerät vor direkter Sonneneinstrahlung geschützt ist. Verwenden Sie bei Bedarf eine Isolierplatte.

- Um eine ausreichende Belüftung zu gewährleisten, befolgen Sie die Anweisungen bezüglich der ordnungsgemäßen Aufstellung.
- Eine unzureichende Belüftung auf der Geräterückseite erhöht den Energieverbrauch und verringert die Kühlleistung.
- Die Temperaturen im Inneren des Geräts hängen von verschiedenen Faktoren wie die Umgebungstemperatur, die Häufigkeit, mit der die Tür geöffnet wird, und dem Aufstellungsort des Geräts ab. Berücksichtigen Sie diese Faktoren bei der Einstellung der gewünschten Temperatur.
- Lassen Sie warme Speisen und Getränke abkühlen, bevor Sie sie in dem Gerät aufbewahren.
- Blockieren Sie den Lüfter (wenn vorhanden) nicht mit Lebensmitteln.
- Achten Sie nach dem Einlegen oder Entnehmen von Lebensmitteln darauf, dass Sie die Tür richtig schließen, insbesondere die Gefrierfachtür.
- Öffnen Sie die Gerätetür nur so oft wie wirklich notwendig.
- Um Gefriergut aufzutauen, legen/stellen Sie es in das Kühlfach. Die niedrige Temperatur des Gefrierguts kühlt die Lebensmittel im Kühlschrank.
- Die Anordnung der Ablagen im Kühlschrank hat keinen Einfluss auf die effiziente Nutzung der Energie. Stellen/Legen Sie die Lebensmittel so auf die Ablagen (die Lebensmittel berühren sich nicht, der Abstand zwischen den Lebensmitteln und der Rückwand wird eingehalten), dass eine gute Luftzirkulation gewährleistet ist.
- Ersetzen Sie beschädigte Dichtungen zeitnah durch neue.

Reinigung und Wartung

Allgemeine Tipps

- Reinigen Sie das Gerät regelmäßig mit einem Tuch und einer Lösung aus warmem Wasser und einem neutralen Reinigungsmittel, das speziell für den Innenraum von Kühlschränken entwickelt wurde. Sehen Sie von der Verwendung scheuernder Reinigungsmittel oder Werkzeuge unbedingt ab.
- Ziehen Sie vor der Ausführung von Wartungs- oder Reinigungsarbeiten am oder im Gerät den Netzstecker aus der Netzsteckdose bzw. unterbrechen Sie die Stromversorgung.

VORSICHT! Die Zubehörteile des Kühlschranks dürfen nicht in die Spülmaschine gegeben werden.

Abtauen des Innenraums

- Tauen Sie den Innenraum des Geräts ab, sobald sich eine drei bis vier Millimeter dicke Eisschicht auf der Oberfläche des Verdampfers gebildet hat.

- Nehmen Sie vor dem Abtauvorgang sämtliche der sich darin befindlichen Lebensmittel heraus und schalten Sie das Gerät aus. Positionieren Sie die Abtauschale unter dem Verdampfer, um das Schmelzwasser aufzufangen.
- Gießen Sie nach Abschluss des Abtauvorgangs das Schmelzwasser weg, trocknen Sie den Innenraum des Geräts mit einem trockenen Tuch ab und nehmen Sie das Gerät wieder in Betrieb.

Auszuführende Schritte bei längerem Nichtgebrauch des Geräts

1. Schalten Sie das Gerät aus.
2. Trennen Sie das Gerät von der Netzstromversorgung.
3. Entfernen Sie alle Lebensmittel.
4. Lassen Sie das Gerät abtauen und unterziehen Sie es einer gründlichen Reinigung.

5. Die Türen lassen Sie einen Spalt geöffnet, damit die Luft im Inneren des Geräts zirkulieren kann. Dadurch wird einer Bildung von Schimmel und unangenehmen Gerüchen vorgebeugt.

Bei einem Stromausfall

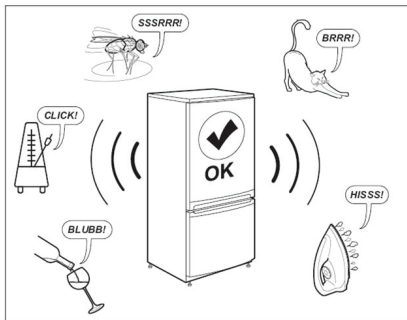
- Halten Sie die Türen des Geräts geschlossen. Dadurch bleiben die Lebensmittel so lange wie möglich gekühlt.

Problembeseitigung

Störung	Mögliche Ursache	Abhilfe
Das Gerät arbeitet nicht.	Das Gerät ist ausgeschaltet.	Schalten Sie das Gerät ein.
	Der Netzstecker steckt nicht richtig in der Steckdose.	Stecken Sie den Netzstecker richtig in die Steckdose.
	Die Steckdose liefert keinen Strom.	Um zu prüfen, ob die Steckdose funktioniert, schließen Sie ein anderes Elektrogerät daran an. Wenden Sie sich an einen qualifizierten Elektriker, um die Steckdose zu reparieren.
Das Gerät macht Geräusche.	Das Gerät steht nicht stabil aufgestellt.	Richten Sie das Gerät aus. Weitere Informationen dazu finden Sie im Abschnitt „Nivellieren des Produkts“ oder in der separaten Montageanleitung.
Der Kompressor läuft ununterbrochen.	Die eingestellte Temperatur ist zu niedrig.	Stellen Sie eine höhere Temperatur ein. Weitere Informationen dazu finden Sie im Abschnitt „Bedienung“.
	Es wurden viele Lebensmittel zur gleichen Zeit eingebracht.	Warten Sie einige Stunden und kontrollieren Sie die Temperatur erneut.
	Die Raumtemperatur ist zu hoch.	Positionieren Sie das Gerät möglichst neu. Weitere Informationen dazu finden Sie im Abschnitt „Aufstellung“.
	Die im Gerät aufbewahrten Lebensmittel waren zu warm.	Lassen Sie Lebensmittel auf Raumtemperatur abkühlen, bevor Sie sie einlagern.
	Die Tür schließt nicht richtig.	Siehe „Tür schließen“.
Die Temperatur im Gerät ist zu niedrig/zu hoch.	Die Temperatur wurde nicht korrekt eingestellt.	Stellen Sie eine höhere/niedrigere Temperatur ein.
	Die Tür schließt nicht richtig.	Siehe „Tür schließen“.
	Die im Gerät aufbewahrten Lebensmittel waren zu warm.	Lassen Sie Lebensmittel auf Raumtemperatur abkühlen, bevor Sie sie einlagern.
	Es wurden viele Lebensmittel zur gleichen Zeit eingebracht.	Lagern Sie weniger Lebensmittel gleichzeitig ein.
	Die Eisschicht ist mehr als vier bis fünf Millimeter dick.	Tauen Sie das Gerät ab.
	Die Tür wurde zu häufig geöffnet.	Öffnen Sie die Tür nur bei Bedarf.
	Die Kaltluftzirkulation im Gerät ist nicht ausreichend.	Legen Sie die Lebensmittel so ein, dass die Luft im Gerät frei zirkulieren kann.
Die Tür lässt sich nicht vollständig schließen.	Siehe „Tür schließen“.	Siehe „Tür schließen“.

Normale Geräusche

Es ist normal, dass das Kühlsystem während des Betriebs Geräusche wie Glucksen und Zischen verursacht.



Tür schließen

Wenn	Machen Sie
Die Türdichtungen sind schmutzig.	Reinigen Sie sie.
Die Türdichtungen sind beschädigt.	Wenden Sie sich an den Kundendienst, um sie auszutauschen.
Die Tür ist durch Regale, Schubfächer, Lebensmittel usw. blockiert.	Positionieren Sie die die Tür blockierenden Objekte richtig oder entfernen Sie sie.
Das Gerät ist nicht eben aufgestellt.	Richten Sie das Gerät aus. Weitere Informationen dazu finden Sie im Abschnitt „Nivellieren des Produkts“ oder in der separaten Montageanleitung.
Die Tür ist nicht auf den Korpus ausgerichtet.	Justieren Sie die Tür. Siehe separate Montageanleitung.

Führen Sie vor der Kontaktaufnahme mit dem Kundendienst zunächst einmal die nachstehend aufgeführten Schritte aus:

Um zu testen, ob der Fehler behoben wurde, starten Sie das Gerät neu. Sollte der Fehler weiterhin bestehen, schalten Sie das Gerät aus und nach ca. einer Stunde wieder ein.

Wenn Ihr Gerät nach Abarbeitung der unter „Fehlerbehebung“ angegebenen Punkte und dem darauf folgenden wiederholten Einschalten immer noch nicht ordnungsgemäß funktionieren sollte, wenden Sie sich an ein Kundendienstzentrum, dem Sie neben einer Beschreibung des Problems die folgenden Angaben mitteilen:

- die Art des Problems;
- das Datum des Kaufs;
- das Modell und die Seriennummer des Geräts.

i Die Artikelnummer und die Seriennummer sind auf dem sich rechts im Innenraum des Geräts befindlichen Typenschild angegeben.

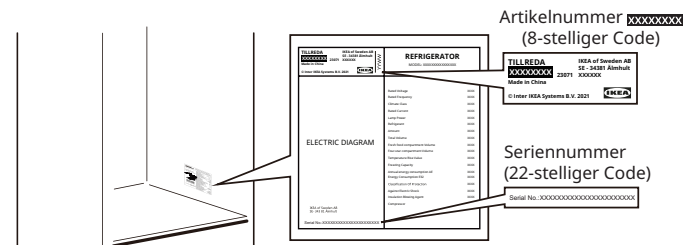


Abbildung dient nur als Referenz


Technische Daten

Produktkategorie	
Produkttyp	Kühl-Gefrierkombination
Art der Aufstellung	Freistehend
Abmessungen	
Höhe	492 mm
Breite	472 mm
Tiefe	450 mm
Nettovolumen	
Kühlschrank	43,0 L
Abtausystem	
Kühlschrank	Manuell
Weitere Spezifikationen	
Sternebewertung	-
Zeit bis zum Anstieg der Temperatur	-
Energieverbrauch	80 kWh/Jahr
Geräuschpegel	41 dB(A)
Energieeffizienzklasse	E
Nennspannung	220 - 240 V~
Nennfrequenz	50 Hz
Energieeffizienzklasse des Leuchtmittels	-

Hinweis: In der Produktdatenbank aufgeführte Informationen zum Produkt können Sie durch Scannen des sich auf dem EPREL-Etikett befindlichen QR-Codes abrufen.

Hinweise zum Umweltschutz


1. Verpackungsmaterialien

Recyclbare Materialien sind mit dem Symbol  gekennzeichnet.

Geben Sie die Verpackungsmaterialien zur Wiederverwertung in die entsprechenden Container. Bewahren Sie Verpackungsmaterial (wie Kunststoffbeutel und Styroporsteile) außerhalb der Reichweite von Kindern auf, weil diese für Kinder eine potenzielle Gefahrenquelle darstellen.

2. Verschrottung/Entsorgung

Das Gerät wurde unter Benutzung von wiederverwertbaren Materialien hergestellt. Dieses Gerät steht in Einklang mit der europäischen Richtlinie 2002/96/EU zur Entsorgung elektrischer und elektronischer Altgeräte (WEEE-Richtlinie). Durch die ordnungsgemäße Entsorgung dieses Geräts tragen Sie dazu bei, potenziell negative Auswirkungen auf die Umwelt und die menschliche Gesundheit zu vermeiden.

Das Symbol  auf dem Gerät oder den beiliegenden


Dokumentationen weist Sie darauf hin, dass dieses Gerät nicht über den gewöhnlichen Hausmüll, sondern

über eine speziell hierfür bestimmte Sammelstelle für das Recycling von elektrischen und elektronischen Altgeräten entsorgt werden muss. Für die Verschrottung des Geräts machen Sie es unbrauchbar, indem Sie das Netzkabel abtrennen und sowohl die Türen abnehmen als auch Ablagen entfernen, damit Kinder nicht ungehindert hineinklettern und darin eingeschlossen werden können.

Das Gerät muss unter Einhaltung der örtlichen Vorschriften zur Abfallentsorgung verschrottet werden. Bringen Sie es hierzu zu einer speziell für die Altgeräteentsorgung bestimmte Sammelstelle. Lassen Sie das zu entsorgende/verschrottende Gerät niemals unbeaufsichtigt, weil es eine potenzielle Gefahrenquelle für Kinder darstellt.

Weitere Informationen zur Behandlung, Wiederverwertung und Recycling dieses Geräts erhalten Sie bei Ihrer zuständigen örtlichen Behörde, dem Müllentsorgungsunternehmen Ihrer Stadt oder in dem Geschäft, in dem Sie das Gerät gekauft haben.

Konformitätserklärung

- Dieses Gerät ist für die Konservierung von Lebensmitteln konzipiert und wird in Übereinstimmung mit der Verordnung 1935/2004/EG gefertigt.
-  Dieses Gerät wurde in Übereinstimmung mit den folgenden Richtlinien entwickelt, hergestellt und verkauft:
 - Sicherheitsziele der „Niederspannungsrichtlinie“ 2014/35/EU (diese Richtlinie ersetzt die Richtlinie 2006/95/EG und nachfolgende Änderungen);

- Schutzanforderungen der „EMV-Richtlinie“ 2014/30/EU.
- Dieses Gerät wurde in Übereinstimmung mit den folgenden Richtlinien entwickelt, hergestellt und verkauft:
 - Gesetz über die elektromagnetische Verträglichkeit von Betriebsmitteln 2016
 - Verordnung zum Produktsicherheitsgesetz (Verordnung über elektrische Betriebsmittel) 2016

**UK
CA**

IKEA-Garantie

Wie lange ist die IKEA-Garantie gültig?

Sofern gemäß den nationalen Gesetzen und Rechtsvorschriften nicht anderes vorgesehen ist, gilt die Garantie für **2 Jahre** ab dem ursprünglichen Kaufdatum Ihres Geräts bei IKEA. In Norwegen, Portugal und Spanien gilt die Garantie unter der Voraussetzung, dass die nationalen Gesetze und Rechtsvorschriften nichts anderes vorsehen, über einen Zeitraum von 3 Jahren ab dem Datum der Auslieferung an den Kunden. Als Kaufnachweis ist das Original des Einkaufsbelegs erforderlich. Werden im Rahmen der Garantie Arbeiten ausgeführt, verlängert sich dadurch nicht die Garantiezeit für das Gerät.

Wer übernimmt den Kundendienst?

Der IKEA-Kundendienstpartner stellt den Kundendienst über seinen eigenen Betrieb oder ein autorisiertes Kundendienstpartnernetzwerk zur Verfügung.

Was deckt diese Garantie ab?

Die Garantie deckt Gerätefehler, die aufgrund einer fehlerhaften Konstruktion oder aufgrund von Materialfehlern nach dem Datum des Einkaufs bei IKEA entstanden sind. Die Garantie gilt nur für den Hausgebrauch des entsprechenden Geräts. Ausnahmen sind unter der Überschrift „Was deckt diese Garantie nicht ab?“ erläutert. Innerhalb der Garantiezeit werden die Kosten für Reparatur, Ersatzteile, Arbeits- und Reisekosten übernommen, vorausgesetzt, das Gerät ist ohne besonderen Aufwand für eine Reparatur zugänglich. Auf diese Bedingungen sind die EU-Richtlinien 99/44/EG sowie die jeweilig geltenden örtlichen Vorschriften anzuwenden. Ersetzte Teile gehen in das Eigentum von IKEA über.

Was unternimmt IKEA, um das Problem zu beheben?

Der von IKEA beauftragte Kundendienstpartner prüft das Produkt und entscheidet nach eigenem Ermessen, ob es unter diese Garantie fällt. Wenn es als unter diese Garantie fallend erachtet wird, wird der IKEA-Kundendienstpartner oder sein autorisierter Kundendienstpartner durch seinen eigenen

Kundendienstbetrieb das defekte Produkt nach eigenem Ermessen entweder reparieren oder durch dasselbe oder ein vergleichbares Produkt ersetzen.

Was deckt diese Garantie nicht ab?

- Normalen Verschleiß.
- Vorsätzliche oder fahrlässig herbeigeführte Schäden, Beschädigungen infolge Missachtung der Bedienungsanleitung, unsachgemäße Installation, falschen Spannungsanschlusses, Beschädigung durch chemische oder elektrochemische Reaktionen, Rost, Korrosion oder Wasserschäden, einschließlich, aber nicht beschränkt auf, Schäden durch ungewöhnlich hohen Kalkgehalt im Wasser, Beschädigungen durch außergewöhnliche Umweltbedingungen.
- Verbrauchs- und Verschleißteile wie Batterien und Lampen.
- Nichtfunktionelle und dekorative Teile, die den normalen Gebrauch des Gerätes nicht beeinflussen, sowie Kratzer und mögliche Farbabweichungen.
- Zufallsschäden durch Fremdkörper, Substanzen oder Reinigungsarbeiten an Filtern, Abflüssen oder Wasch-/Spülmittelfächern.
- Schäden an folgenden Teilen: Glaskeramik, Zubehör, Geschirr- und Besteckkörbe, Zu- und Ablaufschläuche, Dichtungen, Glühlampen und deren Abdeckungen, Siebe, Knöpfe, Gehäuse und Gehäuseteile. Soweit nicht nachgewiesen wird, dass solche Schäden auf Herstellungsmängel zurückzuführen sind.
- Fälle, in denen beim Besuch eines Technikers kein Fehler gefunden werden konnte.
- Reparaturen, die nicht von unserem eigenen Kundendienst oder einem autorisierten Kundendienstpartner ausgeführt wurden oder bei denen keine Originalteile verwendet wurden.
- Durch fehlerhafte oder unvorschriftsmäßige Installation erforderliche Reparaturen.
- Die Verwendung des Geräts in einer nicht-häuslichen Umgebung, d. h. die gewerbliche Nutzung des Geräts.

- Transportschäden. Wenn der Kunde das Produkt selber nach Hause oder zu einer anderen Adresse transportiert, ist IKEA von der Haftung für Transportschäden jeder Art freigestellt. Liefert IKEA das Produkt direkt an die Lieferanschrift des Kunden, werden während dieser Lieferung eventuell aufgetretene Schäden durch IKEA abgedeckt.
- Kosten für die Erstinstallation des IKEA-Geräts. Wenn jedoch der IKEA-Kundendienst oder ein Servicevertragspartner im Rahmen der Garantie Reparaturen ausführt oder das Gerät ersetzt, installiert der Kundendienst oder der Servicevertragspartner das ausgebesserte Gerät erneut oder das Ersatzgerät, falls dies erforderlich sein sollte.

Diese Einschränkungen gelten nicht für fehlerfreie Arbeiten, die von einem qualifizierten Fachmann unter Verwendung unserer Originalersatzteile durchgeführt werden, um das Gerät an die technischen Sicherheitsvorschriften eines anderen EU-Landes anzupassen.

Gültigkeit der länderspezifischen Bestimmungen

IKEA räumt Ihnen eine spezielle Garantie ein, die die gesetzlichen Gewährleistungsrechte, die von Land zu Land unterschiedlich sein können, mindestens abdeckt oder eventuell übererfüllt. Allerdings schränken diese Bedingungen in keiner Weise die landesweit geltenden Verbraucherrechte ein.

Gültigkeitsbereich

Für Geräte, die in einem EU-Land gekauft und in ein anderes Land mitgenommen werden, wird der Kundendienst gemäß der Garantierichtlinien im neuen Land übernommen.

Eine Verpflichtung zur Durchführung von Leistungen im Rahmen der Garantie besteht nur dann, wenn das Gerät in Übereinstimmung mit und gemäß den folgenden Bedingungen installiert wurde:

- den technischen Spezifikationen des Landes, in dem der Garantieanspruch erfolgt;
- der Montageanleitung und den Sicherheitshinweisen im Benutzerhandbuch.

Spezieller Kundendienst für IKEA-Geräte

Ihr IKEA-Kundendienstteam hilft Ihnen gern weiter, wenn Sie sich mit ihm in Kontakt setzen, um:

- eine Reparaturanfrage gemäß dieser Garantie zu stellen;
- Unklarheiten beim Einbau des IKEA-Geräts in einem speziellen IKEA-Küchenmöbel zu beseitigen.
- Bei Fragen zu den Funktionen eines IKEA-Gerätes.

Um Ihnen möglichst schnell und kompetent weiterhelfen zu können, bitten wir Sie, vorher die Montage- und Gebrauchsanweisung Ihres Gerätes genauestens durchzulesen.

So erreichen Sie unseren Kundendienst



Die Telefonnummern der von IKEA benannten Kundendienstzentren finden Sie am Ende dieser Bedienungsanleitung.

- ❗ **Damit unser Kundendienst Ihnen schneller mit Rat und Tat zur Seite steht, empfehlen wir Ihnen, die am Ende dieser Bedienungsanleitung aufgeführten spezifischen Rufnummern zu verwenden. Greifen Sie stets auf die Nummern zurück, die in der Bedienungsanleitung des jeweiligen Geräts aufgeführt sind, für das Sie Hilfe benötigen. Denken Sie bitte daran, die 8-stellige Artikelnummer und die 22-stellige Seriennummer anzugeben, die sich auf dem Typenschild Ihres Geräts befinden.**

- ❗ **BEWAHREN SIE DEN KAUFBELEG AUF!** Dieser dient als Kaufnachweis und ist für Garantiefälle erforderlich. Der Kaufbeleg zeigt ebenfalls den IKEA-Namen und die Artikelnummer (8-stelliger Code) für jedes von Ihnen erworbene Gerät an.

Benötigen Sie weiteren Rat und Unterstützung?

Bei allen anderen, nicht kundenspezifischen Fragen bitten wir Sie, sich an den Kundenservice im nächstgelegenen IKEA-Einrichtungshaus zu wenden. Wir empfehlen Ihnen, sich vor einer Kontaktaufnahme mit uns die dem Gerät beiliegenden Dokumentationen gut durchzulesen.

Hinweise zu den Ersatzteilen

- Die folgenden Ersatzteile sind für einen Zeitraum von mindestens sieben Jahren nach dem Inverkehrbringen des letzten Geräts des jeweiligen Modells für professionelle Reparaturbetriebe verfügbar: Thermostate, Temperatursensoren, Leiterplatten und Leuchtmittel.
- Die folgenden Ersatzteile sind für einen Zeitraum von mindestens sieben Jahren nach dem Inverkehrbringen des letzten Geräts des jeweiligen Modells für professionelle Reparaturbetriebe verfügbar: Türgriffe, Türscharniere, Ablagen und Schubladen. Türdichtungen sind mindestens zehn Jahre nach dem Inverkehrbringen des letzten Geräts des jeweiligen Modells erhältlich.

Die Ersatzteile können unter www.ikea.com gefunden werden.

Sommaire

Informations de sécurité.....	30	Utilisation quotidienne.....	36
Consignes de sécurité	31	Nettoyage et entretien.....	36
Installation	33	Dépannage	37
Première utilisation	34	Données techniques.....	39
Description de l'appareil	35	Protection de l'environnement.....	39
Fonctionnement.....	35	Garantie IKEA.....	40

Informations de sécurité

Avant l'installation et l'utilisation de cet appareil, lisez attentivement les instructions fournies. La responsabilité du fabricant ne saurait être engagée en cas de blessures ou de dommages résultant d'une mauvaise installation ou utilisation. Conservez toujours les instructions avec l'appareil pour pouvoir les consulter ultérieurement.

Sécurité des enfants et des personnes vulnérables



AVERTISSEMENT :

Risque d'incendie/Matériaux inflammables

- Cet appareil peut être utilisé par les enfants âgés de 8 ans et plus et les personnes aux capacités physiques, sensorielles ou mentales réduites ou ne disposant pas de l'expérience ou de la connaissance nécessaire, s'ils sont sous surveillance ou ont reçu les instructions nécessaires concernant l'utilisation de l'appareil et s'ils en comprennent les dangers. Veillez à ce que les enfants ne jouent pas avec l'appareil. Les opérations de nettoyage et d'entretien ne doivent pas être effectuées par des enfants sans surveillance. Les enfants doivent être surveillés afin qu'ils ne puissent pas jouer avec cet appareil.
- Cet appareil peut être utilisé par les enfants de 3 à 8 ans et les personnes souffrant de handicaps très étendus et complexes s'ils ont été correctement instruits.

- Les enfants de moins de 3 ans doivent être tenus à l'écart, sauf s'ils sont surveillés en permanence.
- Ne laissez pas les enfants jouer avec l'appareil.
- Les enfants ne doivent pas effectuer le nettoyage et l'entretien de l'appareil sans surveillance.
- Les enfants âgés de 3 à 8 ans sont autorisés à charger et à décharger les appareils de réfrigération.
- Gardez tous les emballages hors de portée des enfants et éliminez-les de manière appropriée.

Sécurité générale

- Cet appareil est conçu pour une utilisation domestique ou autre utilisation similaire telle que :
 - les cuisines du personnel dans les magasins, les bureaux et autres environnements de travail ;
 - les fermes et les clients dans un hôtel, un motel ou dans d'autres environnements de type résidentiel ;
 - les chambres d'hôtes.
 - applications de restauration et applications similaires non commerciales.
- **AVERTISSEMENT :** Une fois encastré ou installé, maintenez les ouvertures de ventilation de l'appareil dégagées de toute obstruction.
- **AVERTISSEMENT :** N'utilisez pas d'appareils mécaniques ou d'autres moyens pour accélérer le processus de dégivrage, sauf ceux recommandés par le fabricant.

- **AVERTISSEMENT** : N'endommagez pas le circuit frigorifique.
- **AVERTISSEMENT** : N'utilisez pas d'appareils électriques à l'intérieur du compartiment de conservation des aliments de l'appareil, sauf s'ils sont du type recommandé par le fabricant.
- **AVERTISSEMENT** : N'utilisez pas de jet d'eau ni de vapeur pour nettoyer l'appareil.
- **AVERTISSEMENT** : Nettoyez l'appareil avec un chiffon doux et humide. N'utilisez que des détergents neutres. N'utilisez pas de produits abrasifs, de tampons abrasifs, de solvants ou d'objets métalliques.
- **AVERTISSEMENT** : Ne conservez pas dans cet appareil de substances explosives telles que des bombes aérosols contenant un gaz propulseur inflammable.
- **AVERTISSEMENT** : Pour éviter tout risque de danger, faites remplacer le cordon d'alimentation endommagé par le fabricant, un agent de son service ou une personne qualifiée.
- **AVERTISSEMENT** : Lorsque vous positionnez l'appareil, assurez-vous que le cordon d'alimentation n'est pas coincé ou endommagé.
- **AVERTISSEMENT** : Ne placez pas plusieurs prises de courant portables ou blocs d'alimentation portables à l'arrière de l'appareil.
- L'ouverture de la porte pendant de longues périodes peut provoquer une augmentation importante de la température dans les compartiments de l'appareil.
- Nettoyez régulièrement les surfaces susceptibles d'entrer en contact avec les aliments et les systèmes de vidange accessibles.
- Nettoyez les réservoirs d'eau s'ils n'ont pas été utilisés pendant 48 heures ; rincez la conduite reliée au système de distribution d'eau si l'eau n'a pas été puisée pendant 5 jours.
- Conservez la viande et le poisson crus dans des récipients appropriés au réfrigérateur, de manière à ce qu'ils ne soient pas en contact avec d'autres aliments et ne coulent pas sur eux.
- Si l'appareil de réfrigération est laissé vide pendant de longues périodes, éteignez, dégivrez, nettoyez, séchez et laissez la porte ouverte pour éviter le développement de moisissures dans l'appareil.
- Cet appareil de réfrigération n'est pas adapté à la congélation des aliments.
- Cet appareil de réfrigération n'est pas destiné à être utilisé comme un appareil encastré.
- Les compartiments pour aliments surgelés à deux étoiles sont adaptés au stockage d'aliments précongelés, au stockage ou à la fabrication de glaces et à la fabrication de glaçons.
- Les compartiments à une, deux et trois étoiles ne sont pas adaptés à la congélation d'aliments frais.
- **AVERTISSEMENT** : Pour éviter tout danger dû à l'instabilité de l'appareil, celui-ci doit être fixé conformément aux instructions.

Consignes de sécurité

Installation

⚠ AVERTISSEMENT ! Seule une personne qualifiée peut installer cet appareil.

- Enlevez tous les emballages.
- N'installez pas et n'utilisez pas un appareil endommagé.
- Suivez les instructions d'installation fournies avec l'appareil.
- Faites toujours preuve de prudence lorsque vous déplacez l'appareil, car celui-ci est lourd. Portez toujours des gants de sécurité et des chaussures fermées.
- Veillez à ne pas endommager le sol (par exemple le parquet) lorsque vous déplacez l'appareil.
- Assurez-vous que l'appareil ne se trouve pas à proximité d'une source de chaleur.
- Installez et mettez l'appareil de niveau sur un sol suffisamment solide pour supporter son poids et dans un endroit adapté à sa taille et à son utilisation.
- Assurez-vous que l'air peut circuler autour de l'appareil.
- Lors de la première installation ou après avoir inversé la porte, attendez au moins 4 heures avant de brancher l'appareil à l'alimentation électrique. Cela permettra à l'huile de circuler de nouveau dans le compresseur.

- Avant d'effectuer toute opération sur l'appareil (par exemple, inverser la porte), retirez la fiche de la prise de courant.
- L'arrière de l'appareil doit se trouver contre le mur.
- N'installez pas l'appareil à la lumière directe du soleil.
- N'installez pas cet appareil dans des endroits trop humides ou trop froids, tels que les caves à vin.

Connexion électrique

⚠ AVERTISSEMENT ! Risque d'électrocution et d'incendie.

⚠ AVERTISSEMENT ! Lorsque vous positionnez l'appareil, assurez-vous que le cordon d'alimentation n'est pas coincé ou endommagé.

⚠ AVERTISSEMENT ! N'utilisez pas d'adaptateurs multiprises ou de rallonges.

- L'appareil doit être connecté à la terre.
- Assurez-vous que les paramètres indiqués sur la plaque signalétique sont compatibles avec les caractéristiques électriques de l'alimentation secteur.
- Utilisez toujours une prise résistante aux chocs et correctement installée.
- Assurez-vous de ne pas endommager les composants électriques (par ex. : prise secteur, câble secteur, compresseur). Contactez un centre de service agréé ou un électricien pour changer les composants électriques.
- Le câble secteur doit rester en dessous du niveau de la prise secteur.
- Ne branchez l'appareil sur le secteur qu'une fois l'installation terminée. Assurez-vous de bien pouvoir accéder à la fiche secteur après l'installation.
- Ne tirez pas sur le câble secteur pour débrancher l'appareil. Débranchez-le toujours en saisissant la fiche secteur.
- Royaume-Uni et Irlande uniquement : Cet appareil est équipé d'une prise secteur de 13 A. S'il est nécessaire de changer le fusible de la prise secteur, utilisez uniquement un fusible ASTA (BS 1362) de 13 A.

Utilisation

⚠ AVERTISSEMENT ! Risque de blessures, de brûlures, de choc électrique ou d'incendie.



Les tubes du circuit de réfrigération contiennent une petite quantité de réfrigérant R600a, respectueux de l'environnement, mais inflammable. Il n'endommage pas la couche d'ozone et n'augmente pas l'effet de serre. Si du réfrigérant s'échappe, il peut blesser vos yeux ou s'enflammer. N'endommagez pas les tubes.

- La surface du compresseur peut devenir chaude dans le cadre d'une utilisation normale. Ne le touchez pas avec les mains.
- Ne modifiez pas les spécifications de cet appareil.
- Ne mettez pas d'appareils électriques (par ex. : sorbetières) dans l'appareil, sauf s'ils ont été expressément conçus à cette fin.
- Si des dégâts surviennent sur le circuit frigorifique, assurez-vous qu'il n'y a pas de flammes et de sources d'allumage dans la pièce. Aérez la pièce.
- Ne laissez pas d'objets chauds entrer en contact avec les éléments en plastique de l'appareil.
- Ne conservez pas de boissons en bouteille dans le compartiment congélateur afin d'éviter tout éclatement ou autre perte.
- Ne conservez pas de gaz ou liquides inflammables dans l'appareil.
- Ne mettez pas de produits inflammables ou d'objets imbibés de liquide inflammable dans, sur ou à proximité de l'appareil.
- Ne touchez pas le compresseur ou le condenseur. Ceux-ci sont chauds.
- Ne retirez pas et ne touchez pas aux articles du compartiment des aliments surgelés si vos mains sont humides ou mouillées.
- N'avalez pas le contenu (non toxique) des poches de glace.
- Ne mangez pas de glaçons ou de sucettes glacées immédiatement après les avoir sortis du congélateur, car ils peuvent provoquer des engelures.
- Les aliments décongelés ne doivent pas être remis dans le compartiment des aliments congelés.
- Suivez les instructions de stockage figurant sur l'emballage des produits alimentaires.

Éclairage intérieur

⚠ AVERTISSEMENT ! Risque d'électrocution.

- L'ampoule utilisée à l'intérieur de l'appareil est spécifiquement conçue pour les appareils domestiques et n'est pas adaptée à l'éclairage général des pièces de la maison ((EU) 2019/2020).

Entretien et nettoyage

⚠ AVERTISSEMENT ! Risque de blessures ou de dommages à l'appareil.

- Avant toute opération de maintenance, éteignez l'appareil et débranchez sa prise murale.
- L'unité de refroidissement de cet appareil contient des hydrocarbures. Seule une personne qualifiée peut effectuer la maintenance et la recharge de l'appareil.
- Examinez régulièrement le drain de l'appareil et nettoyez-le si nécessaire. Si le drain est obstrué, de l'eau de dégel s'accumulera en bas de l'appareil.

Entretien

- Pour faire réparer l'appareil, contactez un centre de service agréé indiqué à la fin de ce manuel.
- Utilisez uniquement des pièces de rechange d'origine.

Mise au rebut

⚠ AVERTISSEMENT ! Risque de blessures ou d'étouffement.

- Débranchez l'appareil de l'alimentation secteur.
- Coupez et jetez le cordon d'alimentation.
- Retirez la porte pour empêcher les enfants et les animaux domestiques de se retrouver enfermés dans l'appareil.

- Le circuit frigorifique et les matériaux d'isolation de cet appareil sont respectueux de la couche d'ozone.
- La mousse d'isolation contient du gaz inflammable. Contactez votre municipalité pour de plus amples informations sur la manière de mettre cet appareil au rebut dans le respect de l'environnement.
- Veillez à ne pas endommager la partie de l'unité de refroidissement située à proximité de l'échangeur de chaleur.

Le fabricant décline toute responsabilité en cas de blessure de personnes ou d'animaux ou de dommages matériels si les conseils et précautions ci-dessus ne sont pas respectés.

Installation

⚠ AVERTISSEMENT ! Avant d'installer l'appareil, lisez attentivement les informations relatives à la sécurité contenues dans ce livret.

Liste de vérification pour l'installation

Porte

- La porte scelle complètement l'armoire sur tous les côtés
- La porte est à niveau

Mise à niveau

- Le réfrigérateur est à plat

Alimentation électrique

- Attendre 4 heures
- Il y a de l'électricité dans la maison
- Le réfrigérateur est branché

Vérifications finales

- Les matériaux d'emballage ont été retirés
- La température du réfrigérateur est réglée

Positionnement

- Suivez les instructions de montage séparées pour installer cet appareil.
- Installez cet appareil dans un endroit où la température ambiante correspond à la classe climatique indiquée sur sa plaque signalétique. Cela permet d'assurer son bon fonctionnement. L'explication des classes de climat est la suivante :

Classe climatique	Plage de températures ambiantes
SN	de +10 °C à +32 °C
N	de +16 °C à +32 °C
ST	de +16 °C à +38 °C
T	de +16 °C à +43 °C

- « SN » indique que cet appareil de réfrigération est destiné à être utilisé à des températures ambiantes comprises entre 10 et 32 °C.

- « N » indique que cet appareil de réfrigération est destiné à être utilisé à des températures ambiantes comprises entre 16 et 32 °C.

- « ST » indique que cet appareil de réfrigération est destiné à être utilisé à des températures ambiantes comprises entre 16 et 38 °C.

- « T » indique que cet appareil de réfrigération est destiné à être utilisé à des températures ambiantes comprises entre 16 et 43 °C.

i Pour certains modèles d'appareils, des problèmes de fonctionnement peuvent survenir lorsqu'ils fonctionnent en dehors des plages de température spécifiées. Un bon fonctionnement ne peut être garanti que dans la plage de températures spécifiée.

Si vous avez des doutes concernant l'installation, veuillez vous adresser au vendeur, à notre service clientèle ou au centre de service agréé le plus proche.

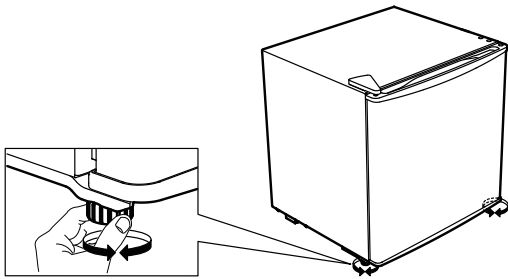
Emplacement

Pour garantir la meilleure performance, installez l'appareil à distance des sources de chaleur telles que les radiateurs, les chaudières et la lumière directe du soleil. Assurez-vous que l'air circule librement autour de l'arrière de l'enceinte.

Mettre à niveau l'appareil

Si l'appareil est penché d'une manière ou d'une autre, réglez les deux pieds à l'avant de l'appareil pour le mettre à niveau. Reportez-vous aux instructions de montage séparées pour des instructions détaillées.

1. Débranchez la fiche de l'appareil de la prise de courant.
2. Tournez le pied dans le sens des aiguilles d'une montre pour lever l'appareil. Tournez le pied dans le sens inverse des aiguilles d'une montre pour abaisser l'appareil.



Nettoyage de l'appareil

Avant d'utiliser l'appareil pour la première fois, nettoyez-le pour éliminer l'odeur typique d'un produit neuf.

1. Assurez-vous que l'appareil est débranché de l'alimentation.
2. Essuyez l'intérieur avec un chiffon doux et humide.
3. Lavez les accessoires internes avec de l'eau tiède et un peu de savon neutre, puis séchez-les soigneusement.

ATTENTION !

N'utilisez pas de produits de nettoyage ou de solvants abrasifs, chlorés ou acides.

- N'utilisez pas d'éponges à récurer ou abrasives. Les surfaces métalliques peuvent se corroder.
- Ne nettoyez jamais les accessoires au lave-vaisselle. Ils peuvent se déformer.

Connexion électrique

⚠ ATTENTION ! Tout travail électrique nécessaire à l'installation de cet appareil doit être effectué par un électricien qualifié ou une personne compétente.

⚠ AVERTISSEMENT ! Cet appareil doit être mis à la terre. Le non-respect de ces instructions peut entraîner la mort, un incendie ou un choc électrique.

Le fabricant décline toute responsabilité en cas de non-respect de ces mesures de sécurité. Cet appareil est conforme aux directives européennes.

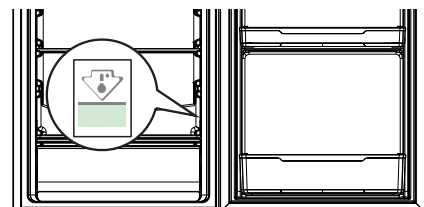
Première utilisation

Branchez l'appareil à l'alimentation électrique. Les températures idéales de conservation des aliments sont déjà réglées en usine (intermédiaires).

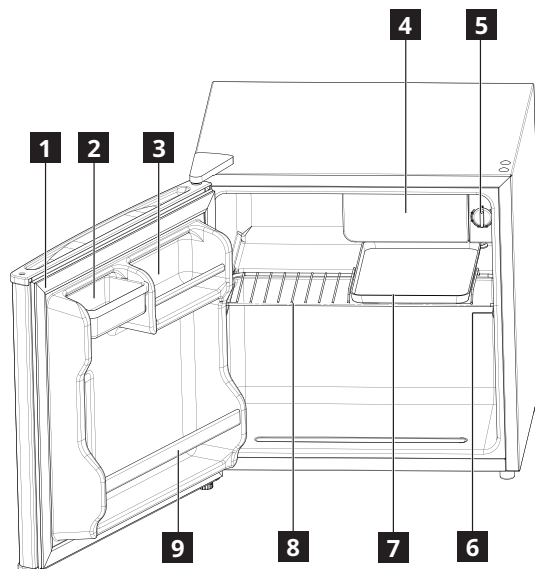
Remarque : Après avoir été mis en marche, l'appareil nécessite 4 à 5 heures pour atteindre la température adéquate pour conserver un volume typique d'aliments.

Important !

Conformément à la réglementation en vigueur dans certains pays, un dispositif spécial (voir la figure ci-dessous) doit être placé dans le compartiment inférieur du réfrigérateur pour indiquer la zone la plus froide de celui-ci.



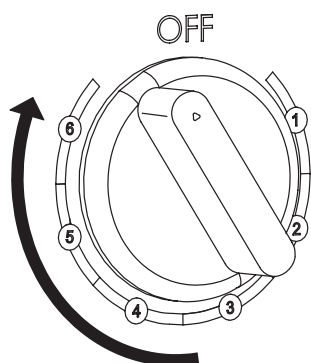
Description de l'appareil



- 1** Joint de porte
- 2** Boîte de rangement
- 3** Support de canettes
- 4** Compartiment de réfrigération

- 5** Régulateur de température
- 6** Plaque signalétique
- 7** Bac de dégivrage
- 8** Clayette
- 9** Support de bouteilles

Fonctionnement



Ajustez le réglage de la température en gardant à l'esprit que la température à l'intérieur de l'appareil dépend de :

- la température de la pièce
- la fréquence d'ouverture de la porte
- la quantité d'aliments stockés
- l'emplacement de l'appareil.

Important ! Si la température ambiante est élevée ou si l'appareil est complètement rempli et qu'il est réglé sur des températures plus froides, il peut fonctionner en continu et causer une formation de givre sur la paroi arrière. Dans ce cas, une température plus élevée doit être réglée pour permettre un dégivrage automatique et donc une consommation d'énergie réduite.

Conseils :

- Plus la température est basse, plus vous pouvez conserver vos aliments en toute sécurité et plus l'appareil consomme d'électricité.
- Plus la température est élevée, plus les aliments conservés se décomposent rapidement et moins l'appareil consomme d'électricité.

Arrêt

Pour éteindre l'appareil, tournez le bouton du régulateur de température vers la position « OFF », puis débranchez la fiche de la prise de courant.

Mise en marche

Branchez la fiche secteur sur une prise de courant et réglez la température. L'appareil s'allume et commence à fonctionner.

Réglage de la température

La température se régule automatiquement.

Pour régler la température :

- Tournez le régulateur de température vers un réglage plus bas pour diminuer le froid.
- Tournez le régulateur de température vers un réglage plus élevé pour augmenter le froid.

i Un réglage moyen est généralement le plus approprié.

Utilisation quotidienne

Conseils pour la réfrigération d'aliments frais

- Couvrez ou enveloppez les aliments, particulièrement s'ils ont une odeur forte.
- Positionnez la nourriture de manière à ce que l'air puisse circuler librement autour d'elle.
- Pour des performances optimales, laissez suffisamment d'espace dans le compartiment réfrigérateur afin que l'air puisse circuler autour des emballages. Laissez également suffisamment d'espace à l'avant afin que la porte puisse se fermer correctement.
- N'introduisez pas de nourriture chaude ou de liquides en évaporation dans le réfrigérateur.
- Aliments cuits et plats froids : couvrez-les et placez-les sur n'importe quelle clayette.
- Fruits et légumes : nettoyez-les bien et placez-les dans le bac à légumes. Les bananes, les pommes de terre, les oignons et l'ail ne doivent pas être conservés au réfrigérateur s'ils ne sont pas emballés.
- Beurre et fromage : placez-les dans un récipient hermétique spécial ou enveloppez-les dans une feuille d'aluminium ou un sachet en polyéthylène pour exclure autant d'air que possible.
- Bouteilles : bouchez-les et placez-les sur les balconnets.

Conseils en matière d'économie d'énergie

- Installez l'appareil dans une pièce sèche et bien ventilée, loin de toute source de chaleur (radiateur, cuisinière, etc.) et dans un endroit non exposé directement au soleil. Si nécessaire, utilisez une plaque isolante.

- Pour garantir une ventilation adéquate, suivre les instructions d'installation.
- Une ventilation insuffisante à l'arrière du produit augmente la consommation d'énergie et diminue l'efficacité du refroidissement.
- Les températures internes de l'appareil peuvent être influencées par la température ambiante, la fréquence d'ouverture de la porte et l'emplacement de l'appareil. Le réglage de la température doit tenir compte de ces facteurs.
- Laissez refroidir les aliments et les boissons chauds avant de les placer dans l'appareil.
- N'obstruez pas le ventilateur (s'il y en a un) avec des aliments.
- Après avoir placé ou retiré des aliments, veillez à bien fermer la porte, en particulier celle du congélateur.
- Limitez au maximum les ouvertures de porte.
- Lorsque vous décongelez des aliments surgelés, placez-les au réfrigérateur. La basse température des produits congelés refroidit les aliments dans le réfrigérateur.
- Le positionnement des clayettes dans le réfrigérateur n'a pas d'incidence sur l'efficacité de l'utilisation de l'énergie. Les aliments doivent être placés sur les clayettes de manière à assurer une bonne circulation de l'air (les aliments ne doivent pas se toucher et la distance entre les aliments et la paroi arrière doit être respectée).
- Les joints endommagés doivent être remplacés le plus rapidement possible.

Nettoyage et entretien

Conseils généraux

- Nettoyez régulièrement l'appareil à l'aide d'un chiffon et d'une solution d'eau chaude et de détergent neutre spécialement formulée pour les intérieurs de réfrigérateurs. N'utilisez pas de nettoyeurs ou d'outils abrasifs.
- Avant de procéder à l'entretien ou au nettoyage de l'appareil, débranchez-le ou coupez l'alimentation électrique.

ATTENTION ! Les accessoires du réfrigérateur ne doivent pas être placés dans un lave-vaisselle.

Dégivrage de l'appareil.

- Dégivrez l'appareil lorsque la couche de givre à la surface de l'évaporateur atteint une épaisseur de 3 à 4 mm.
- Avant de procéder à la décongélation, retirez tous les aliments et éteignez l'appareil. Placez le bac de dégivrage sous l'évaporateur pour recueillir l'eau dégelée.

- Après la fonte du givre, versez l'eau, séchez l'intérieur de l'appareil avec un chiffon sec et remettez l'appareil en marche.

Si vous n'utilisez pas l'appareil pendant une période prolongée

1. Éteignez l'appareil.
2. Débranchez l'appareil de l'alimentation.
3. enlevez tous les aliments ;
4. Dégivrez et nettoyez l'appareil.
5. Laissez les portes ouvertes juste assez pour permettre à l'air de circuler à l'intérieur des compartiments. Cela permet d'éviter la formation de moisissures et d'odeurs désagréables.

En cas de coupure de courant

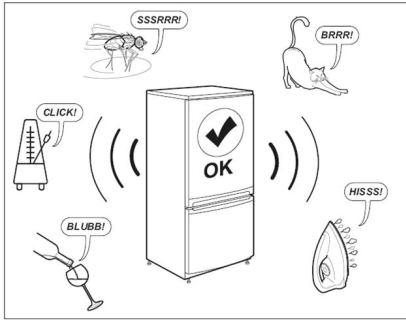
- Gardez les portes de l'appareil fermées. Cela permettra aux aliments de rester froids le plus longtemps possible.

Dépannage

Problème	Cause possible	Solution
L'appareil ne marche pas.	L'appareil est éteint.	Allumez l'appareil.
	La prise secteur n'est pas correctement branchée.	Branchez la prise directement sur le secteur.
	Il n'y a pas de tension dans la prise secteur.	Pour savoir si la prise de courant fonctionne, branchez-y un autre appareil électrique. Contactez un électricien qualifié pour réparer la prise.
L'appareil fait du bruit.	L'appareil n'est pas posé de manière stable.	Mettez l'appareil à niveau. Consultez la section « Mettre à niveau l'appareil » ou aux instructions de montage séparées.
Le compresseur fonctionne en continu.	La température réglée est trop basse.	Régalez une température plus élevée. Consultez la section « Fonctionnement ».
	De nombreux produits alimentaires ont été insérés en même temps.	Attendez quelques heures et vérifiez de nouveau la température.
	La température de la pièce est trop élevée.	Repositionnez l'appareil si possible. Consultez la section « Positionnement ».
	Les produits alimentaires placés dans l'appareil étaient trop chauds.	Laissez les aliments refroidir à température ambiante avant de les introduire dans l'appareil.
	La porte n'est pas fermée correctement.	Consultez la section « Fermer la porte ».
La température de l'appareil est trop basse/ trop élevée.	La température n'a pas été réglée correctement.	Régalez une température plus élevée/plus basse.
	La porte n'est pas fermée correctement.	Consultez la section « Fermer la porte ».
	Les produits alimentaires placés dans l'appareil étaient trop chauds.	Laissez les aliments refroidir à température ambiante avant de les introduire dans l'appareil.
	De nombreux produits alimentaires ont été insérés en même temps.	Insérez moins de produits alimentaires en même temps.
	L'épaisseur du givre est supérieure à 4 ou 5 mm.	Dégivrez l'appareil.
	La porte a été ouverte trop fréquemment.	Ouvrez la porte uniquement lorsque c'est nécessaire.
	Il n'y a pas suffisamment de circulation d'air froid dans l'appareil.	Repositionnez la nourriture de manière à ce que l'air puisse circuler librement dans l'appareil.
La porte ne se ferme pas complètement.	Consultez la section « Fermer la porte ».	Consultez la section « Fermer la porte ».

Bruits normaux

Il est normal que le système de réfrigération produise des bruits, tels que des gargouillis et des sifflements.



Fermer la porte

Si	Faire
Les joints de porte sont sales.	Nettoyez-les.
Les joints de porte sont endommagés.	Contactez le service après-vente pour les remplacer.
La porte est bloquée par des étagères, des tiroirs, des aliments, etc.	Positionnez correctement ou enlevez les objets qui bloquent la porte.
L'appareil n'est pas à niveau.	Mettez l'appareil à niveau. Consultez la section « Mettre à niveau l'appareil » ou aux instructions de montage séparées.
La porte n'est pas alignée avec l'armoire.	Ajustez la porte. Reportez-vous aux instructions de montage séparées.

Avant de contacter le service après-vente :

redémarrez l'appareil pour voir si le problème a été résolu. S'il persiste, éteignez à nouveau l'appareil et répétez l'opération au bout d'une heure.

Si votre appareil ne fonctionne toujours pas correctement après avoir effectué les contrôles énumérés dans le guide de dépannage et après avoir remis l'appareil en marche, contactez le service après-vente en expliquant clairement le problème et en le précisant :

- la nature du problème
- la date d'achat
- le modèle et le numéro de série de l'appareil

❶ Le numéro de référence et le numéro de série sont indiqués sur la plaque signalétique située sur le côté intérieur droit de l'appareil.

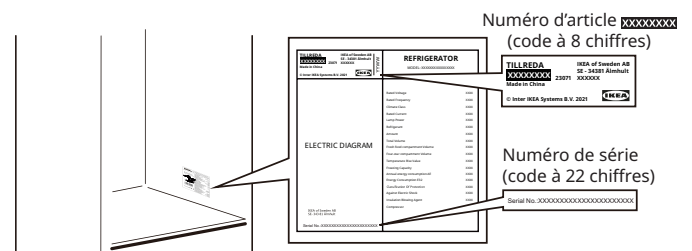


Illustration à titre de référence uniquement

Données techniques

Catégorie de produit	
Type de produit	Réfrigérateur
Type d'installation	Pose libre
Dimensions du produit	
Hauteur	492 mm
Largeur	472 mm
Profondeur	450 mm
Volume net	
Réfrigérateur	43,0 L
Système de dégivrage	
Réfrigérateur	Manuel
Autres spécifications	
Classement par étoiles	-
Durée de montée en température	-
Consommation énergétique	80 kWh/an
Niveau sonore	41 dB(A)
Catégorie énergétique	E
Tension nominale	220 - 240 V~
Fréquence nominale	50 Hz
Source lumineuse de classe d'efficacité énergétique	-

Remarque : Les informations sur le produit dans la base de données peuvent être consultées en scannant le code QR sur l'étiquette EPREL.

Protection de l'environnement

1. Matériaux d'emballage ♻️

Les matériaux recyclables sont marqués du symbole ♻️.

Mettez les matériaux d'emballage dans des conteneurs appropriés pour les recycler. Tenez les matériaux d'emballage (sacs en plastique, pièces en polystyrène, etc.) hors de portée des enfants, car ils constituent une source potentielle de danger.

2. Mise au rebut/élimination

L'appareil est fabriqué à partir de matériaux recyclables.

Cet appareil est marqué conformément à la directive européenne 2002/96/CE relative aux déchets d'équipements électriques et électroniques (DEEE). En veillant à l'élimination correcte de cet appareil, vous pouvez contribuer à prévenir des conséquences potentiellement négatives pour l'environnement et la santé humaine.

Le symbole  apposé sur l'appareil ou sur les

documents qui l'accompagnent indique que cet appareil ne doit pas être traité comme un déchet domestique, mais doit être remis à un centre de collecte spécial pour le recyclage des équipements électriques et électroniques. Lorsque vous mettez l'appareil au rebut, rendez-le inutilisable en coupant le câble d'alimentation et en retirant les portes et les clayettes afin que les enfants ne puissent pas facilement grimper à l'intérieur et s'y retrouver coincés.

Mettez l'appareil au rebut conformément aux réglementations locales en matière d'élimination des déchets, en le déposant dans un centre de collecte spécialisé ; ne laissez pas l'appareil sans surveillance, même pendant quelques jours, car il constitue une source potentielle de danger pour les enfants. Pour plus d'informations sur le traitement, la récupération et le recyclage de ce produit, contactez votre bureau local compétent, le service de collecte des déchets ménagers ou le magasin où vous avez acheté l'appareil.

Déclaration de conformité

- Cet appareil a été conçu pour la conservation des aliments et est fabriqué conformément à la réglementation (CE) n° 1935/2004.



- Cet appareil a été conçu, fabriqué et commercialisé en conformité avec ce qui suit :
 - les objectifs de sécurité de la directive « basse tension » 2014/35/UE (qui remplace la directive 2006/95/CE et ses modifications ultérieures) ;

- les exigences de protection de la directive « CEM » 2014/30/EU.
- Cet appareil a été conçu, fabriqué et commercialisé en conformité avec ce qui suit :
 - Règlement de 2016 sur la compatibilité électromagnétique
 - Règlement de 2016 relatif à l'équipement électrique (sécurité)



Garantie IKEA

Quelle est la durée de validité de la garantie IKEA ?

La garantie est valable **2 ans** à compter de la date d'achat, sauf disposition contraire dans la législation nationale. En Norvège, au Portugal et en Espagne, la garantie est valable 3 ans à compter de la date de livraison au client, sauf disposition contraire dans la législation nationale. La preuve d'achat originale est requise. Les réparations effectuées sous garantie ne prolongent pas la période de garantie de l'appareil.

Qui effectuera la réparation ?

Le prestataire de services IKEA fournira le service par le biais de ses propres opérations de service ou d'un réseau de partenaires de service autorisés.

Que couvre la garantie ?

La garantie couvre les défauts de l'appareil dus à des vices de matière ou de fabrication à compter de la date d'achat chez IKEA. Cette garantie ne s'applique que dans le cas d'un usage domestique. Les exceptions sont spécifiées à la rubrique « Qu'est-ce qui n'est pas couvert par cette garantie ? » Pendant la période de garantie, les coûts engagés pour remédier au problème, par exemple les réparations, les pièces, la main-d'œuvre et les déplacements sont pris en charge à condition que l'appareil soit accessible à des fins de réparation sans dépenses particulières. Dans ces conditions, les directives de l'UE (n° 99/44/EG) et les réglementations locales respectives sont applicables. Les pièces remplacées deviendront propriété d'IKEA.

Que fera IKEA pour régler le problème ?

Le prestataire de services désigné par IKEA examinera le produit et décidera, à sa seule discrétion, s'il est couvert par cette garantie. S'il est considéré comme couvert, le prestataire de services IKEA ou son partenaire de service agréé, par le biais de ses propres opérations de service, réparera alors, à sa seule discrétion, le produit défectueux ou le remplacera par un produit identique ou comparable.

Qu'est-ce qui n'est pas couvert par cette garantie ?

- L'usure normale.
- Les dommages occasionnés sciemment ou par négligence, les dommages résultant du non-respect des instructions d'utilisation, d'une installation inadéquate ou d'une alimentation électrique inadéquate, les dommages causés par des réactions chimiques ou électrochimiques, la rouille, la corrosion ou un dégât des eaux, y compris, notamment, les dommages causés par un excès de calcaire dans l'eau, les dommages causés par des conditions environnementales anormales.
- Les consommables, y compris les ampoules et les piles.
- Les éléments non fonctionnels et décoratifs qui n'affectent pas l'usage normal de l'appareil, y compris les rayures et les éventuelles différences de couleur.
- Les dommages accidentels causés par des corps étrangers ou des substances, et le nettoyage et le débouchage des filtres, des systèmes de vidange ou des compartiments à savon.
- Les dommages occasionnés aux éléments suivants : vitrocéramique, accessoires, paniers à vaisselle et à couverts, tuyaux d'alimentation et de vidange, joints, ampoules et diffuseurs, écrans, boutons, revêtements et parties de revêtements. Sauf s'il est prouvé que ces dommages sont dus à des vices de fabrication.
- Les cas où aucun défaut n'a pu être constaté lors de la visite d'un technicien.
- Les réparations qui ne sont pas effectuées par nos réparateurs désignés et/ou un partenaire contractuel autorisé ou en cas d'utilisation antérieure de pièces non d'origine.
- Les réparations consécutives à une installation inadéquate ou non conforme aux spécifications.
- L'utilisation de l'appareil dans un environnement non domestique (p. ex. professionnel).

- Les dommages occasionnés par ou durant le transport. Si un client transporte personnellement le produit jusqu'à son domicile ou une autre adresse, IKEA décline toute responsabilité en cas de dommages pendant le transport. Si IKEA livre le produit à l'adresse de livraison indiquée par le client, tout éventuel dommage se produisant en cours de livraison sera couvert par IKEA.
- Les frais liés à l'installation initiale de l'appareil IKEA. Si un prestataire de service IKEA ou un partenaire contractuel autorisé répare ou remplace l'appareil conformément à la présente garantie, le prestataire de services ou le partenaire agréé autorisé réinstallera l'appareil réparé ou installera l'appareil de remplacement, le cas échéant.

Ces restrictions ne s'appliquent pas aux travaux sans défaut effectués par un spécialiste qualifié utilisant nos pièces d'origine afin d'adapter l'appareil aux spécifications techniques de sécurité d'un autre pays de l'UE.

Loi nationale applicable

La garantie IKEA vous donne des droits légaux spécifiques, qui couvrent ou dépassent toutes les exigences légales locales. Cependant, ces conditions ne limitent en aucun cas les droits des consommateurs décrits dans la législation locale.

Zone de validité

Pour les appareils achetés dans un pays européen et transportés dans un autre pays européen, les interventions seront effectuées dans le cadre des conditions de garantie normales dans le nouveau pays.

L'obligation de réparation dans le cadre de la garantie n'est effective que si l'appareil est conforme et installé conformément aux :

- spécifications techniques du pays dans lequel la demande d'intervention sous garantie est introduite ;
- instructions de montage et aux informations relatives aux consignes de sécurité figurant dans le manuel d'utilisation.

Le service APRÈS-VENTE dédié aux appareils IKEA

N'hésitez pas à contacter le service après-vente désigné par IKEA pour :

- faire une demande d'intervention sous garantie ;
- demander des précisions sur l'installation de l'appareil IKEA dans le meuble de cuisine IKEA dédié.
- Demander des précisions au sujet des fonctions des appareils IKEA.

Afin de vous garantir la meilleure assistance possible, nous vous prions de lire attentivement les instructions d'assemblage et le mode d'emploi avant de nous contacter.

Comment nous joindre en cas de besoin



Vous trouverez les numéros de téléphone des prestataires de service après-vente désignés par IKEA à la fin de ce manuel.

- ① **Afin de vous fournir un service plus rapide, nous vous recommandons d'utiliser les numéros de téléphone spécifiques indiqués dans ce manuel. Utilisez toujours les numéros de téléphone indiqués dans le manuel d'utilisation de l'appareil pour lequel vous avez besoin d'aide. N'oubliez pas d'indiquer le numéro d'article à 8 chiffres et le numéro de série à 22 chiffres figurant sur la plaque signalétique de votre appareil.**

- ① **CONSERVEZ VOTRE PREUVE D'ACHAT !** La preuve de votre achat est nécessaire pour l'application de la garantie. Le nom et le numéro d'article (code à 8 chiffres) IKEA de chaque appareil acheté figurent également sur la preuve d'achat.

Besoin d'aide supplémentaire ?

Pour toute autre question non relative au service après-vente de vos appareils, contactez le centre d'appel de votre magasin IKEA. Nous vous recommandons de lire attentivement toute la documentation fournie avec l'appareil avant de nous contacter.

Informations sur les pièces détachées

- Les pièces détachées suivantes comme les thermostats, capteurs de température, circuits imprimés et sources lumineuses, seront disponibles pour les réparateurs professionnels pendant une période minimale de sept ans, après la mise sur le marché de la dernière unité du modèle.
- Les pièces détachées suivantes : poignées de porte, charnières de porte, plateaux et paniers seront disponibles pour les réparateurs professionnels et les utilisateurs finaux pendant une période minimale de sept ans, et les joints de porte pendant une période minimale de dix ans, après la mise sur le marché de la dernière unité du modèle.

Les pièces détachées peuvent être trouvées à l'adresse suivante : www.ikea.com

Indice

Informazioni per la sicurezza	42	Uso quotidiano.....	48
Istruzioni per la sicurezza	43	Pulizia e manutenzione.....	48
Installazione.....	45	Risoluzione dei problemi	49
Primo utilizzo.....	46	Informazioni tecniche.....	51
Descrizione del prodotto	47	Consigli per la salvaguardia dell'ambiente.....	51
Funzionamento	47	Garanzia IKEA	52

Informazioni per la sicurezza

Leggere attentamente le istruzioni fornite prima di installare e utilizzare l'apparecchiatura. Il produttore non è responsabile in caso di lesioni o danni derivanti da un'installazione o un uso impropri dell'apparecchio. Conservare le istruzioni come riferimento futuro.

Sicurezza dei bambini e delle persone vulnerabili



AVVERTENZA: Rischio di incendio/Materiali infiammabili

- Questo apparecchio può essere usato da bambini a partire dagli 8 anni e da adulti con limitate capacità fisiche, sensoriali o mentali o con scarsa esperienza o conoscenza sull'uso dell'apparecchio, solamente se sorvegliati o se istruiti relativamente all'uso dell'apparecchio e se hanno compreso i rischi che ne derivano. I bambini non devono giocare con l'apparecchio. La pulizia e gli interventi di manutenzione non devono essere eseguiti dai bambini senza supervisione. I bambini devono essere sorvegliati per sincerarsi che non giochino con l'apparecchio.
- Questo apparecchio può essere utilizzato da bambini di età compresa tra i 3 e gli 8 anni e da persone con disabilità estese e complesse, purché vengano adeguatamente istruite.
- I bambini di età inferiore ai 3 anni devono essere tenuti lontani, a meno che non siano continuamente sorvegliati.
- Non lasciare che i bambini giochino con l'apparecchio.
- I bambini non devono eseguire le operazioni di pulizia e manutenzione dell'apparecchio a carico dell'utente, senza un'adeguata supervisione.
- I bambini di età compresa tra i 3 e gli 8 anni possono caricare e scaricare il frigorifero.
- Conservare il materiale di imballaggio fuori dalla portata dei bambini e smaltirlo correttamente.

Sicurezza generale

- L'apparecchio è destinato all'uso domestico e ad applicazioni simili, tra cui:
 - nelle aree adibite a cucina di negozi, uffici e altri ambienti di lavoro;
 - negli agriturismi e dai clienti di alberghi, motel e altre strutture di tipo residenziale;
 - nelle strutture del tipo bed & breakfast;
 - nei catering e in applicazioni analoghe non destinate al consumo al dettaglio.
- **AVVERTENZA:** Verificare che le aperture di ventilazione, sia sull'apparecchio che nella struttura da incasso, non siano ostruite.
- **AVVERTENZA:** Non usare dispositivi meccanici o altri mezzi non raccomandati dal produttore allo scopo di accelerare il processo di sbrinamento.
- **AVVERTENZA:** Non danneggiare il circuito refrigerante.
- **AVVERTENZA:** Non utilizzare apparecchiature elettriche all'interno degli scomparti di conservazione degli alimenti, ad eccezione di quelli consigliati dal produttore.

- **AVVERTENZA:** Non nebulizzare acqua né utilizzare vapore per pulire l'apparecchio.
- **AVVERTENZA:** Pulire l'apparecchio con un panno umido e morbido. Utilizzare solo detergenti neutri. Non usare prodotti abrasivi, spugnette abrasive, solventi od oggetti metallici.
- **AVVERTENZA:** Non conservare all'interno dell'apparecchio sostanze esplosive come bombolette spray contenenti un propellente infiammabile.
- **AVVERTENZA:** Se il cavo di alimentazione è danneggiato, deve essere sostituito dal produttore, da un tecnico autorizzato o da una persona qualificata per evitare situazioni di pericolo.
- **AVVERTENZA:** Durante il posizionamento dell'apparecchio, assicurarsi che il cavo di alimentazione non venga bloccato o non sia danneggiato.
- **AVVERTENZA:** Non posizionare più prese di corrente o unità di alimentazione portatili sul retro dell'apparecchio.
- Lasciare lo sportello aperto per lunghi periodi può causare un aumento significativo della temperatura all'interno degli scomparti dell'apparecchio.
- Pulire regolarmente le superfici che entrano in contatto con gli alimenti e i sistemi di scarico accessibili.
- Pulire i serbatoi dell'acqua se non vengono utilizzati per 48 ore; scaricare il sistema dell'acqua collegato ad una sorgente di alimentazione dell'acqua se l'acqua non viene usata per 5 giorni.
- Conservare la carne cruda e il pesce in contenitori adatti all'uso nel frigorifero, in modo da evitare qualunque tipo di contatto e impedire che gocciolino su altri alimenti.
- Se il frigorifero rimane vuoto per lunghi periodi di tempo, spegnerlo sbrinarlo, pulirlo, asciugarlo e lasciare lo sportello aperto per evitare la formazione di muffa all'interno.
- Questo frigorifero non è adatto per congelare gli alimenti.
- Il frigorifero non è pensato per essere utilizzato come un'unità da incasso.
- Gli scomparti per alimenti congelati contrassegnati con due stelle sono adatti per conservare alimenti precongelati e per conservare o preparare gelato e cubetti di ghiaccio.
- Gli scomparti contrassegnati con una, due o tre stelle non sono adatti per congelare gli alimenti freschi.
- **AVVERTENZA:** Per evitare eventuali rischi dovuti ad una installazione instabile dell'apparecchio, si raccomanda di fissarlo come indicato nelle istruzioni.

Istruzioni per la sicurezza

Installazione

⚠ AVVERTENZA! Questo apparecchio può essere installato unicamente da personale qualificato.

- Rimuovere tutti i materiali di imballaggio.
- Non installare o utilizzare l'apparecchio se è danneggiato.
- Seguire le istruzioni di installazione fornite con l'apparecchio.
- Prestare sempre la massima attenzione quando occorre spostare l'apparecchio, poiché è molto pesante. Indossare sempre guanti e scarpe di protezione.
- Fare attenzione a non danneggiare i pavimenti (ad esempio il parquet) quando si sposta l'apparecchio.
- Assicurarsi che l'apparecchio non venga installato vicino a una fonte di calore.
- Installare e livellare l'apparecchio su un pavimento sufficientemente robusto da sopportarne il peso e in un luogo adatto alle sue dimensioni e al suo utilizzo.
- Assicurarsi che l'aria possa circolare liberamente attorno all'apparecchio.
- Al momento della prima installazione, o dopo avere invertito lo sportello, attendere almeno 4 ore prima di collegare l'apparecchio all'alimentazione. Ciò consente all'olio di fluire nuovamente nel compressore.
- Prima di eseguire qualunque operazione sull'apparecchio (ad es. l'inversione dello sportello), scollegare la spina dalla presa di alimentazione.

- Il lato posteriore dell'apparecchio deve essere appoggiato alla parete.
- Non installare l'apparecchio in una posizione esposta alla luce diretta del sole.
- Non installare l'apparecchio in ambienti troppo umidi o freddi, come ad esempio cantine.

Collegamento elettrico

⚠ AVVERTENZA! Rischio di incendio e scosse elettriche.

⚠ AVVERTENZA! Durante il posizionamento dell'apparecchio, assicurarsi che il cavo di alimentazione non venga bloccato o non sia danneggiato.

⚠ AVVERTENZA! Non utilizzare prese multiple o prolunghie.

- L'apparecchio deve disporre di una messa a terra.
- Assicurarsi che i parametri riportati sulla targa di identificazione dell'apparecchio siano compatibili con i valori elettrici nominali dell'alimentazione di rete.
- Utilizzare sempre una presa elettrica con contatto di protezione correttamente installata.
- Accertarsi di non danneggiare i componenti elettrici (ad es. la spina di alimentazione, il cavo di alimentazione, il compressore). Contattare un centro assistenza autorizzato o un elettricista per sostituire i componenti elettrici.
- Il cavo di alimentazione deve rimanere al di sotto del livello della spina di alimentazione.
- Collegare la spina di alimentazione alla presa solo al termine dell'installazione. Verificare che la spina di alimentazione rimanga accessibile dopo l'installazione.
- Non tirare il cavo di alimentazione per scollegare l'apparecchio. Afferrare sempre la spina.
- Solo per il Regno Unito e l'Irlanda:
Questo apparecchio è dotato di una spina di rete da 13 A. Nel caso in cui sia necessario sostituire il fusibile della spina di alimentazione, utilizzare unicamente un fusibile ASTA (BS 1362) da 13 A.

Utilizzo

⚠ AVVERTENZA! Rischio di lesioni, scottature o scosse elettriche.



Le tubazioni del circuito di refrigerazione contengono una piccola quantità di refrigerante R600a, ecologico ma infiammabile. Quest'ultimo non danneggia lo strato di ozono e non aumenta l'effetto serra. In caso di fuoriuscita di refrigerante, lo stesso potrebbe provocare lesioni agli occhi o prendere fuoco. Non danneggiare le tubazioni.

- la superficie del compressore può diventare calda in normali condizioni di funzionamento. Non toccare con le mani.
- Non apportare modifiche alle specifiche dell'apparecchio.
- Non riporre apparecchiature elettriche (ad es. gelatiere) all'interno dell'apparecchio, ove non specificamente consentito dal produttore.
- In caso di danni al circuito refrigerante, assicurarsi che non si sviluppino fiamme libere e scintille nell'ambiente di installazione. Aerare bene l'ambiente.
- Evitare che oggetti incandescenti entrino in contatto con le parti in plastica dell'apparecchio.
- Evitare di riporre le bevande in bottiglia nel vano congelatore per evitare che scoppino o che si verifichino altre perdite.
- Non conservare gas o liquidi infiammabili all'interno dell'apparecchio.
- Non collocare prodotti infiammabili o oggetti bagnati con prodotti infiammabili al suo interno o nelle immediate vicinanze.
- Non toccare il compressore o il condensatore. Sono molto caldi.
- Non togliere o toccare gli oggetti nel vano congelatore con le mani bagnate o umide.
- Non ingerire il contenuto (non tossico) degli impacchi di ghiaccio.
- Non mangiare cubetti di ghiaccio o ghiaccioli subito dopo averli tolti dal congelatore, perché potrebbero causare ustioni da freddo.
- Gli alimenti scongelati non devono essere rimessi nel vano congelatore.
- Seguire le istruzioni di conservazione riportate sulla confezione dei prodotti alimentari.

Illuminazione interna

⚠ AVVERTENZA! Rischio di scosse elettriche.

- La lampadina utilizzata all'interno dell'apparecchio è stata concepita specificamente per gli elettrodomestici e non è adatta all'illuminazione generale degli ambienti domestici ((UE) 2019/2020).

Manutenzione e pulizia

⚠ AVVERTENZA! Rischio di lesioni o danni all'apparecchio.

- Prima di eseguire qualunque intervento di manutenzione, spegnere l'apparecchio ed estrarre la spina dalla presa di rete.
- L'unità refrigerante di questo apparecchio contiene idrocarburi. Solo il personale qualificato è autorizzato ad eseguire la manutenzione e a ricaricare l'unità.
- Controllare regolarmente lo scarico dell'apparecchio e, se necessario, pulirlo. L'ostruzione dello scarico può causare un deposito di acqua di sbrinamento sul fondo dell'apparecchio.

Manutenzione

- Nel caso in cui sia necessario riparare l'apparecchio, contattare un centro assistenza autorizzato indicato nell'elenco riportato alla fine del presente manuale.
- Utilizzare solo pezzi di ricambio originali.

Smaltimento

⚠ AVVERTENZA! Rischio di lesioni o soffocamento.

- Scollegare la spina dall'alimentazione di rete.
- Scollegare il cavo di rete e smaltirlo adeguatamente.

- Rimuovere gli sportelli per evitare che bambini e animali domestici rimangano chiusi all'interno dell'apparecchio.
- Il circuito refrigerante e i materiali isolanti dell'apparecchio sono eco-compatibili.
- La schiuma isolante contiene gas infiammabili. Contattare le autorità locali per ricevere informazioni su come smaltire correttamente l'apparecchio.
- Non danneggiare i componenti dell'unità refrigerante che si trovano vicino allo scambiatore di calore.

Il produttore non potrà essere ritenuto responsabile per eventuali danni a persone o animali o a cose se in caso di inosservanza dei consigli e delle precauzioni di cui sopra.

Installazione

⚠ AVVERTENZA! Prima di installare l'apparecchio, leggere attentamente le informazioni sulla sicurezza contenute in questo libretto.

Checklist di installazione

Sportello

- Lo sportello sigilla completamente su tutti i lati
- Lo sportello è a livello

Livellamento

- Il frigorifero è a livello

Alimentazione

- Attendere 4 ore
- Rete di alimentazione domestica accesa
- Frigorifero collegato

Controlli finali

- Rimozione del materiale di imballaggio
- Temperatura del frigorifero impostata

Luogo d'installazione

- Per una corretta installazione dell'apparecchio, seguire le istruzioni di assemblaggio fornite separatamente.
- Installare l'apparecchio in un ambiente, la cui temperatura ambiente corrisponda alla classe climatica indicata sulla targa di identificazione dell'apparecchio. Ciò garantisce il corretto funzionamento dell'apparecchio. Di seguito è riportata la spiegazione delle classi climatiche:

Classe climatica	Intervallo di temperatura ambiente
SN	da +10 °C a +32 °C
N	da +16 °C a +32 °C
ST	da +16 °C a +38 °C
T	da +16 °C a +43 °C

- "SN" indica che il frigorifero è pensato per essere utilizzato ad una temperatura ambiente compresa tra 10 e 32 °C.

- "N" indica che il frigorifero è pensato per essere utilizzato ad una temperatura ambiente compresa tra 16 e 32 °C.

- "ST" indica che il frigorifero è pensato per essere utilizzato ad una temperatura ambiente compresa tra 16 e 38 °C.

- "T" indica che il frigorifero è pensato per essere utilizzato ad una temperatura ambiente compresa tra 16 e 43 °C.

i Con alcuni modelli di apparecchi, potrebbero verificarsi problemi di funzionamento nel caso in cui operino al di fuori degli intervalli di temperatura previsti. Il corretto funzionamento può essere garantito solo nel rispetto degli intervalli di temperatura indicati.

In caso di dubbi in merito all'installazione, rivolgersi al rivenditore, al servizio clienti o al centro di assistenza autorizzato più vicino.

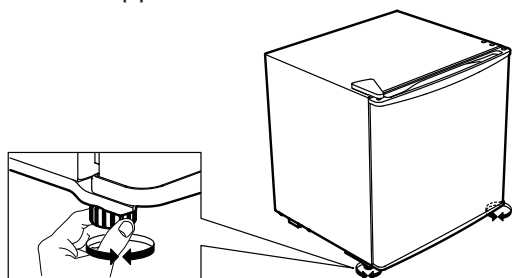
Luogo di utilizzo

Per garantire prestazioni ottimali, l'apparecchiatura deve essere installata lontano da fonti di calore come termosifoni, boiler e luce solare diretta. Verificare che sul lato posteriore sia garantita un'adeguata circolazione dell'aria.

Livellamento dell'apparecchio

Se l'apparecchio oscilla, regolare l'altezza dei due piedini nella parte anteriore dell'apparecchio in modo da livellarlo perfettamente. Fare riferimento alle istruzioni di assemblaggio fornite separatamente per una descrizione dettagliata della procedura di installazione.

1. Scollegare la spina dell'apparecchio dalla presa di alimentazione.
2. Ruotare il piede in senso orario per sollevare l'apparecchio. Ruotarlo in senso antiorario per abbassare l'apparecchio.



Pulizia dell'apparecchio.

Prima di utilizzare l'apparecchio per la prima volta, pulirlo per eliminare l'odore tipico di un prodotto nuovo.

1. Assicurarsi che l'apparecchio sia scollegato dall'alimentazione.
2. Pulire all'interno con un panno morbido e umido.
3. Lavare gli accessori interni con acqua tiepida e sapone neutro, quindi asciugare accuratamente.

ATTENZIONE!

Non utilizzare detersivi o solventi abrasivi, a base di cloruro o acidi.

- Non utilizzare spugne abrasive. Le superfici metalliche potrebbero deteriorarsi.
- Non lavare gli accessori in lavastoviglie. Potrebbero deformarsi.

Collegamento elettrico

⚠ ATTENZIONE! Tutti gli interventi elettrici necessari per installare l'apparecchio devono essere eseguiti da un elettricista qualificato o da personale competente.

⚠ AVVERTENZA! L'apparecchio deve essere collegato a terra. L'inosservanza di queste istruzioni può causare la morte o il rischio di incendio o scosse elettriche.

Il produttore non sarà in alcun modo responsabile in caso di inosservanza delle misure di sicurezza.

Questo apparecchio è conforme alle direttive CEE.

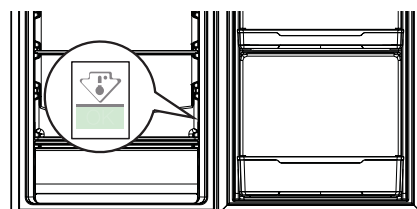
Primo utilizzo

Collegare l'apparecchio all'alimentazione. Le temperature ideali per la conservazione degli alimenti sono già impostate in fabbrica (valore intermedio).

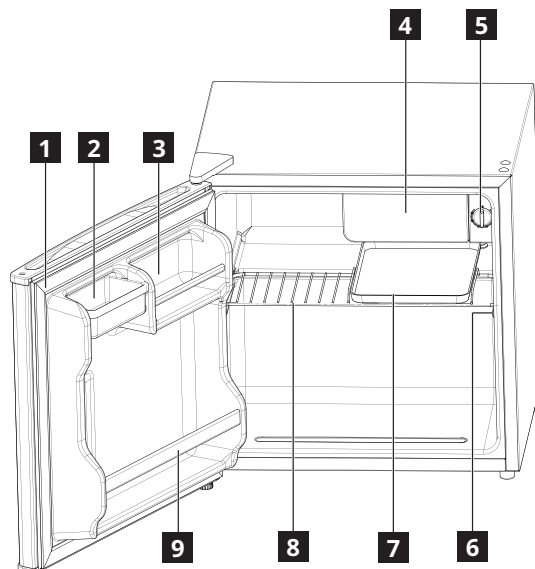
Nota: dopo l'accensione, l'apparecchio ha bisogno di 4-5 ore per raggiungere la temperatura corretta per conservare delle quantità tipiche di alimenti.

Importante!

In conformità con le normative in vigore in alcuni paesi, è necessario dotare il frigorifero con uno speciale dispositivo da posizionare in basso nel vano frigo (vedere la figura seguente) pensato per indicare la zona più fredda.



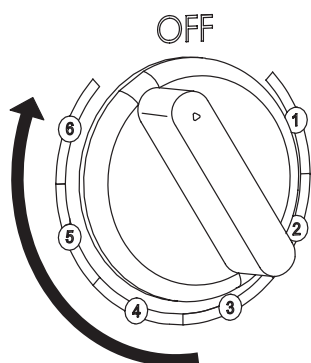
Descrizione del prodotto



- 1** Guarnizione dello sportello
- 2** Contenitore
- 3** Porta lattine
- 4** Vano frigorifero

- 5** Regolatore della temperatura
- 6** Targa dati
- 7** Vassoio per sbrinamento
- 8** Scaffale
- 9** Portabottiglie

Funzionamento



Accensione

Collegare la spina ad una presa di alimentazione e regolare la temperatura. L'apparecchio si accende e si mette in funzione.

Regolazione della temperatura

La temperatura viene regolata automaticamente. Per regolare la temperatura, procedere nel modo seguente:

- Ruotare il regolatore della temperatura su un'impostazione più bassa per diminuire il freddo.
 - Ruotare il regolatore della temperatura su un'impostazione più alta per aumentare il freddo.
- i** In condizioni normali, si consiglia di utilizzare una regolazione media.

Regolare manualmente l'impostazione della temperatura tenendo presente che la temperatura interna dell'apparecchio dipende dai seguenti fattori:

- temperatura ambiente
- frequenza di apertura dello sportello
- quantità di alimenti conservati
- posizione dell'apparecchiatura.

Importante! Se la temperatura ambiente è alta, o l'apparecchio funziona a pieno carico ed è impostato alla temperatura minima, potrebbe funzionare in modo continuo causando la formazione di ghiaccio sulla parete posteriore. In questo caso, occorre impostare una temperatura più alta in modo da consentire lo sbrinamento automatico e ridurre il consumo di energia.

Consigli:

- Più bassa è la temperatura, più a lungo si possono conservare in sicurezza gli alimenti e maggiore sarà il consumo di elettricità dell'apparecchio.
- Più alta è la temperatura, più velocemente gli alimenti conservati si decompongono e meno elettricità verrà consumata dall'apparecchio.

Spegnimento

Per spegnere l'apparecchio, ruotare la manopola di regolazione della temperatura su "OFF", quindi scollegare la spina dalla presa di alimentazione.

Uso quotidiano

Consigli per la refrigerazione di alimenti freschi

- Coprire o avvolgere gli alimenti, in particolare quelli con un gusto o un aroma forte,
- Posizionare gli alimenti in modo che l'aria possa circolare liberamente attorno ad essi.
- Per ottenere le massime prestazioni, lasciare uno spazio sufficiente nel vano frigo in modo che l'aria possa circolare attorno alle confezioni. Inoltre, lasciare spazio sufficiente nella parte anteriore, in modo che lo sportello possa chiudersi saldamente.
- Non introdurre alimenti o liquidi caldi nel vano frigo.
- Alimenti cotti e piatti freddi: coprire e posizionarli su qualunque scaffale.
- Frutta e verdura: pulire accuratamente e riporla nel cassetto per verdure. Banane, patate, cipolle e aglio non devono essere conservati nel frigorifero senza confezione.
- Burro e formaggio: posizionarli in dei contenitori speciali ermetici oppure avvolgerli nella pellicola di alluminio o in dei sacchetti di polietilene, per impedire quanto più possibile che l'aria penetri all'interno.
- Bottiglie: chiuderle con dei tappi e posizionarle sui ripiani per sportello.
- Per garantire una ventilazione adeguata, seguire le istruzioni di installazione.
- Una ventilazione insufficiente sul retro del prodotto aumenta il consumo energetico e riduce l'efficienza di raffreddamento.
- Le temperature interne dell'apparecchio possono essere influenzate dalla temperatura ambiente, dalla frequenza di apertura dello sportello e dalla posizione dell'apparecchio. L'impostazione della temperatura deve tenere conto di questi fattori.
- Lasciare raffreddare gli alimenti e le bevande prima di posizionarli nell'apparecchio.
- Non ostruire la ventola (se presente) con gli alimenti.
- Dopo aver posizionato o rimosso gli alimenti, assicurarsi di chiudere correttamente lo sportello, in particolare quello del congelatore.
- Ridurre al minimo l'apertura dello sportello.
- Per scongelare i cibi congelati, riporli nel frigorifero. Tuttavia, la bassa temperatura dei prodotti congelati raffredda gli alimenti nel frigorifero.
- La posizione dei ripiani del frigorifero non influenza in alcun modo l'uso efficiente dell'energia. Gli alimenti devono essere disposti sui ripiani in modo da garantire un'adeguata circolazione dell'aria (gli alimenti non devono toccarsi tra loro e deve essere mantenuta una certa distanza tra gli alimenti e la parete posteriore).
- Le guarnizioni danneggiate devono essere sostituite al più presto.

Consigli utili per risparmiare energia

- Installare l'apparecchio in un ambiente asciutto e ben ventilato, lontano da qualsiasi fonte di calore (ad es. termosifoni, fornelli, ecc.) e in un luogo non esposto direttamente al sole. Se necessario, utilizzare una piastra isolante.

Pulizia e manutenzione

Consigli generali

- Pulire regolarmente l'apparecchio con un panno e una soluzione di acqua calda e detergente neutro specifico per gli interni dei frigoriferi. Non usare detersivi o utensili abrasivi.
- Prima di procedere alla manutenzione o alla pulizia dell'apparecchio, scollegarlo dalla rete elettrica o interrompere l'alimentazione.

ATTENZIONE! Gli accessori del frigorifero non devono essere lavati in lavastoviglie.

Sbrinare l'apparecchio

- Sbrinare l'apparecchio quando lo strato di ghiaccio sulla superficie dell'evaporatore raggiunge uno spessore di 3-4 mm.
- Prima di sbrinare, rimuovere tutti gli alimenti e spegnere l'apparecchio. Porre il vassoio di sbrinamento sotto all'evaporatore per raccogliere l'acqua sciolta.

- Una volta sciolto il ghiaccio, gettare l'acqua sciolta, asciugare l'interno dell'apparecchio con un panno asciutto e riaccendere l'apparecchio.

Se si prevede di non utilizzare l'apparecchio per periodi di tempo prolungati

1. Spegnere l'apparecchio.
2. Scollegare l'apparecchio dall'alimentazione.
3. Estrarre tutti gli alimenti.
4. Sbrinare e pulire l'apparecchio.
5. Lasciare gli sportelli aperti quanto basta per fare circolare l'aria all'interno degli scomparti. In questo modo si evita la formazione di muffa e di odori sgradevoli.

In caso di interruzione di corrente

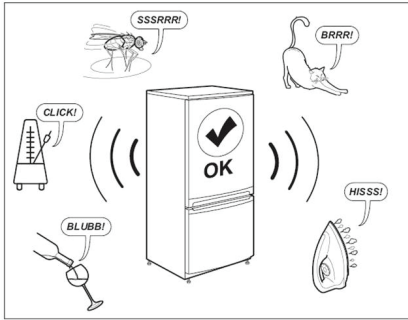
- Tenere chiusi gli sportelli dell'apparecchio. In questo modo gli alimenti si manterranno freddi il più a lungo possibile.

Risoluzione dei problemi

Problema	Possibile causa	Soluzione
L'apparecchio non funziona.	L'apparecchiatura è spenta.	Accendere l'apparecchiatura.
	La spina non è inserita correttamente nella presa di alimentazione.	Inserire correttamente la spina nella presa di alimentazione.
	Assenza di tensione nella presa di alimentazione.	Per verificare che la presa di rete funzioni, collegarvi un altro apparecchio elettrico. Contattare un elettricista qualificato per far riparare la presa.
L'apparecchio è rumoroso.	L'apparecchio non è posizionato in modo stabile.	Livellare l'apparecchio. Fare riferimento alla sezione "Livellamento dell'apparecchio", o leggere le istruzioni di assemblaggio fornite separatamente.
Il compressore funziona incessantemente.	La temperatura impostata è troppo bassa.	Impostare una temperatura superiore. Fare riferimento alla sezione "Funzionamento".
	Sono stati introdotti troppi alimenti contemporaneamente.	Attendere alcune ore e ricontrollare la temperatura.
	La temperatura ambiente è troppo alta.	Se possibile, spostare l'apparecchio altrove. Fare riferimento alla sezione "Posizionamento".
	Gli alimenti introdotti nell'apparecchio erano troppo caldi.	Lasciare raffreddare gli alimenti a temperatura ambiente prima di introdurli nel frigorifero.
	Lo sportello non è chiuso correttamente.	Fare riferimento al capitolo "Chiusura dello sportello".
La temperatura all'interno dell'apparecchio è troppo bassa/troppo alta.	La temperatura non è stata impostata correttamente.	Impostare una temperatura superiore/inferiore.
	Lo sportello non è chiuso correttamente.	Fare riferimento al capitolo "Chiusura dello sportello".
	Gli alimenti introdotti nell'apparecchio erano troppo caldi.	Lasciare raffreddare gli alimenti a temperatura ambiente prima di introdurli nel frigorifero.
	Sono stati introdotti troppi alimenti contemporaneamente.	Introdurre un numero inferiore di alimenti nello stesso momento.
	Lo spessore dello strato di ghiaccio supera i 4-5 mm.	Sbrinare l'apparecchio.
	Lo sportello è stato aperto troppo frequentemente.	Aprire lo sportello solo quando è necessario.
	Non circola aria fredda a sufficienza all'interno dell'apparecchio.	Riposizionare gli alimenti in modo che l'aria possa circolare liberamente nell'apparecchio.
Lo sportello non si chiude completamente.	Fare riferimento al capitolo "Chiusura dello sportello".	Fare riferimento al capitolo "Chiusura dello sportello".

Rumori normali

È normale che il sistema di refrigerazione generi alcuni rumori, come gorgoglii e sibili.



Chiusura dello sportello

Problema	Soluzione
Le guarnizioni dello sportello sono sporche.	Pulirle.
Le guarnizioni dello sportello danneggiate.	Contattare il centro assistenza autorizzato per la loro sostituzione.
Lo sportello è bloccato da scaffali, cassetti, alimenti, ecc.	Posizionarli correttamente o rimuovere gli oggetti che bloccano lo sportello.
L'apparecchio non è livellato correttamente.	Livellare l'apparecchio. Fare riferimento alla sezione "Livellamento dell'apparecchio", o leggere le istruzioni di assemblaggio fornite separatamente.
Lo sportello non è allineato con la struttura.	Regolare lo sportello. Fare riferimento alle istruzioni di assemblaggio fornite separatamente.

Prima di contattare il servizio post-vendita:

Riavviare l'apparecchio per verificare se il guasto è stato eliminato. Se il problema persiste, spegnere nuovamente l'apparecchio e ripetere l'operazione dopo un'ora.

Se l'apparecchio continua a non funzionare correttamente dopo avere eseguito i controlli elencati nella guida alla risoluzione dei problemi e averlo riacceso, contattare il servizio post-vendita spiegando chiaramente il problema e specificando:

- la natura del problema
- la data di acquisto
- il modello e il numero di serie dell'apparecchio

❶ Il codice prodotto e il numero di serie sono riportati sulla targa di identificazione applicata sul lato interno destro dell'apparecchio.

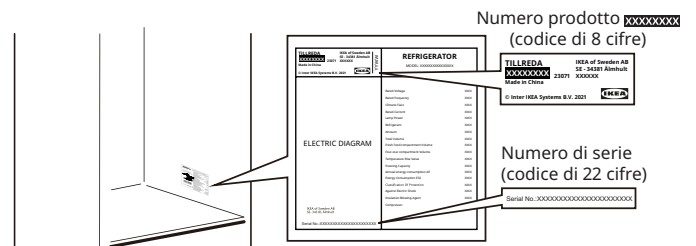


Figura a solo scopo di riferimento


Informazioni tecniche

Categoria del prodotto	
Tipo di prodotto	Frigorifero
Tipo di installazione	Unità autonoma
Dimensioni del prodotto	
Altezza	492 mm
Larghezza	472 mm
Profondità	450 mm
Volume netto	
Frigorifero	43,0 litri
Sistema di sbrinamento	
Frigorifero	Manuale
Altre specifiche	
Valutazione a stelle	-
Tempo di aumento della temperatura	-
Consumo energetico	80 kWh/anno
Livello di rumorosità	41 dB(A)
Classe di efficienza energetica	E
Tensione nominale	220 - 240 V~
Frequenza nominale	50 Hz
Classe di efficienza energetica del sistema di illuminazione	-

Nota: Le informazioni sul prodotto contenute nel database dei prodotti sono accessibili eseguendo la scansione del codice QR sull'etichetta EPREL.

Consigli per la salvaguardia dell'ambiente

1. Materiali di imballaggio


I materiali riciclabili sono contrassegnati con il simbolo .

Riporre i materiali di imballaggio negli appositi contenitori per il riciclo.

Tenere il materiale di imballaggio (sacchetti di plastica, parti in polistirolo, ecc.) fuori dalla portata dei bambini, poiché rappresentano una potenziale fonte di pericolo.

2. Rottamazione/Smaltimento

L'apparecchio è prodotto con materiale riciclabile. Questo apparecchio è conforme alla Direttiva Europea 2002/96/CE sui Rifiuti da Apparecchiature Elettriche ed Elettroniche (RAEE). Garantendo il corretto smaltimento di questo apparecchio, si può contribuire a prevenire conseguenze potenzialmente negative per l'ambiente e la salute delle persone.

Il simbolo  sull'apparecchio, o sui documenti di accompagnamento, indica che questo apparecchio non deve essere trattato come i normali rifiuti domestici, ma deve essere portato in un centro di raccolta speciale per il riciclaggio di apparecchiature elettriche ed elettroniche. Per rottamare l'apparecchio, renderlo inutilizzabile tagliando il cavo di alimentazione e rimuovendo gli sportelli e i ripiani, in modo che i bambini non possano arrampicarsi all'interno e rimanere intrappolati.

Rottamare l'apparecchio nel rispetto delle norme locali sullo smaltimento dei rifiuti, portandolo in un apposito centro di raccolta; non lasciare l'apparecchio incustodito nemmeno per qualche giorno, poiché costituisce una potenziale fonte di pericolo per i bambini. Per ulteriori informazioni sul trattamento, il recupero e il riciclaggio di questo prodotto, contattare l'ufficio locale competente, il servizio di raccolta dei rifiuti domestici o il punto vendita presso il quale è stato acquistato l'apparecchio.

Dichiarazione di conformità

- Questo apparecchio è stato progettato per la conservazione di alimenti ed è stato realizzato in conformità al Regolamento (CE) n. 1935/2004.



- Questo apparecchio è stato progettato, fabbricato e venduto in conformità con:
 - gli obiettivi di sicurezza della Direttiva "Bassa Tensione" 2014/35/UE (che sostituisce la direttiva 2006/95/CE e successive modifiche);

- i requisiti di protezione della Direttiva "CEM" 2014/30/UE.
- Questo apparecchio è stato progettato, fabbricato e venduto in conformità con:
 - Normative sulla compatibilità elettromagnetica 2016
 - Normative (di sicurezza) sulle apparecchiature elettriche 2016



Garanzia IKEA

Quanto dura la garanzia IKEA?

La garanzia è valida per **2 anni** a partire dalla data di acquisto, salvo disposizioni diverse previste dalla legislazione nazionale. In Norvegia, Portogallo e Spagna, la presente garanzia è valida per 3 anni a partire dalla data di consegna al cliente, salvo disposizioni diverse previste dalla legislazione nazionale. È necessario esibire lo scontrino originale come documento comprovante l'acquisto. Eventuali interventi di assistenza effettuati durante la garanzia non ne estenderanno la validità.

Chi fornisce il servizio?

Il fornitore di servizi IKEA fornirà questo servizio attraverso il proprio servizio assistenza o una rete di partner autorizzati.

Cosa copre questa garanzia?

La garanzia copre i difetti dell'apparecchio causati da vizi di fabbricazione (difetti funzionali), a partire dalla data di acquisto/consegna dello stesso apparecchio. Questa garanzia è applicabile solo all'uso domestico. Eventuali eccezioni sono descritte alla voce "Cosa non è coperto dalla garanzia?". Durante il periodo di validità della garanzia, saranno coperti tutti i costi di riparazione, inclusi ad esempio pezzi di ricambio, manodopera e trasferte del personale tecnico, fermo restando che l'accesso all'apparecchio per l'intervento di riparazione non comporti spese particolari. In simili condizioni, si applicano le linee guida UE (N. 99/44/CE) e le rispettive normative locali. I componenti sostituiti diventano proprietà di IKEA.

Come interverrà IKEA per risolvere il problema?

Il fornitore di servizi nominato da IKEA esaminerà il prodotto e deciderà, a sua esclusiva discrezione, se è coperto dalla garanzia. Se l'apparecchio è coperto dalla garanzia, il fornitore di servizi IKEA deciderà a sua sola discrezione se riparare il prodotto difettoso o sostituirlo con un altro prodotto uguale o con uno simile.

Cosa non è coperto dalla garanzia?

- Normale usura.
- Danni provocati deliberatamente, danni provocati dalla mancata osservanza delle istruzioni di funzionamento, da un'installazione non corretta o in seguito a collegamento a un voltaggio errato. Danni provocati da reazioni chimiche o elettrochimiche, ruggine, corrosione o danni causati da acqua, inclusi i danni causati dalla presenza di eccessivo calcare nelle condutture idriche. Danni causati da eventi atmosferici e naturali.
- Le parti soggette ad usura, incluse batterie e lampadine.
- Danni a parti non funzionali e decorative che non influiscono sul normale uso dell'apparecchio, inclusi graffi e differenze di colore.
- Danni accidentali causati da corpi o sostanze estranee e danni causati da pulizia o eliminazione di ostruzioni da filtri, sistemi di scarico o cassette del detersivo.
- Danni ai seguenti componenti: vetroceramica, accessori, cestelli per posate e stoviglie, tubi di alimentazione e di scarico, guarnizioni, lampadine e copri lampadine, griglie, manopole, rivestimenti e parti del rivestimento. A meno che non si possa provare che tali danni siano stati causati da errori di fabbricazione.
- Casi in cui non è stato riscontrato alcun guasto durante l'intervento del tecnico.
- Riparazioni non eseguite dal nostro servizio assistenza autorizzato e/o da un partner contrattuale di assistenza autorizzato o in caso di uso di ricambi non originali.
- Riparazioni necessarie in seguito ad un'installazione non corretta o non conforme alle specifiche.
- Casi di uso improprio e/o non domestico dell'apparecchio, ad es. un uso professionale.

- Danni derivanti dal trasporto. Qualora sia il cliente a trasportare il prodotto alla propria abitazione o ad altro indirizzo, IKEA non è responsabile per eventuali danni che potrebbero verificarsi durante il trasporto. Tuttavia, qualora sia IKEA ad effettuare il trasporto del prodotto all'indirizzo del cliente, eventuali danni causati al prodotto durante la consegna saranno coperti da IKEA.
- Costi inerenti la prima installazione dell'apparecchio IKEA. Tuttavia, qualora un fornitore di servizi IKEA o un suo partner autorizzato ripari o sostituisca l'apparecchio nei termini della presente garanzia, il fornitore o il partner autorizzato reinstalleranno l'apparecchio riparato o installeranno l'apparecchio in sostituzione, se necessario.

Queste limitazioni non si applicano ai lavori eseguiti correttamente da uno specialista qualificato che utilizza i nostri pezzi di ricambio originali per adattare l'apparecchio alle specifiche tecniche di sicurezza di un altro paese dell'UE.

Applicazione delle leggi nazionali

La garanzia IKEA conferisce al cliente diritti legali specifici che coprono o eccedono i diritti previsti dalla legge dei singoli paesi. Tali condizioni non limitano tuttavia in alcun modo i diritti del consumatore definiti dalle leggi locali.

Ambito di validità

Per gli elettrodomestici acquistati in un paese europeo e trasferiti in un altro paese europeo, i servizi saranno forniti in base alle condizioni di garanzia applicabili nel nuovo paese.

L'obbligo di fornire il servizio in base alle condizioni della garanzia esiste solo se l'apparecchio è conforme ed è installato secondo:

- le specifiche tecniche del paese in cui viene richiesta l'applicazione della garanzia;
- le informazioni sulla sicurezza contenute nelle istruzioni di assemblaggio e nel manuale dell'utente.

Servizio post-vendita dedicato per gli elettrodomestici IKEA

Non esitare a contattare il servizio post-vendita IKEA per:

- richiedere assistenza tecnica ai sensi della garanzia;
- chiedere chiarimenti in merito all'installazione di un elettrodomestico come parte di una cucina dedicata IKEA.
- richiedere informazioni sul funzionamento degli elettrodomestici IKEA.

Per assicurarvi la migliore assistenza, vi preghiamo di leggere attentamente le istruzioni di assemblaggio e/o il manuale di istruzioni del prodotto prima di contattarci.

Come contattarci se avete bisogno di assistenza



I numeri di telefono dei fornitori di servizi post-vendita nominati da IKEA sono riportati alla fine del presente manuale.

- ① **Al fine di fornirvi un servizio più rapido, raccomandiamo di utilizzare i numeri di telefono specifici elencati nel presente manuale. Utilizzare sempre i numeri elencati nel manuale d'uso dell'apparecchio specifico per il quale si richiede assistenza. Ricordarsi di fornire il codice prodotto a 8 cifre e il numero di serie a 22 cifre riportati sulla targhetta di identificazione dell'apparecchio.**

- ① **CONSERVARE LO SCONTRINO FISCALE!**
Lo scontrino è la prova del vostro acquisto ed è necessario esibirlo affinché la garanzia sia valida. Sullo scontrino sono riportati anche il nome e il codice articolo IKEA (8 cifre) per ogni apparecchio acquistato.

Avete bisogno di ulteriore aiuto?

Per qualunque informazione non relativa all'assistenza vi preghiamo di far riferimento al Servizio Cliente del punto vendita IKEA di riferimento. Vi preghiamo di leggere attentamente la documentazione tecnica relativa all'apparecchio prima di contattarci.

Informazioni sulle parti di ricambio

- Le seguenti parti di ricambio: termostati, sensori di temperatura, circuiti stampati e sorgenti luminose, saranno disponibili per i riparatori professionisti per un periodo minimo di sette anni, dopo l'immissione sul mercato dell'ultima unità del modello.
- Le seguenti parti di ricambio: maniglie degli sportelli, cerniere degli sportelli, vaschette e cestelli saranno disponibili per i riparatori professionali e gli utenti finali per un periodo minimo di sette anni, mentre le guarnizioni degli sportelli per un periodo minimo di 10 anni, dopo l'immissione sul mercato dell'ultima unità del modello.

Le parti di ricambio sono reperibili al seguente sito:
www.ikea.com

Indhold

Oplysninger om sikkerhed	54	Daglig brug	59
Sikkerhedsvejledning	55	Rengøring og vedligeholdelse	59
Installation	57	Fejlfinding	60
Første brug	58	Tekniske oplysninger	62
Beskrivelse af produktet	58	Miljøhensyn	62
Betjening	58	IKEAs garanti	63

Oplysninger om sikkerhed

Før installation og brug af apparatet bedes du læse den medfølgende brugsanvisning omhyggeligt. Producenten kan ikke holdes ansvarlig, hvis forkert installation eller brug medfører personskade eller andre skader. Opbevar altid brugsanvisningen sammen med apparatet, så den kan læses i fremtiden.

Sikkerhed for børn og udsatte personer



ADVARSEL: Risiko for brand/brændbare materialer

- Dette apparat kan anvendes af børn fra 8 år og opefter og af personer med nedsatte fysiske, sensoriske eller psykiske evner, eller som mangler den nødvendige erfaring og viden, hvis de er under opsyn eller har modtaget undervisning i, hvordan apparatet kan bruges på sikker måde, og hvis de har forstået de medfølgende farer. Lad ikke børn lege med apparatet. Rengøring og vedligeholdelse må ikke udføres af børn uden opsyn. Børn bør overvåges for at sikre, at de ikke leger med apparatet.
- Apparatet kan bruges af børn i aldersgruppen 3-8 år og af personer med omfattende og komplekse handicaps, hvis de har modtaget forsvarlig undervisning.
- Børn under 3 år må ikke komme i nærheden af apparatet, medmindre de er under konstant opsyn.
- Lad ikke børn lege med apparatet.
- Børn må ikke rengøre eller udføre vedligeholdelse på apparatet uden opsyn.
- Børn i aldersgruppen 3-8 år må sætte ting ind i og tage ting ud af køleapparater.

- Hold al emballage uden for børns rækkevidde, og bortskaf emballagen på korrekt vis.

Generelt om sikkerhed

- Apparatet er beregnet til husholdningsbrug eller lignende anvendelser, eksempelvis:
 - personalekøkkener i butikker, kontorer og andre arbejdsmiljøer;
 - på gårde og af kunder på hoteller, moteller og andre boligmiljøer;
 - kroer og lignende miljøer;
 - catering eller lignende anvendelser inden for engrosområdet.
- **ADVARSEL:** Sørg for at holde ventilationsåbninger på apparatet eller i indbygningselementer fri for forhindringer.
- **ADVARSEL:** Brug ikke mekaniske redskaber eller andre hjælpemidler til at fremskynde optøningen, medmindre de er anbefalet af producenten.
- **ADVARSEL:** Undgå at beskadige kølekredsløbet.
- **ADVARSEL:** Brug ikke elektriske apparater inden i køleskabet, med mindre de er af en type, som producenten anbefaler.
- **ADVARSEL:** Sprøjt ikke vand eller damp ind i apparatet for at rengøre det.
- **ADVARSEL:** Rengør apparatet med en fugtig, blød klud. Brug kun neutrale rengøringsmidler. Brug ikke slibende produkter, skuresvampe, opløsningsmidler eller metalgenstande.

- **ADVARSEL:** Opbevar ikke eksplosive materialer som fx aerosolbeholdere med brændbar drivgas i dette apparat.
- **ADVARSEL:** Hvis netledningen er beskadiget, skal den udskiftes af producenten, dennes autoriserede servicecenter eller tilsvarende kvalificerede personer for at undgå fare.
- **ADVARSEL:** Kontrollér, at netledningen ikke sidder i klemme eller er beskadiget, når du placerer apparatet.
- **ADVARSEL:** Placér ikke stikdåser med flere stik eller bærbare strømforsyninger bag apparatet.
- Åbning af døren i længere perioder kan medføre en betydelig forøgelse af temperaturen i apparatets rum.
- Rengør regelmæssigt overflader, der kan komme i kontakt med madvarer, og tilgængelige afløbssystemer.
- Rengør vandbeholdere, hvis de ikke har været anvendt i 48 timer. Skyl vandsystemet tilsluttet en vandforsyning, hvis der ikke er tappet vand i 5 dage.
- Opbevar rått kød og fisk i egnede beholdere i køleskabet for at undgå kontakt med eller dryp på andre madvarer.
- Hvis køleapparatet er tomt i en længere periode, skal du slukke apparatet, afrime, rengøre, tørre apparatet samt lade døren stå åben for at forhindre dannelse af mug i apparatet.
- Køleapparatet er ikke egnet til indfrysning af madvarer.
- Køleskabet er ikke egnet til indbygning.
- Rum med to stjerner til frosne madvarer er egnede til opbevaring af frosne madvarer, opbevaring eller tilberedning af is og frysning af isterninger.
- Rum med henholdsvis en, to eller tre stjerner er ikke egnede til indfrysning af friske madvarer.
- **ADVARSEL:** Apparatet skal fastgøres i henhold til instruktionerne for at undgå fare på grund af ustabilitet.

Sikkerhedsvejledning

Installation

- **ADVARSEL!** Apparatet må kun installeres af en kvalificeret person.
- Fjern al emballagen.
- Undlad at installere eller bruge et beskadiget apparat.
- Følg installationsvejledningen, der følger med apparatet.
- Vær altid forsigtig ved flytning af apparatet, der er tungt. Brug altid sikkerhedshandsker og lukket fodtøj.
- Pas på ikke at beskadige gulvet (f.eks. parketgulv), når du flytter apparatet.
- Kontrollér, at apparatet ikke er i nærheden af en varmekilde.
- Apparatet skal installeres og nivelleres på et gulv, der kan bære dets vægt, og et egnet sted til apparatets størrelse og brug.
- Sørg for, at luften kan cirkulere frit omkring apparatet.
- Vent mindst 4 timer ved den første installation eller efter vending af døren, før apparatet tilsluttes strømforsyningen. Dette er for, at olien kan løbe tilbage i kompressoren.
- Træk stikket på netledningen ud af stikkontakten, før der udføres handlinger på apparatet (fx vending af døren).

- Apparatets bagside skal anbringes mod væggen.
- Installér ikke apparatet på et sted med direkte sollys.
- Installér ikke apparatet i områder med for høj fugtighed eller kulde som f.eks. vinkældre.

Elektrisk tilslutning

- **ADVARSEL!** Risiko for brand og elektrisk stød.
- **ADVARSEL!** Kontrollér, at netledningen ikke sidder i klemme eller er beskadiget, når du placerer apparatet.
- **ADVARSEL!** Brug ikke adaptere med flere stik eller forlængerledninger.
- Apparatet skal tilsluttes strøm m/jord.
- Kontrollér, at specifikationerne på typepladen er kompatible med de elektriske nominelle værdier for elnettet.
- Brug altid en korrekt installeret og stødsikker stikkontakt.
- Pas på ikke at beskadige de elektriske dele (fx netstik, netledning, kompressor). Kontakt det autoriserede servicecenter eller en elektriker for udskiftning af de elektriske dele.
- Netledningen skal befinde sig under netstikkets niveau.

- Sæt først stikket i stikkontakten, når installationen er helt fuldført. Sørg for, at der er fri adgang til stikket efter installationen.
- Undgå at trække i netledningen for at slukke apparatet. Træk altid kun i selve stikket.
- Kun Storbritannien og Irland:
Apparatet er udstyret med et stik til elnettet på 13 A. Brug kun en sikring på 13 A ASTA (BS 1362), hvis sikringen på stikket skal udskiftes.

Brug

⚠ ADVARSEL! Risiko for personskade, forbrændinger, elektrisk stød eller brand.



Rørene i kølekredsløbet indeholder en lille mængde af det miljøvenlige men brandfarlige kølemiddel R600a. Det beskadiger ikke ozonlaget og forøger ikke drivhuseffekten. Hvis kølemidlet slipper ud, kan det skade dine øjne eller bryde i brand. Beskadig ikke rørene.

- Kompressorens overflade kan blive varm ved normal drift. Rør ikke ved den med hænderne.
- Foretag ingen ændringer af apparatets specifikationer.
- Sæt ingen elektriske apparater (f.eks. ismaskiner) ind i apparatet, medmindre producenten har angivet det som egnet.
- Hvis der opstår skade på kølekredsløbet, skal du sikre dig, at der ikke er åben ild eller antændelseskilder i rummet. Sørg for udluftning af rummet.
- Lad ikke varme genstande komme i berøring med apparatets plastdele.
- Opbevar ikke drikkevarer i flasker i frostrummet for at undgå, at flasken springer, eller der opstår andre skader.
- Opbevar ikke brandfarlige gasser eller væsker i apparatet.
- Anbring ikke brændbare produkter eller genstande, der er fugtet med brændbare produkter, i eller i nærheden eller på apparatet.
- Berør ikke kompressoren eller kondensatoren. De er varme.
- Undgå at fjerne eller røre ved genstande fra rummet til frosne madvarer, hvis du har våde eller fugtige hænder.
- Slug ikke indholdet (ikke-toksisk) i isposerne.
- Du må ikke spise isterninger eller ispinde, så snart du tager dem ud af fryseren, da de kan medføre forfrysninger.
- Optøet mad må ikke lægges tilbage i rummet til frosne madvarer.
- Følg opbevaringsinstruktionerne på pakken med fødevarerprodukter.

Indvendigt lys

⚠ ADVARSEL! Risiko for elektrisk stød.

- Pæren inden i apparatet er specielt designet til husholdningsapparater og er ikke egnet til generel rumbelysning i boliger (EU-forordning 2019/2020).

Rengøring og vedligeholdelse

⚠ ADVARSEL! Risiko for personskade eller skade på apparatet.

- Før der foretages vedligeholdelse, skal apparatet slukkes, og stikket trækkes ud af stikkontakten.
- Apparatet indeholder kulbrinter i kølesystemet. Kun en kvalificeret person må udføre vedligeholdelse og påfyldning af kølemiddel.
- Undersøg vandafløbet fra apparatet regelmæssigt og rengør det efter behov. Hvis vandafløbet er blokeret, samler afrimningsvandet sig i bunden af apparatet.

Service

- Kontakt et autoriseret servicecenter på listen bagerst i vejledningen for reparation af apparatet.
- Brug kun originale reservedele.

Bortskaffelse

⚠ ADVARSEL! Risiko for personskade eller kvælning.

- Tag opvaskemaskinens stik ud af stikkontakten.
- Klip ledningen af og smid den væk.
- Fjern dørene for at forhindre, at børn og husdyr kan blive lukket inde i apparatet.
- Kredsløbet til kølemidlet og isoleringsmaterialerne i apparatet er miljøvenlige.
- Isoleringsskummet indeholder brændbar gas. Kontakt din kommune for yderligere oplysninger om, hvordan apparatet kan bortskaffes på korrekt måde.
- Undgå at beskadige den del af køleenheden, der befinder sig i nærheden af varmeveksleren.

Producenten fraskriver sig alt ansvar for skader på personer, dyr eller ejendom, hvis ovenstående råd og forholdsregler ikke overholdes.

Installation

⚠ ADVARSEL! Inden du installerer apparatet, skal du læse sikkerhedsoplysningerne i denne brochure omhyggeligt.

Tjekliste for installation

Dør

- Dør lukker helt tæt til skab på alle sider
- Dør er i niveau

Indstilling

- Køleskabet er i niveau

Strøm

- Vent i 4 timer
- Strøm i bolig tændt
- Køleskab tilsluttet stikkontakt

Slutkontroller

- Emballagemateriale er fjernet
- Køleskabstemperatur indstillet

Opstilling

- Følg den særskilte samlingsvejledning for at installere apparatet.
- Installér apparatet et sted, hvor rumtemperaturen svarer til klimaklassen angivet på enhedens typeskilt. Det sikrer korrekt drift af apparatet. Klimaklasser beskrives som følger:

Klimaklasse	Interval for omgivelsestemperatur
SN	10-32 °C
N	16-32 °C
ST	16-38 °C
T	16-43 °C

- "SN" angiver, at køleskabet kan bruges i et rum med et temperaturinterval på 10-32 °C.
- "N" angiver, at køleskabet kan bruges i et rum med et temperaturinterval på 16-32 °C.
- "ST" angiver, at køleskabet kan bruges i et rum med et temperaturinterval på 16-38 °C.
- "T" angiver, at køleskabet kan bruges i et rum med et temperaturinterval på 16-43 °C.

ⓘ Nogle funktionsproblemer kan opstå i visse apparatmodeller, når de fungerer uden for de angivne temperaturintervaller. Der kan kun garanteres korrekt drift inden for de angivne temperaturintervaller.

Ret henvendelse til sælgeren, vores kundeservice eller til det nærmeste autoriserede servicecenter, hvis du har spørgsmål om installationen.

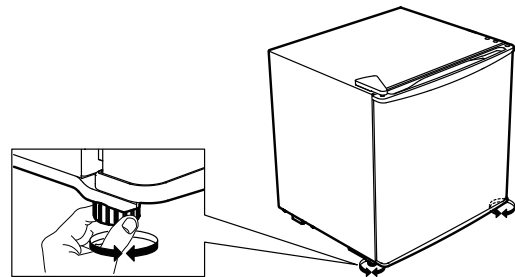
Placering

For at sikre den bedste ydelse skal apparatet installeres i god afstand fra varmekilder som f.eks. radiatorer, kedler, og direkte sollys. Sørg for, at luften kan cirkulere frit omkring kabinettets bagside.

Indstilling af produktet i vater

Hvis apparatet står en smule skævt, skal du justere de to fødder på forsiden af apparatet for at bringe apparatet i vater. Se detaljerede instruktioner i samlingsvejledningen.

1. Træk stikket på apparatets netledning ud af stikkontakten.
2. Drej foden med uret for at hæve apparatet. Drej foden mod uret for at sænke apparatet.



Rengør apparatet

Inden du tager apparatet i brug første gang, skal du rengøre det for at fjerne den typiske lugt, det har, når det er helt nyt.

1. Sørg for, at ledningen til apparatet er trukket ud af stikkontakten.
2. Aftør indvendigt med en blød, fugtig klud.
3. Vask det interne tilbehør med lunkent vand og noget neutralt rengøringsmiddel, og tør grundigt derefter.

FORSIGTIG!

Brug ikke slibende, kloridholdige eller syrlige rengøringsmidler eller opløsningsmidler.

- Brug ikke skurende eller slibende svampe. Metaloverfladerne kan korroderes.
- Rengør aldrig tilbehøret i opvaskemaskinen. De kan blive deformet.

Elektrisk tilslutning

⚠ FORSIGTIG! Eventuelt elarbejde, der kræves for at installere apparatet, skal udføres af en autoriseret elektriker eller en kompetent person.

⚠ ADVARSEL! Apparatet skal jordforbindes. Manglende overholdelse af disse anvisninger kan medføre død, brand eller elektrisk stød.

Producenten påtager sig intet ansvar, hvis sikkerhedsforanstaltningerne ikke overholdes. Dette apparat overholder forskrifterne i EØF-direktiverne.

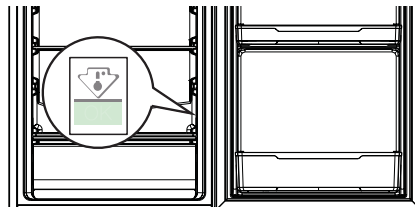
Første brug

Slut apparatet til strømforsyningen. De ideelle temperaturer til opbevaring af madvarer er allerede indstillet fra fabrikken (middelværdier).

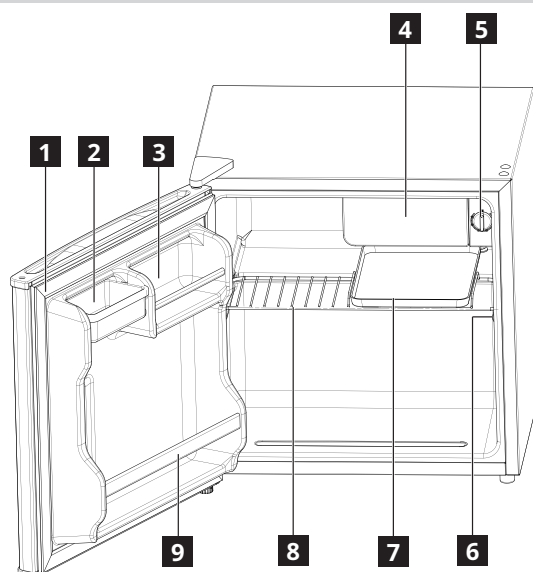
Bemærk: Når apparatet tændes, skal det køre i 4-5 timer for at nå den korrekte temperatur med henblik på opbevaring af et typisk indhold af madvarer.

Vigtigt!

I henhold til bestemmelser i visse lande skal apparatet være udstyret med en speciel enhed (se figuren nedenfor) i den nederste del af køleskabsrummet, der viser den koldeste zone i skabet.



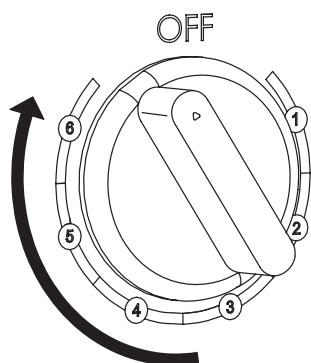
Beskrivelse af produktet



- 1** Dørpakning
- 2** Opbevaringsrum
- 3** Dåseholder
- 4** Kølerum

- 5** Termostatknop
- 6** Typeskilt
- 7** Afrimningsbakke
- 8** Hylde
- 9** Flaskeholder

Betjening



Sådan tændes apparatet

Sæt stikket i en stikkontakt, og justér temperaturen. Apparatet tænder og begynder at køre.

Indstilling af temperaturen

Temperaturen reguleres automatisk. Sådan indstiller du temperaturen:

- Drej temperaturregulatoren mod en lavere indstilling for at reducere kulden.
- Drej temperaturregulatoren mod en højere indstilling for at øge kulden.

i Normalt er det passende at indstille til en mellemindstilling.

Justér temperaturindstillingen, og husk på, at temperaturen i apparatet afhænger af:

- rumtemperatur
- hvor ofte døren åbnes
- mængden af opbevarede madvarer
- apparatets placering.

Vigtigt! Hvis omgivelsestemperaturen er høj, eller hvis apparatet er helt fyldt op, og det er indstillet til den laveste temperatur, kan det køre konstant, hvilket kan medføre, at der dannes is på bagvæggen. I dette tilfælde skal der indstilles en højere temperatur for at give mulighed for automatisk afrimning og dermed lavere energiforbrug.

Daglig brug

Råd om køling af friske madvarer

- Læg låg på maden eller dæk den til, især hvis den har en stærk smag;
- Placér madvarerne således, at luften kan cirkulere frit omkring maden.
- Efterlad tilstrækkelig plads i køleskabsrummet, så luften kan cirkulere rundt om pakkerne. Derved opnår du den bedste ydeevne. Sørg også for, at der er tilstrækkeligt frirum forrest i køleskabet, så døren kan lukke helt til.
- Sæt ikke varm mad eller dampende væsker i køleskabet;
- Tilberedte madvarer og kolde retter: Tildækkes og placeres på en vilkårlig hylde.
- Frugt og grøntsager: Rengøres grundigt, og placeres i grøntsagsskuffen. Bananer, kartofler, løg og hvidløg må ikke opbevares i køleskabet, medmindre de er indpakke.
- Smør og ost: Placeres i særlige lufttætte beholdere eller pakkes ind i aluminiumsfolie eller plastposer for at reducere luftmængden så meget som muligt.
- Flasker: Lukkes med propper og placeres i dørhylderne.

Tips til energibesparelse

- Installér apparatet i et tørt, veludluftet rum langt væk fra eventuelle varmekilder (f.eks. varmeapparat, komfur osv.) og et sted, der ikke er udsat for direkte sollys. Brug om nødvendigt en isoleringsplade.

Rengøring og vedligeholdelse

Generelle tips

- Rengør apparatet regelmæssigt med en klud og en opløsning af varmt vand og et neutralt rensmiddel, der er specielt beregnet til brug indvendigt i køleskabe. Brug ikke slibende rengøringsmidler eller værktøjer.

Tips:

- Jo lavere temperaturen er, desto længere kan du opbevare madvarerne sikkert, og desto mere strøm bruger apparatet.
- Jo højere temperaturen er, desto hurtigere fordæres de opbevarede madvarer, og desto mindre strøm bruger apparatet.

Sådan slukkes apparatet

Du slukker apparatet ved at dreje knappen for temperaturregulatoren, så den peger på positionen "OFF", og derefter trække stikket ud af stikkontakten.

- Følg installationsvejledningen for at sikre tilstrækkelig ventilation.
- Utilstrækkelig ventilation på bagsiden af produktet forøger energiforbruget og reducerer køleeffektiviteten.
- Apparatets indvendige temperaturer kan påvirkes af omgivelsestemperaturen, hvor hyppigt døren åbnes samt apparatets placering. Temperaturindstilling bør tage højde for disse faktorer.
- Lad varme madvarer og drikkevarer køle ned, før du stiller dem i apparatet.
- Blæseren (hvis tilgængelig) må ikke blokeres med madvarer.
- Når du har placeret eller fjernet madvarer, skal du sikre dig at lukke døren korrekt, især fryserdøren.
- Åbn døren så lidt som muligt.
- Når du optør frosne madvarer, skal du anbringe dem i køleskabet. Den lave temperatur på de frosne produkter køler madvarerne i køleskabet.
- Hyldernes placering i køleskabet har ingen indvirkning på det effektive energiforbrug. Madvarer bør placeres på hylderne på en måde, der sikrer korrekt luftcirkulation (madvarer må ikke rører hinanden, og der skal holdes en afstand mellem madvarer og bagvæggen).
- Beskadigede pakninger skal udskiftes så snart som muligt.

- Inden apparatet serviceres eller rengøres, skal du trække apparatets stik ud af stikkontakten eller afbryde strømforsyningen.

FORSIGTIG! Køleskabets tilbehør må ikke stilles i en opvaskemaskine.

Afrimning af apparatet

- Afrim apparatet, når islaget på overfladen af fordamperen bliver 3-4 mm tykt.
- Inden du afrimmer, skal du tage alle madvarer ud og slukke apparatet. Anbring afrimningsbakken under fordamperen for at opsamle smeltet vand.
- Når al is er smeltet, skal du hælde det smeltede vand ud, tørre apparatet indvendigt med en tør klud og tænde apparatet igen.

Hvis apparatet ikke bruges i en længere periode

1. Sluk apparatet.
2. Træk ledningen til apparatet ud af stikkontakten.
3. Fjern al maden.
4. Afrim og rengør apparatet.
5. Lad dørene stå åben lige nok, så luften kan cirkulere inde i rummene. Dette forhindrer dannelsen af mug og ubehagelige lugte.

I tilfælde af en strømafbrydelse

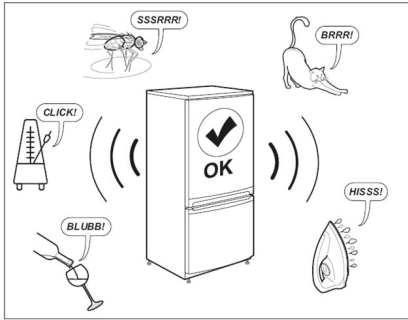
- Hold apparatets døre lukkede. Dette gør det muligt at holde madvarerne kolde så længe som muligt.

Fejlfinding

Problem	Mulig årsag	Løsning
Apparatet virker ikke.	Apparatet er slukket.	Tænd for apparatet.
	Stikket er ikke sat rigtigt i stikkontakten.	Sæt stikket helt ind i stikkontakten.
	Der er ingen strøm i stikkontakten.	Du finder ud af, om stikkontakten fungerer, ved at slutte et andet elektrisk apparat til den. Kontakt en kvalificeret elektriker for at reparere stikkontakten.
Apparatet støjer.	Apparatet er ikke placeret stabilt.	Indstil produktet i vater. Se under "Indstilling af produktet i vater" eller den særskilte samlingsvejledning.
Kompressoren kører konstant.	Den indstillede temperatur er for lav.	Indstil en højere temperatur. Se under "Betjening".
	Der blev lagt mange madvarer ind i skabet på samme tid.	Vent nogle timer, og kontrollér så temperaturen igen.
	Stuetemperaturen er for høj.	Opstil apparatet et andet sted, hvis det er muligt. Se under "Opstilling".
	Madvarerne, som du har anbragt i køleskabet, var for varme.	Lad madvarerne afkøle til stuetemperatur, før du lægger dem ind.
	Døren er ikke lukket rigtigt.	Se under "Lukning af døren".
Temperaturen i køleskabet er for lav/ høj.	Temperaturen blev ikke indstillet korrekt.	Indstil en højere/lavere temperatur.
	Døren er ikke lukket rigtigt.	Se under "Lukning af døren".
	Madvarerne, som du har anbragt i køleskabet, var for varme.	Lad madvarerne afkøle til stuetemperatur, før du lægger dem ind.
	Der blev lagt mange madvarer ind i skabet på samme tid.	Læg færre madvarer ind på samme tid.
	Rimens tykkelse er over 4-5 mm.	Afrim apparatet.
	Døren er åbnet for ofte.	Åbn kun døren, når det er nødvendigt.
	Der cirkulerer ikke nok kold luft i apparatet.	Omplacér madvarerne således, at luften kan cirkulere frit i apparatet.
Døren lukker ikke helt.	Se under "Lukning af døren".	Se under "Lukning af døren".

Normal støj

Det er normalt for kølesystemet at afgive nogle lyde, f.eks. gurglende lyd og hvislende lyd.



Lukning af døren

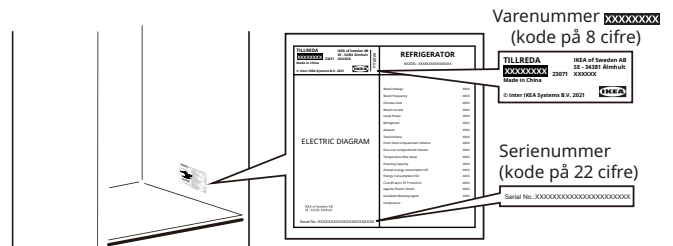
Hvis	Gør dette
Dørpakningerne er snavsede.	Rengør dem.
Dørpakningerne er beskadigede.	Kontakt eftersalgsservice for at udskifte dem.
Døren er blokeret af hylder, skuffer, madvarer osv.	Placér genstandene korrekt, eller fjern de genstande, der blokerer døren.
Apparatet er ikke i niveau.	Indstil produktet i vater. Se under "Indstilling af produktet i vater" eller den særskilte samlingsvejledning.
Døren flugter ikke med kabinettet.	Justér døren. Se den særskilte samlingsvejledning.

Før du kontakter eftersalgsservice:

Genstart apparatet for at se, om fejlen er udbedret. Hvis problemet fortsætter, skal du slukke apparatet igen og gentage handlingen efter en time. Hvis apparatet stadig ikke fungerer korrekt, efter at kontrollerne, der er anført i fejlfindingsvejledningen, er udført og du har tændt for apparatet igen, skal du kontakte eftersalgsservicen. Forklar tydelig problemet, og præcisér:

- problemets art
- købsdato
- apparatets model og serienummer

ⓘ Varenummer og serienummer vises på typeskiltet på apparatets indvendige højre side.



Billede er kun til reference


Tekniske oplysninger

Produktkategori	
Produkttype	Køleskab
Installationstype	Fritstående
Produktmål	
Højde	492 mm
Bredde	472 mm
Dybde	450 mm
Nettorumfang	
Køleskab	43,0 l
Afrimningssystem	
Køleskab	Manuel
Andre specifikationer	
Antal stjerner	-
Afrimningstid	-
Energiforbrug	80 kWh/år
Støjniveau	41 dB(A)
Energiklasse	E
Nominal spænding	220-240 V~
Nominal frekvens	50 Hz
Lyskilde i energieffektivitetsklasse	-

Bemærk: Oplysninger om produktet i produkt databasen kan tilgås ved at scanne QR-koden på EPREL-mærkaten.

Miljøhensyn

1. Emballage

Genbrugsmaterialer er mærket med symbolet . Læg emballagen i dertil beregnede containere med henblik på genbrug.

Hold emballagematerialer (plastikposer, polystyrendele osv.) utilgængeligt for børn, da de er en potentiel farekilde.

2. Skrotning/bortskaffelse

Apparatet produceres med genbrugsmateriale. Apparatet er mærket i overensstemmelse med EU-direktiv 2002/96/EF om affald af elektrisk og elektronisk udstyr (WEEE). Du hjælper med at forhindre potentielle negative følger for miljøet og menneskers helbred, når du sikrer, at apparatet bortskaffes korrekt.

Symbolet  på apparatet eller i de medfølgende

dokumenter angiver, at apparatet skal behandles som husholdningsaffald, men det skal tages til et særligt samlingscenter, så elektrisk og elektronisk udstyr kan genbruges. Når apparatet skrottes, skal du gøre det ubrugeligt ved at skære strømkablet over og fjerne dørene og hylderne, så børn ikke nemt kan klatre ind og blive fanget.

Skrot apparatet i overensstemmelse med lokale bestemmelser om bortskaffelse af affald ved at tage det til et særligt samlingscenter. Apparatet må ikke engang efterlades uden opsyn i få dage, da det er en potentiel farekilde for børn.

Du kan få yderligere oplysninger om behandling, genvinding og genbrug af produktet ved at kontakte de ansvarlige lokale myndigheder, tjenesten for indsamling af husholdningsaffald eller butikken, hvor du købte apparatet.

Overensstemmelseserklæring

- Apparatet er designet til at holde madvarer friske og er fremstillet i overensstemmelse med forordning (EF) 1935/2004.
- Apparatet er designet, fremstillet og markedsført i overensstemmelse med:
 - sikkerhedsformålene i lavspændingsdirektiv 2014/35/EU (som erstatter 2006/95/EF og senere ændringer);



- beskyttelseskravene i EMC-direktiv 2014/30/EU.
- Apparatet er designet, fremstillet og markedsført i overensstemmelse med:
 - Forordning om elektromagnetisk kompatibilitet fra 2016
 - Forordning om elektrisk udstyr (sikkerhed) 2016

IKEAs garanti

Hvor længe gælder IKEA-garantien?

Garantien gælder i **2 år** fra købsdatoen, medmindre andet er angivet i den nationale lovgivning. I Norge, Portugal og Spanien gælder garantien i 3 år fra datoen for levering til kunden, medmindre andet er angivet i den nationale lovgivning. Den originale kvittering er påkrævet som bevis for købet. Hvis der udføres servicearbejde under garantien, vil det ikke forlænge garantiperioden for produktet.

Hvem står for servicen?

IKEA's serviceudbyder yder service gennem sin egen servicevirksomhed eller netværk af autoriserede servicepartnere.

Hvad er dækket under denne garanti?

Garantien dækker fejl på produktet, der skyldes materiale- eller produktionsfejl, fra datoen for købet hos IKEA. Denne garanti gælder kun i forbindelse med husholdningsbrug. Undtagelserne er specificeret under overskriften "Hvad er ikke dækket af garantien?" Inden for garantiperioden dækkes omkostningerne i forbindelse med udbedring af fejlen dvs. reparationer, reservedele, arbejds løn og transport, såfremt produktet er til rådighed for reparation uden særlige ekstraudgifter. På disse betingelser gælder EU-retningslinjerne (direktiv 99/44/EF) og de respektive lokale bestemmelser. Udskiftede dele tilfalder IKEA.

Hvad gør IKEA for at afhjælpe problemet?

En af IKEA udpeget serviceudbyder undersøger produktet og beslutter, efter udbyderens eget skøn, om problemet er dækket under garantien. Hvis problemet er dækket, vil den af IKEA udpegede serviceudbyder eller vedkommendes autoriserede servicepartner via sin egen servicevirksomhed, efter serviceudbyderens eget skøn, enten reparere det defekte produkt eller udskifte det med det samme eller et lignende produkt.

Hvad er ikke dækket af garantien?

- Normalt slid.
- Forsætlig eller uagtsom skade, skade forårsaget af manglende overholdelse af brugervejledningen, ukorrekt installation eller tilslutning til forkert spænding, skade forårsaget af en kemisk eller elektrokemisk reaktion, rust, korrosion eller vandskade, herunder men ikke begrænset til skade grundet for meget kalk i vandforsyningen samt skade forårsaget af unormale miljøforhold.
- Forbrugsstoffer herunder batterier og pærer.
- Ikke-funktionelle og dekorative dele, der ikke har nogen indflydelse på normal brug af produktet, herunder eventuelle ridser og mulige farveforskelle.
- Tilfældige skader forårsaget af fremmedlegemer eller stoffer samt rengøring eller fjernelse af tilstopninger i filtre, udløbssystemer eller sæbeskuffer.
- Skade på følgende dele: glaskeramik, tilbehør, kurve til kogegrej og bestik, tilløbs- og udløbsrør, pakninger, lamper og lampedæksler, skærme, knapper, beklædninger og dele af beklædninger. Medmindre det kan bevises, at disse skader skyldes produktionsfejl.
- Tilfælde, hvor der ikke konstateredes fejl under et teknikerbesøg.
- Reparationer, der ikke udføres af vores egen serviceleverandør og/eller en autoriseret servicepartner under kontrakt, eller hvor der er anvendt uoriginale reservedele.
- Reparationer på grund af fejlagtig installation, eller hvor specifikationerne ikke er overholdt.
- Brugen af produktet uden for almindelig husholdningsbrug, dvs. til professionel brug.
- Transportskader. Hvis en kunde selv transporterer produktet til sit hjem eller til en anden adresse, er IKEA ikke ansvarlig for nogen skade, der måtte opstå under transporten. Hvis IKEA derimod leverer produktet til kundens leveringsadresse, vil skader, der opstår under leveringen, blive dækket af IKEA.

- De installatiekosten voor het installeren van het IKEA-apparaat. Hvis en af IKEAs serviceleverandører eller deres autoriserede servicepartner reparerer eller udskifter maskinen under garantien, vil serviceleverandøren eller deres autoriserede servicepartner geninstallere produktet eller installere udskiftningsproduktet om nødvendigt.

Disse begrænsninger finder ikke anvendelse på fejlfrit arbejde, der er udført af en kvalificeret ekspert, der bruger originale dele med henblik på at tilpasse apparatet til de tekniske sikkerhedsspecifikationer i et andet EU-medlemsland.

Gældende lokal lovgivning

IKEAs garanti giver dig specifikke lovmæssige rettigheder, som dækker eller overstiger alle lokale juridiske krav, der kan være forskellige fra land til land. Disse betingelser begrænser på ingen måde forbrugerens rettigheder i medfør af gældende national lov.

Gyldighedsområde

For maskiner købt i et EU-land og medbragt til et andet EU-land vil serviceydelserne blive leveret i henhold til de garantibetingelser, der er gældende i det nye land.

Der eksisterer kun en forpligtelse til at udføre servicearbejde under garantien, hvis produktet overholder og er installeret i overensstemmelse med:

- De tekniske specifikationer i det land, hvor garantikravet fremsættes;
- Monteringsvejledningen og sikkerhedsoplysningerne i brugervejledningen.

EFTERSALG for IKEA's apparater

Du kan altid kontakte IKEA's udpegede udbydere af eftersalgsservice for at:

- anmode om service under garantien;
- bede om afklaringer vedrørende installation af IKEA's apparater i IKEA's køkkener;
- få præcisering omkring funktionaliteten af IKEA-produktet.

For at sikre, at vi yder dig den bedste assistance, bedes du venligst have læst monteringsvejledningen og/eller brugervejledningen omhyggeligt igennem, inden du kontakter os.

Hvordan kontakter du os i tilfælde af servicebehov?



Du kan finde telefonnumrene på de IKEA-udpegede udbydere af eftersalgsservice bagerst i vejledningen.

- ⓘ **Vi anbefaler, at du bruger telefonnumrene i vejledningen, så vi kan give dig en hurtigere service. Referér altid til telefonnumrene i brugervejledningen for det specifikke apparat, som du har brug for hjælp til. Husk at oplyse varenummeret på otte cifre og serienummeret på 22 cifre, der findes på typeskiltet på dit apparat.**

- ⓘ **GEM KØBSKVITTERINGEN!** Den er dit bevis på købet og er nødvendig for garantiens gyldighed. Købskvitteringen indeholder ligeledes IKEA navnet og produktnummeret (8-cifret kode) for hver produkt, der er købt.

Har du brug for ekstra hjælp?

For øvrige spørgsmål, der ikke vedrører service og/eller garanti på dit produkt, henviser vi til IKEA butikkens kundeservice. Vi anbefaler, at du læser dokumentationen til produktet omhyggeligt igennem, inden du kontakter os.

Oplysninger om reservedele

- Professionelle reparatører kan få følgende reservedele i mindst syv år efter, at den sidste enhed af modellen kom på markedet: termostater, temperatursensorer, printkort og lyskilder.
- Professionelle reparatører og slutbrugere kan få følgende reservedele i mindst syv år efter, at den sidste enhed af modellen kom på markedet: dørhåndtag, dørhængsler, bakker og kurve. For dørpakninger er minimumsperioden 10 år.

Reservedelene kan findes på: www.ikea.com

Innhold

Sikkerhetsinformasjon	65	Daglig bruk	70
Sikkerhetsinstruksjoner	66	Rengjøring og vedlikehold.....	70
Installasjon.....	68	Feilsøking	71
Første bruk	69	Teknisk informasjon	73
Produktbeskrivelse	69	Miljøinformasjon.....	73
Drift.....	69	IKEA-Garanti.....	74

Sikkerhetsinformasjon

Les instruksjonene nøye før du installerer og bruker apparatet. Produsenten er ikke ansvarlig dersom feil installasjon eller bruk forårsaker personskader eller skader. Oppbevar instruksjonene sammen med apparatet til senere bruk.

Sikkerhet for barn og utsatte personer



ADVARSEL: Risiko for brann / brennbare materialer

- Dette apparatet kan brukes av barn som er fylt 8 år og personer med reduserte fysiske, sensoriske eller psykiske evner eller personer som mangler erfaring og kunnskap, så lenge de er under tilsyn eller får instruksjoner i sikker bruk av apparatet og forstår risikoene forbundet med bruken. Barn skal ikke leke med apparatet. Barn må ikke rengjøre eller vedlikeholde apparatet uten tilsyn. Barn må ha tilsyn for å kontrollere at de ikke leker med apparatet.
- Dette apparatet kan brukes av barn mellom 3 og 8 år og personer med svært omfattende og sammensatte funksjonshemninger, så fremt de har mottatt tilstrekkelige instruksjoner.
- Barn under 3 år bør holdes unna med mindre de er under løpende tilsyn.
- Ikke la barna leke med apparatet.
- Barna skal ikke utføre rengjørings- og vedlikeholdsarbeid på apparatet uten tilsyn.
- Barn i alderen 3 til 8 år tillates å ta ting inn og ut av kjøleapparater.
- Oppbevar all innpakning utenfor barns rekkevidde, og avhend på riktig måte.

Generelt om sikkerhet

- Dette apparatet er beregnet for bruk i hjem og lignende, deriblant følgende:
 - personalkjøkken i butikker, kontor og andre arbeidsplasser;
 - gjestegårder og av gjester på hoteller, moteller eller andre overnattingsteder;
 - B&B-hoteller og lignende;
 - catering og lignende bruksområder.
- **ADVARSEL:** Sørg for at lufttilførselen i apparatets kabinett eller i den innebygde strukturen ikke blokkeres.
- **ADVARSEL:** Ikke bruk mekaniske enheter eller andre metoder for å fremskynde avisingsprosessen, med mindre de er anbefalt av produsenten.
- **ADVARSEL:** Du må ikke skade kretsen til kuldemediet.
- **ADVARSEL:** Ikke bruk elektriske apparater inne i apparatets oppbevaringsrom for mat, med mindre de er av en type som anbefales av produsenten.
- **ADVARSEL:** Ikke bruk vannspray eller damp til å rengjøre apparatet.
- **ADVARSEL:** Rengjør apparatet med en myk, fuktig klut. Bruk nøytrale rengjøringsmidler. Ikke bruk skuremidler, skrubber, løsemidler eller metallgjenstander.
- **ADVARSEL:** Du må ikke oppbevare eksplosiver, for eksempel aerosolflasker med lett antennelig drivstoff, i dette apparatet.

- **ADVARSEL:** Hvis strømtilførselen skades, må den erstattes av produsenten, et godkjent servicesenter eller tilsvarende kvalifiserte personer for å unngå potensielle farer.
- **ADVARSEL:** Når apparatet plasseres, må det sikres av strømledningen ikke trækkes på eller skades.
- **ADVARSEL:** Ikke plasser flere portable strømuttak eller portable strømforsyninger på baksiden av apparatet.
- Åpning av døren i lengre perioden kan forårsake betydelig temperaturøkning i apparatets indre kamre.
- Rengjør overflater som kan komme i kontakt med mat og tilgjengelige dreneringssystemer jevnlig.
- Tøm vanntanker dersom de ikke har blitt brukt på 48 timer. Spyl vannsystemet tilkoblet til en vannforsyning, dersom vannet ikke har blitt tappet på 5 dager.
- Oppbevar rått kjøtt og fisk i egnede beholdere i kjøleskapet, slik at det ikke kommer i kontakt med eller drypper på annen mat.
- Dersom kjøleapparatet står tomt i lengre perioder slås det av, avises, rengjøres, tørkes og etterlates med døren åpen for å unngå oppbygning av mugg inne i apparatet.
- Dette kjøleapparatet er ikke egnet for frysing av matvarer.
- Dette kjøleapparatet er ikke ment som et innbyggingsapparat.
- Tostjerners kamre for frossenmat er egnet for lagring av mat under opptining, samt lagring eller tilberedning av iskrem og isbiter.
- En-, to- og trestjerners kamre er ikke egnet for frysing av fersk mat.
- **ADVARSEL:** For å unngå fare grunnet ustabilitet med apparatet, må det festes i henhold til instruksjonene.

Sikkerhetsinstruksjoner

Installasjon

- **⚠ ADVARSEL!** Kun en kvalifisert person kan installere dette apparatet.
- Fjern all emballasjen.
- Du må ikke installere eller bruke et ødelagt apparat.
- Følg installasjonsinstruksjonene levert med apparatet.
- Vær forsiktig ved flytting av apparatet, da det er tungt. Bruk alltid beskyttelseshansker og solid fottøy.
- Vær forsiktig så du ikke skader gulvene (f.eks. parkett) når du flytter apparatet.
- Sørg for at apparatet ikke er i nærheten av en varmekilde.
- Installer og niveller apparatet på et gulv som er sterkt nok til å tåle apparatets vekt, og på et sted som passer for størrelsen og bruken.
- Sørg for at luften har fri flyt rundt apparatet.
- Etter første installasjon eller etter reversering av døren, ventes det minst 4 timer før apparatet kobles til strømkilden. På denne måten får oljen flyte tilbake inn i kompressoren.
- Før det utføres handlinger med apparatet (f.eks. reversering av døren), fjernes støpselet fra strømuttaket.
- Baksiden av apparatet må stå mot en vegg.

- Ikke installer apparatet på et sted med direkte sollys.
- Ikke installer dette apparatet på steder som er utsatt for høy luftfuktighet eller for lave temperaturer, for eksempel vinkjellere.

Elektrisk tilkobling

- **⚠ ADVARSEL!** Risiko for brann og elektrisk støt.
- **⚠ ADVARSEL!** Når apparatet plasseres, må det sikres av strømledningen ikke trækkes på eller skades.
- **⚠ ADVARSEL!** Ikke bruk adaptere med flere stikkontakter eller skjøteledninger.
- Apparatet må jordes.
- Sørg for at parameterne på typeskiltet er kompatibel med den elektriske belastningen fra strømmettet.
- Bruk alltid en støtsikker stikkontakt som er installert på riktig måte.
- Sørg for at du ikke skader de elektriske delene (f.eks. støpsel, kabel og kompressor). Ta kontakt med et godkjent servicesenter eller en elektriker for å bytte de elektriske delene.
- Strømledningen må holdes under støpselet.

- Koble støpselet til kontakten når installeringen er fullført. Sørg for at du har tilgang til støpselet etter installeringen.
- Ikke dra i kabelen for å koble fra apparatet. Du skal alltid dra i støpselet.
- Kun Storbritannia og Irland:
Dette apparatet er utstyrt med et 13 A støpsel. Dersom det er nødvendig å bytte hovedsikringen, må det kun brukes en 13 A ASTA (BS 1362) sikring.

Bruk

⚠ ADVARSEL! Risiko for personskade, brannskader, elektrisk støt eller brann.



Rørene til kjølekretsen inneholder en liten mengde av det miljøvennlige, men brennbare kjølemediet R600a. Det skader ikke ozonlaget og øker ikke drivhuseffekten. Hvis kjølemiddel renner ut, kan det skade øynene eller antennes. Ikke skade rørene.

- Overflaten på kompressoren kan bli varm under vanlig drift. Ikke berør den med hendene.
- Ikke endre spesifikasjonene for dette apparatet.
- Ikke plasser elektriske apparater (f.eks. ismaskiner) i apparatet, med mindre produsenten sier de er egnet.
- Hvis kretsen til kuldemediet blir skadet, må du sørge for at det ikke er åpne flammer eller brannkilder i rommet. Luft ut rommet.
- Ikke plasser varme gjenstander på apparatets plastdeler.
- Ikke oppbevar flaskedrikker i fryseseksjonen for å forhindre sprengning eller andre tap.
- Ikke oppbevar brannfarlig gass eller væske i apparatet.
- Ikke legg brannfarlige produkter eller gjenstander som er dynket med lett antennelige produkter i, i nærheten av eller på apparatet.
- Ikke ta på kompressoren eller kondensatoren. De er varme.
- Ikke fjern eller berør gjenstander i frossenmatkammeret dersom du har våte eller fuktige hender.
- Ikke svelg innholdet (ikke-giftig) i ispakkene.
- Ikke spis isbiter eller ispinner umiddelbart etter at du har tatt dem ut av fryseren, siden de kan forårsake fryseskader.
- Tint mat må ikke plasseres tilbake i frossenmatkammeret.
- Følg oppbevaringsinstruksjonene på emballasjen til maten.

Indre belysning

⚠ ADVARSEL! Risiko for elektrisk støt.

- Pæren som brukes inne i apparatet er spesielt utviklet for husholdningsapparater og er ikke egnet for generell rombelysning i hjemmet ((EU) 2019/2020).

Vedlikehold og rengjøring

⚠ ADVARSEL! Risiko for personskade eller skade på apparatet.

- Slå av apparatet, og koble støpselet fra kontakten før vedlikehold.
- Kjøleenheten til dette apparatet inneholder hydrokarboner. Vedlikehold og opplading av enheten kan bare utføres av en kvalifisert person.
- Gå over sluket på apparatet regelmessig. Rengjør sluket ved behov. Hvis sluket er tett, samler det seg smeltevann i bunnen av apparatet.

Service

- For å reparere apparatet, kontaktes et autorisert servicesenter oppgitt bakerst i denne manualen.
- Benytt kun originale reservedeler.

Avhending

⚠ ADVARSEL! Risiko for personskade eller kvelning.

- Koble apparatet fra ledningsnettet.
- Kutt hovedledningen og kast den.
- Ta av dørene for å hindre at barn og kjæledyr stenges inne i apparatet.
- Kjølekretsen og isolasjonsmaterialene i dette apparatet er osonvennlige.
- Isoleringsskummet inneholder lett antennelig gass. Ta kontakt med kommunen for å få informasjon om hvordan du går frem for å kaste apparatet.
- Du må ikke skade delen av kjøleenheten som er i nærheten av varmeveksleren.

Produsenten fraskriver seg ethvert ansvar for skade på personer eller dyr eller skade på eiendom dersom rådene og forholdsreglene ovenfor ikke overholdes.

Installasjon

⚠ ADVARSEL! Før du installerer apparatet, må du lese sikkerhetsinformasjonen i dette heftet.

Installasjonssjekkliste

Dør

- Døren forsegles fullstendig til kabinettet på alle sider
- Døren er i vater

Vatring

- Kjøleskapet er i vater

Strøm

- Vent 4 timer
- Hovedsikringen er på
- Kjøleskapet er koblet til

Siste kontroller

- Emballasjen er fjernet
- Valgt kjøleskapstemperatur

Plassering

- Følg de separate monteringsinstruksjonene for å installere dette apparatet.
- Dette apparatet skal installeres på et sted hvor omgivelsestemperaturen samsvarer med klimaklassen som er oppgitt på strømetiketten på apparatet. Dette sikrer riktig drift av apparatet. Forklaring av klimaklasser er som følger:

Klimaklasse	Omgivelsestemperaturområde
SN	+10 °C til +32 °C
N	+16 °C til +32 °C
ST	+16 °C til +38 °C
T	+16 °C til +43 °C

- «SN» indikerer at dette kjøleapparatet er beregnet for bruk i omgivelsestemperaturer fra 10 °C til 32 °C.
- «N» indikerer at dette kjøleapparatet er beregnet for bruk i omgivelsestemperaturer fra 16 °C til 32 °C.
- «ST» indikerer at dette kjøleapparatet er beregnet for bruk i omgivelsestemperaturer fra 16 °C til 38 °C.
- «T» indikerer at dette kjøleapparatet er beregnet for bruk i omgivelsestemperaturer fra 16 °C til 43 °C.

ⓘ For noen modeller av apparater kan det oppstå funksjonsproblemer når de fungerer utenfor de angitte temperaturområdene. Korrekt drift kan bare garanteres ved bruk innenfor det oppgitte temperaturområdet.

Dersom du er i tvil om montering, bes du kontakte leverandøren, vår kundeservice eller nærmeste autoriserte servicesenter.

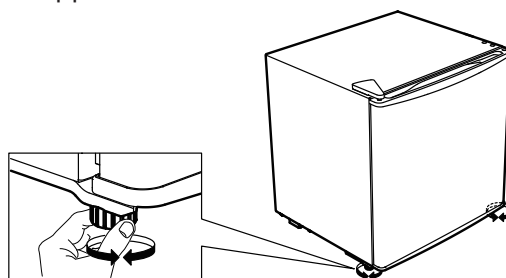
Plassering

Du får best ytelse hvis du installerer apparatet unna varmekilder som sentralvarmeapparater, varmtvannsbeholdere og direkte sollys. Sørg for at luften har fri flyt rundt baksiden av kabinettet.

Nivellere apparatet

Dersom apparatet heller, justeres de to føttene foran på apparatet for å nivellere apparatet. Se separate monteringsinstruksjoner for detaljerte instruksjoner.

1. Frakoble apparatets støpsel fra strømuttaket.
2. Vri foten med klokkeretningen for å heve apparatet. Vri foten mot klokkeretningen for å senke apparatet.



Rengjøring av apparatet

Før du bruker apparatet for første gang, må du rengjøre det for å fjerne lukten som et helt nytt produkt pleier å ha.

1. Sjekk at apparatet er koblet fra strømforsyningen.
2. Tørk av innsiden med en myk og fuktig klut.
3. Vask tilbehøret innvendig med lunkent vann og litt nøytral såpe, og tørk deretter grundig.

FORSIKTIG!

Ikke bruk slipende, klorholdige eller syreholdige rengjøringsmidler eller løsemidler.

- Ikke bruk skuresvamp eller skuremidler. Metalloverflatene kan ruste.
- Vask aldri tilbehøret i oppvaskmaskinen. De risikerer å bli deformert.

Elektrisk tilkobling

⚠ FORSIKTIG! Elektrisk arbeid nødvendig for å installere dette apparatet må utføres av kvalifisert elektriker eller kompetent person.

⚠ ADVARSEL! Dette apparatet må jordes. Hvis du forsømmer disse instruksjonene, kan det føre til dødsfall, brann eller elektrisk støt.

Produsenten avviser ethvert ansvar dersom disse sikkerhetstiltakene ikke følges. Dette apparatet overholder EU-direktivene.

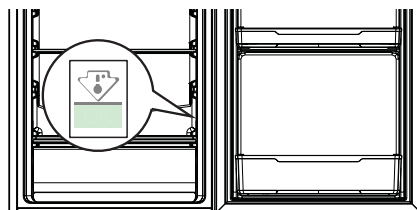
Første bruk

Kople apparatet til strømforsyningen. De ideelle matlagringstemperaturene er allerede fabrikkinnstilt (mellomliggende).

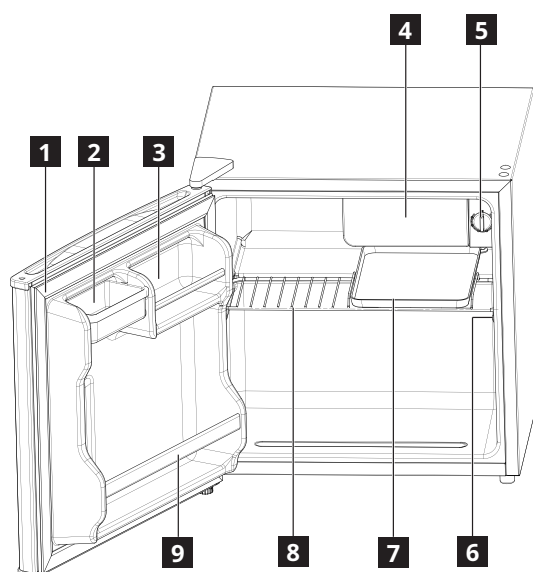
Merk: Etter å ha blitt slått på, trenger apparatet 4–5 timer for å oppnå riktig temperatur for å lagre et typisk matvolum.

Viktig!

I samsvar med reguleringer i enkelte land, må den leveres med en spesiell enhet (se bilde nedenfor) plassert i apparatets nedre kjøleskapskammer for å indikere den kaldeste sonen.



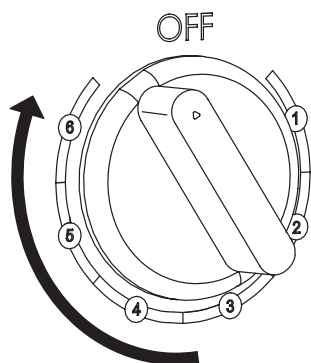
Produktbeskrivelse



- 1** Dørpakning
- 2** Lagringsboks
- 3** Bokseholder
- 4** Nedkjølingsrom

- 5** Temperaturregulering
- 6** Strømetikett
- 7** Avisingsbrett
- 8** Hylle
- 9** Flaskeholder

Drift



Slå på apparatet

Sett støpselet inn i en stikkontakt, og juster temperaturen. Apparatet slås på og begynner å gå.

Justere temperaturen

Temperaturen reguleres automatisk.

Slik justerer du temperaturen:

- Drei temperaturregulatoren mot en lavere stilling for å få mindre kulde.
- Drei temperaturregulatoren mot en høyere stilling for å få mer kulde.

i En middels innstilling er som regel best egnet.

Juster temperaturinnstillingene samtidig som det hensyntas at temperaturen inne i apparatet avhenger av:

- romtemperatur
- hvor ofte døren åpnes
- mengden matvarer som oppbevares
- plasseringen av apparatet

Viktig! Hvis omgivelsestemperaturen er høy eller apparatet er helt fylt og apparatet er stilt inn med laveste temperatur, kan det føre til at det kontinuerlig dannes frost på den bakre veggen. I dette tilfellet må det velges en høyere temperatur, for å tillate automatisk avising og dermed redusert energibruk.

Daglig bruk

Tips for nedkjøling av fersk mat

- Dekk til eller pakk inn maten, spesielt dersom den har sterk smak.
- Plasser maten slik at luft kan sirkulere rundt den.
- For best resultat, må det være nok rom i kjøleskapsdelen til at luft kan sirkulere rundt innpakningene. Sørg også for at det er tilstrekkelig med plass foran i kjøleskapet slik at døren lukkes ordentlig.
- Ikke oppbevar varm mat eller fordampende væsker i kjøleskapet.
- Kokt mat og kalde retter: dekk til og plasser på ønsket hylle.
- Frukt og grønnsaker: rengjør nøye og plasser i grønnsaksskuffen. Bananer, tomater, løk og hvitløk skal kun oppbevares innpakket i kjøleskapet.
- Smør og ost: plasseres i spesielle lufttette beholdere, eller pakkes inn i aluminiumsfolie eller en polyetylenpose for å unngå så mye luft som mulig.
- Flasker: lukkes med kork og plasseres i dørbalkongene.

Tips for å spare energi

- Installer apparatet i et tørt, godt ventilert rom langt unna varmekilder (f.eks. radiator, komfyr osv.) og på et sted som ikke er direkte eksponert for solen. Bruk hvis nødvendig en isolasjonsplate.

Rengjøring og vedlikehold

Generelle tips

- Rengjør apparatet regelmessig med en klut og en løsning bestående av varmt vann og nøytralt vaskemiddel, spesielt utviklet for kjøleskapsinteriør. Ikke bruk slipende rengjøringsmidler eller verktøy.
- Før du utfører service eller rengjøring av apparatet, må du koble det fra strømmettet eller koble fra strømforsyningen.

Tips:

- Jo lavere temperatur, desto lenger kan du trygt oppbevare maten og desto mer strøm bruker apparatet.
- Jo høyere temperatur, desto raskere forringes maten din og desto mindre strøm bruker apparatet.

Slå av apparatet

For å slå av apparatet, må du sette temperaturregulatorknappen på "OFF", og trekke støpselet ut av stikkkontakten.

- Følg installasjonsinstruksjonene for å garantere tilstrekkelig ventilasjon.
- Utilstrekkelig ventilasjon på baksiden av produktet øker energiforbruket og reduserer kjøleeffektiviteten.
- De innvendige temperaturene i apparatet kan påvirkes av omgivelsestemperaturen, hyppigheten av døråpning, samt plasseringen av apparatet. Temperaturinnstillingen bør hensynta disse faktorene.
- La varm mat og drikke avkjøles før du setter inn apparatet.
- Ikke blokker viften (hvis tilgjengelig) med matvarer.
- Etter å ha plassert eller fjernet mat, sørger du for å lukke døren ordentlig, spesielt fryserdøren.
- Reduser døråpningstiden til et minimum.
- Når du skal tine frossen mat, plasseres den i kjøleskapet. Den lave temperaturen på de frosne produktene avkjøler maten i kjøleskapet.
- Plasseringen av hyllene i kjøleskapet har ingen innvirkning på effektiv energibruk. Mat bør plasseres i hyllene på en slik måte at luftsirkulasjonen sikres (mat skal ikke berøre hverandre og avstanden mellom mat og bakvegg skal holdes).
- Skadede pakninger må byttes så snart som mulig.

FORSIKTIG! Kjøleskapstilbehøret skal ikke settes i oppvaskmaskin.

Avriming av apparatet

- Apparatet må avrimes når frostlaget på overflaten av fordampere blir 3-4 mm tykt.
- Før avriming må du fjerne alle matvarene, og slå av apparatet. Sett avrimingsfatet under fordampere for å samle opp smeltevannet.

- Etter at isen har smeltet, heller du bort smeltevannet, tørker apparatet innvendig med en tørr klut, og slår apparatet på igjen.

Hvis du ikke bruker apparatet over en lengre periode

1. Slå av apparatet.
2. Koble apparatet fra strømforsyningen.
3. Ta ut alle matvarer.

4. Avrime og rengjør apparatet.
5. La dørene åpne akkurat nok til at luften kan sirkulere inne i rommene. Dette forhindrer dannelse av mugg og ubehagelig lukt.

I tilfelle strømbrudd

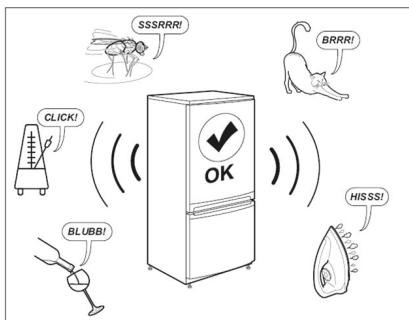
- Hold dørene til apparatet lukket. Dette gjør at maten holder seg kald så lenge som mulig.

Feilsøking

Problem	Mulig årsak	Løsning
Apparatet fungerer ikke.	Apparatet er slått av.	Slå på apparatet.
	Støpselet er ikke koblet til kontakten på riktig måte.	Koble støpselet til kontakten på riktig måte.
	Det er ikke spenning i kontakten.	For å finne ut om stikkkontakten fungerer, kobler du til et annet elektrisk apparat. Kontakt en kvalifisert elektriker for å reparere stikkkontakten.
Apparatet bråker.	Apparatet er ikke plassert stabilt.	Nivellere apparatet. Se «Nivellere apparatet», eller de egne monteringsinstruksjonene.
Kompressoren går kontinuerlig.	Angitt temperatur er for lav.	Angi en høyere temperatur. Se avsnittet «Drift».
	Mange matvarer ble satt inn samtidig.	Vent et par timer, og kontroller temperaturen på nytt.
	Romtemperaturen er for høy.	Flytt apparatet hvis mulig. Se avsnittet «Plassering».
	Matvarene som ble plassert i apparatet, var for varme.	La matvarene kjøle seg ned til romtemperatur før du setter de i kjøleskapet.
	Døren er ikke lukket ordentlig.	Se «Lukke døren».
Temperaturen i apparatet er for lav / for høy.	Temperaturen var ikke riktig angitt.	Angi en høyere/lavere temperatur.
	Døren er ikke lukket ordentlig.	Se «Lukke døren».
	Matvarene som ble plassert i apparatet, var for varme.	La matvarene kjøle seg ned til romtemperatur før du setter de i kjøleskapet.
	Mange matvarer ble satt inn samtidig.	Sett inn færre matvarer samtidig.
	Tykkelsen på isen er større enn 4-5 mm.	Avis apparatet.
	Døren har blitt åpnet for hyppig.	Åpne døren kun når nødvendig.
	Det er ikke tilstrekkelig sirkulasjon av kald luft i apparatet.	Omplasser maten slik at luften fritt kan sirkulere rundt i apparatet.
Døren lukkes ikke fullstendig.	Se «Lukke døren».	Se «Lukke døren».

Normale lyder

Det er normalt at kjølesystemet produserer noen lyder, som gurgling og susing.



Lukke døren

Hvis	Utfør
Dørpakningene er smussete.	Rengjør dem.
Dørpakningene er skadet.	Kontakt ettersalgsservice for å bytte dem.
Døren er blokkert av hyller, skuffer, matvarer osv.	Plasser riktig eller fjern gjenstandene som blokkerer døren.
Apparatet står ikke jevnt.	Nivellere apparatet. Se «Nivellere apparatet», eller de egne monteringsinstruksjonene.
Døren er ikke sentrert med skapet.	Juster døren. Se de separate monteringsinstruksjonene.

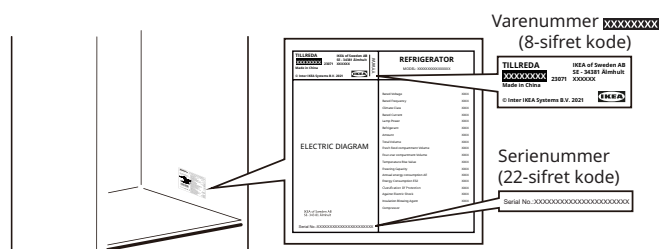
Før kontakt med ettersalgsservice:

Start apparatet på nytt for å se om feilen er utbedret. Hvis den vedvarer, slår du av apparatet igjen og gjentar operasjonen etter en time.

Hvis apparatet fortsatt ikke fungerer som det skal etter å ha utført kontrollene som er oppført i feilsøkningsveiledningen og apparatet er slått på igjen, kontakter du kundeservice og forklarer problemet tydelig. Spesifiser:

- problemets natur
- kjøpsdatoen
- apparatets modell og serienummer

ⓘ Varenummeret og serienummeret vises på typeskiltet, på indre høyre side av apparatet.



Bildet er kun for referanse


Teknisk informasjon

Produktkategori	
Produkttype	Kjøleskap
Installasjonstype	Frittstående
Produktmål	
Høyde	492 mm
Bredde	472 mm
Dybde	450 mm
Nettovolum	
Kjøleskap	43,0 L
Avisingsystem	
Kjøleskap	Manuelt
Andre spesifikasjoner	
Stjernevurdering	-
Temperaturstigningstid	-
Strømforbruk	80 kWh/år
Støynivå	41 dB(A)
Energiklasse	E
Nominell spenning	220 – 240 V~
Nominell frekvens	50 Hz
Lyskilde i energieffektivitetsklassen	-

Merk: Du får tilgang til informasjon om produktet i produktbasen vår ved å skanne QR-koden på EPREL-etiketten.

Miljøinformasjon


1. Emballasje

Resirkulerbare materialer er merket med symbolet . Avhende emballasjen i aktuelle resirkuleringsbeholdere.

Hold emballasjematerialet (plastposer, polystyrendeler osv.) utilgjengelig for barn, siden de er en potensiell kilde til fare.

2. Kassering/avhending

Apparatet er produsert av resirkulerbart materiale. Dette apparatet er merket i samsvar med det europeiske direktivet 2002/96/EC om avfall av elektrisk og elektronisk utstyr (WEEE). Ved å sikre riktig avhending av dette apparatet, kan du bidra til å forhindre potensielt negative konsekvenser for miljøet og helsen til personer.

Symbolet  på apparatet eller på de medfølgende

dokumentene, indikerer at dette apparatet ikke skal behandles som husholdningsavfall, men at det må leveres til et spesielt innsamlingscenter for resirkulering av elektrisk og elektronisk utstyr. Når du kasserer apparatet, må det gjøres ubrukelig ved å kutte av strømledningen og fjerne dører og hyller slik at barn ikke enkelt kan klatre inn og bli fanget.

Kasser apparatet i samsvar med lokale forskrifter for avfallshåndtering. Ta det til et spesielt innsamlingscenter; ikke la apparatet stå uten tilsyn selv i noen dager, siden det er en potensiell kilde til fare for barn.

For ytterligere informasjon om behandling, gjenvinning og resirkulering av dette produktet, kontakter du din lokale etat, innsamlingstjenesten for husholdningsavfall eller butikken der du kjøpte apparatet.

Samsvarserklæring

- Dette apparatet er laget for konservering av matvarer og er produsert i samsvar med forordning (EC) nr. 1935/2004.
- Dette apparatet har blitt utformet, produsert og markedsført i samsvar med:
 - sikkerhetsmålene for «Lavspennings»-direktivet 2014/35/EU (som erstatter 2006/95/CE og påfølgende endringer);



- beskyttelseskravene i direktiv «EMC» 2014/30/EU.
- Dette apparatet har blitt utformet, produsert og markedsført i samsvar med:
 - Forskrifter for elektromagnetisk kompatibilitet 2016
 - Forskrifter for elektrisk utstyr (sikkerhet) 2016

IKEA-Garanti

Hvor lenge er IKEA-garantien gyldig?

Garantien er gyldig i **2 år** fra kjøpsdatoen, med mindre noe annet er spesifisert det i nasjonale lovverket. I Norge, Portugal og Spania er garantien gyldig i 3 år fra leveringsdatoen til kunden, med mindre noe annet er spesifisert det i nasjonale lovverket. Den opprinnelige kvitteringen kreves som kjøpsbevis. Hvis det utføres servicearbeid under garantien, forlenger ikke dette apparatets garantiperiode.

Hvem skal utføre servicen?

IKEAs servicetilbyder vil levere servicen gjennom sin egen servicedrift, eller gjennom nettverket til en autorisert servicepartner.

Hva dekker denne garantien?

Garantien dekker feil på apparatet som stammer fra produksjonsfeil eller materialfeil som fantes i produktet den datoen det ble kjøpt fra IKEA. Denne garantien gjelder kun for privat bruk. Unntakene beskrives under "Hva dekkes ikke av denne garantien?". I garantiperioden vil kostnadene for å løse problemet, altså reparasjoner, deler, arbeid og reise, så lenge apparatet kan repareres uten uvanlige utgifter. Under disse forholdene gjelder EUS regler (nr. 99/44/EG) og de relevante, lokale lovene og forskriftene. Delene som skiftes ut tilfaller IKEA.

Hva gjør IKEA for å løse problemet?

IKEAs servicetilbyder vil undersøke produktet og etter eget skjønn avgjøre hvorvidt det dekkes av denne garantien. Dersom det vurderes å dekkes, vil IKEAs servicetilbyder eller deres autoriserte servicepartner etter eget skjønn enten reparere det defekte produktet, eller bytte det med et likt eller tilsvarende produkt.

Hva dekkes ikke av denne garantien?

- Normal bruksslitasje.
- Forsettlige skader eller skader forårsaket av skjodesløshet, skader grunnet manglende overholdelse av bruksinstruksjonene, feil montering eller tilkobling av feil spenning, skader fra kjemiske eller elektrokjemiske reaksjoner, rust, eller korrodering, vannskader, inkludert, men ikke begrenset til skader forårsaket av for høyt kalkinnhold i vannforsyningen, og skader forårsaket av unormale forhold i omgivelsene.
- Forbruksdeler, inkludert batterier og lamper.
- Funksjonsfrie og dekorative deler som ikke påvirker normal bruk av apparatet, inkludert skraper og eventuelle fargeforskjeller.
- Tilfeldige skader forårsaket av fremmedlegemer eller kjemiske substanser, rengjøring av og fjerning av blokkeringer fra filtre, avløpssystemer og såpeskuffer.
- Skade på følgende deler: keramisk glass, tilbehør, servise- og bestikk-kurver, tilførsels- og avløpsrør, pakninger, lamper og lampedeksler, display, knotter, innfatninger og deler av innfatninger. Med mindre det kan bevises at slike skader skyldes produksjonsfeil.
- Tilfeller hvor ingen feil finnes ved besøk av en tekniker.
- Reparasjoner som ikke er utført av autoriserte serviceleverandører og/eller en autorisert servicepartner eller dersom det ikke er blitt brukt originale deler.
- Reparasjoner som forårsakes av montering som er feil eller ikke utføres i samsvar med spesifikasjonene.
- Bruk av apparatet utenfor hjemmet, altså profesjonell bruk.
- Transportskader. Hvis kunden transporterer apparatet hjem til seg eller til en annen adresse, er IKEA ikke ansvarlig for skader som oppstår under transporten. Men hvis IKEA leverer produktet til kundens leveringsadresse, dekker IKEA skader på produktet som oppstår under denne transporten.

- Kostnaden for å utføre den opprinnelige monteringen av IKEA-produktet. Men hvis en IKEA-utnevnt serviceleverandør eller autorisert servicepartner reparerer eller erstatter apparatet underlagt vilkårene i denne garantien, vil den utnevnte serviceleverandøren eller autoriserte servicepartneren montere det reparerte apparatet eller erstatningen ved behov.

Disse begrensningene gjelder ikke for feilfritt arbeid utført av en kvalifisert spesialist som benytter våre originale deler for å tilpasse apparatet til de tekniske sikkerhetsspesifikasjonene i et annet EU-land.

Bruk av nasjonale lover

IKEA-garantien gir deg spesifikke juridiske rettigheter. Disse oppfyller eller overskrider alle lokale juridiske krav. Men disse forholdene påvirker på ingen måte forbrukerens rettigheter som disse er beskrevet i lokale lover.

Gyldighetsområde

For apparater som er kjøpt i ett EU-land og fraktet til et annet EU-land, blir tjenestene utført innenfor rammeverket til garantiforholdene som er normale for det nye landet.

Det eksisterer kun en forpliktelse til å utføre garantirelaterte tjenester hvis apparatet oppfyller kravene til og er montert i samsvar med:

- de tekniske kravene i landet der garantikravet fremmes,
- monteringsinstruksjonene og sikkerhetsinformasjonen i brukermanualen.

Dedikert ettersalgsservice for IKEA-apparater

Ikke nøl med å kontakte IKEAs tilbyder av ettersalgsservice for å:

- fremme en forespørsel om garantiservice;
- be om avklaringer ved installasjon av IKEA-apparatet i et IKEA-kjøkken;
- be om avklaring om funksjonene til IKEA-apparater.

For at vi skal kunne gi best mulig hjelp, må du lese monteringsinstruksjonene og brukerhåndboken før du kontakter oss.

Slik når du oss hvis du trenger service



Du finner telefonnumrene til IKEA-utpekte ettersalgsserviceleverandører på slutten av denne manualen.

- ⓘ **For å gi deg en raskest mulig service, anbefaler vi at du benytter de aktuelle telefonnummerne angitt på slutten av denne manualen. Henvis alltid til nummerne oppført i manualen til det aktuelle apparatet som du trenger assistanse til. Husk å oppgi det 8-sifrede artikkelnummeret og det 22-sifrede serienummeret som vises på apparatets typeskilt.**

- ⓘ **TA VARE PÅ KVITTERINGEN!** Den er bevis på kjøpet ditt og du trenger den for at garantien skal gjelde. Kvitteringen inneholder også IKEA-navnet og -varenummeret (8 sifret kode) for alle apparatene du har kjøpt.

Trenger du ekstra hjelp?

Hvis du har spørsmål som ikke er knyttet til ettersalg av apparatene, kan du kontakte nærmeste IKEA-kundesenter. Vi anbefaler at du leser dokumentasjonen for apparatet nøye for du kontakter oss.

Informasjon om reservedeler

- Følgende reservedeler: termostater, temperatursensorer, trykte kretskort og lyskilder, vil være tilgjengelig for profesjonelle reparatører i en minimumsperiode på syv år, etter den siste enheten av modellen har kommet på markedet.
- Følgende reservedeler: dørhåndtak, dørhengslar, skuffer og kurver vil være tilgjengelig for profesjonelle reparatører og sluttbrukere i en minimumsperiode på syv år, og dørpakninger i en minimumsperiode på ti år, etter den siste enheten av modellen har kommet på markedet.

Reservedelene er tilgjengelig fra: www.ikea.com

Sisällys

Turvallisuustiedot	76	Päivittäinen käyttö	81
Turvallisuusohjeet.....	77	Puhdistus ja huolto.....	81
Asennus.....	79	Vianmääritys.....	82
Ensimmäinen käyttökerta.....	80	Tekniset tiedot.....	84
Tuotteen kuvaus.....	80	Ympäristönsuojelu.....	84
Käyttö	80	IKEA-Takuu	85

Turvallisuustiedot

Lue mukana toimitetut ohjeet ennen laitteen asennusta ja käyttöä. Valmistaja ei ota vastuuta henkilö- tai omaisuusvahingoista, jotka aiheutuvat laitteen virheellisestä asennuksesta tai käytöstä. Pidä aina ohjeet laitteen mukana tulevia tarpeita varten.

Lasten ja muiden apua tarvitsevien henkilöiden turvallisuus



VAROITUS: Palovaara/ Syttyvät materiaalit

- Yli 8-vuotiaat lapset ja henkilöt, joiden fyysiset, aistinvaraiset ja henkiset ominaisuudet ovat heikentyneet, tai joilla ei ole riittävää kokemusta tai tietoa, saavat käyttää tätä laitetta, jos heitä valvotaan tai heille on annettu ohjeet laitteen turvallisesta käytöstä, ja he ymmärtävät käyttöön liittyvät vaarat. Lapset eivät saa leikkiä laitteella. Lapset eivät saa puhdistaa eivätkä huoltaa kylmälaitetta ilman valvontaa. Lapsia on valvottava, jotta he eivät leiki laitteella.
- 3–8-vuotiaat lapset ja erittäin vakavasti vammautuneet henkilöt saavat käyttää tätä laitetta, jos heitä on ohjattu asianmukaisesti.
- Alle 3-vuotiaat lapset tulee pitää etäällä laitteesta, ellei heitä valvota jatkuvasti.
- Älä anna lasten leikkiä kylmälaitteella.
- Lapset eivät saa puhdistaa laitetta tai suorittaa käyttäjän huoltotoimenpiteitä ilman valvontaa.
- 3–8-vuotiaat lapset saavat täyttää ja purkaa kylmälaitteita.

- Kaikki pakkaukset tulee pitää poissa lasten ulottuvilta ja hävittää asianmukaisesti.

Yleinen turvallisuus

- Tämä laite on tarkoitettu käytettäväksi kotona tai vastaavissa paikoissa, kuten:
 - henkilöstökeittiöissä kaupoissa, toimistoissa ja muissa työympäristöissä;
 - maataloilla ja asiakaskäyttöön hotelleissa, motelleissa ja muissa;
 - aamiaismajoitusta tarjoavissa tiloissa;
 - catering ja vastaavat ei-kaupalliset sovellukset.
- **VAROITUS:** Pidä tuuletusaukot laitteen kotelossa tai kalustekaapissa vapaina.
- **VAROITUS:** Älä käytä mekaanisia laitteita tai muita keinoja sulatusprosessin nopeuttamiseen, ellei valmistaja ole suositellut niitä.
- **VAROITUS:** Älä vaurioita jäähdytyspiiriä.
- **VAROITUS:** Älä käytä sähkölaitteita laitteen elintarvikkeiden säilytyslaatikoissa, elleivät ne ole valmistajan suosittelemaa tyyppiä.
- **VAROITUS:** Älä puhdista laitetta vesisuihkulla tai höyryllä.
- **VAROITUS:** Puhdista laite kostealla pehmeällä liinalla. Käytä vain neutraaleja puhdistusaineita. Älä käytä hankaavia tuotteita tai puhdistusliinoja, liuotinaaineita tai metalliesineitä.
- **VAROITUS:** Älä säilytä kylmälaitteessa räjähtäviä aineita, kuten aerosolipulloja, joiden ponneaine on herkästi syttyvää.

- **VAROITUS:** Jos virtajohto vaurioituu, valmistajan tai sen valtuuttaman huoltopalvelun tai vastaavan pätevän henkilön on vaihdettava se vaaran välttämiseksi.
- **VAROITUS:** Kun asennat laitetta, varmista, ettei virtajohto jää puristuksiin tai vaurioidu.
- **VAROITUS:** Älä sijoita laitteen taakse useita kannettavia pistorasioita tai kannettavia virtalähteitä.
- Oven pitäminen auki pidempiä aikoja voi aiheuttaa lämpötilan merkittävän nousun laitteen osastoissa.
- Puhdista säännöllisesti ruoan kanssa kosketuksiin joutuvat pinnat ja tyhjennysjärjestelmät, joihin pääsee käsiksi.
- Puhdista vesisäiliöt, jos niitä ei ole käytetty 48 tuntiin; huuhtelee vesijärjestelmä, joka on liitetty vesihuoltoon, jos vettä ei ole valutettu 5 päivän aikana.
- Säilytä raakaa lihaa ja kalaa sopivissa astioissa jääkaapissa, jotta ne eivät pääse kosketuksiin muiden ruokien kanssa, eikä niistä voi tippua nestettä muiden ruokien päälle.
- Jos kylmälaite on pidemmän aikaa tyhjänä, kytke se pois päältä, sulata, puhdista ja kuivaa se, ja jätä ovi auki, jotta laitteeseen ei pääse muodostumaan hometta.
- Tämä kylmälaite ei sovellu elintarvikkeiden pakastamiseen.
- Tätä kylmälaitetta ei ole tarkoitettu asennettavaksi kalusteisiin.
- Kahden tähden pakastelokerot soveltuvat esipakastetun ruoan säilyttämiseen, jäätelön ja jääkuutioiden tekemiseen ja säilyttämiseen.
- Yhden, kahden tai kolmen tähden lokerot eivät sovellu tuoreen ruoan pakastamiseen.
- **VAROITUS:** Laitteen epävakaudesta johtuvan vaaran välttämiseksi se on kiinnitettävä ohjeiden mukaisesti.

Turvallisuusohjeet

Asennus

VAROITUS! Laitteen asennuksen saa suorittaa vain ammattitaitoinen henkilö.

- Poista kaikki pakkausosat.
- Älä asenna tai käytä vaurioitunutta laitetta.
- Noudata koneen mukana toimitettuja ohjeita.
- Siirrä laitetta aina varoen, sillä se on raskas. Käytä aina suojakäsineitä ja suojaavia jalkineita.
- Lattian vaurioitumista (esim. parketti) on varottava laitetta siirrettäessä.
- Varmista, että laite ei ole lämmönlähteen läheisyydessä.
- Asenna laite ja aseta vaakasuoraan lattialle, joka on riittävän vahva kestämään sen painon ja sen kokoon ja käyttöön sopivaan paikkaan.
- Varmista, että ilma kiertää kylmälaitteen ympärillä.
- Odota vähintään 4 tuntia ennen laitteen kytkemistä sähköverkkoon ensimmäisen asennuksen tai oven avautumissuunnan vaihtamisen jälkeen. Näin öljy pääsee virtaamaan takaisin kompressoriin.
- Irrota pistoke pistorasiasta aina ennen laitteen käsittelyä (esim. oven avautumissuunnan vaihtamista).
- Kylmälaitteen takaosan on oltava seinää vasten.
- Älä asenna kylmälaitetta paikkaan, johon osuu suora auringonvalo.

- Älä asenna tätä laitetta liian kosteisiin tai liian kylmiin tiloihin, kuten viinikellareihin.

Sähkökytkentä

VAROITUS! Tulipalon ja sähköiskun vaara.

VAROITUS! Kun asennat laitetta, varmista, ettei virtajohto jää puristuksiin tai vaurioidu.

- VAROITUS!** Älä käytä jakorasioita tai jatkojohtoja.
- Sähkölaite on maadoitettava.
 - Varmista, että arvokilvessä olevat parametrit ovat verkkovirtalähteen sähköarvojen mukaisia.
 - Käytä aina oikein asennettua sähköiskunkestävää pistorasiaa.
 - Varmista, että sähkökomponentit (kuten verkkopistoke, virtajohto, kompressori) eivät vaurioidu. Sähkökomponenttien vaihtamiseksi ota yhteys valtuutettuun huoltopalveluun.
 - Virtajohdon tulee pysyä verkkopistokkeen tason alla.
 - Liitä verkkojohto pistorasiaan vasta sitten, kun asennus on tehty. Varmista, että pistorasiaan on esteetön pääsy asennuksen jälkeen.
 - Älä kytke laitetta irti vetämällä virtajohdosta. Vedä aina verkkopistokkeesta.

- Vain Yhdistynyt kuningaskunta ja Irlanti:
Laitte on varustettu 13 A:n virtapistokkeella.
Jos pistokkeen sulakkeen vaihto on tarpeen,
käytä vain 13 A:n ASTA (BS 1362) -sulaketta.

Käyttö

⚠ VAROITUS! Henkilövahinkojen, palovammojen, sähköiskujen tai tulipalon vaara.



Kylmäpiirin putket sisältävät pienen määrän ympäristöystävällistä, mutta syttyvää kylmäainetta R600a. Se ei vahingoita otsonikerrosta eikä lisää kasvihuoneilmiötä. Jos kylmäaine vuotaa, se voi vahingoittaa silmiäsi tai syttyä palamaan. Älä vahingoita putkia .

- Kompressorin pinta saattaa kuumentua tavallisessa käytössä. Älä koske siihen käsin.
- Älä muuta laitteen määrittämiä.
- Älä laita sähkölaitteita (esim. jäätelökoneita) laitteen sisään, ellei valmistaja ole sallinut sitä.
- Jos jäähdytyspiiri vaurioituu, varmista, että huoneessa ei ole avotulta tai syttymislähteitä. Tuuleta tila.
- Älä anna kuumien esineiden koskettaa kylmälaitteen muoviosia.
- Älä säilytä pulloitettuja juomia pakastimessa halkeamisen tai muiden hävikkien välttämiseksi.
- Älä säilytä helposti syttyvää kaasua tai nestettä kylmälaitteessa.
- Älä aseta helposti syttyviä tuotteita tai helposti syttyvän aineen kastelemia tuotteita laitteen lähelle tai sen päälle.
- Älä kosketa kompressoria tai lauhdutinta. Ne ovat kuumia.
- Älä poista pakastimen tuotteita tai kosketa niihin, jos kätesi ovat märät tai kosteat.
- Älä niele jääpakkausten sisältöä (myrkytöntä).
- Älä syö jääkuutioita tai jäätelöä heti sen jälkeen, kun olet ottanut ne pakastimesta, sillä ne voivat aiheuttaa kylmävammoja.
- Älä laita sulaneita elintarvikkeita takaisin pakastimeen.
- Noudata elintarvikepakkauksessa olevia säilytysohjeita.

Sisävalo

⚠ VAROITUS! Sähköiskun vaara.

- Laitteessa käytetty polttimo on suunniteltu erityisesti kodinkoneisiin, eikä se sovellu kotitalouksien yleiseen huonevalaistukseen ((EU) 2019/2020).

Hoito ja puhdistus

⚠ VAROITUS! Vamman tai kylmälaitteen vaurion vaara.

- Ennen huoltoa sammuta kylmälaite ja irrota virtajohto pistorasiasta.
- Tämän laitteen jäähdytysyksikkö sisältää hiilivetyjä. Ainoastaan pätevä ammattilainen saa huoltaa yksikköä ja täyttää sen uudelleen.
- Tarkista säännöllisesti kylmälaitteen laskuputki ja tarvittaessa puhdistu se. Jos laskuputki on tukossa, sulavesi kerääntyy kylmälaitteen pohjalle.

Huolto

- Jos laite vaatii korjausta, ota yhteys valtuutettuun huoltoliikkeeseen, jotka on lueteltu tämän käyttöoppaan lopussa.
- Käytä vain alkuperäisiä varaosia.

Hävitys

⚠ VAROITUS! Loukkaantumisen tai tukehtumisen riski.

- Irrota laite virransyötöstä.
- Leikkaa virtajohto irti ja hävitä se.
- Irrota ovi, jotta lapset tai lemmikit eivät jää kylmälaitteen sisään.
- Tämän laitteen jäähdytysputkistossa ja eristysmateriaaleissa ei ole otsonikerrokselle haitallisia aineita.
- Eristysvaahto sisältää syttyvää kaasua. Tiedustele paikalliselta viranomaiselta, miten laite tulee hävittää oikein.
- Älä vaurioita kylmälaitteen osaa, joka on lämmönvaihtimen lähellä.

Valmistaja kieltäytyy kaikesta vastuusta henkilö- tai eläinvahingoista tai omaisuusvahingoista, jos edellä mainittuja ohjeita ja varotoimenpiteitä ei noudateta.

Asennus

VAROITUS! Lue huolellisesti tämän oppaan sisältämät turvallisuustiedot ennen laitteen asentamista.

Asennuksen tarkastuslista

Ovi

- Ovi tiivistää kaapin kaikista sivuista
- Ovi on vaakasuorassa

Vaaitus

- Jääkaappi on vaakasuorassa

Sähkövirta

- Odota 4 tuntia
- Kotitalouden virransyöttö on kytketty päälle
- Jääkaappi on yhdistetty virransyöttöön

Lopputarkastukset

- Pakkausmateriaalit on poistettu
- Jääkaapin lämpötila asetettu

Paikoilleen asettaminen

- Noudata laitteen asentamisessa erillisiä asennusohjeita.
- Asenna tämä laite paikkaan, jossa ympäristön lämpötila vastaa laitteen tyyppikilvessä ilmoitettua ilmastoluokkaa. Tämä varmistaa laitteen oikean toiminnan. Ilmastoluokkien selitys on seuraava:

Ilmastoluokka	Ympäristön lämpötila-alue
SN	10–32°C
N	16–32°C
ST	16–38°C
T	16–43°C

- "SN" ilmaisee, että tämä kylmälaite on tarkoitettu käytettäväksi ympäristön lämpötilassa 10–32°C.
- "N" ilmaisee, että tämä kylmälaite on tarkoitettu käytettäväksi ympäristön lämpötilassa 16–32°C.
- "ST" ilmaisee, että tämä kylmälaite on tarkoitettu käytettäväksi ympäristön lämpötilassa 16–38°C.
- "T" ilmaisee, että tämä kylmälaite on tarkoitettu käytettäväksi ympäristön lämpötilassa 16–43°C.

i Joissakin malleissa saattaa esiintyä tiettyjä toiminnallisia ongelmia, jos niitä käytetään määritettyjen lämpötila-alueiden ulkopuolella. Oikea toiminta voidaan taata vain määritettyjen lämpötila-alueiden sisällä.

Jos sinulla on epäilyksiä asennuksesta, ota yhteyttä myyjään, asiakaspalveluumme tai lähimpään valtuutettuun huoltoliikkeeseen.

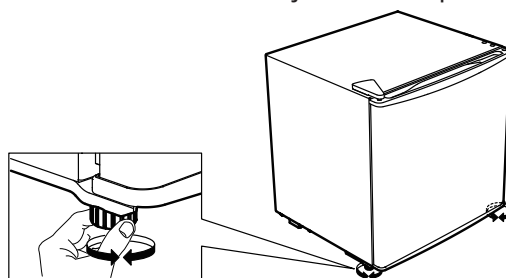
Sijainti

Parhaan toiminnan takaamiseksi asenna kylmälaite etäälle lämmönlähteistä, kuten patterit, lämminvesivaraajat ja suora auringonvalo. Varmista, että ilma kiertää vapaasti jääkaapin takana.

Laitteen vaakasuoraan asettaminen

Jos laite on kallellaan johonkin suuntaan, säädä kahta jalkaa laitteen edessä laitteen saamiseksi vaakasuoraan. Tarkemmat ohjeet löytyvät erillisestä asennusohjeesta.

1. Irrota laitteen pistoke pistorasiasta.
2. Nosta laitetta kääntämällä jalkaa myötäpäivään. Laske laitetta kääntämällä jalkaa vastapäivään.



Laitteen puhdistaminen

Ennen laitteen ensimmäistä käyttökertaa puhdista laite uuden tuotteen tyyppillisen hajun poistamiseksi.

1. Varmista, että laite on irrotettu virransyötöstä.
2. Pyyhi sisäpuoli pehmeällä kostealla liinalla.
3. Pese kaikki sisäosat lämpimällä vedellä ja neutraalilla saippualla ja kuivaa sitten huolellisesti.

HUOMIO!

Älä käytä hankaavia, klooripitoisia tai happamia puhdistusaineita tai liuottimia.

- Älä käytä raapivia tai hankaavia sieniä. Metallipinnat voivat syöpyä.
- Älä pese varusteita astianpesukoneessa. Ne voivat vääntyä.

Sähkökytkentä

VAROITUS! Kaikki laitteen asennukseen tarvittavat sähkötyöt saa suorittaa vain ammattitaitoinen sähköasentaja tai vastaava pätevä henkilö.

VAROITUS! Tämä laite on maadoitettava. Näiden ohjeiden noudattamatta jättäminen saattaa aiheuttaa kuoleman, tulipalon tai sähköiskun.

Valmistaja ei vastaa mistään vahingoista, mikäli näitä turvallisuusohjeita ei ole noudatettu. Tämä kylmälaite on ETY:n direktiivien mukainen.

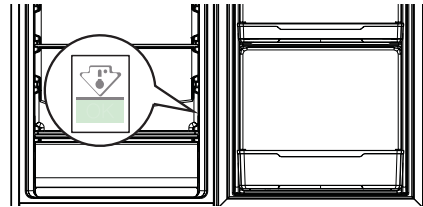
Ensimmäinen käyttökerta

Liitä laite pistorasiaan. Ihanteelliset elintarvikkeiden säilytyslämpötilat on säädetty valmiiksi tehtaalla (keskitasolle).

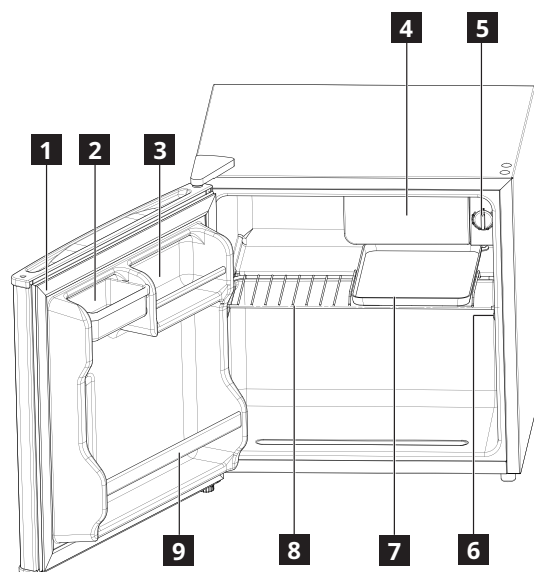
Huomaa: Käynnistyksen jälkeen laite saavuttaa oikean lämpötilan tyypillisen ruokamäärän säilyttämiseksi 4-5 tunnin kuluessa.

Tärkeää!

Joidenkin maiden määräysten mukaisesti kylmälaite on varustettava erityisellä laitteella (katso alla oleva kuva), joka sijoitetaan jääkaappiosaston alatilaa osoittamaan laitteen kylmimmän alueen.



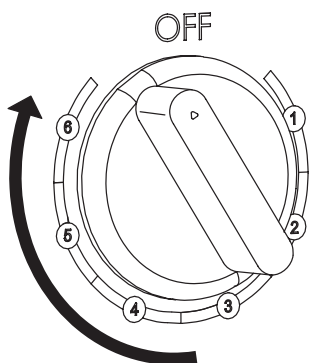
Tuotteen kuvaus



- 1** Oven tiiviste
- 2** Säilytyslaatikko
- 3** Tölkkiline
- 4** Viileä osasto

- 5** Lämpötilan säädin
- 6** Tyypikilpi
- 7** Sulatuslevy
- 8** Hylly
- 9** Pulloteline

Käyttö



Päällekytkentä

Yhdistä pistoke pistorasiaan ja säädä lämpötila. Laite kytkeytyy päälle ja alkaa toimia.

Lämpötilan säätäminen

Lämpötilaa säädellään automaattisesti.

Lämpötilaa säädetään seuraavasti:

- Käännä lämpötilan säädintä kohti matalampaa asetusta kylmyyden vähentämiseksi.
- Käännä lämpötilan säädintä kohti korkeampaa asetusta kylmyyden lisäämiseksi.

i Keskiasetus on yleensä sopivin.

Valitse asetus ottaen huomioon, että laitteen sisälämpötilaan vaikuttavat seuraavat seikat:

- huoneen lämpötila
- oven avaustiheys
- säilytettävien elintarvikkeiden määrä
- kylmälaitteen sijoituspaikka.

Tärkeää! Jos ympäristön lämpötila on korkea tai kylmälaite on täynnä ja lämpötilaksi asetetaan alin lämpötila, kylmälaite voi käydä koko ajan, jolloin takaseinään muodostuu jäätä. Aseta tässä tapauksessa korkeampi lämpötila automaattisen sulatuksen käynnistämiseksi, jolla voit säästää energiaa.

Päivittäinen käyttö

Vinkkejä raakojen ruoka-aineiden jäädyttämiseen

- Peitä tai kääri ruoka, etenkin jos siinä on vahva maku.
- Sijoita elintarvikkeet siten, että ilma pääsee kiertämään vapaasti niiden ympärillä.
- Parhaan suorituskyvyn saamiseksi jätä jääkaappiosastoon riittävästi vapaata tilaa, jotta ilma kiertää pakkausten ympärillä. Jätä riittävästi tilaa myös eteen, jotta ovi sulkeutuu tiiviisti.
- Älä säilytä lämmintä ruokaa tai haihtuvia nesteitä jääkaapissa.
- Kypsennetyt ruoat ja kylmät ruoat: suojaa ja aseta mille tahansa hyllylle.
- Hedelmät ja vihannekset: puhdista huolella ja aseta vihannekselaatikkoon. Banaaneja, perunoita, sipulia ja valkosipulia ei saa säilyttää jääkaapissa ilman pakkausta.
- Voi ja juusto: aseta erityisiin ilmatiiviisiin rasioihin tai kääri alumiinifolioon tai polyeteenipusseihin mahdollisimman ilmatiiviisti.
- Pullot: sulje korkeilla ja aseta ovihyllyille.

Energiansäästövinkejä

- Asenna laite kuivaan, hyvin ilmastoituun tilaan, kauas lämmönlähteistä (lämpöpattereista, liesistä jne.) ja suojaan suoralta auringonvalolta. Käytä tarvittaessa eristelevyä.

Puhdistus ja huolto

Yleisiä vinkkejä

- Puhdista laite säännöllisesti liinalla ja liuoksella, jossa on lämmintä vettä ja neutraalia pesuainetta, joka on erityisesti suunniteltu jääkaapin sisätiloihin. Älä käytä hankaavia pesuaineita tai työkaluja.
- Irrota pistoke pistorasiasta tai kytke laite irti sähköverkosta ennen laitteen huoltamista tai puhdistamista.

Vinkkejä:

- Mitä alhaisempi lämpötila, sitä pidempään voit säilyttää ruokasi turvallisesti ja sitä enemmän laite kuluttaa virtaa.
- Mitä korkeampi lämpötila, sitä nopeammin säilytetty ruoka pahenee ja sitä vähemmän laite kuluttaa virtaa.

Kytchentä pois päältä

Kytket laitteen pois päältä kääntämällä lämpötilan säätimen nupin osoittamaan kohtaa "OFF" ja irrottamalla sitten pistokkeen pistorasiasta.

- Noudata asennusohjeita riittävän ilmanvaihdon varmistamiseksi.
- Tuotteen takaosan puutteellinen ilmanvaihto lisää energiankulutusta ja heikentää jäädytystehoa.
- Laitteen sisälämpötiloihin saattaa vaikuttaa myös ympäristön lämpötila, oven avaamistiheys sekä laitteen sijainti. Nämä tekijät olisi huomioitava säätäessäsi lämpötila-asetusta.
- Anna lämpimien ruokien ja juomien jäähtyä ennen niiden laittamista laitteeseen.
- Älä estä tuuletinta (jos sellainen on) elintarvikkeilla.
- Kun laitat ruokaa sisään tai otat sitä pois, varmista, että suljet oven kunnolla, etenkin pakastimen oven.
- Availe ovea mahdollisimman vähän.
- Kun sulatat pakastettuja elintarvikkeita, laita ne jääkaappiin. Pakastettujen tuotteiden alhainen lämpötila jäädyttää jääkaapissa olevia elintarvikkeita.
- Jääkaapin hyllyjen sijoittelulla ei ole vaikutusta energiankulutukseen. Elintarvikkeet tulisi sijoittaa hyllyille siten, että ilma pääsee kiertämään (elintarvikkeet eivät saa koskettaa toisiaan, ja elintarvikkeiden ja takaseinän väliin on jätettävä rako).
- Vaurioituneet tiivisteet tulee vaihtaa mahdollisimman pian.

HUOMIO! Jääkaapin lisävarusteita ei saa laittaa astianpesukoneeseen.

Kylmälaitteen sulattaminen

- Sulata kylmälaite aina, kun höyrytimen pinnalla on 3–4 mm:n paksuinen huurrekerros.
- Poista kaikki elintarvikkeet ennen sulatusta ja kytke laite pois päältä. Aseta sulatuslevy höyrytimen alle keräämään sulaneen veden.

- Kun kaikki huurre on sulanut, kaada sulanut vesi pois, kuivaa laitteen sisäpuoli kuivalla liinalla ja kytke kylmälaite takaisin päälle.

5. Jätä ovet auki juuri sen verran, että ilma pääsee kiertämään osastojen sisällä. Tämä estää homeen ja epämiellyttävien hajujen muodostumisen.

Jos et käytä laitetta pitkään aikaan

1. Kytke laite pois päältä.
2. Irrota laite virransyötöstä.
3. Ota kaikki ruoat pois.
4. Defrost and clean the appliance. Sulata ja puhdista laite.

Sähkökatkot

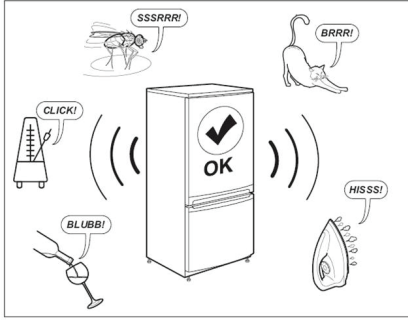
- Pidä laitteen ovet suljettuina. Näin ruoka säilyy kylmänä mahdollisimman pitkään.

Vianmääritys

Ongelma	Mahdollinen syy	Ratkaisu
Laite ei toimi.	Kylmälaite on kytketty pois päältä.	Kytke kylmälaite päälle.
	Verkkopistoketta ei ole liitetty pistorasiaan oikein.	Liitä verkkopistoke pistorasiaan oikein.
	Pistorasiassa ei ole jännitettä.	Voit selvittää, toimiiko pistorasia, kytkemällä siihen toisen sähkölaitteen. Ota yhteys pätevään sähköasentajaan pistorasian korjaamiseksi.
Kylmälaite on äänekäs.	Laitetta ei ole asetettu vakaasti paikalleen.	Aseta laite vaakasuoraan. Katso kohta "Laitteen vaakasuoraan asettaminen" tai erilliset asennusohjeet.
Kompressori käy jatkuvasti.	Asetettu lämpötila on liian alhainen.	Aseta korkeampi lämpötila. Katso "Käyttö".
	Monta elintarviketta lisättiin samalla kertaa.	Odota muutamia tunteja ja tarkista lämpötila uudelleen.
	Huoneen lämpötila on liian korkea.	Aseta laite uuteen paikkaan mikäli mahdollista. Katso "Paikoilleen asettaminen".
	Kylmälaitteeseen asetettiin liian lämpimiä ruokia.	Anna ruokien viiletä huonelämpötilaan ennen kuin laitat ne kylmälaitteeseen.
	Ovea ei suljettu oikein.	Katso kohta "Oven sulkeminen".
Kylmälaitteen lämpötila on liian alhainen/korkea.	Lämpötilaa ei asetettu oikein.	Aseta korkeampi/alhaisempi lämpötila.
	Ovea ei suljettu oikein.	Katso kohta "Oven sulkeminen".
	Kylmälaitteeseen asetettiin liian lämpimiä ruokia.	Anna ruokien viiletä huonelämpötilaan ennen kuin laitat ne kylmälaitteeseen.
	Monta elintarviketta lisättiin samalla kertaa.	Laita vähemmän elintarvikkeita samalla kertaa.
	Jää on paksumpi kuin 4-5 mm.	Sulata kylmälaite.
	Ovea on avattu liian tiheään.	Avaa ovi vain tarvittaessa.
	Laitteen kylmän ilman kierto ei ole riittävä.	Sijoita elintarvikkeet uudelleen siten, että ilma pääsee kiertämään vapaasti laitteen sisällä.
Ovi ei sulkeudu kunnolla.	Katso kohta "Oven sulkeminen".	Katso kohta "Oven sulkeminen".

Normaalit äänet

On normaalia, että jäädytysjärjestelmästä kuuluu joitakin ääniä, kuten pörinää ja sihinää.



Oven sulkeminen

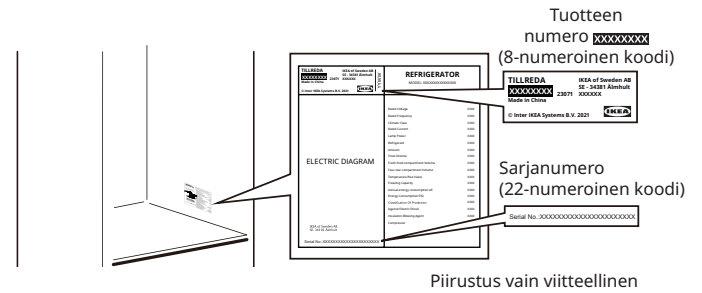
Jos	Tee
Oven tiivisteet ovat likaisia.	Puhdista ne.
Oven tiivisteet ovat vaurioituneet.	Ota yhteys myynninjälkeiseen palveluun niiden vaihtamiseksi.
Hyllyt, laatikot, elintarvikkeet jne. estävät ovea.	Aseta oven estävät kohteet oikein tai poista ne.
Laite ei ole vaakasuorassa.	Aseta laite vaakasuoraan. Katso kohta "Laitteen vaakasuoraan asettaminen" tai erilliset asennusohjeet.
Ovi ei ole linjassa kaapin kanssa.	Säädä ovi. Katso erilliset asennusohjeet.

Ennen kuin otat yhteyttä huoltopalveluun:

Käynnistä laite uudelleen nähdäksesi, onko vika korjaantunut. Jos häiriö jatkuu, kytke laite uudelleen pois päältä ja toista toiminto tunnin kuluttua. Jos laite ei vielääkään toimi kunnolla vianmääritysoppaassa lueteltujen tarkistusten suorittamisen ja laitteen uudelleen käynnistämisen jälkeen, ota yhteyttä myynninjälkeiseen palveluun ja selitä ongelma selkeästi ja tarkenna:

- ongelman luonne
- ostopäivä
- laitteen malli ja sarjanumero

📌 Tuotteen numero ja sarjanumero sijaitsevat arvokilvessä laitteen sisällä oikealla puolella.




Tekniset tiedot

Tuotteen luokka	
Tuotteen tyyppi	Jääkaappi
Asennustyyppi	Vapaasti seisova
Tuotteen mitat	
Korkeus	492 mm
Leveys	472 mm
Syvyys	450 mm
Netttilavuus	
Jääkaappi	43,0 l
Sulatusjärjestelmä	
Jääkaappi	Manuaalinen
Muut tekniset tiedot	
Tähtiluokitus	-
Lämpötilan kohoamisaika	-
Energiankulutus	80 kWh/vuosi
Melutaso	41 dB(A)
Energialuokka	E
Nimellisjännite	220–240 V~
Nimellistaajuus	50 Hz
Valolähteen energiatehokkuusluokka	-

Huomaa: Tuotetietokannan tuotetietoihin pääsee käsiksi skannaamalla EPREL-etiketissä olevan QR-koodin.

Ympäristönsuojelu

1. Pakkausmateriaalit


Kierrätettävät materiaalit on merkitty symbolilla . Kierrätä pakkaus laittamalla se asianmukaiseen kierrätysastiaan.

Pidä pakkausmateriaalit (muovipussit, polystyreeniosat jne.) poissa lasten ulottuvilta, sillä ne voivat aiheuttaa vaaraa.

2. Romuttaminen/hävittäminen

Laite on valmistettu kierrätettävistä materiaaleista. Tämä laite on merkitty sähkö- ja elektroniikkalaiteromua koskevan eurooppalaisen direktiivin (WEEE) 2002/96/EY mukaisesti. Varmistamalla tämän laitteen asianmukaisen hävittämisen voit auttaa estämään mahdolliset kielteiset seuraukset ympäristölle ja ihmisten terveydelle .

Laitteessa tai mukana olevissa asiakirjoissa oleva

symboli  osoittaa, että tätä laitetta ei saa käsitellä

kotitalousjätteenä, vaan se on toimitettava erityiseen sähkö- ja elektroniikkalaitteiden kierrätyskeskukseen. Kun romutat laitteen, tee se käyttökelttomaksi katkaisemalla virtajohto ja poistamalla ovet ja hyllyt, jotta lapset eivät voi helposti kiivetä sisälle ja jäädä loukkuun.

Romuta laite paikallisten jätehuoltomääräysten mukaisesti viemällä se erityiseen keräyskeskukseen; älä jätä laitetta ilman valvontaa edes muutamaksi päiväksi, sillä se on mahdollinen vaaranlähde lapsille. Lisätietoja tämän tuotteen käsittelystä, talteenotosta ja kierrätyksestä saat toimivaltaiselta paikallisviranomaiselta, kotitalousjätteen keräyspalvelusta tai siitä liikkeestä, josta ostit laitteen.

Vaatimustenmukaisuusvakuutus

- Tämä laite on suunniteltu elintarvikkeiden säilömiseen ja valmistettu asetuksen (EY) N:o 1935/2004 mukaisesti.
- CE**
- Tämä laite on suunniteltu, valmistettu ja myyty seuraavien direktiivien mukaisesti:
 - "Pienjännitedirektiivin" 2014/35/EU (korvaa direktiivin 2006/95/EY ja myöhemmät muutokset) turvallisuustavoitteet;

- EMC-direktiivin 2014/30/EU suojausvaatimukset.
- Tämä laite on suunniteltu, valmistettu ja myyty seuraavien direktiivien mukaisesti:
 - Sähkömagneettista yhteensopivuutta koskeva asetus 2016
 - Sähkölaitteiden (turvallisuus) määräykset 2016



IKEA-Takuu

Miten kauan IKEA-takuu on voimassa?

Takuu on voimassa **2 vuotta** ostopäivästä, ellei kansallisessa lainsäädännössä toisin säädetä. Norjassa, Portugalissa ja Espanjassa takuu on voimassa 3 vuotta toimituspäivästä asiakkaalle, ellei kansallisessa lainsäädännössä toisin säädetä. Todisteeksi vaaditaan alkuperäinen ostokuitti. Takuuaikana mahdollisesti tehdyt huoltotyöt eivät pidennä kodinkoneen takuu-aikaa.

Kuka vastaa takuupalvelusta?

IKEA:n palveluntarjoaja tarjoaa huollon omien huoltoliikkeidensä tai valtuutettujen huoltoliikkeiden verkoston kautta.

Mitä takuu kattaa?

Takuu kattaa kodinkoneiden materiaali- ja valmistusvirheiden aiheuttamat viat siitä päivästä lähtien, kun tuote ostetaan IKEA-tavaratalosta. Takuu koskee vain kotitalouskäyttöä. Poikkeukset mainitaan kohdassa "Mitä tämä takuu ei kata?". Takuuaikana takuu kattaa vian korjaamisesta aiheutuvat kustannukset, kuten korjaustyöt, osat ja työ- ja matkakustannukset edellyttäen, että laite voidaan korjata ilman erityiskustannuksia. Euroopan unionin direktiivi (N:o 99/44/EY) ja vastaavat maakohtaiset määräykset ovat voimassa näiden ehtojen mukaisesti. Korvatuista osista tulee IKEAn omaisuutta.

Mitä IKEA tekee ongelman ratkaisemiseksi?

IKEA:n nimeämä palveluntarjoaja tarkastaa tuotteen ja määrittää omaan harkintaansa perustuen, onko vika tämän takuun alainen. Jos se katsotaan takuun alaiseksi, IKEA:n palveluntarjoaja tai valtuutettu huoltoliike oman harkintaansa perustuen, joko korjaa viallisen tuotteen tai vaihtaa sen samanlaiseen tai vastaavaan tuotteeseen.

Mitä tämä takuu ei kata?

- Normaalia kulumista.
- Normaalia kulumista. Tahallisia tai huolimattomuudesta aiheutuneita vahinkoja, käyttöohjeiden noudattamisen laiminlyömisestä, virheellisestä asennuksesta tai väärään jännitteeseen liittämisestä aiheutuneita vahinkoja, kemiallisesta tai sähkökemiallisesta reaktiosta, ruosteesta, syöpymisestä tai vesivahingoista aiheutuneita vahinkoja, mukaan lukien, mutta näihin rajoittumatta, syöttöveden liiallisesta kalkkipitoisuudesta tai epänormaaleista ympäristöolosuhteista aiheutuneita vahinkoja.
- Kulutushyödykkeinä pidettäviä osia, kuten paristoja ja lamppuja.
- Ei-toiminnallisten ja koristeellisten osien vikoja, jotka eivät vaikuta kodinkoneen normaaliin käyttöön, esim. naarmuja ja värieroja.
- Vieraiden esineiden tai aineiden tai suodattimissa, tyhjennysjärjestelmissä tai pesuainelokeroissa olevien tukosten poistamisen tai kodinkoneen puhdistuksen aiheuttamia satunnaisia vahinkoja.
- Seuraavia osia koskevia vahinkoja: lasikeraaminen taso, varusteet, astia- ja ruokailuvälinekorit, vedenotto- ja tyhjennysletkut, tiivisteet, lamput ja lampun suojuukset, näytöt, kytkimet, kuoret ja niiden osat. Tämä pätee, ellei näiden vahinkojen voida todistaa syntyneen valmistusvirheiden vuoksi.
- Tapaukset, joissa vikaa ei löydy huoltohenkilön käynnin aikana.
- Muiden kuin nimettyjen palveluntarjoajien ja/tai valtuutetun huoltokumppanin tekemiä korjauksia tai korjauksia, joissa ei ole käytetty alkuperäisiä varaosia.
- Virheellisestä tai ohjeiden vastaisesta asennuksesta johtuneita korjauksia.
- Muussa kuin kotitalouskäytössä eli ammattimaisessa käytössä syntyneitä vikoja.

- Kuljetusvaurioita. Jos asiakas kuljettaa tuotteen kotiinsa tai muuhun osoitteeseen, IKEA ei vastaa kuljetuksen aikana mahdollisesti syntyvistä vahingoista. Jos IKEA kuitenkin toimittaa tuotteen asiakkaan toimitusosoitteeseen, IKEA (ei tämä takuu) vastaa toimituksen aikana tuotteelle syntyneistä vahingoista.
- Kustannuksia, jotka syntyvät IKEA-laitteen asentamisesta paikalleen. Jos IKEAn nimeämä palveluntarjoaja tai valtuuttama huoltoliike kuitenkin korjaa tai korvaa laitteen tämän takuun ehtojen mukaisesti, palveluntarjoaja tai sen valtuutettu huoltoliike tarvittaessa asentaa korjatun kodinkoneen uudelleen tai asentaa korvatun laitteen.

Nämä rajoitukset eivät koske ammattitaitoisen asiantuntijan suorittamaa virheetöntä työtä, jossa on käytetty alkuperäisiä varaosia, laitteen sopeuttamiseksi toisen EU-maan teknisten turvallisuusmääräysten mukaisesti.

Miten kansallista lakia sovelletaan?

IKEA-takuu antaa ostajalle tietyt lailliset oikeudet, jotka kattavat tai ylittävät kaikki paikalliset lailliset vaatimukset. Nämä ehdot eivät kuitenkaan rajoita millään tavalla kuluttajansuojalaissa määritettyjä kuluttajan oikeuksia.

Voimassaoloalue

Laitteille, jotka on ostettu EU-maassa ja jotka viedään toiseen EU-maahan, palvelu tarjotaan uudessa maassa normaalisti voimassa olevien takuehtojen mukaisesti.

Velvoite palvelujen suorittamiseksi takuun puitteissa on olemassa ainoastaan, jos laite vastaa ja on asennettu:

- sen maan teknisten määräysten mukaisesti, jossa takuupyynnöte tehdään;
- asennusohjeiden ja käyttöoppaan turvallisuusohjeiden mukaisesti.

IKEA-laitteiden MYNNINJÄLKEINEN palvelu

Pyydämme ottamaan yhteyttä IKEAn nimeämään myynninjälkeisen palvelun tarjoajaan:

- haluat tehdä tämän takuun piiriin kuuluvan huoltopyynnön;
- pyytää selventäviä tietoja IKEA-keittiökalusteisiin tarkoitettun IKEA-laitteen asennuksesta;
- haluat pyytää lisäohjeita koskien IKEA-kodinkoneiden toimintoja.

Varmistaaksemme, että saat parhaan mahdollisen avun, pyydämme tutustumaan huolellisesti asennusohjeisiin ja/tai käyttöohjeisiin ennen yhteydenottoa.

Yhteydenotot palvelua tarvittaessa



Löydät IKEAn nimeämien asiakaspalvelun tarjoajien puhelinnumerot tämän oppaan lopusta.

- **Jotta saisit nopeampaa palvelua, suosittelemme, että käytät tässä käyttöoppaassa mainittuja puhelinnumeroita. Ilmoita aina tässä oppaassa mainittu kyseessä olevan laitteen numero. Muista liittää mukaan 8-numeroinen tuotenumero ja 22-numeroinen sarjanumero, jotka näkyvät laitteesi tyyppikilvessä.**

- **PIDÄ OSTOKUITTI TALLESSA!** Se on todiste ostosta ja vaaditaan takuuta varten. Lisäksi ostokuitissa on mainittu IKEA-tavaratalon nimi ja kunkin ostetun laitteen tuotenumero (8-numeroinen koodi).

Tarvitsetko lisäapua?

Jos sinulla on kysymyksiä, jotka eivät liity kodinkoneen huoltoon, ota yhteys IKEA-asiakaspalveluun. Ennen yhteydenottoa tutustu huolellisesti laitteen mukana tuleviin ohjekirjoihin.

Varaosien tiedot

- Seuraavat varaosat: termostaatit, lämpötila-anturit, piirilevyt ja valonlähteet ovat ammattikorjaamojen saatavilla vähintään seitsemän vuoden ajan mallin viimeisen yksikön tultua käyttöön markkinoilla.
- Seuraavat varaosat: ovenkahvat, oven saranat, tarjottimet ja korit ovat ammattikorjaamojen ja loppukäyttäjien saatavilla vähintään seitsemän vuoden ajan, oven tiivisteet vähintään 10 vuoden ajan mallin viimeisen yksikön tultua käyttöön markkinoilla.

Varaosat löytyvät osoitteesta: www.ikea.com

Innehåll

Säkerhetsinformation	87	Daglig användning	92
Säkerhetsinstruktioner	88	Rengöring och underhåll	92
Installation	90	Felsökning.....	93
Användning för första gången.....	91	Teknisk information.....	95
Beskrivning av produkten.....	91	Miljöhänsyn	95
Drift.....	91	IKEA Garanti.....	96

Säkerhetsinformation

Läs denna bruksanvisning noggrant före installation och användning av produkten. Tillverkaren ansvarar inte om felaktig installation eller användning orsakar personskador eller materiella skador. Förvara alltid bruksanvisningen tillsammans med produkten för framtida referens.

Säkerhet för barn och personer med nedsatt förmåga



VARNING: Risk för brandfara/lättantändliga material

- Barn från 8 års ålder och personer med nedsatt fysisk, sensorisk eller mental förmåga, eller bristande erfarenhet och kunskap, kan använda produkten under uppsikt eller om de har fått instruktioner om hur produkten kan användas på ett säkert sätt och förutsatt att de förstår vilka faror det innebär. Barn får inte leka med spisen. Rengöring och underhåll ska inte utföras av barn utan uppsikt. Barn bör hållas under uppsikt för att se till att de inte leker med apparaten.
- Denna produkt kan användas av barn mellan 3 och 8 år och personer med mycket omfattande och komplexa funktionsnedsättningar om de har fått rätt instruktioner.
- Barn under 3 år bör hållas borta om de inte kontinuerligt övervakas.
- Låt inte barn leka med produkten.
- Barn får inte utföra rengöring och användarunderhåll av produkten utan övervakning.

- Barn mellan 3 och 8 år får fylla på och ta ur matvaror ur kylskåpet.
- Håll all förpackning borta från barn och kassera den på lämpligt sätt.

Säkerhetsföreskrifter

- Denna produkt är avsedd för användning i hushåll och liknande tillämpningar såsom:
 - områden för personalkök i butiker, kontor eller andra arbetsmiljöer;
 - lantgårdar och av kunder i hotell, motell och andra bostadsmiljöer;
 - i typiska miljöer såsom bed and breakfast;
 - catering och liknande icke butikstillämpningar.
- **VARNING:** Håll ventilationsöppningarna i produktens hölje, eller i den inbyggda strukturen, fria från hinder.
- **VARNING:** Använd inte mekaniska redskap eller andra sätt att påskynda avfrostningsprocessen, utöver dem som rekommenderas av tillverkaren.
- **VARNING:** Skada inte kylkretsen.
- **VARNING:** Använd inte elektriska apparater inne i förvaringsutrymmena om de inte är av den typ som rekommenderas av tillverkaren.
- **VARNING:** Spruta inte vatten eller ånga för att rengöra produkten.
- **VARNING:** Rengör produkten med en fuktig, mjuk trasa. Använd bara neutrala rengöringsmedel. Använd inte produkter med slipeffekt, skursvampar, lösningsmedel eller metallföremål.

- **VARNING:** Förvara inga explosiva ämnen såsom aerosolburkar med brandfarlig drivgas i denna produkt.
- **VARNING:** Om strömsladden är skadad måste den bytas ut av tillverkaren, dess serviceagent eller annan behörig person för att undvika fara.
- **VARNING:** Se till att sladden inte fastnar eller skadas vid placering av apparaten.
- **VARNING:** Placera inte flera bärbara uttag eller bärbara nätaggregat på produktens baksida.
- Att öppna dörren under längre perioder kan orsaka en betydande temperaturökning i produktens utrymmen.
- Rengör regelbundet ytor som kan komma i kontakt med mat samt tillgängliga dräneringssystem.
- Rengör vattentankar om de inte har använts på 48 timmar. Spola rent i vattensystemet som är anslutet till en vattenförsörjning om vattnet inte har använts under fem dagar.
- Förvara rått kött och fisk i lämpliga behållare i kylskåpet så att det inte kommer i kontakt med eller droppar på annan mat.
- Stäng av, frosta av, rengör, torka och låt dörren vara öppen för att förhindra att mögel utvecklas i kylskåpet om det lämnas tomt under längre perioder.
- Denna kylapparat är inte lämplig för att frysa livsmedel.
- Detta kylskåp är inte avsett att användas som en inbyggd produkt.
- Frysack för mat med två stjärnor är lämpliga för att förvara redan fryst mat samt förvara eller framställa glass och isbitar.
- En-, två- och tre-stjärniga fack är inte lämpliga för att frysa färsk mat.
- **VARNING:** För att undvika en fara på grund av att produkten är instabil måste den fixeras i enlighet med instruktionerna.

Säkerhetsinstruktioner

Installation

- ⚠ **VARNING!** Endast en kvalificerad person får montera apparaten.
- Avlägsna allt förpackningsmaterial.
- Installera eller använd inte en skadad produkt.
- Följ installationsinstruktionerna som medföljer apparaten.
- Var alltid försiktig när du flyttar produkten eftersom den är tung. Använd alltid skyddshandskar och täckande skor.
- Var försiktig att inte skada golvet (t.ex. parkett) när apparaten flyttas.
- Se till att apparaten inte placeras nära en värmekälla.
- Installera och nivellera apparaten på ett golv som kan hantera dess vikt och på en plats som är lämplig för både storlek och användningsområde.
- Se till att luft kan cirkulera runt produkten.
- Vänta minst fyra timmar innan du ansluter apparaten till strömförsörjningen vid första monteringen eller efter att ha bytt position på dörren. Denna tid krävs för att oljan ska kunna rinna tillbaka till kompressorn.
- Ta ut stickkontakten från eluttaget innan du utför något arbete på produkten (såsom att flytta dörren).
- Produktens bakre yta måste ställas mot väggen.

- Installera inte produkten där den står i direkt solljus.
- Installera inte den här produkten i områden som är för fuktiga eller för kalla såsom en vinkällare.

Elanslutning

- ⚠ **VARNING!** Risk för brand och elektrisk stöt.
- ⚠ **VARNING!** Se till att sladden inte fastnar eller skadas vid placering av apparaten.
- ⚠ **VARNING!** Använd inte grenuttag eller förlängningssladdar.
- Produkten måste vara jordad.
- Se till att specifikationerna på typskylten är kompatibla med eluttagens märkdata.
- Använd alltid ett korrekt installerat stötsäkert eluttag.
- Kontrollera så att du inte skadar de elektriska komponenterna (t.ex. stickkontakten, nätkabeln, kompressorn). Kontakta en auktoriserad serviceverkstad eller en elektriker för att byta elektriska komponenter.
- Nätkabeln måste vara under stickkontaktens nivå.

- Anslut endast kontakten efter att installationen är slutförd. Kontrollera att stickkontakten är åtkomlig efter installationen.
- Dra inte i strömkabeln för att koppla bort produkten från eluttaget. Ta alltid tag i stickkontakten.
- Endast Storbritannien och Irland:
Denna produkt är försedd med en 13 A stickkontakt. Om det är nödvändigt att byta ut stickkontaktens säkring måste en säkring med 13 A ASTA (BS 1362) användas.

Använd

⚠ VARNING! Risk för skador, brännskador, elstötar eller brand.



Kylkretsens rör innehåller en liten mängd av det miljövänliga men brandfarliga kylmedlet R600a. Det skadar inte ozonskiktet och ökar inte på växthuseffekten. Om kylmedlet läcker kan det skada ögonen eller antändas. Skada inte rören.

- Kompressorns yta kan bli varm under normal drift. Rör inte den med händerna.
- Ändra inte apparatens specifikationer.
- Placera inte elektriska produkter (t.ex. glassmaskiner) i produkten om inte tillverkaren uttryckligen anger att det är lämpligt.
- Om kylkretsen skadas får inga flammor eller antändningskällor finnas i rummet. Ventilera rummet.
- Låt inte varma föremål vidröra plastdelarna i apparaten.
- Förvara inte drycker i flaskor i frysacket för att förhindra att de spricker eller går sönder.
- Förvara inte brandfarliga gaser eller vätskor i apparaten.
- Placera inga lättantändliga produkter eller föremål som är fuktiga med lättantändliga produkter i, nära eller på produkten.
- Vidrör inte kompressorn eller kondensorn. De är heta.
- Ta inte bort eller rör vid föremål i frysacket om händerna är våta eller fuktiga.
- Svälj inte innehållet (icke giftigt) i kylklamparna.
- Åt inte isbitar eller isglass direkt efter att de har tagits ut ur frysen då de kan orsaka köldskador.
- Tinad mat får inte läggas tillbaka i frysacket.
- Följ förvaringsinstruktionerna på livsmedelsförpackningen.

Intern belysning

⚠ VARNING! Risk för elektrisk stöt.

- Glödlampan används inuti apparaten är speciellt tillverkad för hushållsapparater och är inte lämplig för allmän rumsbelysning i hemmet ((EU) 2019/2020).

Skötsel och rengöring

⚠ VARNING! Risk för personskador och skador på produkten.

- Stäng av produkten och koppla bort den från eluttaget före underhåll.
- Produktens kylenhet innehåller kolväten. Det är endast en kvalificerad person som får utföra underhåll och fylla på enheten.
- Undersök regelbundet produktens dräneringskanal och rengör den vid behov. Om dräneringskanalen täpps igen kommer avfrostat vatten att samlas på produktens botten.

Service

- Kontakta ett auktoriserat servicecenter såsom visas i slutet av denna användarmanual för att reparera produkten.
- Använd endast originalreservdelar.

Kassering

⚠ VARNING! Risk för personskador eller kvävning.

- Koppla loss produkten från eluttaget.
- Klipp av strömsladden och släng den.
- Ta bort dörren för att hindra att barn eller djur stängs in inuti produkten.
- Kylmedelskretsen och isoleringsmaterialen i denna produkt är ozonvänliga.
- Isoleringsmaterialet innehåller brandfarlig gas. Kontakta kommunen för information om hur produkten ska kasseras på rätt sätt.
- Skada inte den delen av kylenheten som är nära värmeväxlaren.

Tillverkaren fransäger sig allt ansvar för personskador eller skador på djur eller egendom, om ovanstående råd och försiktighetsåtgärder inte efterlevs.

Installation

⚠ VARNING! Läs säkerhetsinformationen i detta häfte noggrant innan apparaten monteras.

Installationschecklista

Dörr

- Dörren tätar helt mot skåpet på alla sidor
- Dörren är i nivå och justerad

Nivellera

- Kylskåpet är nivellerat

Elektrisk energi

- Vänta 4 timmar
- Husets ström är på
- Kylskåpet är anslutet

Slutliga kontroller

- Att förpackningsmaterial har tagits bort
- Kylskåpstemperatur inställd

Placering

- Följ de separata monteringsanvisningarna för att montera den här produkten.
- Installera apparaten på en plats där omgivningstemperaturen motsvarar den klimatklass som anges på dess typskylt. Detta garanterar apparatens korrekta funktion. Förklaring av klimatklasser är som följer:

Klimatklass	Intervall på rumstemperatur
SN	+10 °C till +32 °C
N	+16 °C till +32 °C
ST	+16 °C till +38 °C
T	+16 °C till +43 °C

- "SN" indikerar att detta kylskåp är avsett att användas vid omgivningstemperaturer från 10 till 32 °C.
- "N" indikerar att detta kylskåp är avsett att användas vid omgivningstemperaturer från 16 till 32 °C.
- "ST" indikerar att detta kylskåp är avsett att användas vid omgivningstemperaturer från 16 till 38 °C.
- "T" indikerar att detta kylskåp är avsett att användas vid omgivningstemperaturer från 16 till 43 °C.

- ⓘ För vissa modeller av apparater kan vissa funktionella problem uppstå när de arbetar utanför de indikerade temperaturintervallen. Korrekt funktionalitet kan endast garanteras inom det indikerade temperaturintervallet. Kontakta leverantören, vår kundservice eller närmaste auktoriserade serviceverkstad om du är osäker på monteringen.

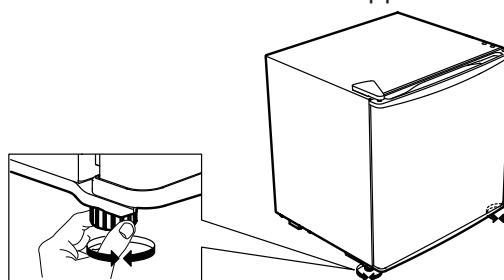
Plats

För att säkerställa bästa prestanda ska produkten monteras på ett säkert avstånd från värmekällor såsom element, varmvattenberedare och direkt solljus. Se till att luft kan cirkulera fritt runt skåpets baksida.

Nivellera apparaten

Om apparaten lutar på något sätt ska du justera höjden de två främre fötterna för att nivellera den. Se de separata monteringsanvisningarna för detaljerade anvisningar.

1. Koppla bort produktens stickkontakt från eluttaget.
2. Vrid foten medurs för att höja produkten. Vrid foten moturs för att sänka apparaten.



Rengöra apparaten

Innan apparaten används för första gången ska den rengöras för att ta bort den typiska lukten som kommer från en helt ny produkt.

1. Garantera att apparaten är bortkopplad från eluttaget.
2. Torka av insidan med en mjuk och torr trasa.
3. Diska de interna tillbehören med ljummet vatten och neutral tvål. Torka dem sedan noggrant.

VARNING!

Använd inte slipande eller sura rengöringsmedel eller lösningsmedel. De får inte heller innehålla klorid.

- Använd inte skurande eller slipande svampar. Metallytorna kan korrodera.
- Rengör aldrig tillbehören i en diskmaskin. De kan bli deformerade.

Elanslutning

⚠ VARNING! Allt elektriskt arbete som krävs för att montera denna apparat ska utföras av en behörig elektriker eller behörig person.

⚠ VARNING! Denna produkt måste vara jordad. Underlåtenhet att följa dessa anvisningar kan leda till dödsfall, brand eller elektrisk stöt.

Tillverkaren avvisar allt ansvar om dessa säkerhetsåtgärder inte följs. Apparaten uppfyller EEC-direktiven.

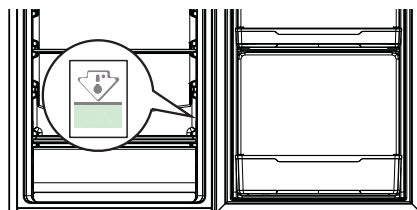
Användning för första gången

Anslut apparaten till strömförsörjningen. De bästa förvaringstemperaturerna för livsmedel är redan fabriksinställda (medelhög).

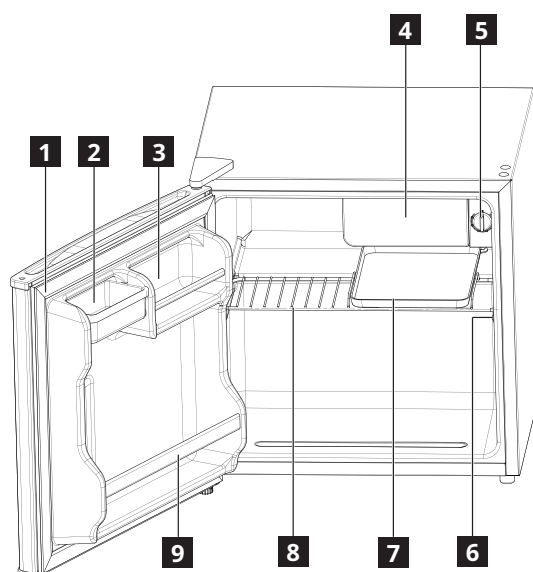
Obs: Efter att apparaten har slagits på behöver den 4–5 timmar för att uppnå korrekt temperatur för att förvara en typisk volym mat.

Viktigt!

I enlighet med bestämmelser i vissa länder måste den vara försedd med en speciell enhet (se bilden nedan) placerad i kylskåpets nedre del för att indikera den kallaste zonen i den.



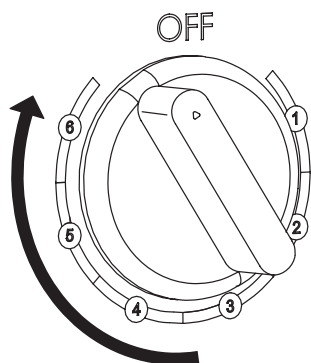
Beskrivning av produkten



- 1** Dörrtätning
- 2** Förvaringslåda
- 3** Burkhållare
- 4** Kylfack

- 5** Temperaturreglage
- 6** Typskylt
- 7** Dropptråg
- 8** Hylla
- 9** Flaskhylla

Drift



Slå på

Sätt i stickkontakten i ett eluttag och justera temperaturen. Apparaten slås på och dess drift påbörjas.

Justera temperaturen

Temperaturen regleras automatiskt.

Justera temperaturen:

- Vrid temperaturreglaget mot en lägre inställning för att höja temperaturen.
- Vrid temperaturreglaget mot en högre inställning för att sänka temperaturen.

i En inställning i mitten är i regel bäst.

Justera temperaturinställningen och tänk på att temperaturen inne i produkten beror på:

- rumstemperatur
- hur ofta dörren öppnas
- mängden matvaror som förvaras
- produktens placering

Viktigt! Om omgivningstemperaturen är hög eller om produkten är full av matvaror samtidigt som den är inställd på den lägsta temperaturen, kan den komma att gå oavbrutet och orsaka frost på den bakre väggen. I detta fall måste en högre temperatur ställas in för att möjliggöra automatisk avfrostning och därmed reducerad energiförbrukning.

Daglig användning

Tips för kylning av färska livsmedel

- Täck över eller förpacka maten, särskilt om den har en stark smak.
- Placera maten så att luften kan cirkulera fritt runt den.
- Uppnå bäst prestanda genom att lämna tillräckligt med utrymme i kylskåpet för att luft ska kunna cirkulera runt förpackningarna. Lämna också tillräckligt utrymme på framsidan så att dörren kan stängas ordentligt.
- Förvara inte varm mat eller flyktiga vätskor i kylskåpet.
- Tillagad mat och kalla rätter: täck och placera på valfri hylla.
- Frukt och grönsaker: rengör noggrant och lägg i grönsakslådan. Bananer, potatis, lök och vitlök får inte förvaras i kylen om de inte är förpackade.
- Smör och ost: Placera i en speciell lufttät behållare eller linda in aluminiumfolie eller en polyetenpåse för att utesluta så mycket luft som möjligt.
- Flaskor: stäng med lock och placera på dörrhyllorna.

Tips för energibesparingar

- Installera apparaten i ett torrt och välventilerat utrymme långt borta från värmekällor (såsom element, spis osv.) och på en plats som inte utsätts för direkt solljus. Använd vid behov en isoleringsplatta.

Rengöring och underhåll

Allmänna tips

- Rengör apparaten regelbundet med en trasa och en lösning med varmt vatten och ett neutralt diskmedel, speciellt framtaget för kylskåpsinteriorer. Använd inte slipande rengöringsmedel eller verktyg.

Tips:

- Ju lägre inställd temperatur, desto längre tid kan maten förvaras säkert. Apparaten förbrukar dock mer elektricitet.
- Ju högre inställd temperatur, desto snabbare blir maten som förvaras dålig. Apparaten förbrukar dock mindre elektricitet.

Stänga av

Du kan stänga av apparaten genom att vrida temperaturreglaget till det pekar mot läget "OFF" Dra sedan ut stickkontakten från eluttaget.

- Följ installationsanvisningarna för att garantera tillräcklig ventilation.
- Otillräcklig ventilation på baksidan av produkten ökar energiförbrukningen och reducerar effektiviteten hos kylningen.
- Den interna temperaturen i apparaten kan påverkas av omgivningstemperaturen, hur ofta dörren öppnas samt dess placeringen. Temperaturinställningen bör regleras med hänsyn till dessa faktorer.
- Låt varm mat och dryck svalna innan de placeras i apparaten.
- Blockera inte fläkten (om tillgänglig) med matvaror.
- Se till att dörren stängs ordentligt, särskilt dörren till frysen, efter att ha placerat eller tagit bort mat.
- Håll dörren öppen under så kort tid som möjligt.
- Placera mat i kylen när den ska tinas. Den låga temperaturen på de frysta produkterna kyler maten i kylskåpet.
- Hyllornas placering i kylskåpet har ingen inverkan på en effektiv energianvändning. Mat ska placeras på hyllorna på ett sätt som säkerställer luftcirkulationen (mat bör inte vidröra varandra och avståndet mellan mat och den bakre väggen bör respekteras).
- Skadade packningar måste bytas ut så snart som möjligt.

- Innan du utför underhåll eller rengör apparaten ska den kopplas bort från elnätet eller strömförsörjningen.

VARNING! Kylskåpets tillbehör är inte diskmaskinsäkra.

Avfrosta produkten

- Avfrosta apparaten när frosten på ytan av förångaren blir mellan 3–4 mm tjockt.
- Ta ut all mat och stäng av apparaten innan den avfrostas. Placera dropptråget under förångaren för att samla upp smältvattnet.
- När all frost har smält ska du hålla bort vattnet, torka insidan av apparaten med en torr trasa och sedan slå på den igen.

Om apparaten inte används under en längre tidsperiod

1. Stäng av apparaten.
2. Koppla bort apparaten från eluttaget.
3. Plocka ur alla matvaror.
4. Frosta av och rengör apparaten.
5. Lämna dörrarna öppna för att låta luft cirkulera inuti utrymmena. Detta förhindrar att mögel och obehagliga lukter bildas.

Vid ett strömavbrott

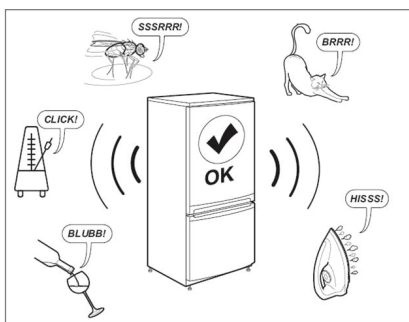
- Håll apparatens dörrar stängda. Detta låter maten hålla sig kall så länge som möjligt.

Felsökning

Problem	Möjlig orsak	Lösning
Apparaten fungerar ej.	Produkten är avstängd.	Sätt på produkten.
	Stickkontakten sitter inte ordentligt i eluttaget.	Sätt i stickkontakten ordentligt i eluttaget.
	Eluttaget är strömlöst.	Anslut en annan elektrisk apparat till eluttaget för att ta reda på om det fungerar. Kontakta en behörig elektriker för att reparera eluttaget.
Produkten bullrar.	Produkten är inte stabilt placerad.	Nivellera apparaten. Se "Nivellera apparaten" eller de separata monteringsanvisningarna.
Kompressorn är i drift kontinuerligt.	Den inställda temperaturen är för låg.	Ställ in en högre temperatur. Se "Drift".
	Många matvaror placerades samtidigt.	Vänta några timmar och kontrollera sedan temperaturen igen.
	Rumstemperaturen är för hög.	Placera apparaten på en annan plats om så är möjligt. Se "Placering".
	Alltför varm mat har lagts in.	Låt matvaror svalna till rumstemperatur innan de ställs in.
	Dörren är inte ordentligt stängt.	Se avsnittet "Stängning av dörren".
Temperaturen i produkten är för låg/hög.	Temperaturen är inte korrekt inställd.	Ställ in en högre/lägre temperatur.
	Dörren är inte ordentligt stängt.	Se avsnittet "Stängning av dörren".
	Alltför varm mat har lagts in.	Låt matvaror svalna till rumstemperatur innan de ställs in.
	Många matvaror placerades samtidigt.	Lägg in mindre matvaror samtidigt.
	Frostlagret är mer än 4–5 mm tjockt.	Frosta av produkten.
	Dörren öppnades för ofta.	Öppna dörren endast vid behov.
	Det finns inte tillräckligt med cirkulation av kall luft i produkten.	Placera om maten så att luften kan cirkulera fritt inom apparaten.
Dörren stängs inte helt.	Se avsnittet "Stängning av dörren".	Se avsnittet "Stängning av dörren".

Normala ljud

Det är normalt att kylsystemet avger vissa ljud såsom gurglande och väsande.



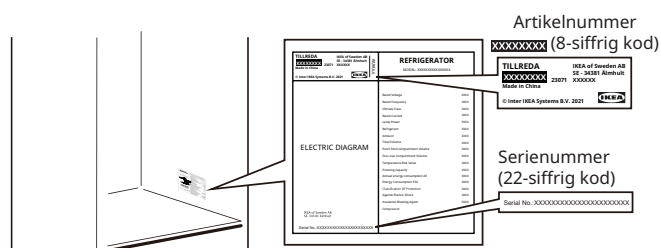
Stänga dörren

Om	Gör följande
Dörrens tätningar är smutsiga.	Rengör dem.
Dörrens tätningarna är skadade.	Kontakta kundtjänsten för att byta ut dem.
Dörren är blockerad av hyllor, lådor eller matvaror osv.	Placera om föremålen, eller ta bort de, som blockerar dörren.
Produkten är inte nivellerad.	Nivellera apparaten. Se "Nivellera apparaten" eller de separata monteringsanvisningarna.
Dörren är inte i linje med skåpet.	Justera dörren. Se de separata monteringsanvisningarna.

Innan du kontaktar kundtjänst:

Starta om apparaten för att se om problemet har åtgärdats. Stäng av apparaten igen och upprepa åtgärden efter en timme om problemet kvarstår. Om apparaten fortfarande inte fungerar som den ska efter att kontrollerna i felsökningsguiden har utförts och apparaten har slagits på igen bör du kontakta kundtjänst, förklara problemet tydligt och ange:

- vad problemet handlar om
 - inköpsdatumet
 - apparatens modell och serienummer
- ❶ Artikelnumret och serienumret finns på typskylten på apparatens inre högra sida.



Bilden är endast för referens


Teknisk information

Produktkategori	
Produkttyp	Kylskåp
Installationstyp	Fristående
Produktens mått	
Höjd	492 mm
Bredd	472 mm
Djup	450 mm
Nettovolym	
Kylskåp	43,0 l
Avfrostningssystem	
Kylskåp	Manuell
Övriga specifikationer	
Stjärnmärkning	-
Tid för höjning av temperaturen	-
Energiförbrukning	80 kWh/år
Ljudnivå	41 dB(A)
Energiklass	E
Märkspänning	220 - 240 V~
Märkfrekvens	50 Hz
Ljuskällans energieffektivitetsklass	-

Obs: Information om produkten i produkt databasen kan erhållas genom att skanna QR-koden på EPREL-etiketten.

Miljöhänsyn

1. Förpackningsmaterial

Återvinningsbara material är märkta med symbolen . Släng förpackningsmaterialet i relevanta behållare för att återvinna det.

Förvara förpackningsmaterial (plastpåsar och frigolit osv.) utom räckhåll för barn då de utgör en potentiell fara.

2. Kassering/bortskaffande

Apparaten är tillverkad av återvinningsbart material. Den här apparaten är märkt i enlighet med det europeiska direktivet 2002/96/EC om avfall från elektrisk och elektronisk utrustning (WEEE). Att säkerställa korrekt kassering av den här apparaten innebär att du bidrar till att förhindra potentiellt negativa konsekvenser för miljön och människors hälsa.

Symbolen  på apparaten eller på de medföljande

dokumenterna anger att den här apparaten inte ska bearbetas som hushållsavfall. Den ska istället lämnas till en specialiserad återvinningscentral för återvinning av elektrisk och elektronisk utrustning. När apparaten kasseras ska den göras obrukbar genom att klippa av strömsladden samt ta bort dörrar och hyllor vilket hindrar barn från att lätt klättra in, och fastna, i apparaten.

Skrota apparaten i enlighet med lokala bestämmelser beträffande avfallshantering och ta den till en specialiserad återvinningscentral. Lämna inte apparaten obebakad under några omständigheter då den är en potentiell fara för barn.

För ytterligare information om bearbetning, upphämtning och återvinning av den här produkten kan du kontakta din lokala myndighet, återvinningstjänsten för hushållsavfall eller butiken där apparaten köptes.

Försäkran om efterlevnad

- Den här apparaten har utformats för att konservera mat och är tillverkad i enlighet med förordning (EC) nr. 1935/2004.



- Den här apparaten har utformats, tillverkats och marknadsförts i enlighet med:
 - säkerhetssyften i "lågspänningsdirektivet" 2014/35/EU (som ersätter 2006/95/CE och efterföljande ändringar);

- skyddskraven i direktivet "EMC" 2014/30/EU.
- Den här apparaten har utformats, tillverkats och marknadsförts i enlighet med:
 - Elektromagnetisk kompatibilitet hos utrustning 2016
 - Föreskrifter för elektrisk utrustning (säkerhet) 2016



IKEA Garanti

Hur länge gäller garantin?

Garantin är giltig i **två år** från inköpsdatumet om inte annat anges enligt nationell lagstiftning. I Norge, Portugal och Spanien är garantin giltig i tre år från leveransdatum till kunden om inte annat anges enligt nationell lagstiftning. Originalkvittot krävs som inköpsbevis. Om arbete utförs enligt garantin förlängs inte garantiperioden för produkten eller för de nya delarna.

Vem utför service?

IKEA-tjänsteleverantören tillhandahåller tjänsten genom sina egna serviceverksamheter eller auktoriserade servicepartnernätverk.

Vad täcks av denna garanti?

Garantin omfattar fel på vitvaran, vilka orsakats av material- eller produktionsfel som fanns vid den tidpunkt produkten köptes på IKEA. Garantin gäller endast för hemmabruk. Undantagen specificeras under rubriken "Vad omfattas inte av den här garanti". Inom garantiperioden ersätts kostnader för att åtgärda felet – t.ex. reparationer, reservdelar, arbete och resor – förutsatt att vitvaran är tillgänglig för reparation utan särskilda kostnader. På dessa villkor gäller EU:s riktlinjer (Nr. 99/44/EG) och respektive lokala bestämmelser. Utbytta delar tillfaller IKEA.

Vad gör IKEA för att åtgärda problemet?

IKEA:s godkända tjänsteleverantör kommer att undersöka produkten och beslutar, efter eget gottfinnande, om den omfattas av denna garanti. Om IKEA:s tjänsteleverantör eller dess auktoriserade servicepartner betrakta produkten som täckt av garantin kommer de genom sina egna serviceverksamheter, efter eget gottfinnande, antingen att reparera den defekta produkten eller ersätta den med samma eller en jämförbar produkt.

Vad omfattas inte av den här garantin?

- Normalt slitage.
- Skador orsakade avsiktligt eller genom oaktsamhet, genom underlåtenhet att följa bruksanvisningen, felaktig installation eller anslutning till fel spänning, skador orsakade genom kemisk eller elektrokemisk reaktion, rost, korrosion eller vattenskador vilket inkluderar, men inte är begränsat till, skador orsakade av tillförsel av vatten med onormalt hög kalkhalt samt skador orsakade av onormala miljöförhållanden.
- Förbrukningsartiklar, inklusive batterier och lampor.
- Icke-funktionella och dekorativa delar som inte påverkar normalt bruk av vitvaran inklusive repor och eventuella färgskillnader.
- Oavsiktliga skador orsakade av främmande föremål eller ämnen vid rengöring eller rensning av filter, dräneringssystem eller diskmedelsfack.
- Skador på följande delar: keramiskt glas, tillbehör, över- och underkorgar, bestickkorgar, tillförsel- och avloppsslangar, tätningar, lampor och lampskydd, displayer, vred, höljen och delar av höljen. Förutom när sådana skador kan bevisas bero på produktionsfel.
- Fall där inga fel kunde hittas under en teknikerns besök.
- Reparationer som inte utförts av ett utsett serviceföretag och/eller en auktoriserad servicepartner, eller om andra reservdelar än originaldelar använts.
- Reparationer orsakade av felaktig installation eller installation som inte utförts enligt anvisningarna.
- Användning av vitvaran i ett professionellt sammanhang, dvs ej för hemmabruk.
- Transportskador. Om en kund själv transporterar produkten hem till sig eller till någon annan adress, har IKEA inget ansvar för eventuella skador som kan uppstå under transporten. Om IKEA däremot levererar produkten till kundens leveransadress täcker IKEA eventuella skador som uppstår under den här transporten.

- Kostnad för att utföra den initiala installationen av IKEA-vitvaran. Om däremot något av IKEA utsett serviceföretag eller dess auktoriserade servicesamarbetspartner reparerar eller byter ut vitvaran enligt villkoren i denna garanti kommer det utsedda serviceföretaget eller dess auktoriserade servicesamarbetspartner att återinstallera den reparerade vitvaran eller installera utbytesvaran, om så behövs.

Dessa begränsningar gäller inte felfritt arbete som utförs av en kvalificerad specialist som använder våra originaldelar för att anpassa produkten till de tekniska säkerhets-specifikationerna i ett annat EU-land.

Så här tillämpas nationella lagar

I Sverige tillämpar IKEA konsumentköplagen och köplagens reklamationsrätt. Den här garantin ger dig särskilda juridiska rättigheter utöver reklamationsrätten.

Garantins internationella giltighet

För vitvaror som köps i ett EU-land och sedan tas till ett annat EU-land lämnas service inom ramen för normala garantivillkor i det nya landet.

Skyldighet att utföra service inom garantins ram finns endast om vitvaran överensstämmer med och är installerad i enlighet med:

- de tekniska specifikationerna för det land där garantianspråket görs;
- monteringsanvisningarna samt användarhandbokens säkerhetsinformation.

Den dedikerade KUNDSERVICEN för IKEA-apparater

Tveka inte att kontakta IKEA:s indikerade kundservice för att:

- begära service i enlighet med denna garanti;
- be om förtydligande gällande monteringen av IKEA-apparaten i de dedikerade IKEA-köksmöblerna;
- be om förtydligande om funktioner hos vitvaror från IKEA.

För att vara säker på att vi kan ge dig bästa möjliga hjälp, läs monteringsanvisningarna och/eller användarhandboken noggrant innan du tar kontakt med oss.

Så här når du oss om du behöver vår hjälp



Du kan hitta telefonnummer till IKEA:s utsedda kundserviceleverantörer i slutet av den här användarmanualen.

- ① **För att få en snabbare tjänst rekommenderar vi att du använder de specifika telefonnummer som anges i slutet av den här användarmanualen. Använd alltid telefonnumren som anges i användarmanualen för den specifika apparat du behöver hjälp med. Kom ihåg att ange det 8-siffriga artikelnumret och det 22-siffriga serienumret som visas på apparatens typskylt.**
- ① **SPARA ALLTID INKÖPSKVITTOT!** Det gäller som inköpsbevis. Du måste kunna uppvisa ditt inköpskvitto för att garantin ska gälla. Detta kvitto anger också IKEA namn och artikelnummer (8 siffror) för varje produkt du har köpt.

Behöver du extra hjälp?

För övriga frågor som inte är relaterade till kundtjänst för vitvaror, ber vi dig kontakta kundtjänst på närmaste IKEA-varuhus. Läs alltid all produktokumentation noggrant innan du kontaktar oss.

Information om reservdelar

- Följande reservdelar: termostater, temperatursensorer, kretskort och ljuskällor kommer att vara tillgängliga för professionella reparatörer under minst sju år efter att den sista enheten av modellen har placerats för försäljning på marknaden.
- Följande reservdelar: dörrhandtag, dörrgångjärn, hyllor och lådor kommer att vara tillgängliga för professionella reparatörer och slutanvändare under en period på minst sju år – och dörrpackningar under en period på minst 10 år – efter att den sista enheten av modellen har placerats för försäljning på marknaden.

Reservdelarna kan hittas på: www.ikea.com

Índice

Informações relativas à segurança.....	98	Utilização diária.....	104
Instruções de segurança.....	99	Limpeza e manutenção.....	104
Instalação.....	101	Resolução de problemas.....	105
Primeira utilização	102	Informação técnica.....	107
Descrição do Produto.....	103	Questões ambientais.....	107
Funcionamento	103	Garantia IKEA.....	108

Informações relativas à segurança

Antes da instalação e utilização do eletrodoméstico, leia atentamente as instruções fornecidas. O fabricante não se responsabiliza se uma instalação ou utilização incorrecta causar ferimentos ou danos. Guarde sempre as instruções com o eletrodoméstico para consulta no futuro.

Segurança das crianças e das pessoas vulneráveis



AVISO: Risco de incêndio/
materiais inflamáveis

- Este eletrodoméstico pode ser utilizado por crianças a partir de 8 anos, por pessoas com capacidades mentais, sensoriais ou físicas reduzidas, ou com pouca experiência e conhecimentos, se tiverem recebido supervisão ou instruções relativas à utilização do eletrodoméstico de uma forma segura, e se compreenderem os perigos envolvidos. As crianças não devem brincar com o eletrodoméstico. A limpeza e a manutenção por parte do utilizador não devem ser realizadas por crianças sem supervisão. As crianças devem ser supervisionadas e impedidas de utilizar o aparelho como brinquedo.
- Este eletrodoméstico pode ser utilizado por crianças entre os 3 e os 8 anos de idade, e por pessoas com deficiências extensas e complexas, se tiverem recebido as devidas instruções.
- Crianças com menos de 3 anos de idade devem ser mantidas afastadas, exceto se continuamente vigiadas.
- Não deixe que crianças brinquem com o eletrodoméstico.
- As crianças não devem realizar operações de limpeza e manutenção do aparelho sem a devida supervisão.
- As crianças com idades entre os 3 e os 8 anos estão autorizadas a carregar e descarregar aparelhos de refrigeração.
- Mantenha todas as embalagens fora do alcance das crianças e elimine as mesmas de forma adequada.

Segurança geral

- Este eletrodoméstico deve ser utilizado num ambiente doméstico e em aplicações similares, tais como:
 - áreas de cozinha para funcionários de lojas, escritórios e outros ambientes de trabalho;
 - quintas e por clientes em hotéis, motéis e outros ambientes residenciais;
 - ambientes do tipo alojamentos com pequeno almoço;
 - catering e aplicações similares não comerciais.
- **AVISO:** Mantenha desimpedidas as aberturas de ventilação na caixa do eletrodoméstico ou na estrutura integrada.
- **AVISO:** Não utilize dispositivos mecânicos ou outros meios para acelerar o processo de descongelamento, para além daqueles recomendados pelo fabricante.
- **AVISO:** Não danifique o circuito de refrigeração.

- **AVISO:** Não utilize aparelhos elétricos no interior de compartimentos para armazenamento de comida do eletrodoméstico, a menos que sejam do tipo recomendado pelo fabricante.
- **AVISO:** Não utilize pulverização e vapor de água para limpar o eletrodoméstico.
- **AVISO:** Limpe o eletrodoméstico com um pano macio e humedecido. Utilize apenas detergentes neutros. Não utilize produtos abrasivos, esfregões de limpeza abrasivos, solventes ou objetos metálicos.
- **AVISO:** Não guarde substâncias explosivas, como latas de aerossol com um propulsor inflamável, no interior deste eletrodoméstico.
- **AVISO:** Caso o cabo de alimentação esteja danificado, a sua substituição deve ser efectuada pelo seu fabricante, pelo serviço de assistência técnica ou por um técnico qualificado, a fim de evitar um acidente.
- **AVISO:** Ao posicionar o eletrodoméstico, certifique-se de que o cabo de alimentação não fica preso ou danificado.
- **AVISO:** Não coloque tomadas múltiplas portáteis ou fontes de alimentação portáteis na parte traseira do eletrodoméstico.
- Manter a porta aberta durante períodos de tempo prolongados pode provocar um aumento significativo da temperatura nos compartimentos do eletrodoméstico.
- Limpe regularmente as superfícies que possam estar em contacto com os alimentos e os sistemas de drenagem acessíveis.
- Limpe os depósitos de água se estes não tiverem sido utilizados durante 48 horas; limpe o sistema de águas ligado à rede de abastecimento se a água não tiver sido escoada há mais de 5 dias.
- Guarde carne e peixe crus em recipientes adequados no frigorífico, de forma a que não estejam em contacto com nem pinguem sobre outros alimentos.
- Se o aparelho de refrigeração ficar vazio durante longos períodos de tempo, desligue, descongele, limpe, seque e deixe a porta aberta para prevenir o desenvolvimento de bolor no interior do eletrodoméstico.
- Este frigorífico não é indicado para o congelamento de produtos alimentares.
- Este aparelho de refrigeração não se destina a ser utilizado como eletrodoméstico encastrado.
- Os compartimentos para alimentos congelados com duas estrelas são adequados para o armazenamento de alimentos pré-congelados, para o armazenamento ou fabrico de gelados e para fazer cubos de gelo.
- Os compartimentos de uma, duas e três estrelas não são adequados para o congelamento de alimentos frescos.
- **AVISO:** Para evitar riscos decorrentes da instabilidade do eletrodoméstico, este deve ser fixado de acordo com as instruções.

Instruções de segurança

Instalação

- **AVISO!** Este eletrodoméstico deve ser instalado apenas por uma pessoa qualificada.
- Remova todas as embalagens.
- Não instale ou utilize um eletrodoméstico danificado.
- Siga as instruções de instalação fornecidas com o eletrodoméstico.
- Tenha cuidado sempre que mover o eletrodoméstico, pois este é pesado. Utilize sempre luvas de segurança e calçado fechado.
- Tenha cuidado para não danificar o chão (p. ex., parkê) ao deslocar o aparelho.
- Certifique-se de que o aparelho não se encontra perto de uma fonte de calor.
- Instale e nivele o aparelho num pavimento suficientemente resistente para suportar o seu peso e num local adequado ao seu tamanho e utilização.
- Certifique-se de que o ar pode circular à volta do eletrodoméstico.
- Na primeira instalação, ou depois de inverter a porta, aguarde pelo menos 4 horas antes de ligar o eletrodoméstico à alimentação elétrica. Tal precaução permite que o óleo flua novamente para o compressor.

- Antes de realizar quaisquer operações no eletrodoméstico (p. ex., inverter a porta), remova a ficha da tomada elétrica.
- A parte traseira do eletrodoméstico tem de estar em contacto direto com a parede.
- Não instale o eletrodoméstico num local com luz solar direta.
- Não instale este eletrodoméstico em zonas demasiado húmidas ou demasiado frias, como adegas.

Ligação elétrica

⚠ AVISO! Risco de incêndio e de choque elétrico.

⚠ AVISO! Ao posicionar o eletrodoméstico, certifique-se de que o cabo de alimentação não fica preso ou danificado.

⚠ AVISO! Não utilize adaptadores para múltiplas tomadas ou cabos de extensão.

- O eletrodoméstico tem de ter uma ligação à terra.
- Certifique-se de que os parâmetros indicados na placa de características são compatíveis com as especificações elétricas da rede de abastecimento.
- Utilize sempre uma tomada à prova de choques corretamente instalada.
- Certifique-se de que não danifica os componentes elétricos (por exemplo a ficha de alimentação, o cabo de alimentação e o compressor). Contacte o Centro de assistência autorizado ou um electricista para mudar os componentes elétricos.
- O cabo de alimentação tem de ficar abaixo do nível da ficha de alimentação.
- Ligue a ficha de alimentação à tomada elétrica apenas após concluir a instalação. Certifique-se de que a ficha de alimentação fica acessível após a instalação.
- Não puxe o cabo de alimentação para desligar o eletrodoméstico. Puxe sempre a ficha de alimentação.
- Apenas Reino Unido e Irlanda: Este eletrodoméstico está equipado com uma ficha de 13 A. Se for necessário mudar o fusível da tomada, utilize apenas um fusível 13 A ASTA (BS 1362).

Utilização

⚠ AVISO! Risco de ferimentos, queimaduras, choque elétrico ou incêndio.



Os tubos do circuito de refrigeração contêm uma pequena quantidade de refrigerante R600a, não prejudicial para o ambiente mas inflamável. Este não danifica a camada de ozono e não aumenta o efeito de estufa. Se houver fuga de refrigerante, pode ferir os olhos ou incendiar-se. Não danificar os tubos.

- A superfície do compressor pode ficar quente em condições normais de funcionamento. Não toque na superfície do compressor com as mãos.
- Não altere a especificação deste eletrodoméstico.
- Não coloque aparelhos elétricos (por exemplo, máquinas para fazer gelados) no interior do eletrodoméstico, exceto se permitido pelo fabricante.
- Se o circuito de refrigeração for danificado, certifique-se de que não existem chamas e fontes de ignição na divisão. Ventile a divisão.
- Não deixe que itens quentes toquem nas partes plásticas do eletrodoméstico.
- Não guarde bebidas engarrafadas no compartimento do congelador para evitar rebentamentos ou outras perdas.
- Não armazene líquido ou gás inflamável no interior do eletrodoméstico.
- Não coloque produtos ou itens inflamáveis que estejam molhados com produtos inflamáveis no interior, junto ou em cima do eletrodoméstico.
- Não toque no compressor ou no condensador. Pois estão quentes.
- Não remova nem toque em itens no compartimento de alimentos congelados se as suas mãos estiverem molhadas ou húmidas.
- Não engula o conteúdo (não tóxico) dos sacos de gelo.
- Não ingira cubos de gelo ou chupa-chupas de gelo imediatamente após retirá-los do congelador, pois podem provocar queimaduras pelo frio.
- Os alimentos descongelados não devem ser colocados novamente no compartimento para alimentos congelados.
- Siga as instruções de armazenamento na embalagem dos produtos alimentares congelados.

Iluminação interna

⚠ AVISO! Risco de choque elétrico.

- A lâmpada utilizada no interior do aparelho foi especificamente concebida para eletrodomésticos e não é adequada para a iluminação geral de divisões domésticas ((UE) 2019/2020).

Cuidados e limpeza

⚠ AVISO! Risco de lesões ou danificação do eletrodoméstico.

- Antes de realizar a manutenção, desligue o eletrodoméstico e retire a ficha de alimentação da tomada de alimentação.
- Este aparelho contém hidrocarbonetos na unidade de refrigeração. A manutenção e recarregamento da unidade devem ser realizados apenas por uma pessoa qualificada.
- Verifique regularmente o canal de drenagem do eletrodoméstico e, se necessário, limpe-o. Se o canal de drenagem estiver bloqueado, acumula-se água descongelada na parte inferior do eletrodoméstico.

Assistência

- Para reparar o eletrodoméstico, contacte um Centro de assistência autorizado indicado no final deste manual.
- Utilize apenas peças sobresselentes originais.

Eliminação

⚠ AVISO! Risco de ferimentos ou asfixia.

- Desligue o eletrodoméstico da fonte de alimentação.
- Corte o cabo de alimentação e descarte-o.
- Retire as portas para evitar que crianças e animais de estimação fiquem fechados no interior do eletrodoméstico.

- O circuito de refrigeração e os materiais de isolamento deste eletrodoméstico são amigos do ambiente.
- A espuma de isolamento contém gás inflamável. Contacte a sua Câmara Municipal para obter informações sobre a forma como eliminar corretamente o eletrodoméstico.
- Não danifique a parte da unidade de refrigeração que está junto do permutador de calor.

O fabricante declina qualquer responsabilidade por ferimentos em pessoas ou animais ou por danos materiais se os conselhos e precauções acima referidos não forem respeitados.

Instalação

⚠ AVISO! Antes de instalar o eletrodoméstico, leia atentamente as informações de segurança neste manual.

Lista de verificação de instalação

Porta

- A porta veda completamente o frigorífico em todos os lados
- A porta está nivelada

Nivelamento

- O frigorífico está nivelado

Energia elétrica

- Aguarde 4 horas
- Energia doméstica ligada
- Frigorífico ligado à tomada

Verificações finais

- Material de transporte removido
- Temperatura do frigorífico definida

Posicionamento

- Siga as Instruções de montagem separadas para proceder à instalação deste eletrodoméstico.
- Instale este equipamento num local onde a temperatura ambiente corresponda à classe climática indicada na placa sinalética do equipamento. Isto garante o funcionamento correto do eletrodoméstico. A explicação das classes térmicas é a seguinte:

Classe climática	Intervalo de temperatura ambiente
SN	+10 °C a +32 °C
N	+16 °C a +32 °C
ST	+16 °C a +38 °C
T	+16 °C a +43 °C

- "SN" indica que este eletrodoméstico refrigerador se destina a ser utilizado em temperaturas ambientes que variam entre os 10 °C e os 32 °C.
- "N" indica que este eletrodoméstico refrigerador se destina a ser utilizado em temperaturas ambientes que variam entre os 16 °C e os 32 °C.
- "ST" indica que este eletrodoméstico refrigerador se destina a ser utilizado em temperaturas ambientes que variam entre os 16 °C e os 38 °C.
- "T" indica que este eletrodoméstico refrigerador se destina a ser utilizado em temperaturas ambientes que variam entre os 16 °C e os 43 °C.

ⓘ Para alguns modelos de aparelhos, podem ocorrer alguns problemas de funcionamento quando estes funcionam fora dos intervalos de temperatura especificados. O funcionamento correto só pode ser garantido dentro do intervalo de temperaturas especificado. Se tiver dúvidas quanto à instalação, contacte o seu revendedor, o nosso serviço de apoio ao cliente ou o Centro de assistência autorizado mais próximo.

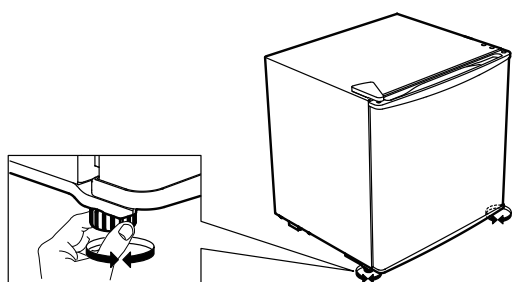
Localização

Para assegurar o melhor desempenho, instale o eletrodoméstico longe de fontes de calor, tais como radiadores, caldeiras e luz solar direta. Certifique-se de que o ar pode circular livremente à volta da parte traseira do recetáculo.

Nivelar o eletrodoméstico

Se o aparelho aparentar estar inclinado, ajuste a altura dos dois pés frontais do mesmo, de forma a nivelá-lo. Consulte as Instruções de montagem separadas para obter instruções detalhadas.

1. Desligue a ficha do eletrodoméstico da tomada elétrica.
2. Gire o pé no sentido dos ponteiros do relógio para elevar o aparelho. Gire o pé no sentido contrário ao dos ponteiros do relógio para baixar o aparelho.



Limpar o eletrodoméstico

Antes de utilizar o eletrodoméstico pela primeira vez, limpe-o para eliminar o cheiro característico de um produto novo.

1. Certifique-se de que o eletrodoméstico se encontra desligado da fonte de alimentação.
2. Limpe o interior com um pano macio e humedecido.
3. Lave os acessórios internos com água morna e um pouco de sabão neutro e seque bem.

CUIDADO!

Não utilize produtos de limpeza ou solventes abrasivos, clorados ou ácidos.

- Não utilize esfregões ou esponjas abrasivas. Podem provocar a corrosão das superfícies metálicas.
- Nunca limpe os acessórios numa máquina de lavar loiça. Podem ficar deformados.

Ligação elétrica

⚠ CUIDADO! Todos os trabalhos elétricos necessários para instalar este eletrodoméstico devem ser realizados por um electricista qualificado ou pessoa competente.

⚠ AVISO! Este aparelho tem de ser ligado à terra. A não observação destas instruções pode resultar em morte, incêndio ou choque elétrico.

O fabricante declina quaisquer responsabilidades em caso de inobservância destas medidas de segurança. Este eletrodoméstico está em conformidade com as Diretivas E.E.C.

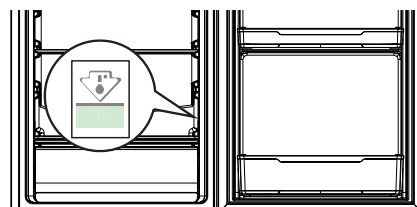
Primeira utilização

Ligue o eletrodoméstico à alimentação. As temperaturas ideais de conservação dos alimentos já vêm reguladas de fábrica (intermédias).

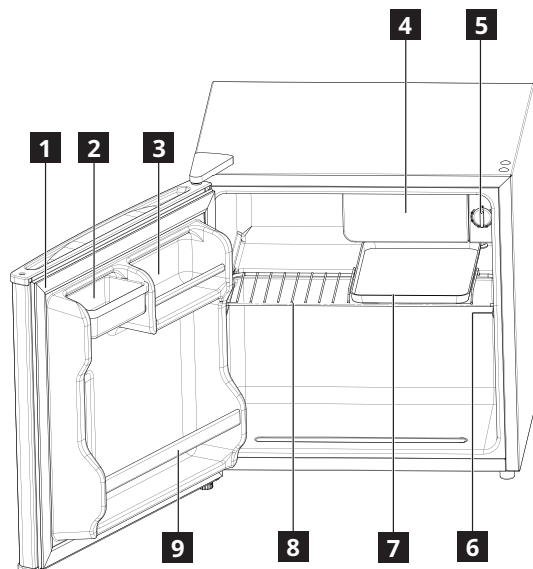
Nota: Depois de ser ligado, o aparelho precisa de 4-5 horas para atingir a temperatura correta para armazenar um volume típico de alimentos.

Importante!

De acordo com os regulamentos de alguns países, é necessário providenciar um dispositivo especial (ver figura abaixo), colocado na parte inferior do compartimento do frigorífico para indicar a zona mais fria.



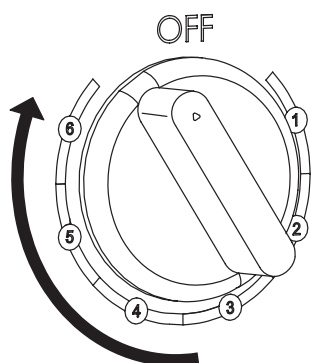
Descrição do Produto



- 1** Junta da porta
- 2** Caixa de armazenamento
- 3** Suporte de latas
- 4** Compartimento de refrigeração

- 5** Regulador da temperatura
- 6** Placa de características
- 7** Tabuleiro para descongelamento
- 8** Prateleira
- 9** Suporte para garrafas

Funcionamento



Ligar

Ligue a ficha de rede a uma tomada elétrica e ajuste a temperatura. O eletrodoméstico liga-se e começa a funcionar.

Ajuste da temperatura

A temperatura é regulada automaticamente.

Para ajustar a temperatura:

- Rode o regulador de temperatura para uma posição mais baixa para reduzir o frio.
- Rode o regulador de temperatura para uma posição mais alta para aumentar o frio.

i Uma definição média é normalmente a mais adequada.

Ajuste a definição da temperatura tendo em conta que a temperatura no interior do eletrodoméstico depende da:

- temperatura ambiente;
- frequência com que a porta é aberta;
- quantidade de alimentos armazenada;
- localização do eletrodoméstico.

Importante! Se a temperatura ambiente for elevada ou o eletrodoméstico estiver cheio, e o frigorífico estiver definido para as temperaturas mais baixas, pode funcionar de forma contínua provocando a formação de gelo na parede traseira. Nesse caso, é necessário definir uma temperatura mais alta para permitir o descongelamento automático e, conseqüentemente, um menor consumo energético.

Sugestões:

- quanto mais baixa for a temperatura, mais tempo pode guardar os alimentos em segurança e mais eletricidade o aparelho consome.
- Quanto mais elevada for a temperatura, mais rapidamente os alimentos armazenados se deterioram e menos eletricidade o aparelho consome.

Desligar

Para desligar o eletrodoméstico, rode o botão de regulação da temperatura para a posição "OFF" e, em seguida, desligue a ficha de alimentação da tomada de corrente.

Utilização diária

Sugestões para a refrigeração de alimentos frescos

- Tape ou embrulhe os alimentos, especialmente se estes emitirem odores fortes.
- Posicione os alimentos de forma a que o ar possa circular livremente em volta dos mesmos.
- Para o máximo desempenho, deixe espaço suficiente no compartimento do frigorífico para o ar circular em volta das embalagens. Deixe também espaço suficiente na parte dianteira para a porta fechar corretamente.
- Não guarde alimentos quentes ou líquidos a emitir vapores no frigorífico.
- Alimentos cozinhados e pratos frios: tape-os e coloque-os em qualquer prateleira.
- Frutas e legumes: limpe bem e coloque na gaveta de legumes. As bananas, batatas, cebolas e alho não podem ser guardados no frigorífico se não estiverem embalados.
- Manteiga e queijo: coloque num recipiente hermético especial ou embrulhado em folha de alumínio ou num saco de polietileno, tentando excluir o máximo de ar possível.
- Garrafas: feche com tampas e coloque nos porta-garrafas das portas.
- Para garantir uma ventilação adequada, siga as instruções de instalação.
- Uma ventilação insuficiente na parte de trás do produto aumenta o consumo de energia e diminui a eficiência da refrigeração.
- As temperaturas internas do aparelho podem ser afetadas pela temperatura ambiente, pela frequência de abertura da porta, bem como pela localização do aparelho. A regulação da temperatura deve ter em conta estes fatores.
- Deixe arrefecer os alimentos e as bebidas quentes antes de os colocar dentro do aparelho.
- Não obstrua a ventoinha (se existente) com alimentos.
- Depois de colocar ou retirar os alimentos, certifique-se de que fecha corretamente a porta, especialmente a porta do congelador.
- Reduza ao mínimo a abertura da porta.
- Quando descongelar alimentos congelados, coloque-os no frigorífico. A baixa temperatura dos produtos congelados arrefece os alimentos no frigorífico.
- O posicionamento das prateleiras no frigorífico não tem qualquer impacto na utilização eficiente da energia. Os alimentos devem ser colocados nas prateleiras de forma a garantir uma circulação de ar adequada (os alimentos não devem tocar uns nos outros e deve ser mantida uma distância entre os alimentos e a parede traseira).
- As juntas danificadas devem ser substituídas o mais rapidamente possível.

Dicas de poupança de energia

- Instale o aparelho num local seco e bem ventilado, longe de qualquer fonte de calor (p. ex., radiador, fogão, etc.) e num local não exposto diretamente ao sol. Se necessário, utilize uma placa de isolamento.

Limpeza e manutenção

Conselhos gerais

- Limpe regularmente o eletrodoméstico com um pano e uma solução de água morna e detergente neutro especificamente formulado para o interior dos frigoríficos. Não utilize produtos de limpeza ou ferramentas abrasivas.
- Antes de proceder à manutenção ou limpeza do aparelho, desligue-o da rede elétrica ou desligue a alimentação.

CUIDADO! Os acessórios do frigorífico não podem ser colocados na máquina de lavar loiça.

Descongelar o eletrodoméstico

- Descongele o eletrodoméstico sempre que a camada de gelo na superfície do evaporador tiver 3 a 4 mm de espessura.
- Antes de descongelar, retire todos os alimentos e desligue o eletrodoméstico. Coloque o tabuleiro de descongelamento por baixo do evaporador para recolher a água derretida.

- Depois de o gelo derreter, deite fora a água derretida, seque o interior do aparelho com um pano seco e volte a ligar o eletrodoméstico.

Se não for utilizar o eletrodoméstico durante um período prolongado

1. Desligue o eletrodoméstico.
2. Desligue o eletrodoméstico da fonte de alimentação.
3. Remova todos os alimentos;
4. Descongele e limpe o eletrodoméstico.
5. Deixe as portas abertas o suficiente para permitir a circulação de ar no interior dos compartimentos. Isto evitará a formação de bolor e de odores desagradáveis.

Em caso de corte de energia

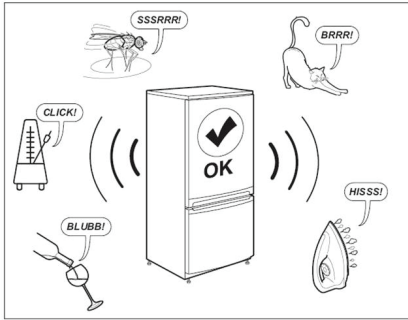
- Mantenha as portas do aparelho fechadas. Isto permitirá que os alimentos se mantenham frescos o máximo tempo possível.

Resolução de problemas

Problema	Causa possível	Solução
O eletrodoméstico não funciona.	O eletrodoméstico está desligado.	Ligue o eletrodoméstico.
	A ficha de alimentação não está ligada corretamente à tomada elétrica.	Ligue a ficha de alimentação corretamente à tomada elétrica.
	A tomada elétrica não tem corrente.	Para saber se a tomada de alimentação está a funcionar, basta ligar um aparelho elétrico diferente. Contacte um electricista qualificado para reparar a tomada.
O eletrodoméstico é barulhento.	O eletrodoméstico não se encontra numa posição estável.	Nivele o eletrodoméstico. Consulte a secção "Nivelar o eletrodoméstico" ou as "Instruções de montagem" separadas.
O compressor funciona continuamente.	A temperatura definida é demasiado baixa.	Defina uma temperatura mais alta. Consulte o tópico "Funcionamento".
	Foram inseridos muitos alimentos ao mesmo tempo.	Aguarde algumas horas e, de seguida, volte a verificar a temperatura.
	A temperatura ambiente é demasiado alta.	Se possível, reposicione o aparelho. Consulte o tópico "Posicionamento".
	Os produtos alimentares colocados no interior do eletrodoméstico estavam demasiado quentes.	Deixe que os produtos alimentares arrefeçam até à temperatura ambiente antes de os armazenar.
	A porta não está fechada corretamente.	Consulte o tópico "Fechar a porta".
A temperatura no interior do eletrodoméstico é muito baixa/muito alta.	A temperatura não foi definida corretamente.	Defina uma temperatura superior/ inferior.
	A porta não está fechada corretamente.	Consulte o tópico "Fechar a porta".
	Os produtos alimentares colocados no interior do eletrodoméstico estavam demasiado quentes.	Deixe que os produtos alimentares arrefeçam até à temperatura ambiente antes de os armazenar.
	Foram inseridos muitos alimentos ao mesmo tempo.	Insira menos produtos alimentares de uma só vez.
	A espessura do gelo é superior a 4-5 mm.	Descongele o eletrodoméstico.
	A porta foi aberta com demasiada frequência.	Abra a porta apenas quando necessário.
	Não existe circulação de ar frio suficiente no eletrodoméstico.	Posicione os alimentos de forma a que o ar possa circular livremente dentro do eletrodoméstico.
A porta não fecha completamente.	Consulte o tópico "Fechar a porta".	Consulte o tópico "Fechar a porta".

Ruídos normais

É normal que o sistema de refrigeração produza alguns ruídos, tais como gorgolejos e silvos.



Fechar a porta

Se	Faça
As juntas da porta estão sujas.	Limpe-os.
Os vedantes estão danificados.	Contacte o Serviço pós-venda para os substituir.
A porta está bloqueada por prateleiras, gavetas, alimentos, etc.	Posicione corretamente ou retire os objectos que bloqueiam a porta.
O eletrodoméstico não está nivelado.	Nivele o eletrodoméstico. Consulte a secção "Nivelar o eletrodoméstico" ou as "Instruções de montagem" separadas.
A porta não está alinhada com o recetáculo.	Ajuste a porta. Consulte as Instruções de montagem separadas.

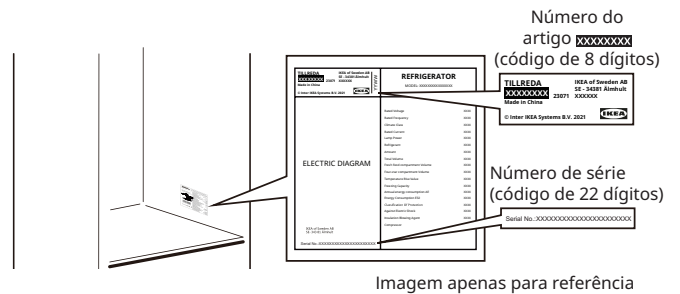
Antes de contactar o serviço pós-venda:

Reinicie o aparelho para verificar se o problema foi resolvido. Se o problema persistir, desligue novamente o aparelho e repita a operação após uma hora.

Se o seu aparelho continuar a não funcionar corretamente após ter efetuado as verificações indicadas no guia de resolução de problemas e de ter ligado novamente o aparelho, contacte o serviço pós-venda, explicando claramente o problema e especificando:

- a natureza do problema
- a data de aquisição
- o modelo e o número de série do eletrodoméstico

i O número do artigo e o número de série estão situados na placa de potência no lado direito interior do eletrodoméstico.




Informação técnica

Categoria do produto	
Tipo de produto	Frigorífico
Tipo de instalação	Autónoma
Dimensões do produto	
Altura	492 mm
Largura	472 mm
Profundidade	450 mm
Volume líquido	
Frigorífico	43,0 l
Sistema de descongelamento	
Frigorífico	Manual
Outras especificações	
Classificação por estrelas	-
Tempo para aumento da temperatura	-
Consumo de energia	80 kWh/ano
Nível de ruído	41 dB(A)
Classe energética	E
Tensão nominal	220 - 240 V~
Frequência nominal	50 Hz
Fonte de luz da classe de eficiência energética	-

Nota: As informações sobre o produto na base de dados de produtos podem ser acedidas através da leitura do código QR no rótulo EPREL.

Questões ambientais

1. Material da embalagem

Os materiais recicláveis estão assinalados com o símbolo .

Coloque a embalagem nos contentores relevantes para os reciclar.

Mantenha os materiais de embalagem (sacos de plástico, peças de poliestireno, etc.) fora do alcance das crianças, pois constituem uma fonte potencial de perigo.

2. Desmantelamento/eliminação

O aparelho é fabricado com material reciclável. Este aparelho está marcado em conformidade com a Diretiva Europeia 2002/96/CE relativa aos resíduos de equipamentos elétricos e eletrónicos (REEE). Ao assegurar a eliminação correcta deste eletrodoméstico, pode ajudar a evitar consequências potencialmente negativas para o ambiente e para a saúde humana.

O símbolo  no aparelho, ou nos documentos

que o acompanham, indica que este aparelho não deve ser tratado como resíduos domésticos, devendo ser levado a um centro de recolha especial para a reciclagem de equipamentos elétricos e eletrónicos. Ao desmantelar o aparelho, inutilize-o, cortando o cabo de alimentação e retirando as portas e as prateleiras, para que as crianças não possam entrar facilmente e ficar presas.

A eliminação do aparelho deve ser efetuada em conformidade com as normas locais relativas à eliminação de resíduos e deve ser levado a um centro de recolha especial; não deixe o aparelho sem vigilância, mesmo durante alguns dias, uma vez que é uma fonte potencial de perigo para as crianças. Para mais informações sobre o tratamento, a recuperação e a reciclagem deste produto, contacte o serviço local competente, o serviço de recolha de resíduos domésticos ou a loja onde adquiriu o aparelho.

Declaração de conformidade

- Este aparelho foi concebido para conservar alimentos e é fabricado em conformidade com o Regulamento (CE) n.º 1935/2004.
- Este aparelho foi concebido, fabricado e comercializado em conformidade com:
 - os objetivos de segurança da Diretiva 2014/35/UE (que substitui a Diretiva 2006/95/CE e alterações subsequentes);



- os requisitos de proteção da Diretiva "CEM" 2014/30/UE.
- Este aparelho foi concebido, fabricado e comercializado em conformidade com:
 - Regulamentos de Compatibilidade Eletromagnética de 2016
 - Regulamentos Sobre Equipamento Elétrico (Segurança) de 2016



Garantia IKEA

Durante quanto tempo é válida a garantia IKEA?

Esta garantia é válida durante **2 anos** a partir da data de compra, a não ser que seja especificado de outra forma na legislação nacional. Na Noruega, Portugal e Espanha, a garantia é válida por 3 anos a partir da data de entrega ao cliente, exceto se a legislação nacional especificar o contrário. A fatura ou talão de compra original é necessário como prova de compra. Se for realizada uma assistência ao abrigo da garantia, tal não irá aumentar o período de garantia do eletrodoméstico.

Quem irá realizar o serviço de assistência?

O prestador de serviços da IKEA irá prestar o serviço através da sua própria rede de assistência ou de um parceiro de assistência autorizado.

O que é que esta garantia cobre?

A garantia cobre as avarias do eletrodoméstico causadas por eventuais defeitos de fabrico ou de material, que se verifiquem a partir da data de compra na IKEA. Esta garantia aplica-se apenas a um uso doméstico. As exceções estão especificadas no parágrafo "O que é que esta garantia não cobre?". Dentro do período de garantia, os custos para resolver a avaria, nomeadamente reparações, peças e componentes, mão de obra e deslocação estão cobertos, desde que o eletrodoméstico esteja acessível para ser reparado sem que sejam necessários gastos especiais. Nestas condições são aplicáveis as orientações da UE (n.º 99/44/CE) e respetivos regulamentos locais. As peças substituídas passarão a ser propriedade da IKEA.

O que fará a IKEA para corrigir o problema?

O prestador de serviços designado pela IKEA irá examinar o produto e decidir, a seu critério exclusivo, se este está, ou não, coberto pela garantia. Se considerar que está coberto, o prestador de serviços da IKEA ou seu parceiro autorizado, através das suas próprias operações de assistência, procederão, ou não, a seu critério exclusivo, à reparação do produto defeituoso ou sua substituição por um produto igual ou comparável.

O que é que esta garantia não cobre?

- O desgaste e deterioração normais.
- Danos deliberados ou negligentes, danos provocados pelo não cumprimento das instruções de utilização, instalação incorreta ou ligação a uma voltagem incorreta, danos causados por uma reação química ou eletroquímica, oxidação, corrosão ou danos causados pela água, incluindo, mas sem limitar, os danos causados por excesso de calcário na água fornecida, danos provocados por condições ambientais anormais.
- Consumíveis, incluindo pilhas e lâmpadas.
- Peças não funcionais e decorativas que não afetam a utilização normal do eletrodoméstico, incluindo riscos e possíveis diferenças de cor.
- Danos acidentais causados por objetos estranhos ou substâncias e pela limpeza ou desobstrução de filtros, sistemas de drenagem ou gavetas de detergente.
- Danos causados nas seguintes peças: vidro cerâmico, acessórios, cestos de loiça e talheres, tubos de alimentação e drenagem, vedantes, lâmpadas e coberturas de lâmpadas, visores, botões, revestimentos e partes de revestimentos protetores. A menos que seja possível demonstrar que tais danos foram provocados por defeitos de fabrico.
- Casos em que não tenha sido detetada qualquer avaria durante uma visita do técnico.
- Reparções não efetuadas pelos nossos prestadores de serviço e/ou por um agente autorizado ou quando não tenham sido usadas peças originais.
- Reparções provocadas por uma instalação incorreta ou que não cumpra as especificações de instalação.
- Utilização do equipamento num ambiente não doméstico, isto é, profissional.

- Danos de transporte. Se o cliente transportar o produto para casa ou para qualquer outro endereço, a IKEA não poderá ser responsabilizada por eventuais danos que possam ocorrer durante o transporte. No entanto, se a IKEA efetuar a entrega do produto na morada do cliente, os eventuais danos provocados durante essa entrega serão abrangidos pela garantia IKEA.
- Gastos na realização da instalação inicial do equipamento IKEA. No entanto, se um prestador de serviços IKEA ou um agente de serviços autorizado efectuar a reparação ou a substituição do equipamento ao abrigo desta garantia, o prestador de serviços ou o seu agente autorizado reinstalarão o equipamento reparado ou instalarão o equipamento de substituição, se necessário.

Estas restrições não são aplicáveis a trabalhos sem quaisquer avarias levados a cabo por um especialista qualificado com peças originais, a fim de adaptar o eletrodoméstico às especificações técnicas de segurança de outro país da UE.

Como se aplica a legislação nacional?

A garantia IKEA concede-lhe direitos legais específicos, que cobrem ou excedem todas as normativas legais nacionais. No entanto, estas condições não limitam, de forma alguma, os direitos do consumidor descritos na legislação nacional.

Área de validade

Para os eletrodomésticos adquiridos num país da UE e transportados para outro país da UE, os serviços serão prestados de acordo com as condições de garantia normais no novo país.

A obrigação de prestar serviços abrangidos pela garantia existe apenas se o eletrodoméstico estiver instalado em conformidade com:

- as especificações técnicas do país onde a reclamação de garantia é feita;
- as Instruções de Instalação e a Informação de Segurança do Manual do Utilizador.

Serviço PÓS-VENDA específico para eletrodomésticos IKEA

Não hesite em contactar o Prestador de serviços pós-venda designado pela IKEA para:

- fazer um pedido de assistência ao abrigo desta garantia;
- solicitar esclarecimentos sobre a instalação do eletrodoméstico IKEA numa cozinha IKEA;
- solicitar um esclarecimento relativo às funcionalidades dos equipamentos IKEA.

Para garantir que lhe proporcionamos a melhor assistência, por favor, antes de contactar connosco leia atentamente as Instruções de Instalação e/ou o Livro de Instruções de utilização.

Como contactar-nos, se necessitar do nosso serviço?



Pode encontrar os números de telefone dos fornecedores de serviços pós-venda designados pela IKEA no final deste manual.

- ❗ **Para lhe prestarmos um serviço mais rápido, recomendamos que utilize os números de telefone específicos indicados neste manual. Consulte sempre os números listados no manual do utilizador do eletrodoméstico específico que necessite de assistência. Não se esqueça de indicar o número de artigo de 8 dígitos e o número de série de 22 dígitos indicados na placa de potência do seu aparelho.**

- ❗ **GUARDE A FATURA OU TALÃO DE COMPRA!** É a sua prova de compra e será necessária para aplicar e validar a garantia. A fatura ou talão de compra indica igualmente o nome e o número de artigo (código de 8 dígitos) IKEA de cada equipamento que adquiriu.

Necessita ajuda adicional?

Para quaisquer esclarecimentos adicionais não relacionados com Pós-Venda sobre os seus equipamentos, por favor, contacte o callcenter da sua loja IKEA. Recomendamos que leia atentamente a documentação do equipamento antes de nos contactar.

Informações sobre peças sobresselentes

- As seguintes peças sobresselentes: termóstatos, sensores de temperatura, placas de circuito impresso e fontes de luz estarão disponíveis para reparadores profissionais durante um período mínimo de sete anos, após a colocação da última unidade do modelo no mercado.
- As seguintes peças sobresselentes: puxadores de portas, dobradiças de portas, tabuleiros e cestos estarão disponíveis para reparadores profissionais e utilizadores finais durante um período mínimo de sete anos, e as juntas de portas durante um período mínimo de 10 anos, após a colocação da última unidade do modelo no mercado.

As peças sobresselentes podem ser encontradas em: www.ikea.com

Índice

Información de seguridad	110	Uso diario.....	116
Instrucciones de seguridad	111	Limpieza y mantenimiento	116
Instalación.....	113	Solución de problemas.....	117
Primer uso	114	Información técnica.....	119
Descripción del aparato	115	Cuestiones medioambientales.....	119
Funcionamiento	115	Garantía IKEA.....	120

Información de seguridad

Antes de instalar y utilizar el aparato, lea atentamente las instrucciones facilitadas. El fabricante no se hace responsable de los daños o lesiones provocados por una mala instalación o uso. Guarde siempre las instrucciones junto con el aparato para futuras consultas.

Seguridad de niños y personas vulnerables



ADVERTENCIA: Riesgo de incendio/materiales inflamables

- Este aparato puede ser utilizado por niños mayores de 8 años y por personas cuyas capacidades físicas, sensoriales o mentales reducidas o que carezcan de la experiencia y conocimientos suficientes para utilizarlo, siempre que cuenten con supervisión o se les proporcione instrucciones sobre el uso seguro del aparato y comprendan los riesgos que acarrea. No debe permitirse que los niños jueguen con el aparato. Los niños no podrán realizar la limpieza y el mantenimiento sin supervisión. Debe vigilarse que los niños no jueguen con el aparato.
- Este aparato puede ser utilizado por niños entre 3 y 8 años de edad y personas con diferentes discapacidades, si han recibido las instrucciones adecuadas.
- Los niños de menos de 3 años se deben mantener fuera del alcance del dispositivo a menos que se encuentren bajo la supervisión de un adulto.

- No deje que los niños jueguen con el aparato.
- Los niños no deben realizar la limpieza ni el mantenimiento del aparato sin supervisión.
- Los niños de 3 a 8 años pueden cargar y descargar frigoríficos.
- Mantenga todo el embalaje fuera del alcance de los niños y elimínelo adecuadamente.

Seguridad general

- Este aparato está concebido para utilizarse en entornos domésticos y similares, como:
 - zonas de cocina para empleados en tiendas, oficinas y otros entornos de trabajo;
 - en granjas o por clientes de hoteles, hostales y otros entornos residencias similares;
 - pensiones;
 - catering y otros negocios no minoristas similares.
- **ADVERTENCIA:** Mantenga las aberturas de ventilación del alojamiento del aparato o de la estructura empotrada sin obstrucciones.
- **ADVERTENCIA:** No utilice dispositivos mecánicos ni otros medios para acelerar el proceso de descongelación, excepto los recomendados por el fabricante.
- **ADVERTENCIA:** No dañe el circuito de refrigeración.
- **ADVERTENCIA:** No utilice dispositivos eléctricos dentro de los compartimentos para alimentos del aparato, salvo si son del tipo recomendado por el fabricante.

- **ADVERTENCIA:** No utilice pulverizadores ni vapor de agua para limpiar el aparato.
- **ADVERTENCIA:** Limpie el aparato con un paño suave húmedo. Utilice sólo detergentes neutros. No utilice productos abrasivos, estropajos duros, disolventes ni objetos metálicos.
- **ADVERTENCIA:** No almacene sustancias explosivas, como latas de aerosol con propulsor inflamable, en este aparato.
- **ADVERTENCIA:** Si el cable de alimentación presenta algún daño, para evitar riesgos, deberá ser el fabricante, su servicio técnico autorizado o un profesional cualificado quien lo cambie.
- **ADVERTENCIA:** Al colocar el aparato, asegúrese de que el cable de alimentación no quede atrapado ni esté dañado.
- **ADVERTENCIA:** No ubique múltiples tomas de corriente portátiles o fuentes de alimentación portátiles en la parte trasera del aparato.
- Abrir la puerta durante periodos prolongados puede provocar un aumento sustancial de la temperatura en los compartimentos del aparato.
- Limpie periódicamente las superficies que pueden entrar en contacto con alimentos y los sistemas de desagüe accesibles.
- Limpie los depósitos de agua si no se han usado durante 48 horas: enjuague el sistema de agua conectado a una toma de agua si no se ha extraído agua durante 5 días.
- Almacene la carne y el pescado crudos en recipientes apropiados en el frigorífico, de forma que no entren en contacto con otros alimentos ni goteen sobre ellos.
- Si el frigorífico se deja vacío durante mucho tiempo, apáguelo, desescárchelo, límpielo, séquelo y deje la puerta abierta para impedir que aparezca moho en el interior del aparato.
- Este frigorífico no es adecuado para congelar alimentos.
- Este frigorífico no se ha diseñado para ser utilizado como un electrodoméstico integrado.
- Los compartimentos de alimentos congelados de dos estrellas están destinados a almacenar alimentos precongelados, guardar o hacer helados y a hacer cubitos de hielo.
- Los compartimentos de una, dos y tres estrellas no son aptos para congelar alimentos frescos.
- **ADVERTENCIA:** para evitar peligros debido a la inestabilidad del aparato, se deberá reparar siguiendo las instrucciones.

Instrucciones de seguridad

Instalación

⚠ **¡ADVERTENCIA!** El aparato solo podrá ser instalado por personal debidamente cualificado.

- Retire todo el embalaje.
- No instale ni utilice un aparato dañado.
- Siga las instrucciones de instalación incluidas con el aparato.
- Tenga cuidado al mover el aparato en todo momento, ya que es muy pesado. Use guantes de seguridad y calzado cerrado en todo momento.
- Tenga cuidado de no dañar el suelo (por ejemplo el parquet) al mover el aparato.
- Asegúrese de que el aparato no se encuentre cerca de una fuente de calor.
- Instale y nivele el aparato en un suelo con la resistencia suficiente para soportar su peso y en un lugar adecuado para su tamaño y uso.
- Asegúrese de que el aire pueda circular alrededor del aparato.
- En la primera instalación o después de invertir la puerta, espere al menos 4 horas antes de conectar el aparato a la fuente de alimentación. De este modo el aceite tendrá tiempo de regresar al compresor.
- Antes de utilizar en el aparato (por ejemplo, invertir la puerta), retire el enchufe de la toma de corriente.
- La parte posterior del aparato debe estar apoyada en la pared.
- No instale el aparato donde quede expuesto a la luz directa del sol.
- No instale el aparato en lugares demasiado húmedos o fríos, como bodegas.

Conexión eléctrica

⚠ ¡ADVERTENCIA! Riesgo de incendio y descarga eléctrica.

⚠ ¡ADVERTENCIA! Al colocar el aparato, asegúrese de que el cable de alimentación no quede atrapado ni esté dañado.

⚠ ¡ADVERTENCIA! No utilice bases múltiples de enchufes o alargaderas.

- El aparato debe estar conectado a tierra.
- Asegúrese de que los parámetros de la placa de características sean compatibles con la especificaciones eléctricas de la fuente de alimentación principal.
- Utilice siempre un enchufe con toma de tierra correctamente instalada.
- Asegúrese de no dañar los componentes eléctricos, como el enchufe de red, el cable de alimentación o el compresor. Póngase en contacto con un electricista o con el servicio técnico autorizado para cambiar los componentes eléctricos.
- El cable de alimentación debe estar por debajo del nivel del enchufe de conexión a la red.
- Conecte el enchufe a la toma de corriente una vez finalizada la instalación. Asegúrese de tener acceso al enchufe una vez instalado el aparato.
- Para desconectar el aparato, no tire del cable de alimentación. Tire siempre del enchufe de conexión a la red.
- Solo en Reino Unido e Irlanda:
Este aparato cuenta con un enchufe de 13 A. Si fuera necesario cambiar el fusible del enchufe de red, utilice únicamente un fusible ASTA de 13 A (BS 1362).

Uso

⚠ ¡ADVERTENCIA! Existe riesgo de lesiones, quemaduras, descargas eléctricas o incendios.



Los tubos del circuito de refrigeración incluyen una pequeña cantidad del refrigerante R600a, que respeta el medio ambiente pero es inflamable. No daña la capa de ozono y no aumenta los gases de efecto invernadero. Si se escapa refrigerante, puede provocar lesiones en los ojos o incendiarse. No dañe los tubos.

- Esta superficie puede calentarse en condiciones normales de funcionamiento. No la toque con las manos.
- No cambie las especificaciones de este aparato.
- No coloque aparatos eléctricos (ej. máquinas para hacer helados) dentro del aparato, salvo si son del tipo recomendado por el fabricante.

- Si se daña el circuito de refrigeración, asegúrese de que no hay fuentes de ignición en la habitación. Ventile la habitación.
- No permita que objetos calientes toquen las piezas de plástico del aparato.
- No almacene bebidas embotelladas en el compartimento del congelador para evitar que se exploten u otras pérdidas.
- No almacene líquidos ni gases inflamables en el aparato.
- No coloque productos inflamables u objetos impregnados con productos inflamables cerca, dentro o encima del aparato.
- No toque el compresor ni el condensador. Están calientes.
- No retire ni toque artículos del compartimento de alimentos congelados si tiene las manos mojadas o húmedas.
- No ingiera el contenido (no tóxico) de las bolsas de hielo.
- No tome cubitos de hielo ni polos inmediatamente después de sacarlos del congelador, ya que pueden causar quemaduras por frío.
- Los alimentos descongelados no deben volver a colocarse en el compartimento de alimentos congelados.
- Siga las instrucciones de almacenamiento indicadas en el envase de los alimentos.

Iluminación interna

⚠ ¡ADVERTENCIA! Riesgo de descarga eléctrica.

- La bombilla del interior del electrodoméstico se ha diseñado específicamente para electrodomésticos y no es adecuada para iluminar habitaciones en el hogar ((UE) 2019/2020).

Cuidado y limpieza

⚠ ¡ADVERTENCIA! Existe riesgo de lesiones y daños al aparato.

- Antes de proceder al mantenimiento del aparato, desactívalo y desconecte el enchufe de la red eléctrica.
- Este aparato contiene hidrocarburos en la unidad de refrigeración. Solo una persona cualificada podrá realizar el mantenimiento y recargar la unidad.
- Revise de forma regular el drenaje del aparato y límpielo si fuera necesario. Si el drenaje se bloquea, el agua descongelada se acumulará en la base del aparato.

Reparación

- Para reparar el aparato, póngase en contacto con un centro de servicio técnico autorizado de los que se encuentran al final de este manual.
- Utilice solo repuestos originales.

Eliminación del aparato

⚠ ¡ADVERTENCIA! Riesgo de lesiones o asfixia.

- Desconecte el aparato de la red.
- Corte el cable de alimentación y elimínelo.
- Retire las puertas para evitar que los niños y mascotas puedan quedarse encerrados dentro del aparato.
- El circuito de refrigerante y los materiales aislantes de este aparato son respetuosos con la capa de ozono.

- La espuma aislante contiene gases inflamables. Póngase en contacto con las autoridades locales para obtener información sobre cómo eliminar correctamente el aparato.
- No dañe la parte de la unidad de refrigeración que se encuentra junto al intercambiador de calor.

El fabricante rechaza cualquier responsabilidad por lesiones a personas o animales o daños a la propiedad derivados de no seguir los consejos y precauciones anteriores.

Instalación

⚠ ¡ADVERTENCIA! Antes de instalar el aparato, lea detenidamente la información de seguridad de este folleto.

Lista de verificación de instalación

Puerta

- La puerta se pega completamente por todos los lados del compartimento
- La puerta está nivelada

Nivelado

- El frigorífico está nivelado

Corriente eléctrica

- Espere 4 horas
- Corriente doméstica conectada
- Frigorífico enchufado

Comprobaciones finales

- Materiales de embalaje eliminados
- Temperatura del frigorífico seleccionada

Colocación

- Siga las instrucciones de montaje independientes para instalar este dispositivo.
- Instale el aparato en un lugar en el que la temperatura ambiente se corresponda con la clase climática indicada en la placa de características del aparato. Esto garantiza el correcto funcionamiento del aparato. A continuación se explican las diferentes clases climáticas:

Clase climática	Rango de temperatura ambiente
SN	+10 °C a +32 °C
N	+16 °C a +32 °C
ST	+16 °C a +38 °C
T	+16 °C a +43 °C

- SN indica que este frigorífico se ha diseñado para utilizarse a temperaturas ambiente de entre 10 °C y 32 °C.

- N indica que este frigorífico se ha diseñado para utilizarse a temperaturas ambiente de entre 16 °C y 32 °C.

- ST indica que este frigorífico se ha diseñado para utilizarse a temperaturas ambiente de entre 16 °C y 38 °C.

- T indica que este frigorífico se ha diseñado para utilizarse a temperaturas ambiente de entre 16 °C y 43 °C.

ⓘ Para algunos modelos de aparatos, se pueden producir algunos problemas de funcionamiento si se utilizan fuera de los rangos de temperatura especificados. Sólo se puede garantizar el correcto funcionamiento del aparato dentro de los rangos de temperatura especificados.

Si tiene alguna duda sobre la instalación, diríjase al proveedor, a nuestro servicio al cliente o al centro de servicio técnico autorizado más cercano.

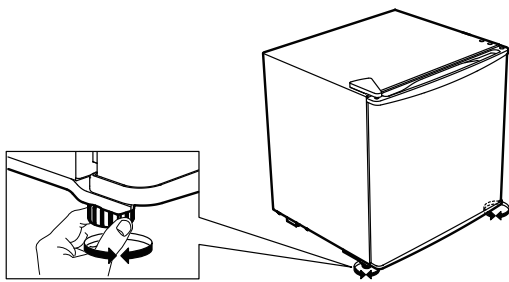
Ubicación

Para garantizar un rendimiento óptimo, instale el aparato lejos de fuentes de calor, como radiadores, calderas y la luz solar directa. Asegúrese de que el aire puede circular sin obstáculos por la parte trasera del aparato.

Nivelación del aparato

Si el aparato se inclinara, ajuste la altura las dos patas de la parte delantera del aparato para nivelarlo. Consulte las instrucciones de montaje independientes para obtener más información sobre las instrucciones.

1. Desconecte el enchufe de red del aparato de la toma de corriente.
2. Gire el pie hacia la derecha para levantar el aparato. Gire el pie hacia la izquierda para bajar el aparato.



Limpieza del aparato

Antes de utilizar el aparato por primera vez, límpielo para eliminar el olor habitual de un producto nuevo.

1. Asegúrese de que el aparato esté desconectado de la fuente de alimentación.
2. Limpie el interior con un paño suave húmedo.
3. Lave los accesorios internos con agua templada y jabón neutro y, a continuación, séquelos bien.

¡PRECAUCIÓN!

No utilice disolventes ni agentes de limpieza abrasivos, clorados o ácidos.

- No utilice esponjas rugosas ni abrasivas. Las superficies metálicas se pueden sufrir corrosión.
- No limpie los accesorios en el lavavajillas. Pueden deformarse.

Conexión eléctrica

⚠ ¡PRECAUCIÓN! Cualquier trabajo eléctrico necesario para instalar este aparato debe ser realizado por un electricista cualificado o una persona competente.

⚠ ¡ADVERTENCIA! Este aparato debe estar conectado a tierra. No seguir estas instrucciones puede provocar la muerte, un incendio o una descarga eléctrica.

El fabricante no acepta ninguna responsabilidad si no se llevan a cabo estas medidas de seguridad. Este aparato cumple las directivas de la CEE.

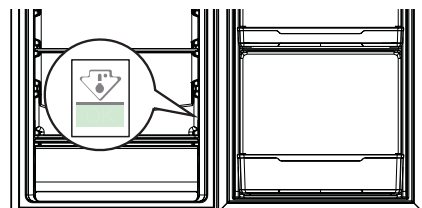
Primer uso

Conecte el aparato a la toma de corriente. Las temperaturas ideales para el almacenamiento de comida vienen ya seleccionadas de fábrica (intermedias).

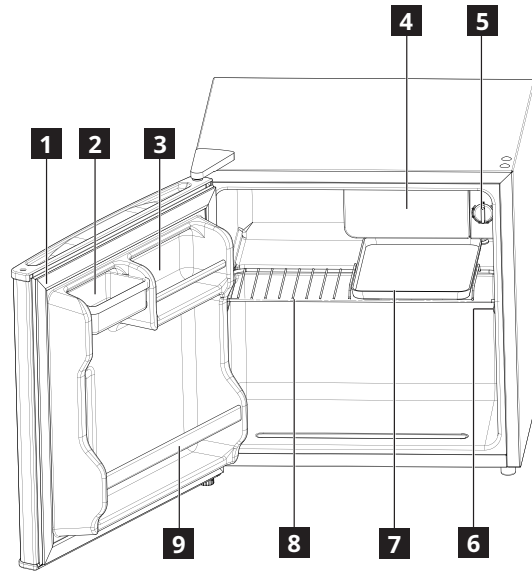
Nota: Después de encender el aparato necesitará de 4 a 5 horas para alcanzar la temperatura adecuada para almacenar un volumen habitual de alimentos.

¡Importante!

De acuerdo con las leyes de algunos países, debe estar provisto de un dispositivo especial (véase la figura siguiente) colocado en la parte inferior del frigorífico para indicar la zona más fría del mismo.



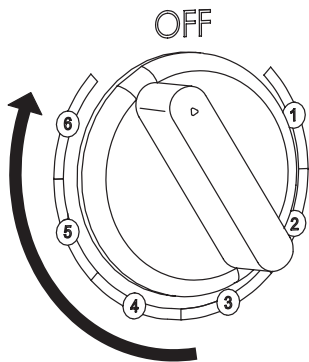
Descripción del aparato



- 1** Junta de la puerta
- 2** Estante de almacenamiento
- 3** Estante para latas
- 4** Compartimento de enfriamiento

- 5** Regulador de temperatura
- 6** Placa de características
- 7** Bandeja para descongelación
- 8** Estante
- 9** Portabotellas

Funcionamiento



Encendido

Conecte el enchufe de red a una toma de corriente y establezca la temperatura. El aparato se encenderá y comenzará a funcionar.

Ajustar la temperatura

La temperatura se regula automáticamente.

Para ajustar la temperatura:

- Gire el regulador de temperatura a una posición más baja para reducir el frío.
- Gire el regulador de temperatura a una posición más alta para aumentar el frío.

i Lo más idóneo es ajustar la temperatura en una posición intermedia.

Ajuste la configuración de temperatura teniendo en cuenta que la temperatura del interior del aparato depende de:

- la temperatura ambiente;
- la frecuencia con que se abre la puerta;
- la cantidad de alimentos almacenados;
- la ubicación del aparato.

¡Importante! Si la temperatura ambiente es elevada o el aparato está totalmente lleno y se ha ajustado a las temperaturas más bajas, puede ser que permanezca funcionando de manera continua y provoque la formación de escarcha en la pared posterior. En este caso, se debe establecer una temperatura más alta para permitir la descongelación automática y, por lo tanto, reducir el consumo de energía.

Consejos:

- Cuando más baja sea la temperatura, más tiempo se podrán almacenar los alimentos de forma segura y más electricidad consumirá el electrodoméstico.
- Cuando mayor sea la temperatura, más rápido perecerán los alimentos almacenados y menos electricidad consumirán el aparato.

Apagado

Para apagar el aparato, gire el regulador de temperatura hasta la posición "OFF" y, a continuación, desconecte el enchufe de la toma de corriente.

Uso diario

Consejos para la refrigeración de alimentos frescos

- Cubrir o envolver la comida, especialmente si tiene un sabor fuerte.
- Coloque los alimentos para que el aire pueda circular libremente a su alrededor.
- Para un rendimiento óptimo, deje suficiente espacio en el frigorífico para que circule el aire alrededor de los paquetes. Deje espacio suficiente en la parte frontal para que la puerta pueda cerrarse correctamente.
- No almacenar alimentos calientes o líquidos que se evaporen en el frigorífico.
- Alimentos cocinados y platos fríos: cubrir y colocar en cualquier estante.
- Frutas y verduras: limpiar a fondo y colocar en el cajón de verduras. Los plátanos, patatas, cebollas y ajos no deben guardarse en el frigorífico si no están envasados.
- Mantequilla y queso: colocar en recipientes herméticos especiales o envolver en papel de aluminio o en bolsas de polietileno para evitar la mayor cantidad de aire posible.
- Botellas: cerrar con tapones y colocar en las bandejas de la puerta.

Consejos para el ahorro de energía

- Instale el aparato en una habitación seca, bien ventilada y lejos de fuentes de calor (por ejemplo radiadores, cocinas, etc.) en un lugar que no esté expuesto a la luz directa del sol. Si es necesario, utilice una placa aislante.

- Siga las instrucciones de instalación para garantizar la ventilación adecuada.
- Una ventilación insuficiente en la parte posterior del aparato aumenta el consumo de energía y disminuye la eficiencia refrigerante.
- La temperatura interna del aparato puede verse afectada por la temperatura ambiente, por la frecuencia de apertura de la puerta y por la ubicación del aparato. Deben tenerse en cuenta estos factores al seleccionar la temperatura.
- Deje enfriar los alimentos y bebidas calientes antes de colocarlos en el aparato.
- No obstruya el ventilador (si lo hay) con alimentos.
- Después de colocar o retirar alimentos, asegúrese de cerrar la puerta correctamente, en particular la puerta del congelador.
- Abra las puertas el menor número de veces posible.
- Para descongelar los alimentos, colóquelos en el compartimento refrigerador. La baja temperatura de los productos congelados enfría los alimentos en el refrigerador.
- La colocación de las bandejas en el compartimento refrigerador no influye en el uso eficiente de la energía. Los alimentos deben colocarse en las bandejas de tal modo que se garantice la correcta circulación del aire (los alimentos no deben tocarse entre sí y debe mantenerse una distancia entre los alimentos y la pared trasera.)
- Las juntas dañadas se deberán reemplazar lo antes posible.

Limpieza y mantenimiento

Consejos generales

- Limpie regularmente el aparato con un paño y una solución de agua templada y detergente neutro especialmente indicado para interiores de refrigeradores. No utilice limpiadores ni herramientas abrasivas.
- Antes de reparar o limpiar el aparato, desenchúfelo de la red o desconecte la alimentación.

¡PRECAUCIÓN! Los accesorios del frigorífico no deben colocarse en el lavavajillas.

Descongelar el aparato

- Descongele el aparato cada vez que la capa de escarcha de la superficie del evaporador tenga un espesor de 3 a 4 mm.
- Antes de descongelar el aparato, apáguelo y saque todos los alimentos. Coloque la bandeja de descongelación debajo del evaporador para recoger el agua de la descongelación.

- Después de que se haya derretido toda la escarcha, tire el agua de la descongelación, seque el interior del aparato con un paño seco y vuelva a encenderlo.

Si no utiliza el aparato durante un período largo de tiempo

1. Apague el aparato.
2. Desconecte el dispositivo de la fuente de alimentación.
3. Retire todos los alimentos de su interior.
4. Descongele y limpie el aparato.
5. Deje las puertas abiertas lo suficiente para permitir la circulación de aire por el interior de los compartimentos. Así se evitará la formación de moho y los olores desagradables.

En caso de un corte de corriente

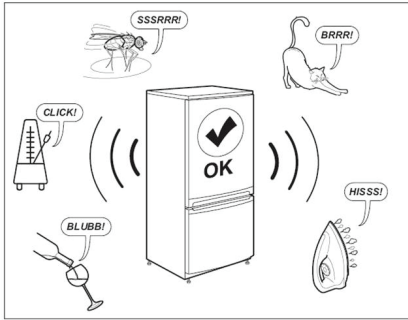
- Mantenga las puertas del aparato cerradas. De este modo la comida se conservará fría el mayor tiempo posible.

Solución de problemas

Problema	Causa posible	Solución
El aparato no funciona.	El aparato está apagado.	Encienda el aparato.
	El enchufe no está correctamente conectado a la toma de corriente.	Conecte el enchufe a la toma de corriente correctamente.
	No hay tensión en la toma de corriente.	Para saber si la toma de corriente funciona correctamente, conéctela a otro aparato eléctrico. Llame a un electricista profesional para reparar el enchufe.
El aparato hace ruido.	El aparato no está colocado de forma estable.	Nivelar el aparato. Consulte «Nivelación del aparato» o las Instrucciones de montaje independientes.
El compresor funciona de forma continua.	La temperatura seleccionada es demasiado baja.	Seleccione a una temperatura más alta. Consulte la sección «Funcionamiento».
	Se han introducido muchos alimentos al mismo tiempo.	Espere unas horas y compruebe la temperatura de nuevo.
	La temperatura ambiente es muy alta.	Vuelva a colocar el aparato si es posible. Consulte la sección «Colocación».
	Los alimentos introducidos en el aparato estaban demasiado calientes.	Deje enfriar los alimentos antes de almacenarlos.
	La puerta no está bien cerrada.	Consulte la sección «Cierre de la puerta».
La temperatura del aparato es muy alta/baja.	La temperatura no se ajustó correctamente.	Seleccione una temperatura más alta/baja.
	La puerta no está bien cerrada.	Consulte la sección «Cierre de la puerta».
	Los alimentos introducidos en el aparato estaban demasiado calientes.	Deje enfriar los alimentos antes de almacenarlos.
	Se han introducido muchos alimentos al mismo tiempo.	Introduzca menos alimentos al mismo tiempo.
	El grosor de la escarcha es de más de 4-5 mm.	Descongele el aparato.
	La puerta se ha abierto con demasiada frecuencia.	Abra la puerta solo cuando sea necesario.
	No circula suficiente aire frío en el aparato.	Vuelva a colocar los alimentos para que el aire pueda circular libremente en el aparato.
La puerta no se cierra por completo.	Consulte la sección «Cierre de la puerta».	

Ruidos normales

Es normal que el sistema de refrigeración genere algunos ruidos, como gorgoteos y silbidos.



Cierre de la puerta

Si	Debe
Las juntas de la puerta están sucias.	Limpiarlas.
Las juntas de la puerta presentan daños.	Ponerse en contacto con el servicio posventa para reemplazarlas.
La puerta está bloqueada por estanterías, cajones, alimentos, etc.	Colocar correctamente o retirar los objetos que bloquean la puerta.
El aparato no está nivelado.	Nivelar el aparato. Consulte «Nivelación del aparato» o las Instrucciones de montaje independientes.
La puerta no está alineada con el gabinete.	Ajustar la puerta. Consulte las Instrucciones de montaje independientes.

Antes de contactar con el Servicio postventa:

Reinicie el aparato para ver si se ha solucionado el fallo. Si persiste, vuelva a apagar el aparato y repita la operación pasada una hora.

Si el aparato sigue sin funcionar bien después de realizar las comprobaciones enumeradas en la guía de solución de problemas y de volver a encenderlo, póngase en contacto con el servicio de posventa, explique claramente el problema especificando:

- la naturaleza del problema
- la fecha de compra
- el modelo y el número de serie del aparato

❶ El número de artículo y el número de serie se muestran en la placa de características del lateral interior derecho del aparato.

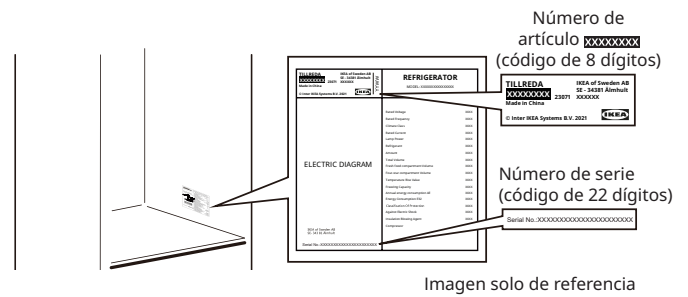


Imagen solo de referencia


Información técnica

Categoría de producto	
Tipo de producto	Frigorífico
Tipo de instalación	Libre (de pie)
Dimensiones del producto	
Alto	492 mm
Ancho	472 mm
Fondo	450 mm
Volumen neto	
Frigorífico	43,0 L
Sistema de descongelación	
Frigorífico	Manual
Otras especificaciones	
Potencia energética	-
Tiempo de subida de temperatura	-
Consumo de energía	80 kWh/año
Nivel de ruido	41 dB(A)
Clase energética	E
Voltaje nominal	220 - 240 V~
Frecuencia nominal	50 Hz
Fuente de luz de clase de eficiencia energética	-

Nota: Puede obtener la información del producto en la base de datos de productos escaneando el código QR de la etiqueta EPREL.


Cuestiones medioambientales

1. Materiales de embalaje

Materiales reciclables y marcados con el símbolo . Elimine los materiales de embalaje en contenedores establecidos para reciclaje. Mantenga los materiales de embalaje (bolsas de plástico, piezas de poliestireno, etc.) fuera del alcance de los niños, ya que son una fuente potencial de peligro para ellos.

2. Retirada/eliminación

Este aparato está fabricado con material reciclable. El aparato dispone del marcado de conformidad con la Directiva Europea 2002/96/CE sobre Residuos de Aparatos Eléctricos y Electrónicos (RAEE). Al garantizar la eliminación correcta de este aparato, puede ayudar a prevenir posibles consecuencias negativas para el medio ambiente y la salud de las personas.

El símbolo  en el aparato, o la documentación que lo acompaña, indica que este aparato no debe tratarse como residuo doméstico, sino que debe ser llevado a un centro especial de recogida de material eléctrico o electrónico para su reciclaje. Cuando deseche el aparato, déjelo inutilizable cortando el cable de alimentación y quitando las puertas y bandejas, de tal modo que los niños no puedan preparar fácilmente por su interior y quedarse atrapados.

Deseche el aparato conforme a la normativa local relativa a la eliminación de residuos, llevándolo a un centro de recogida especial; no deje el aparato sin atención incluso durante unos pocos días, ya que es una fuente de peligro potencial para los niños. Para más información sobre el tratamiento, recuperación y reciclaje de este producto, póngase en contacto con la oficina local competente, el servicio de recogida de residuos domésticos o el establecimiento en el que lo compró.

Declaración de conformidad

- Este aparato ha sido diseñado para la conservación de alimentos y ha sido fabricado de conformidad con la normativa (CE) No. 1935/2004.



- Este aparato ha sido diseñado, fabricado y comercializado cumpliendo:
 - los objetivos de seguridad de la Directiva 2014/35/UE de «Baja tensión» (que sustituye a la 2006/95/CE y sus enmiendas posteriores);

- los requisitos de protección de la Directiva 2014/30/EU «CEM».
- Este aparato ha sido diseñado, fabricado y comercializado cumpliendo:
 - Normativas de compatibilidad electromagnética 2016
 - Normativas de equipos eléctricos (seguridad) 2016



Garantía IKEA

¿Qué periodo de validez tiene la garantía de IKEA?

La garantía tiene una validez de **2 años** desde la fecha de compra, a menos que la normativa nacional especifique lo contrario. En Noruega, Portugal y España la garantía tiene una validez de 3 años desde la fecha de envío al cliente, a menos que la normativa nacional especifique lo contrario. Como justificante de la compra, necesitará la factura o recibo de compra original. Si se realizan reparaciones en el periodo de garantía, no se ampliará el periodo de garantía del aparato.

¿Quién llevará a cabo el servicio?

El proveedor de servicios de IKEA facilitará el mantenimiento a través de sus propias actividades de servicio o red de socios de servicio autorizados.

¿Qué cubre esta garantía?

La garantía cubre defectos del aparato, que pueden haber sido causados por defectos de fabricación o de materiales a partir de la fecha de la compra en IKEA. Esta garantía se aplica sólo al uso doméstico. Las excepciones se especifican en el título «¿Qué no cubre esta garantía?» Dentro del periodo de garantía, los costes para remediar el fallo, por ejemplo reparaciones, piezas, mano de obra y desplazamientos quedarán cubiertos, siempre que el aparato sea accesible para su reparación sin gastos especiales. En estas condiciones, se aplican las directrices de la UE (N.º 99/44/CE) y las correspondientes normativas locales. Las piezas sustituidas pasarán a ser propiedad de IKEA.

¿Qué hará IKEA para solucionar el problema?

El proveedor de servicios designado por IKEA examinará el producto y decidirá, según su criterio, si está cubierto por la garantía. Si lo cubre la garantía, el proveedor de servicios de IKEA o su socio de servicio autorizado a través de sus propias actividades de servicio, según su criterio, reparará el producto defectuoso o lo reemplazará por el mismo producto o uno similar.

¿Qué no cubre esta garantía?

- El deterioro o desgaste normal.
- Daños deliberados o causados por negligencia, daños causados por incumplimiento de las instrucciones de funcionamiento, instalación incorrecta, conexión a una tensión incorrecta, daños causados por reacciones químicas o electroquímicas, óxido, corrosión o daños causados por el agua incluyendo pero sin limitarse a los daños causados por un exceso de cal en el agua, y los daños provocados por condiciones medio ambientales anormales.
- Piezas consumibles, incluyendo las baterías y las bombillas.
- Piezas no funcionales y decorativas, que no afecten el uso normal del aparato, incluido cualquier posible arañazo y las diferencias de color.
- Daños accidentales provocados por sustancias u objetos extraños, por la limpieza o por el desbloqueo de los filtros, los sistemas de vaciado o los receptáculos de jabón.
- Daños provocados en las siguientes piezas: vidrio cerámico, accesorios, cestos para la vajilla y los cubiertos, tuberías de llenado o vaciado, juntas, bombillas o sus cubiertas, pantallas, mandos, revestimientos y partes de los revestimientos protectores. Salvo que se demuestre que tales daños hayan sido provocados por fallos de fabricación.
- Casos donde no se han encontrado fallos durante la visita de un técnico.
- Reparaciones no realizadas por nuestros proveedores de servicios y/o un servicio autorizado por IKEA, o cuando se utilicen piezas no originales.
- Reparaciones provocadas por una instalación defectuosa o que no cumpla las especificaciones de instalación.
- Uso del aparato en un entorno no-doméstico, por ejemplo en uso profesional.

- Daños de transporte. Si un cliente transporta el producto a su casa o a otra dirección, IKEA no se responsabiliza de los daños que pueda sufrir en el trayecto. No obstante, si IKEA entrega el producto en la dirección indicada por el cliente, los daños en el producto producidos con motivo del transporte serán cubiertos por IKEA.
- Coste de la instalación inicial del aparato IKEA. No obstante, si un proveedor de servicios de IKEA o su servicio autorizado repara o sustituye el aparato con arreglo a esta garantía, el proveedor de servicios o su servicio autorizado volverán a instalar el aparato arreglado o nuevo, si es necesario.

Estas restricciones no se aplican al trabajo realizado sin fallos por un especialista cualificado que utilice nuestras piezas originales para adaptar el aparato a las especificaciones técnicas de seguridad de otro país de la UE.

¿Cómo se aplica la ley nacional?

La garantía IKEA le otorga derechos legales específicos, que cubren o exceden todas las normativas legales locales. No obstante, estas condiciones no limitan de ningún modo los derechos de los consumidores descritos en la legislación local.

Área de validez

Para los aparatos comprados en un país de la UE y que son llevados a otro país de la UE, se proporcionarán los servicios de acuerdo con las condiciones de la garantía normales en el nuevo país. Sólo existe la obligación de realizar servicios en el marco de la garantía si el aparato cumple y está instalado según:

- las especificaciones técnicas del país en el que se realiza la reclamación;
- las instrucciones de montaje y la información de seguridad del Manual del Usuario.

El SERVICIO POSVENTA específico para electrodomésticos IKEA

No dude en ponerse en contacto con el servicio posventa designado por IKEA para:

- hacer una reclamación con arreglo a esta garantía;
- solicitar aclaraciones sobre la instalación del aparato de IKEA en los muebles de cocina específicos de IKEA;
- solicitar aclaraciones sobre las funciones de los aparatos IKEA.

Para asegurar de que le proporcionaremos la mejor asistencia, por favor, lea atentamente las Instrucciones de Montaje y/o el Manual de Instrucciones antes de contactar con nosotros.

¿Cómo contactar con nosotros si necesita nuestro servicio?



Puede encontrar los números de teléfono de los proveedores de servicios posventa designados por IKEA al final de este manual.

- ❗ **Para ofrecerle un servicio más rápido, le recomendamos que utilice los números de teléfono específicos que se encuentran en este manual. Utilice siempre los números de teléfono que figuran en el manual del usuario en particular para el que necesita ayuda. Recuerde proporcionar el número de artículo de 8 dígitos y el número de serie de 22 dígitos que se indican en la placa de características del aparato.**

- ❗ **¡GUARDE LA FACTURA O EL RECIBO DE COMPRA!** Es la prueba de la compra y la necesitará para hacer uso de la garantía. El recibo también incluye el nombre y el número del producto (8 dígitos) de IKEA, para cada uno de los electrodomésticos que compre.

¿Necesita ayuda adicional?

Para todas las cuestiones adicionales no relacionadas con el Centro de servicio autorizado sobre sus aparatos, por favor, diríjase a la central telefónica de la tienda IKEA más cercana. Le recomendamos que lea atentamente la documentación del aparato antes de contactar con nosotros.

Información sobre piezas de repuesto

- Las siguientes piezas de repuestos: termostatos, sensores de temperatura, placas de circuito impreso y fuentes de luz, estarán disponibles para reparadores profesionales durante un período mínimo de siete años, después de que se ponga a la venta la última unidad del modelo.
- Las siguientes piezas de repuestos: manijas de puertas, bisagras de puertas, bandejas y cestas estarán disponibles para reparadores profesionales y usuarios finales durante un período mínimo de siete años, y las juntas de las puertas durante un período mínimo de 10 años, después de que se ponga a la venta la última unidad del modelo.

Puede encontrar las piezas de repuesto en:

www.ikea.com

Περιεχόμενα

Πληροφορίες ασφαλείας.....	122	Καθημερινή χρήση	128
Οδηγίες ασφαλείας	123	Καθαρισμός και συντήρηση.....	128
Εγκατάσταση	125	Αντιμετώπιση προβλημάτων.....	129
Πρώτη χρήση	126	Τεχνικές πληροφορίες	131
Περιγραφή προϊόντος.....	127	Περιβαλλοντικά θέματα.....	131
Λειτουργία	127	Εγγύηση ΙΚΕΑ.....	132

Πληροφορίες ασφαλείας

Πριν από την εγκατάσταση και τη χρήση της συσκευής, διαβάστε προσεκτικά τις παρεχόμενες οδηγίες. Ο κατασκευαστής δεν ευθύνεται αν προκληθεί τραυματισμός ή ζημιά από λανθασμένη εγκατάσταση ή χρήση. Να φυλάσσετε πάντα τις παρούσες οδηγίες μαζί με τη συσκευή για μελλοντική αναφορά.

Ασφάλεια παιδιών και ευπαθών ατόμων



ΠΡΟΕΙΔΟΠΟΙΗΣΗ: Κίνδυνος πυρκαγιάς/Εύφλεκτα υλικά

- Η παρούσα συσκευή μπορεί να χρησιμοποιηθεί από παιδιά ηλικίας 8 ετών και άνω και από άτομα με μειωμένες σωματικές, αισθητηριακές ή πνευματικές δυνατότητες ή έλλειψη εμπειρίας και γνώσης, εφόσον επιβλέπονται ή έχουν λάβει οδηγίες σχετικά με τη χρήση της συσκευής με ασφαλή τρόπο και κατανοούν τους κινδύνους που ενέχονται. Τα παιδιά δεν πρέπει να παίζουν με τη συσκευή. Ο καθαρισμός και η συντήρηση από τον χρήστη δεν πρέπει να πραγματοποιούνται από παιδιά χωρίς επίβλεψη. Τα παιδιά πρέπει να παρακολουθούνται για να μην παίζουν με τη συσκευή.
- Η συσκευή αυτή μπορεί να χρησιμοποιηθεί από παιδιά ηλικίας μεταξύ 3 και 8 ετών και από άτομα με μειωμένες σωματικές, αισθητηριακές ή πνευματικές δυνατότητες εάν έχουν λάβει οδηγίες σχετικά με τη χρήση της συσκευής με ασφαλή τρόπο.

- Τα παιδιά κάτω των 3 ετών θα πρέπει παραμένουν μακριά, εκτός και αν βρίσκονται υπό συνεχή επίβλεψη.
- Μην αφήνετε τα παιδιά να παίζουν με τη συσκευή.
- Τα παιδιά δεν πρέπει να εκτελούν εργασίες καθαρισμού ή συντήρησης της συσκευής χωρίς επίβλεψη.
- Τα παιδιά ηλικίας από 3 έως 8 ετών επιτρέπεται να τοποθετούν τρόφιμα σε συσκευές ψύξης.
- Φυλάσσετε όλα τα υλικά συσκευασίας μακριά από τα παιδιά και απορρίψτε τα ορθά.

Γενικές πληροφορίες ασφαλείας

- Η παρούσα συσκευή προορίζεται για οικιακή χρήση και παρόμοιες εφαρμογές, όπως:
 - προσωπικό κουζίνας σε καταστήματα, γραφεία και άλλα επαγγελματικά περιβάλλοντα,
 - αγροτικές και από πελάτες σε ξενοδοχεία, μοτέλ και άλλα περιβάλλοντα οικιακού τύπου,
 - σε χώρους φιλοξενίας που προσφέρουν πρωινό,
 - κέτερινγκ και παρόμοιες μη εμπορικές εφαρμογές.
- **ΠΡΟΕΙΔΟΠΟΙΗΣΗ:** Διατηρείτε ελεύθερα από εμπόδια όλα τα ανοίγματα αερισμού στο περίβλημα της συσκευής ή την εντοιχισμένη κατασκευή.
- **ΠΡΟΕΙΔΟΠΟΙΗΣΗ:** Μη χρησιμοποιείτε μηχανικές συσκευές ή άλλα μέσα για την επιτάχυνση της διαδικασίας απόψυξης εκτός από εκείνα που συνιστά ο κατασκευαστής.

- **ΠΡΟΕΙΔΟΠΟΙΗΣΗ:** Μην προκαλείτε ζημιά στο κύκλωμα ψυκτικού υγρού.
- **ΠΡΟΕΙΔΟΠΟΙΗΣΗ:** Μη χρησιμοποιείτε ηλεκτρικές συσκευές στο εσωτερικό των θαλάμων συντήρησης τροφίμων της συσκευής, εκτός αν είναι συσκευές οι οποίες προτείνονται για αυτήν τη χρήση από τον κατασκευαστή.
- **ΠΡΟΕΙΔΟΠΟΙΗΣΗ:** Μη χρησιμοποιείτε ψεκασμό με νερό ή ατμό για τον καθαρισμό της συσκευής.
- **ΠΡΟΕΙΔΟΠΟΙΗΣΗ:** Καθαρίζετε τη συσκευή με ένα υγρό μαλακό πανί. Χρησιμοποιείτε μόνο ουδέτερα απορρυπαντικά. Μη χρησιμοποιείτε λειαντικά προϊόντα, σφουγγαράκια που χαράσσουν, διαλύτες ή μεταλλικά αντικείμενα.
- **ΠΡΟΕΙΔΟΠΟΙΗΣΗ:** Μην τοποθετείτε εκρηκτικές ουσίες, όπως φιάλες αεροζόλ με εύφλεκτο προωθητικό, σε αυτή τη συσκευή.
- **ΠΡΟΕΙΔΟΠΟΙΗΣΗ:** Εάν το καλώδιο τροφοδοσίας έχει υποστεί φθορές, θα πρέπει να αντικατασταθεί από τον κατασκευαστή, το εξουσιοδοτημένο κέντρο σέρβις ή κατάλληλα εξουσιοδοτημένο άτομο, ώστε να αποφευχθούν οι κίνδυνοι.
- **ΠΡΟΕΙΔΟΠΟΙΗΣΗ:** Κατά την τοποθέτηση της συσκευής, βεβαιωθείτε ότι το καλώδιο τροφοδοσίας δεν έχει παγιδευτεί ή υποστεί φθορά.
- **ΠΡΟΕΙΔΟΠΟΙΗΣΗ:** Μην τοποθετείτε πολλά φορητά πολύπριζα ή φορητές συσκευές τροφοδοσίας στο πίσω μέρος της συσκευής.
- Το άνοιγμα της πόρτας για μεγάλες χρονικές περιόδους μπορεί να προκαλέσει σημαντική αύξηση της θερμοκρασίας στους θαλάμους της συσκευής.
- Καθαρίζετε τακτικά τις επιφάνειες που μπορούν να έρθουν σε επαφή με τρόφιμα, καθώς και τα προσβάσιμα συστήματα αποστράγγισης.
- Καθαρίζετε τις δεξαμενές νερού εάν δεν έχουν χρησιμοποιηθεί για 48 ώρες. Ξεπλύνετε το σύστημα ύδρευσης που συνδέεται με παροχή νερού εάν δεν έχει αντληθεί νερό για 5 ημέρες.
- Αποθηκεύετε το ωμό κρέας και τα ψάρια σε κατάλληλα δοχεία στο ψυγείο, έτσι ώστε να μην έρχονται σε επαφή ή να μην στάζουν σε άλλα τρόφιμα.
- Εάν η συσκευή ψύξης πρόκειται να παραμείνει άδεια για μεγάλο χρονικό διάστημα, απενεργοποιήστε, αποψύξτε, καθαρίστε και στεγνώστε την και αφήστε την πόρτα ανοικτή για να αποφύγετε την ανάπτυξη μούχλας μέσα στη συσκευή.
- Αυτή η συσκευή ψύξης δεν προορίζεται για την κατάψυξη τροφίμων.
- Αυτή η συσκευή ψύξης δεν προορίζεται για χρήση ως εντοιχισμένη συσκευή.
- Οι θάλαμοι κατάψυξης δύο αστέρων είναι κατάλληλοι για την αποθήκευση προ-κατεψυγμένων τροφίμων, την αποθήκευση ή την παρασκευή παγωτού και την κατασκευή παγοκύβων.
- Οι θάλαμοι ενός, δύο και τριών αστέρων δεν είναι κατάλληλοι για την κατάψυξη νωπών τροφίμων.
- **ΠΡΟΕΙΔΟΠΟΙΗΣΗ:** Για να αποφευχθεί ο κίνδυνος λόγω αστάθειας της συσκευής, πρέπει να στερεωθεί σύμφωνα με τις οδηγίες.

Οδηγίες ασφαλείας

Εγκατάσταση

⚠ ΠΡΟΕΙΔΟΠΟΙΗΣΗ! Μόνο εξειδικευμένο άτομο μπορεί να εγκαταστήσει αυτήν τη συσκευή.

- Αφαιρέστε όλα τα υλικά συσκευασίας.
- Εάν η συσκευή έχει υποστεί ζημιά, μην προβείτε σε εγκατάσταση ή χρήση της.

- Ακολουθείτε τις οδηγίες εγκατάστασης που παρέχονται με τη συσκευή.
- Να είστε πάντα προσεκτικοί κατά τη μετακίνηση της συσκευής, καθώς είναι βαριά. Χρησιμοποιείτε πάντα γάντια ασφαλείας και κλειστά υποδήματα.
- Προσέξτε να μην προκαλέσετε ζημιά στο δάπεδο (π.χ. παρκέ) κατά τη μετακίνηση της συσκευής.
- Βεβαιωθείτε ότι η συσκευή δεν βρίσκεται κοντά σε πηγές θερμότητας.

- Εγκαταστήστε και οριζοντιώστε τη συσκευή σε δάπεδο αρκετά ισχυρό για να αντέξει το βάρος της και σε χώρο κατάλληλο για το μέγεθος και τη χρήση της.
- Διασφαλίστε την κυκλοφορία του αέρα γύρω από τη συσκευή.
- Κατά την πρώτη εγκατάσταση ή μετά την αντιστροφή του ανοίγματος της πόρτας, περιμένετε τουλάχιστον 4 ώρες πριν συνδέσετε τη συσκευή στην παροχή ρεύματος. Αυτό είναι απαραίτητο για να μπορέσει το λάδι να επιστρέψει στον συμπιεστή.
- Πριν πραγματοποιήσετε οποιαδήποτε εργασία στη συσκευή (π.χ. αντιστροφή του ανοίγματος της πόρτας), αφαιρέστε το φινι από την πρίζα.
- Η συσκευή πρέπει να βρίσκεται με την πλάτη στον τοίχο.
- Μην εγκαθιστάτε τη συσκευή σε θέση όπου εκτίθεται σε άμεσο ηλιακό φως.
- Μην εγκαθιστάτε τη συσκευή σε μέρη με υπερβολική υγρασία ή κρύο, όπως κελάρια κρασιού.

Ηλεκτρική σύνδεση

⚠ ΠΡΟΕΙΔΟΠΟΙΗΣΗ! Κίνδυνος πυρκαγιάς και ηλεκτροπληξίας.

⚠ ΠΡΟΕΙΔΟΠΟΙΗΣΗ! Κατά την τοποθέτηση της συσκευής, βεβαιωθείτε ότι το καλώδιο τροφοδοσίας δεν έχει παγιδευτεί ή υποστεί φθορά.

⚠ ΠΡΟΕΙΔΟΠΟΙΗΣΗ! Μη χρησιμοποιείτε πολύπριζα ή μπαλαντέζες.

- Η συσκευή πρέπει να είναι γειωμένη.
- Βεβαιωθείτε ότι οι παράμετροι στην πινακίδα τεχνικών χαρακτηριστικών είναι συμβατές με την ηλεκτρική τάση της παροχής.
- Χρησιμοποιείτε πάντα σωστά εγκατεστημένη πρίζα με προστασία κατά της ηλεκτροπληξίας.
- Προσέχετε να μην προκληθεί ζημιά στα ηλεκτρικά εξαρτήματα (π.χ. φινι τροφοδοσίας, καλώδιο τροφοδοσίας, συμπιεστής). Επικοινωνήστε με ένα Εξουσιοδοτημένο κέντρο σέρβις ή με ηλεκτρολόγο για την αντικατάσταση των ηλεκτρικών εξαρτημάτων.
- Το καλώδιο τροφοδοσίας πρέπει να παραμένει χαμηλότερα από το ύψος του φινι τροφοδοσίας.
- Συνδέστε το φινι τροφοδοσίας στην πρίζα μόνον αφού έχει ολοκληρωθεί η εγκατάσταση. Μετά την εγκατάσταση, βεβαιωθείτε ότι είναι δυνατή η πρόσβαση στο φινι τροφοδοσίας.
- Μην τραβάτε το καλώδιο ρεύματος για να αποσυνδέσετε τη συσκευή. Τραβάτε πάντα το φινι τροφοδοσίας.
- Μόνο για το Ηνωμένο Βασίλειο και την Ιρλανδία: Αυτή η συσκευή διαθέτει πρίζα 13 A. Εάν είναι απαραίτητο να αλλάξετε την ασφάλεια της πρίζας, χρησιμοποιήστε μόνο ασφάλεια 13 A ASTA (BS 1362).

Χρήση

⚠ ΠΡΟΕΙΔΟΠΟΙΗΣΗ! Κίνδυνος τραυματισμού, εγκαυμάτων, ηλεκτροπληξίας ή πυρκαγιάς.



Οι σωλήνες του ψυκτικού κυκλώματος περιέχουν μικρή ποσότητα του φιλικού προς το περιβάλλον αλλά εύφλεκτου ψυκτικού μέσου R600a. Δεν βλάπτει το στρώμα του όζοντος και δεν αυξάνει το φαινόμενο του θερμοκηπίου. Εάν το ψυκτικό μέσο διαφύγει, μπορεί να τραυματίσει τα μάτια σας ή να αναφλεγεί. Μην καταστρέψετε τους σωλήνες.

- Η επιφάνεια του συμπιεστή ενδέχεται να θερμανθεί πολύ κατά τη κανονική λειτουργία. Μην αγγίζετε τον συμπιεστή με τα χέρια σας.
- Μην αλλάζετε τις προδιαγραφές της παρούσας συσκευής.
- Μην τοποθετείτε ηλεκτρικές συσκευές (π.χ. παγωτομηχανές) μέσα στη συσκευή, εκτός αν αναφέρονται ως κατάλληλες για τον σκοπό αυτό από τον κατασκευαστή.
- Αν προκληθεί ζημιά στο κύκλωμα ψυκτικού υγρού, βεβαιωθείτε ότι δεν υπάρχει παρουσία φλόγας και πηγών ανάφλεξης στο χώρο. Αερίστε τον χώρο.
- Μην αφήνετε ζεστά αντικείμενα να έρθουν σε επαφή με τα πλαστικά μέρη της συσκευής.
- Μην αποθηκεύετε εμφιαλωμένα ποτά στον θάλαμο κατάψυξης για να αποφύγετε τυχόν έκρηξη ή άλλες ζημιές.
- Μη φυλάσσετε εύφλεκτα αέρια ή υγρά μέσα στη συσκευή.
- Μην τοποθετείτε μέσα, κοντά ή επάνω στη συσκευή εύφλεκτα αντικείμενα ή αντικείμενα εμποτισμένα με εύφλεκτα προϊόντα.
- Μην αγγίζετε τον συμπιεστή ή τον συμπυκνωτή. Αυτά τα εξαρτήματα είναι πολύ θερμά.
- Εάν τα χέρια σας είναι βρεγμένα ή νωπά, μην αφαιρείτε ή αγγίζετε προϊόντα από τον θάλαμο κατεψυγμένων τροφίμων.
- Μην καταπίνετε το περιεχόμενο (μη τοξικό) των παγοκύστεων.
- Μην τρώτε παγάκια ή γρανίτες αμέσως μόλις τα βγάλετε από την κατάψυξη, καθώς μπορεί να προκαλέσουν κρουπαγήματα.
- Μην καταψύχετε εκ νέου τρόφιμα που έχουν αποψυχθεί.
- Ακολουθείτε τις οδηγίες συντήρησης στη συσκευασία των τροφίμων.

Εσωτερικός φωτισμός

⚠ ΠΡΟΕΙΔΟΠΟΙΗΣΗ! Κίνδυνος ηλεκτροπληξίας.

- Ο λαμπτήρας που χρησιμοποιείται στο εσωτερικό της συσκευής είναι ειδικά σχεδιασμένος για οικιακές συσκευές και δεν είναι κατάλληλος για γενικό φωτισμό χώρων (Κανονισμός (ΕΕ) 2019/2020).

Φροντίδα και καθαρισμός

- ⚠ ΠΡΟΕΙΔΟΠΟΙΗΣΗ!** Κίνδυνος τραυματισμού ή βλάβης της συσκευής.
- Πριν από την πραγματοποίηση συντήρησης, απενεργοποιήστε τη συσκευή και αποσυνδέστε το φις τροφοδοσίας από την πρίζα.
 - Η παρούσα συσκευή περιέχει υδρογονάνθρακες στην ψυκτική μονάδα. Η συντήρηση και η αναπλήρωση του ψυκτικού υγρού της μονάδας πρέπει να πραγματοποιούνται μόνο από εξειδικευμένο άτομο.
 - Επιθεωρείτε τακτικά την οπή αποστράγγισης της συσκευής και, αν απαιτείται, καθαρίστε την. Εάν η οπή αποστράγγισης είναι φραγμένη, το νερό απόψυξης συσσωρεύεται στο κάτω μέρος της συσκευής.

Επισκευές

- Για επισκευή της συσκευής, επικοινωνήστε με το Εξουσιοδοτημένο κέντρο σέρβις που αναφέρεται στο τέλος αυτού του εγχειριδίου.
- Χρησιμοποιείτε μόνο γνήσια ανταλλακτικά.

Απόρριψη

- ⚠ ΠΡΟΕΙΔΟΠΟΙΗΣΗ!** Κίνδυνος τραυματισμού ή ασφυξίας.
- Αποσυνδέστε τη συσκευή από την τροφοδοσία ρεύματος.
 - Κόψτε το καλώδιο ρεύματος και απορρίψτε το.
 - Αφαιρέστε την πόρτα για να αποτραπεί ο εγκλεισμός παιδιών ή ζώων μέσα στη συσκευή.
 - Το κύκλωμα ψυκτικού και τα μονωτικά υλικά αυτής της συσκευής είναι φιλικά προς το όζον.
 - Ο αφρός μόνωσης περιέχει εύφλεκτο αέριο. Επικοινωνήστε με τις δημοτικές αρχές για πληροφορίες σχετικά με τη σωστή απόρριψη της συσκευής.
 - Μην προκαλείτε φθορές στο τμήμα της ψυκτικής μονάδας που βρίσκεται κοντά στον εναλλάκτη θερμότητας.

Ο κατασκευαστής αποποιείται κάθε ευθύνη για τραυματισμό ατόμων ή ζώων ή για υλικές ζημιές σε περίπτωση μη τήρησης των παραπάνω συμβουλών και προφυλάξεων.

Εγκατάσταση

- ⚠ ΠΡΟΕΙΔΟΠΟΙΗΣΗ!** Προτού εγκαταστήσετε τη συσκευή, διαβάστε προσεκτικά τις πληροφορίες ασφαλείας που περιέχονται στο παρόν φυλλάδιο.

Λίστα ελέγχου εγκατάστασης**Πόρτα**

- Η πόρτα σφραγίζει πλήρως σε όλες της πλευρές
- Η πόρτα είναι οριζοντιωμένη

Οριζοντίωση

- Το ψυγείο είναι επίπεδο

Τροφοδοσία

- Περιμένετε 4 ώρες
- Η παροχή της οικίας είναι ενεργή
- Το ψυγείο έχει συνδεθεί στην πρίζα

Τελικοί έλεγχοι

- Τα υλικά συσκευασίας έχουν αφαιρεθεί
- Η θερμοκρασία ψύξης έχει ρυθμιστεί

Τοποθέτηση

- Ακολουθήστε τις ξεχωριστές Οδηγίες συναρμολόγησης για να εγκαταστήσετε αυτήν τη συσκευή.
- Εγκαταστήστε αυτή τη συσκευή σε θέση όπου η θερμοκρασία περιβάλλοντος αντιστοιχεί στην κλιματική κατηγορία που αναγράφεται στην πινακίδα τεχνικών χαρακτηριστικών της. Με αυτόν τον τρόπο διασφαλίζεται η σωστή λειτουργία της συσκευής. Η επεξήγηση των κλιματικών κατηγοριών έχει ως εξής:

Κλιματική κατηγορία	Εύρος θερμοκρασίας περιβάλλοντος
SN	+10°C έως +32°C
N	+16°C έως +32°C
ST	+16°C έως +38°C
T	+16°C έως +43°C

- Η ένδειξη «SN» υποδεικνύει ότι αυτή η συσκευή ψύξης προορίζεται να χρησιμοποιηθεί σε θερμοκρασίες περιβάλλοντος από 10°C έως 32°C.
- Η ένδειξη «N» υποδεικνύει ότι αυτή η συσκευή ψύξης προορίζεται να χρησιμοποιηθεί σε θερμοκρασίες περιβάλλοντος από 16°C έως 32°C.
- Η ένδειξη «ST» υποδεικνύει ότι αυτή η συσκευή ψύξης προορίζεται να χρησιμοποιηθεί σε θερμοκρασίες περιβάλλοντος από 16°C έως 38°C.
- Η ένδειξη «T» υποδεικνύει ότι αυτή η συσκευή ψύξης προορίζεται να χρησιμοποιηθεί σε θερμοκρασίες περιβάλλοντος από 16°C έως 43°C.

- ⓘ** Σε ορισμένα μοντέλα συσκευών, ενδέχεται να παρουσιαστούν κάποια λειτουργικά προβλήματα κατά τη λειτουργία εκτός του καθορισμένου εύρους θερμοκρασίας. Η σωστή λειτουργία μπορεί να διασφαλιστεί μόνο εντός του καθορισμένου εύρους θερμοκρασίας. Εάν έχετε αμφιβολίες σχετικά με την εγκατάσταση, απευθυνθείτε στον πωλητή, στο τμήμα εξυπηρέτησης πελατών μας ή στο πλησιέστερο εξουσιοδοτημένο κέντρο σέρβις.

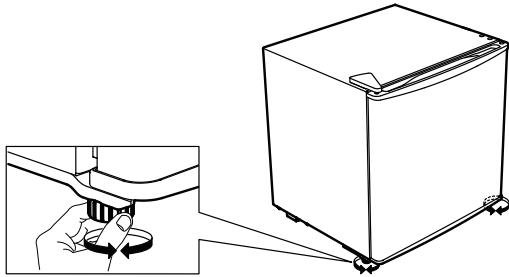
Θέση

Για να εξασφαλιστεί η βέλτιστη απόδοση, τοποθετήστε τη συσκευή μακριά από πηγές θερμότητας, όπως καλοριφέρ, λέβητες και άμεσο ηλιακό φως. Βεβαιωθείτε ότι ο αέρας μπορεί να κυκλοφορεί ελεύθερα γύρω από το πίσω μέρος του θαλάμου.

Ευθυγράμμιση της συσκευής

Εάν η συσκευή παρουσιάζει κλίση, ρυθμίστε τα δύο πέλματα της συσκευής για να οριζοντιώσετε τη συσκευή. Για λεπτομέρειες εγκατάστασης, ανατρέξτε στις ξεχωριστές Οδηγίες συναρμολόγησης.

1. Αποσυνδέστε το φινιρ τροφοδοσίας της συσκευής από την πρίζα.
2. Στρέψτε το πέλμα δεξιόστροφα για να αυξήσετε το ύψος της συσκευής. Στρέψτε το πέλμα αριστερόστροφα για να μειώσετε το ύψος της συσκευής.



Καθαρισμός της συσκευής

Προτού χρησιμοποιήσετε τη συσκευή για πρώτη φορά, καθαρίστε τη συσκευή για να απομακρύνετε την τυπική μυρωδιά ενός ολοκαίνουργιου προϊόντος.

1. Βεβαιωθείτε ότι η συσκευή είναι αποσυνδεδεμένη από την κύρια παροχή ηλεκτρικού ρεύματος.
2. Σκουπίστε το εσωτερικό με ένα μαλακό, υγρό πανί.
3. Πλύνετε τα εσωτερικά εξαρτήματα με χλιαρό νερό και λίγο ουδέτερο σαπούνι και, στη συνέχεια, στεγνώστε καλά.

ΠΡΟΣΟΧΗ!

Μη χρησιμοποιείτε λειαντικά, χλωριούχα ή όξινα καθαριστικά ή διαλύτες.

- Μην χρησιμοποιείτε συρμάτινα ή λειαντικά σφουγγάρια. Οι μεταλλικές επιφάνειες ενδέχεται να διαβρωθούν.
- Ποτέ μην πλένετε τα εξαρτήματα σε πλυντήριο πιάτων. Ενδέχεται να παραμορφωθούν.

Ηλεκτρική σύνδεση

⚠ ΠΡΟΣΟΧΗ! Κάθε ηλεκτρική εργασία που απαιτείται για την εγκατάσταση της συσκευής πρέπει να εκτελείται από ειδικευμένο ηλεκτρολόγο ή άλλο αρμόδιο άτομο.

⚠ ΠΡΟΕΙΔΟΠΟΙΗΣΗ! Η συσκευή απαιτεί τροφοδοσία από πρίζα με γείωση. Η μη τήρηση αυτών των οδηγιών ενδέχεται να οδηγήσει σε θάνατο, πυρκαγιά ή ηλεκτροπληξία.

Ο κατασκευαστής δεν φέρει καμία ευθύνη σε περίπτωση που δεν τηρούνται αυτά τα μέτρα ασφαλείας. Η συσκευή αυτή συμμορφώνεται με τις Οδηγίες της ΕΟΚ.

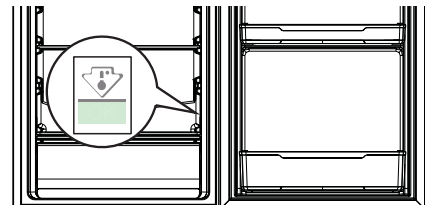
Πρώτη χρήση

Συνδέστε τη συσκευή στην τροφοδοσία. Οι ιδανικές θερμοκρασίες αποθήκευσης τροφίμων είναι ήδη ρυθμισμένες εργοστασιακά (μέσες).

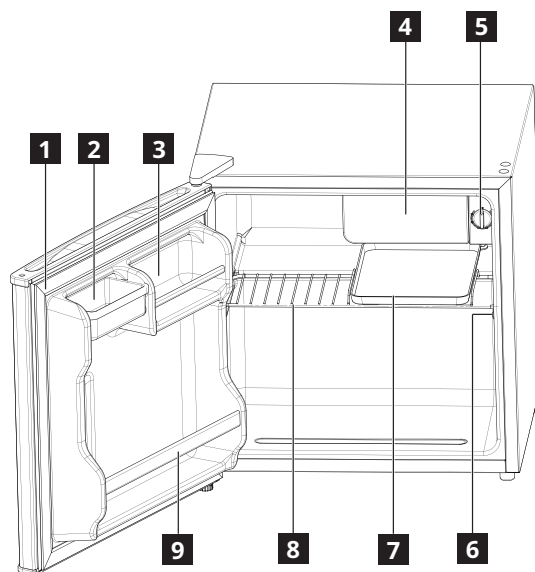
Σημείωση: Μετά την ενεργοποίηση, η συσκευή χρειάζεται 4-5 ώρες προκειμένου να φτάσει στη σωστή θερμοκρασία για την αποθήκευση ενός τυπικού όγκου τροφίμων.

Σημαντικό!

Σύμφωνα με τους κανονισμούς που ισχύουν σε ορισμένες χώρες, πρέπει να παρέχεται με μια ειδική διάταξη (βλ. εικόνα κάτω) τοποθετημένη στον κάτω θάλαμο ψύξης για να υποδεικνύει την πιο κρύα ζώνη του.



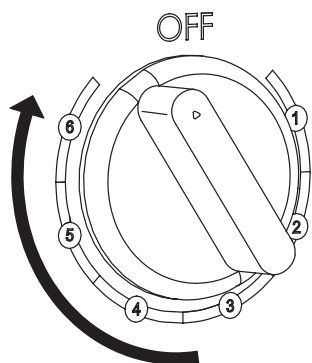
Περιγραφή προϊόντος



- 1** Λάστιχο πόρτας
- 2** Κιβώτιο συντήρησης
- 3** Βάση για κουτιά αναψυκτικών
- 4** Θάλαμος ταχείας ψύξης

- 5** Ρυθμιστής θερμοκρασίας
- 6** Πινακίδα χαρακτηριστικών
- 7** Δίσκος απόψυξης
- 8** Ράφι
- 9** Βάση φιαλών

Λειτουργία



Ρυθμίστε τη θερμοκρασία λαμβάνοντας υπόψη ότι η θερμοκρασία στο εσωτερικό της συσκευής εξαρτάται από:

- τη θερμοκρασία δωματίου
- πόσο συχνά ανοίγει η πόρτα
- την ποσότητα των τροφίμων
- τη θέση της συσκευής.

Σημαντικό! Εάν η θερμοκρασία περιβάλλοντος είναι υψηλή ή η συσκευή είναι πλήρως φορτωμένη και έχει ρυθμιστεί στις χαμηλότερες θερμοκρασίες, ενδέχεται να λειτουργεί συνεχώς δημιουργώντας πάγο στο πίσω τοίχωμα. Σε αυτή την περίπτωση, επιλέξτε μια υψηλότερη θερμοκρασία ώστε να είναι δυνατή η αυτόματη απόψυξη και, επομένως, η εξοικονόμηση ηλεκτρικής ενέργειας.

Συμβουλές:

- Όσο χαμηλότερη είναι η θερμοκρασία, αυξάνεται ο χρόνος για τον οποίο μπορείτε να αποθηκεύσετε με ασφάλεια τα τρόφιμά σας και ταυτόχρονα αυξάνεται και η ηλεκτρική ενέργεια που καταναλώνει η συσκευή.
- Όσο υψηλότερη είναι η θερμοκρασία, τα τρόφιμά σας αλλοιώνονται πιο γρήγορα και μειώνεται η ηλεκτρική ενέργεια που καταναλώνει η συσκευή.

Απενεργοποίηση της συσκευής

Για να απενεργοποιήσετε τη συσκευή, στρέψτε τον περιστροφικό διακόπτη ρύθμισης θερμοκρασίας στη θέση «OFF» και, στη συνέχεια, αποσυνδέστε το φις από την πρίζα.

Ενεργοποίηση της συσκευής

Συνδέστε το βύσμα σε μια πρίζα και προσαρμόστε τη θερμοκρασία. Η συσκευή ενεργοποιείται και αρχίζει να λειτουργεί.

Ρύθμιση της θερμοκρασίας

Η θερμοκρασία ρυθμίζεται αυτόματα.

Για ρύθμιση της θερμοκρασίας:

- Στρέψτε τον περιστροφικό διακόπτη ρύθμισης θερμοκρασίας προς μία χαμηλότερη ρύθμιση για να ελαττώσετε την ψύξη.
- Στρέψτε τον περιστροφικό διακόπτη ρύθμισης θερμοκρασίας προς μία υψηλότερη ρύθμιση για να αυξήσετε την ψύξη.

i Η πλέον κατάλληλη είναι συνήθως μια ενδιάμεση ρύθμιση.

Καθημερινή χρήση

Συμβουλές ψύξης νωπών τροφίμων

- Καλύπτετε ή τυλίγετε τα τρόφιμα, ιδιαίτερα εάν έχουν έντονη οσμή.
- Τοποθετείτε τα τρόφιμα με τέτοιο τρόπο, ώστε ο αέρας να κυκλοφορεί ελεύθερα γύρω τους.
- Για βέλτιστη απόδοση, αφήνετε αρκετό χώρο στον θάλαμο ψύξης για την κυκλοφορία του αέρα γύρω από τις συσκευασίες. Αφήνετε επίσης αρκετό χώρο στο μπροστινό μέρος, ώστε η πόρτα να κλείνει ερμητικά.
- Μην τοποθετείτε στο ψυγείο ζεστά τρόφιμα ή υγρά που εξατμίζονται;
- Μαγειρεμένα τρόφιμα και κρύα πιάτα: καλύψτε και τοποθετήστε σε οποιοδήποτε ράφι.
- Φρούτα και λαχανικά: καθαρίστε καλά και τοποθετήστε στο ειδικό συρτάρι των λαχανικών. Οι μπανάνες, οι πατάτες, τα κρεμμύδια και τα σκόρδα δεν πρέπει να φυλάσσονται στο ψυγείο χωρίς συσκευασία.
- Βούτυρο και τυρί: τοποθετήστε σε ειδικά αεροστεγή δοχεία ή να τυλίξετε με αλουμινόχαρτο ή σε πλαστικές σακούλες, αφαιρώντας όσο το δυνατόν περισσότερο αέρα.
- Μπουκάλια: κλείστε τα καπάκια και τοποθετήστε τα στα ράφια της πόρτας.

Συμβουλές εξοικονόμησης ενέργειας

- Εγκαταστήστε τη συσκευή σε στεγνό, καλά αεριζόμενο χώρο μακριά από οποιαδήποτε πηγή θερμότητας (π.χ. καλοριφέρ, μαγειρική εστία κ.λπ.) και σε μέρος όπου δεν εκτίθεται απευθείας στον ήλιο. Εάν είναι απαραίτητο, χρησιμοποιήστε μια μονωτική πλάκα.

- Για να εξασφαλίσετε επαρκή εξαερισμό ακολουθήστε τις οδηγίες εγκατάστασης.
- Ο ανεπαρκής εξαερισμός στο πίσω μέρος του προϊόντος αυξάνει την κατανάλωση ενέργειας και μειώνει την απόδοση της ψύξης.
- Οι εσωτερικές θερμοκρασίες της συσκευής ενδέχεται να επηρεαστούν από τη θερμοκρασία περιβάλλοντος, τη συχνότητα ανοίγματος της πόρτας, καθώς και τη θέση της συσκευής. Η ρύθμιση της θερμοκρασίας θα πρέπει να λαμβάνει υπόψη τους παράγοντες αυτούς.
- Αφήστε τα ζεστά τρόφιμα και ποτά να ψυχθούν προτού τα τοποθετήσετε στη συσκευή.
- Μην εμποδίζετε τον ανεμιστήρα (εάν υπάρχει) με αντικείμενα τροφίμων.
- Αφού τοποθετήσετε ή αφαιρέσετε τρόφιμα, βεβαιωθείτε ότι κλείνετε σωστά την πόρτα, ειδικά την πόρτα της κατάψυξης.
- Μειώστε τη συχνότητα ανοίγματος της πόρτας στο ελάχιστο.
- Όταν ξεπαγώνετε κατεψυγμένα τρόφιμα, τοποθετήστε τα στον θάλαμο ψύξης. Η χαμηλή θερμοκρασία των κατεψυγμένων προϊόντων ψύχει τα τρόφιμα στο ψυγείο.
- Η τοποθέτηση των ραφιών στο ψυγείο δεν επηρεάζει την αποδοτική χρήση της ενέργειας. Τα τρόφιμα πρέπει να τοποθετούνται στα ράφια με τέτοιο τρόπο ώστε να διασφαλίζεται η σωστή κυκλοφορία του αέρα (τα τρόφιμα δεν πρέπει να ακουμπούν μεταξύ τους και πρέπει να διατηρείται απόσταση μεταξύ των τροφίμων και του πίσω τοιχώματος).
- Τυχόν λάστιχα που έχουν υποστεί φθορά πρέπει να αντικαθίσταται το συντομότερο δυνατό.

Καθαρισμός και συντήρηση

Γενικές συμβουλές

- Καθαρίζετε τακτικά τη συσκευή με ένα πανί και ένα διάλυμα ζεστού νερού και ουδέτερου απορρυπαντικού ειδικά σχεδιασμένου για το εσωτερικό των ψυγείων. Μην χρησιμοποιείτε λειαντικά καθαριστικά ή εργαλεία.
- Πριν από τη συντήρηση ή τον καθαρισμό της συσκευής, αποσυνδέστε την από την πρίζα ή την παροχή ρεύματος.

ΠΡΟΣΟΧΗ! Τα εξαρτήματα του ψυγείου δεν πρέπει να τοποθετούνται σε πλυντήριο πιάτων.

Απόψυξη της συσκευής

- Πραγματοποιείτε απόψυξη της συσκευής κάθε φορά που το στρώμα πάγου στην επιφάνεια του εξατμιστή φτάνει σε πάχος 3 έως 4 mm.

- Πριν από την απόψυξη, αφαιρέστε όλα τα τρόφιμα και απενεργοποιήστε τη συσκευή. Τοποθετήστε τον δίσκο απόψυξης κάτω από τον εξατμιστή για την συλλογή του νερού.
- Αφού λιώσει όλος ο πάγος, αδειάστε το νερό, στεγνώστε το εσωτερικό της συσκευής με ένα στεγνό πανί και ενεργοποιήστε ξανά τη συσκευή.

Εάν δεν πρόκειται να χρησιμοποιήσετε τη συσκευή για παρατεταμένο χρονικό διάστημα

1. Απενεργοποιήστε τη συσκευή.
2. Αποσυνδέστε τη συσκευή από την τροφοδοσία.
3. Αφαιρέστε όλα τα τρόφιμα.
4. Αποψύξτε και καθαρίστε τη συσκευή.
5. Αφήστε τις πόρτες ανοιχτές όσο χρειάζεται για να κυκλοφορεί ο αέρας στο εσωτερικό των διαμερισμάτων. Αυτό θα αποτρέψει τον σχηματισμό μούχλας και δυσάρεστων οσμών.

Σε περίπτωση διακοπής ρεύματος

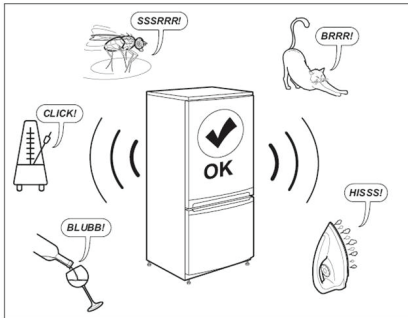
- Κρατήστε τις πόρτες της συσκευής κλειστές. Αυτό θα επιτρέψει στα τρόφιμα να παραμείνουν κρύα όσο το δυνατόν περισσότερο.

Αντιμετώπιση προβλημάτων

Πρόβλημα	Πιθανή αιτία	Λύση
Η συσκευή δεν λειτουργεί.	Η συσκευή είναι απενεργοποιημένη.	Ενεργοποιήστε τη συσκευή.
	Δεν έχει συνδεθεί σωστά το φις τροφοδοσίας στην πρίζα.	Συνδέστε σωστά το φις τροφοδοσίας στην πρίζα.
	Δεν υπάρχει τάση ρεύματος στην πρίζα.	Για να δείτε αν η πρίζα ρεύματος λειτουργεί, συνδέστε σε αυτήν μια διαφορετική ηλεκτρική συσκευή. Επικοινωνήστε με έναν εξειδικευμένο ηλεκτρολόγο για επισκευή της πρίζας.
Η συσκευή κάνει θόρυβο.	Η συσκευή δεν έχει τοποθετηθεί σταθερά.	Ευθυγραμμίστε τη συσκευή. Ανατρέξτε στην ενότητα «Ευθυγράμμιση της συσκευής» ή στις ξεχωριστές Οδηγίες συναρμολόγησης.
Ο συμπιεστής λειτουργεί διαρκώς.	Η ορισμένη θερμοκρασία είναι υπερβολικά χαμηλή.	Ρυθμίστε υψηλότερη θερμοκρασία. Ανατρέξτε στην ενότητα «Λειτουργία».
	Τοποθετήθηκαν ταυτόχρονα μεγάλες ποσότητες τροφίμων.	Περιμένετε μερικές ώρες και ελέγξτε ξανά τη θερμοκρασία.
	Η θερμοκρασία περιβάλλοντος είναι πολύ υψηλή.	Αν είναι δυνατόν, επανατοποθετήστε τη συσκευή. Ανατρέξτε στην ενότητα «Τοποθέτηση».
	Τα τρόφιμα που τοποθετήσατε στη συσκευή ήταν πολύ ζεστά.	Περιμένετε μέχρι τα τρόφιμα να αποκτήσουν θερμοκρασία δωματίου πριν τα τοποθετήσετε στο ψυγείο.
	Δεν έχει κλείσει σωστά η πόρτα.	Ανατρέξτε στην ενότητα «Κλείσιμο της πόρτας».
Η θερμοκρασία στη συσκευή είναι πολύ χαμηλή/πολύ υψηλή.	Η θερμοκρασία δεν ρυθμίστηκε σωστά.	Ρυθμίστε υψηλότερη/χαμηλότερη θερμοκρασία.
	Δεν έχει κλείσει σωστά η πόρτα.	Ανατρέξτε στην ενότητα «Κλείσιμο της πόρτας».
	Τα τρόφιμα που τοποθετήσατε στη συσκευή ήταν πολύ ζεστά.	Περιμένετε μέχρι τα τρόφιμα να αποκτήσουν θερμοκρασία δωματίου πριν τα τοποθετήσετε στο ψυγείο.
	Τοποθετήθηκαν ταυτόχρονα μεγάλες ποσότητες τροφίμων.	Τοποθετείτε λιγότερα τρόφιμα ταυτόχρονα.
	Το πάχος του πάγου είναι μεγαλύτερο από 4-5 mm.	Πραγματοποιήστε απόψυξη της συσκευής.
	Η πόρτα έχει ανοίξει πολλές φορές.	Ανοίγετε την πόρτα μόνο όταν είναι απαραίτητο.
	Δεν υπάρχει επαρκής κυκλοφορία ψυχρού αέρα στη συσκευή.	Επανατοποθετήστε τα τρόφιμα με τέτοιο τρόπο, ώστε ο αέρας να κυκλοφορεί ελεύθερα στη συσκευή.
Η πόρτα δεν κλείνει σωστά.	Ανατρέξτε στην ενότητα «Κλείσιμο της πόρτας».	

Φυσιολογικοί θόρυβοι

Είναι φυσιολογικό το σύστημα ψύξης να παράγει κάποιους θορύβους, όπως γουργουρητό και σφύριγμα.



Κλείσιμο της πόρτας

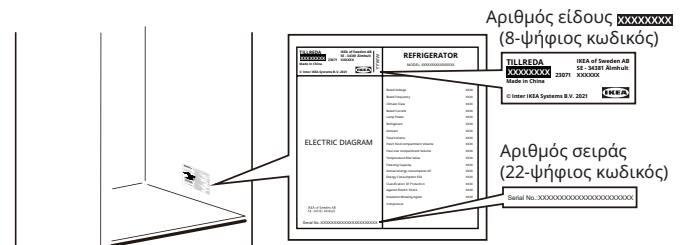
Αν	Πρέπει
Τα λάστιχα της πόρτας είναι λερωμένα.	Καθαρίστε τα.
Τα λάστιχα της πόρτας είναι φθαρμένα.	Επικοινωνήστε με το Κέντρο Εξυπηρέτησης μετά την Πώληση για αντικατάσταση.
Η πόρτα εμποδίζεται από ράφια, συρτάρια, τρόφιμα κ.λπ.	Τοποθετήστε σωστά ή αφαιρέστε τα αντικείμενα που εμποδίζουν την πόρτα.
Το ψυγείο δεν έχει τοποθετηθεί σε οριζόντια θέση.	Ευθυγραμμίστε τη συσκευή. Ανατρέξτε στην ενότητα «Ευθυγράμμιση της συσκευής» ή στις ξεχωριστές Οδηγίες συναρμολόγησης.
Η πόρτα δεν είναι ευθυγραμμισμένη με το ντουλάπι.	Ρυθμίστε την πόρτα. Ανατρέξτε στις ξεχωριστές Οδηγίες συναρμολόγησης.

Προτού επικοινωνήσετε με το τμήμα εξυπηρέτησης μετά την πώληση:

Επανεκκινήστε τη συσκευή για να διαπιστώσετε αν η βλάβη έχει αποκατασταθεί. Εάν παραμένει, απενεργοποιήστε ξανά τη συσκευή και ενεργοποιήστε την ξανά μετά από μία ώρα. Εάν η συσκευή εξακολουθεί να μη λειτουργεί σωστά μετά τη διενέργεια των ελέγχων που αναφέρονται στον οδηγό αντιμετώπισης προβλημάτων και την εκ νέου ενεργοποίηση της συσκευής, επικοινωνήστε με την υπηρεσία εξυπηρέτησης μετά την πώληση, εξηγώντας με σαφήνεια το πρόβλημα και διευκρινίζοντας τα εξής:

- τη φύση του προβλήματος
- την ημερομηνία αγοράς
- το μοντέλο και τον σειριακό αριθμό της συσκευής

❗ Ο κωδικός προϊόντος και ο σειριακός αριθμός αναγράφονται στην πινακίδα τεχνικών χαρακτηριστικών στην εσωτερική δεξιά πλευρά της συσκευής.



Η εικόνα προορίζεται αποκλειστικά για σκοπούς αναφοράς


Τεχνικές πληροφορίες

Κατηγορία προϊόντος	
Τύπος προϊόντος	Ψυγείο
Τύπος εγκατάστασης	Ελεύθερο
Διαστάσεις προϊόντος	
Ύψος	492 mm
Πλάτος	472 mm
Βάθος	450 mm
Καθαρός όγκος	
Ψυγείο	43,0 λίτρα
Σύστημα απόψυξης	
Ψυγείο	Μη αυτόματο
Άλλες προδιαγραφές	
Βαθμολογία αστεριών	-
Χρόνος ανόδου θερμοκρασίας	-
Κατανάλωση ενέργειας	80 kWh/έτος
Στάθμη θορύβου	41 dB(A)
Ενεργειακή κλάση	E
Ονομαστική τάση	220 - 240V~
Ονομαστική συχνότητα	50 Hz
Πηγή φωτός της κατηγορίας ενεργειακής απόδοσης	-

Σημείωση: Μπορείτε να αποκτήσετε πρόσβαση στις πληροφορίες σχετικά με το προϊόν στη βάση δεδομένων του προϊόντος σαρώνοντας τον κωδικό QR στην ετικέτα EPREL.

Περιβαλλοντικά θέματα

1. Υλικά συσκευασίας

Τα ανακυκλώσιμα υλικά επισημαίνονται με το σύμβολο .

Τοποθετήστε τα υλικά συσκευασίας σε κατάλληλα δοχεία προς ανακύκλωση.

Τα υλικά συσκευασίας (πλαστικές σακούλες, φελιζόλ κλπ.) πρέπει να φυλάσσονται μακριά από παιδιά, γιατί αποτελούν πιθανή εστία κινδύνου.

2. Απόρριψη

Η συσκευή κατασκευάστηκε με ανακυκλώσιμα υλικά. Αυτή η συσκευή φέρει σήμανση σύμφωνα με την Ευρωπαϊκή οδηγία 2002/96/ΕΕ σχετικά με Απορριπτόμενα ηλεκτρικά και ηλεκτρονικά εξαρτήματα (WEEE). Εξασφαλίζοντας την ορθή διάθεση αυτού του προϊόντος, συμβάλλετε στην αποφυγή ενδεχόμενων αρνητικών συνεπειών για το περιβάλλον και την ανθρώπινη υγεία.

Το σύμβολο  πάνω στο προϊόν, ή στα έγγραφα

που συνοδεύουν το προϊόν, υποδεικνύει ότι αυτή η συσκευή δεν μπορεί να θεωρηθεί οικιακό απόρριμμα και πρέπει να παραδοθεί σε ειδικό σημείο περισυλλογής για την ανακύκλωση ηλεκτρικών και ηλεκτρονικών εξαρτημάτων. Πριν την απόρριψη, αχρηστέψτε τη συσκευή κόβοντας το ηλεκτρικό καλώδιο και αφαιρώντας τις πόρτες και τα ράφια έτσι ώστε να μην υπάρχει κίνδυνος εγκλωβισμού παιδιών.

Απορρίψτε τη συσκευή το τηρώντας την τοπική νομοθεσία για τη διάθεση των απορριμμάτων και παραδώστε το στα ειδικά κέντρα ανακύκλωσης, χωρίς να το αφήσετε αφύλαχτο ούτε για λίγες ημέρες, καθώς αποτελεί εστία κινδύνου για τα παιδιά. Για περισσότερες πληροφορίες σχετικά με την επεξεργασία, την ανάκτηση και την ανακύκλωση αυτού του προϊόντος, επικοινωνήστε με τις τοπικές αρχές, την υπηρεσία συλλογής οικιακών απορριμμάτων ή το κατάστημα που αγοράσατε τη συσκευή.

Δήλωση συμμόρφωσης

- Αυτή η συσκευή έχει σχεδιαστεί για τη συντήρηση τροφίμων και έχει κατασκευαστεί σύμφωνα με τον Κανονισμό (ΕC) αριθ. 1935/2004.



- Αυτή η συσκευή έχει σχεδιαστεί, κατασκευαστεί και διατεθεί στην αγορά σύμφωνα με:
 - τους στόχους ασφαλείας της οδηγίας 2014/35/ΕΕ περί Χαμηλής τάσης (η οποία αντικαθιστά την οδηγία 2006/95/ΕΚ και τις μετέπειτα τροποποιήσεις),

- τις απαιτήσεις προστασίας της οδηγίας "EMC" 2014/30/ΕΕ.
- Αυτή η συσκευή έχει σχεδιαστεί, κατασκευαστεί και διατεθεί στην αγορά σύμφωνα με:
 - Κανονισμοί για την Ηλεκτρομαγνητική συμβατότητα του 2016
 - Κανονισμοί για τον Ηλεκτρικό εξοπλισμό (ασφάλεια) του 2016

**Εγγύηση ΙΚΕΑ****Για πόσο διάστημα ισχύει η εγγύηση της ΙΚΕΑ;**

Η εγγύηση ισχύει για **2 χρόνια** από την ημερομηνία αγοράς, εκτός εάν ορίζεται κάτι διαφορετικό από την εθνική νομοθεσία. Στη Νορβηγία, την Πορτογαλία και την Ισπανία η εγγύηση ισχύει για 3 χρόνια από την ημερομηνία παράδοσης στον πελάτη, εκτός εάν ορίζεται κάτι διαφορετικό από την εθνική νομοθεσία. Απαιτείται η πρωτότυπη απόδειξη αγοράς ως αποδεικτικό στοιχείο. Εάν εκτελεστούν εργασίες σέρβις εντός εγγύησης, δε θα επεκταθεί το χρονικό διάστημα της εγγύησης για τη συσκευή.

Ποιος εκτελεί τις εργασίες επισκευής;

Ο πάροχος τεχνικής εξυπηρέτησης της ΙΚΕΑ θα μεριμνήσει για την επισκευή μέσω του εξουσιοδοτημένου δικτύου συνεργατών τεχνικής εξυπηρέτησης.

Ποιες περιπτώσεις καλύπτονται από τη συγκεκριμένη εγγύηση;

Η εγγύηση καλύπτει βλάβες της συσκευής που προκλήθηκαν από εσφαλμένη κατασκευή ή από αστοχίες υλικού από την ημερομηνία αγοράς από την ΙΚΕΑ. Η εγγύηση αυτή ισχύει μόνο για οικιακή χρήση. Οι εξαιρέσεις αναγράφονται κάτω από την επικεφαλίδα «Ποιες περιπτώσεις δεν καλύπτονται από τη συγκεκριμένη εγγύηση;» Κατά τη διάρκεια ισχύος της εγγύησης, καλύπτεται το κόστος αποκατάστασης της βλάβης, π.χ. επισκευές, εξαρτήματα, εργατικά και μετακινήσεις, εφόσον για την επισκευή της συσκευής δεν απαιτούνται ειδικές δαπάνες. Υπό αυτές τις προϋποθέσεις εφαρμόζονται οι οδηγίες της ΕΕ (Αρ. 99/44/ΕΚ) και οι αντίστοιχες εθνικές διατάξεις. Τα εξαρτήματα που αντικαθιστώνται περιέρχονται στην κατοχή της ΙΚΕΑ.

Τι θα κάνει η ΙΚΕΑ για να διορθώσει το πρόβλημα;

Ο πάροχος τεχνικής εξυπηρέτησης της ΙΚΕΑ θα εξετάσει το προϊόν και θα αποφασίσει, κατά την αποκλειστική διακριτική του ευχέρεια, αν καλύπτεται από την παρούσα εγγύηση. Εφόσον αυτό κριθεί ότι καλύπτεται, ο πάροχος τεχνικής εξυπηρέτησης της ΙΚΕΑ ή ο εξουσιοδοτημένος συνεργάτης τεχνικής εξυπηρέτησης, θα προβεί στη συνέχεια, κατά την αποκλειστική διακριτική του ευχέρεια, είτε στην επισκευή του προβληματικού προϊόντος, είτε στην αντικατάστασή του με άλλο ίδιο ή αντίστοιχο προϊόν.

Ποιες περιπτώσεις δεν καλύπτονται από τη συγκεκριμένη εγγύηση;

- Φυσιολογική φθορά.
- Βλάβη από πρόθεση ή αμέλεια, βλάβη που οφείλεται σε μη τήρηση των οδηγιών λειτουργίας, εσφαλμένη εγκατάσταση ή σύνδεση σε ακατάλληλη τάση, βλάβη που οφείλεται σε χημική ή ηλεκτροχημική αντίδραση, σκουριά, διάβρωση ή βλάβη λόγω του νερού, συμπεριλαμβανομένης, ενδεικτικά, βλάβης λόγω υπερβολικής συσσώρευσης αλάτων στην παροχή νερού, καθώς και βλάβη που οφείλεται σε μη φυσιολογικές περιβαλλοντικές συνθήκες.
- Αναλώσιμα εξαρτήματα, συμπεριλαμβανομένων μπαταριών και λαμπτήρων.
- Τα μη λειτουργικά ή τα διακοσμητικά εξαρτήματα που δεν επηρεάζουν την κανονική χρήση της συσκευής, συμπεριλαμβανομένων των γρατζουνιών και των πιθανών δυσχρωμιών.
- Τυχαιά βλάβη που προκαλείται από ξένα σωματίδια ή ουσίες, καθώς και βλάβη που οφείλεται στον καθαρισμό ή την απόφραξη φίλτρων, συστημάτων αποστράγγισης ή θηκών απορρυπαντικού.
- Ζημιές στα παρακάτω εξαρτήματα: υαλοκεραμικές επιφάνειες, πρόσθετα εξαρτήματα, σκεύη και καλάθια μαχαιροπίρουνων, σωλήνες παροχής και αποστράγγισης, λάστιχα στεγανοποίησης, λαμπτήρες και καλύμματα λαμπτήρων, οθόνες, διακόπτες, περιβλήματα και τμήματα περιβλημάτων. Εκτός εάν αυτές οι ζημιές αποδεχτεί πως έχουν προκληθεί από ελαττωματική λειτουργία του προϊόντος.
- Οι περιπτώσεις όπου δεν διαπιστώθηκε πρόβλημα κατά την επίσκεψη του τεχνικού.
- Οι επισκευές που δεν πραγματοποιήθηκαν από εξουσιοδοτημένους και/ή από αντισυμβαλλόμενους τεχνικούς παροχής υπηρεσιών σέρβις, ή όταν έχουν χρησιμοποιηθεί μη γνήσια ανταλλακτικά.
- Επισκευές λόγω εσφαλμένης εγκατάστασης ή εγκατάστασης που δεν πληρεί τις προδιαγραφές.
- Η χρήση της συσκευής σε μη οικιακό περιβάλλον, π.χ. επαγγελματική χρήση.

- Ζημιές κατά τη μεταφορά. Αν ο πελάτης μεταφέρει το προϊόν στο σπίτι του ή σε άλλη διεύθυνση, η IKEA δεν είναι υπεύθυνη για οποιαδήποτε ζημιά προκληθεί κατά τη μεταφορά. Ωστόσο, αν η IKEA μεταφέρει το προϊόν στη διεύθυνση παράδοσης του πελάτη, η βλάβη που μπορεί να προκληθεί κατά τη μεταφορά θα καλυφθεί από την IKEA.
- Το κόστος για την αρχική εγκατάσταση της συσκευής IKEA. Ωστόσο, αν ένας εξουσιοδοτημένος πάροχος υπηρεσιών σέρβις της IKEA ή αντισυμβαλλόμενος του επισκευάσει ή αντικαταστήσει τη συσκευή υπό το καθεστώς εγγύησης, ο εξουσιοδοτημένος πάροχος υπηρεσιών σέρβις ή ο αντισυμβαλλόμενος του θα επανεγκαταστήσει την επισκευασμένη συσκευή ή θα εγκαταστήσει τη συσκευή αντικατάστασης, αν χρειάζεται.

Αυτοί οι περιορισμοί δεν ισχύουν σε περίπτωση εργασιών, χωρίς τεχνικό πρόβλημα, από εξουσιοδοτημένο ειδικό, ο οποίος χρησιμοποιεί δικά μας γνήσια ανταλλακτικά για να προσαρμόσει τη συσκευή στις τεχνικές προδιαγραφές ασφάλειας άλλης χώρας της ΕΕ.

Πώς εφαρμόζεται η εθνική νομοθεσία

Η εγγύηση IKEA σάς προσφέρει συγκεκριμένα νόμιμα δικαιώματα που καλύπτουν ή υπερκαλύπτουν τις τοπικές νομικές απαιτήσεις. Ωστόσο αυτές οι προϋποθέσεις δεν περιορίζουν με κανένα τρόπο τα δικαιώματα του καταναλωτή που περιγράφηκαν στην τοπική νομοθεσία.

Περιοχή ισχύος

Για συσκευές που αγοράστηκαν σε μια χώρα της ΕΕ, και μεταφέρθηκαν σε άλλη χώρα της ΕΕ., οι υπηρεσίες θα προσφερθούν εντός του πλαισίου των όρων εγγύησης που ισχύουν στη νέα χώρα.

Η εκτέλεση των υπηρεσιών επισκευής στο πλαίσιο της εγγύησης είναι υποχρεωτική, μόνο εάν η συσκευή συμμορφώνεται και έχει εγκατασταθεί σύμφωνα με:

- τις τεχνικές προδιαγραφές της χώρας στην οποία υποβάλλεται το αίτημα για εργασίες εγγύησης,
- τις Οδηγίες συναρμολόγησης και τις Πληροφορίες ασφάλειας του εγχειριδίου χρήσης.

Αποκλειστική υπηρεσία εξυπηρέτησης μετά την πώληση για συσκευές IKEA

Παρακαλούμε μη διστάσετε να επικοινωνήσετε με την υπηρεσία εξυπηρέτησης μετά την πώληση της IKEA για να κάνετε τα εξής:

- να υποβάλετε αίτημα εργασιών στο πλαίσιο της εγγύησης,
- να ζητήσετε διευκρινίσεις για την εγκατάσταση της συσκευής IKEA στο έπιπλο κουζίνας IKEA.
- να ζητήσετε διευκρινίσεις σχετικά με τις λειτουργίες των συσκευών IKEA.

Για να διασφαλιστεί η παροχή βέλτιστης υποστήριξης, διαβάστε προσεκτικά τις Οδηγίες συναρμολόγησης ή/και το Εγχειρίδιο χρήσης πριν επικοινωνήσετε μαζί μας.

Πώς να επικοινωνήσετε μαζί μας αν χρειαστείτε τις υπηρεσίες μας



Στο τέλος αυτού του εγχειριδίου μπορείτε να βρείτε τους αριθμούς τηλεφώνου των παρόχων τεχνικής εξυπηρέτησης της IKEA.

- ❗ **Προκειμένου να σας προσφέρουμε ταχύτερη εξυπηρέτηση, συνιστούμε να χρησιμοποιείτε τους αριθμούς τηλεφώνου που αναγράφονται στο παρόν εγχειρίδιο. Πάντα να χρησιμοποιείτε τους αριθμούς κλήσης που αναγράφονται στο εγχειρίδιο χρήση της εκάστοτε συσκευής για την οποία χρειάζεστε βοήθεια. Μην ξεχάσετε να αναφέρετε τον 8ψήφιο κωδικό προϊόντος και τον 22ψήφιο σειριακό αριθμό που αναγράφονται στην πινακίδα τύπου της συσκευής σας.**

❗ ΦΥΛΑΞΤΕ ΤΗΝ ΑΠΟΔΕΙΞΗ ΑΓΟΡΑΣ!

Αποτελεί αποδεικτικό αγοράς και είναι απαραίτητη ώστε να ισχύει η εγγύηση. Η απόδειξη αγοράς αναγράφει, επίσης, την ονομασία IKEA και τον αριθμό προϊόντος (8ψήφιος κωδικός) για κάθε μία από τις συσκευές που αγοράσατε.

Χρειάζεστε περισσότερη βοήθεια;

Για οποιαδήποτε περαιτέρω απορία που δεν σχετίζεται με την Υποστήριξη των συσκευών σας, επικοινωνήστε με το τηλεφωνικό κέντρο του πλησιέστερου καταστήματος IKEA. Συνιστάται να διαβάσετε προσεκτικά το εγχειρίδιο της συσκευής πριν επικοινωνήσετε μαζί μας.

Πληροφορίες ανταλλακτικών

- Τα ακόλουθα ανταλλακτικά: θερμοστάτες, αισθητήρες θερμοκρασίας, πλακέτες τυπωμένων κυκλωμάτων και πηγές φωτός, θα είναι διαθέσιμα σε επαγγελματίες τεχνικούς για ελάχιστη περίοδο επτά ετών, μετά τη διάθεση της τελευταίας μονάδας του μοντέλου στην αγορά.
- Τα ακόλουθα ανταλλακτικά: λαβές πόρτας, μεντεσέδες πόρτας, δίσκοι και καλάθια θα είναι διαθέσιμα σε επαγγελματίες τεχνικούς και τελικούς χρήστες για ελάχιστη περίοδο επτά ετών, ενώ τα λάστιχα πόρτας για ελάχιστη περίοδο 10 ετών, μετά τη διάθεση της τελευταίας μονάδας του μοντέλου στην αγορά.

Τα ανταλλακτικά μπορείτε να τα βρείτε: www.ikea.com

Inhoud

Veiligheidsinformatie	134	Dagelijks gebruik	140
Veiligheidsinstructies	135	Schoonmaken en onderhoud.....	140
Installatie.....	137	Probleemoplossing.....	141
Eerste gebruik	138	Technische informatie	143
Productbeschrijving.....	139	Milieu.....	143
Bediening.....	139	IKEA garantie	144

Veiligheidsinformatie

Lees voor de installatie en het gebruik van het apparaat de meegeleverde instructies zorgvuldig door. De fabrikant is niet verantwoordelijk als onjuiste installatie of verkeerd gebruik verwondingen en schade veroorzaken. Bewaar de instructies altijd bij het apparaat om ze in de toekomst te kunnen raadplegen.

Veiligheid van kinderen en kwetsbare mensen



WAARSCHUWING: Risico op brand / Ontvlambare materialen

- Dit apparaat kan worden gebruikt door kinderen van 8 jaar en ouder en door personen met beperkte fysieke, zintuiglijke of mentale vermogens of met een gebrek aan kennis en ervaring indien zij onder toezicht staan of aanwijzingen krijgen over het veilige gebruik van het apparaat en zij de gevaren die hiermee zijn gemoeid begrijpen. Kinderen mogen niet met het apparaat spelen. Kinderen mogen niet zonder toezicht het apparaat reinigen of er gebruikersonderhoud aan uitvoeren. Kinderen moeten onder toezicht staan om ervoor te zorgen dat ze niet met het apparaat spelen.
- Dit apparaat kan worden gebruikt door kinderen met een leeftijd tussen 3 en 8 jaar en personen met zeer uitgebreide en gecompliceerde beperkingen, als zij juist zijn geïnstrueerd.
- Kinderen met een leeftijd van minder dan 3 jaar moeten uit de buurt worden gehouden, tenzij ze onder constant toezicht staan.

- Laat kinderen niet met het apparaat spelen.
- Kinderen mogen niet zonder toezicht reiniging en gebruikersonderhoud aan het apparaat uitvoeren.
- Kinderen met een leeftijd van 3 tot 8 jaar mogen zaken uit koelkast halen en erin zetten.
- Houd alle verpakkingsmaterialen buiten het bereik van kinderen en voer deze op de juiste wijze af.

Algemene veiligheid

- Het apparaat is uitsluitend bestemd voor huishoudelijke en vergelijkbare toepassingen, zoals:
 - personeelskeukens in winkels, kantoren en andere werkomgevingen,
 - boerderijen en door klanten in hotels, motels en andere residentiële omgevingen;
 - bed & breakfast-achtige omgevingen;
 - catering en vergelijkbare niet-detailhandelstoepassingen.
- **WAARSCHUWING:** Houd ventilatieopeningen in de behuizing van het apparaat of de inbouwkast vrij van belemmeringen.
- **WAARSCHUWING:** Gebruik geen mechanische apparaten of andere middelen om het ontdooien te versnellen, anders dan door de fabrikant worden aanbevolen.
- **WAARSCHUWING:** Beschadig het koelcircuit niet.

- **WAARSCHUWING:** Gebruik geen elektrische apparaten in de vakken van het apparaat die bestemd zijn voor het bewaren van levensmiddelen, tenzij deze van een type zijn dat door de fabrikant wordt aanbevolen.
- **WAARSCHUWING:** Gebruik geen waterstralen en stoom om het apparaat te reinigen.
- **WAARSCHUWING:** Reinig het apparaat met een zachte, vochtige doek. Gebruik uitsluitend neutrale schoonmaakmiddelen. Gebruik geen schurende producten, schuursponsjes, oplosmiddelen of metalen voorwerpen.
- **WAARSCHUWING:** Bewaar geen explosieve stoffen, zoals spuitbussen met brandbare drijfgassen, in dit apparaat.
- **WAARSCHUWING:** Als het netsnoer is beschadigd dient het ter voorkoming van gevaar door de fabrikant, de dealer of een vergelijkbaar bevoegde persoon te worden vervangen.
- **WAARSCHUWING:** Verzeker bij het plaatsen van het apparaat, dat het netsnoer niet beklemd of beschadigd raakt.
- **WAARSCHUWING:** Plaats geen verlengsnoeren of draagbare voedingen aan de achterkant van het apparaat.
- Het gedurende langer tijd openen van de deur kan een aanzienlijke toename van de temperatuur in de vakken van het apparaat veroorzaken.
- Reinig oppervlakken die in contact kunnen komen met levensmiddelen en toegankelijke afvoersystemen regelmatig.
- Reinig waterreservoirs als deze gedurende 48 uur niet zijn gebruikt; spoel het op een watertoevoer aangesloten watersysteem als er gedurende 5 dagen geen water is gebruikt.
- Bewaar rauw vlees en rauwe vis in geschikte containers in de koelkast, zodat deze niet in contact komen met, of druipen op andere levensmiddelen.
- Als de koelkast is gedurende langer tijd leeg blijft, schakel hem dan uit, ontdooi, reinig en droog hem en laat de deur open om te voorkomen dat er zich schimmel ontwikkelt in het apparaat.
- Deze koelkast is niet geschikt voor het invriezen van levensmiddelen.
- Deze koelkast is niet bestemd om als inbouwapparaat te worden gebruikt.
- Tweesterren vriesvakken zijn geschikt voor het bewaren van vooraf ingevroren levensmiddelen, het bewaren van of het maken van ijs en ijsblokjes.
- Een-, twee- en driesteren vakken zijn niet geschikt voor het invriezen van verse levensmiddelen.
- **WAARSCHUWING:** Ter voorkoming van gevaar vanwege instabiliteit van het apparaat, moet het in overeenstemming met de instructies worden gerepareerd.

Veiligheidsinstructies

Installatie

⚠ WAARSCHUWING! Dit apparaat mag uitsluitend door een gekwalificeerde persoon worden geïnstalleerd.

- Verwijder alle verpakkingsmaterialen.
- Installeer of gebruik een beschadigd apparaat niet.
- Volg de bij het apparaat geleverde installatie-instructies.
- Wees altijd voorzichtig bij het verplaatsen van het apparaat, omdat het zwaar is. Gebruik altijd veiligheidshandschoenen en gesloten schoeisel.
- Wees voorzichtig om de vloer (parket bijv.) niet te beschadigen bij het verplaatsen van het apparaat.
- Zorg er voor dat het apparaat niet vlak bij een verwarmingsbron staat.
- Installeer het apparaat en plaats het waterpas op een voldoende sterke vloer die het gewicht kan dragen, en op een plaats, aangepast aan de grootte en het gebruik ervan.
- Zorg ervoor dat de lucht rondom het apparaat kan circuleren.
- Wacht bij de eerste installatie ten minste 4 uur voordat u het apparaat aansluit op de stroomvoorziening. Dit zorgt ervoor dat de olie terug kan vloeien naar de compressor.
- Haal de stekker uit het stopcontact, voordat u enige handelingen uitvoert aan het apparaat (bijv. omdraaien van de deur).

- De achterkant van het apparaat moet tegen de muur staan.
- Installeer het apparaat niet in direct zonlicht.
- Installeer het apparaat niet in ruimtes die te vochtig of te koud zijn, zoals in wijnkelders.

Elektrische aansluiting

⚠ WAARSCHUWING! Risico op brand en elektrische schokken.

⚠ WAARSCHUWING! Verzeker bij het plaatsen van het apparaat, dat het netsnoer niet beklemd of beschadigd raakt.

⚠ WAARSCHUWING! Gebruik geen verdeelstekkers of verlengsnoeren.

- Het apparaat moet worden geaard.
- Zorg ervoor dat de parameters op het typeplaatje overeenkomen met de elektrische waarden van het lichtnet.
- Gebruik altijd een goed geïnstalleerd, schokbestendig stopcontact.
- Zorg ervoor om de elektrische componenten (bijv. netstekker, netsnoer, compressor) niet te beschadigen. Neem voor het vervangen van de elektrische onderdelen contact op met het bevoegde servicecentrum of een elektricien.
- Het netsnoer moet zich onder het niveau van de netstekker bevinden.
- Steek de netstekker pas na het voltooien van de installatie in het stopcontact. Zorg ervoor dat de netstekker na de installatie bereikbaar is.
- Trek niet aan het netsnoer om de stekker van het apparaat uit het stopcontact te halen. Haal altijd de netstekker uit het stopcontact.
- Alleen VK en Ierland:
Dit apparaat is voorzien van een netzekering van 13 A. Als het nodig is om de zekering van de netstekker te vervangen, gebruik dan alleen een 13 A ASTA (BS 1362)-zekering.

Gebruik

⚠ WAARSCHUWING! Risico op letsel, brandwonden, elektrische schokken of brand.



De buizen van het koelcircuit bevatten een kleine hoeveelheid van het milieuvriendelijke maar ontvlambare koelmiddel R600a. Het beschadigt de ozonlaag niet en versterkt het broeikas effect niet. Als er koelmiddel ontsnapt, kan dat uw ogen verwonden of het kan ontbranden. Beschadig de buizen niet.

- Het oppervlak van de compressor kan bij normaal gebruik heet worden. Raak het niet aan met uw handen.
- Wijzig de specificaties van dit apparaat niet.

- Plaats geen elektrische apparaten (bijv. ijsmakers) in het apparaat tenzij de fabrikant heeft aangegeven dat zij hiervoor geschikt zijn.
- Als er schade aan het koelcircuit ontstaat, zorg er dan voor dat er geen vlammen of ontstekingsbronnen in de ruimte aanwezig zijn. Ventileer de ruimte.
- Laat hete voorwerpen niet in aanraking komen met de kunststof onderdelen van het apparaat.
- Bewaar geen dranken in flessen in het vriesvak om het barsten daarvan of andere wijzen van weglekken te voorkomen.
- Bewaar geen brandbare gassen en vloeistoffen in het apparaat.
- Plaats geen brandbare producten, of artikelen waarop zich brandbare producten bevinden, in, op of in de buurt van het apparaat.
- Raak de compressor of de condensator niet aan. Ze zijn heet.
- Geen artikelen uit het vriesvak verwijderen of aanraken met natte of vochtige handen.
- Slik de (niet-giftige) inhoud van de koelelementen niet door.
- Eet geen ijsblokjes of ijslolly's onmiddellijk nadat u ze uit de vriezer hebt gehaald: ze kunnen koude brandwonden veroorzaken.
- Ontdooide levensmiddelen mogen niet terug worden gezet in het vriesvak.
- Volg de bewaarinstructies op de verpakking van bevroren levensmiddelen.

Binnenverlichting

⚠ WAARSCHUWING! Risico op elektrische schokken.

- De in het apparaat gebruikte lamp is specifiek ontworpen voor huishoudelijke apparaten en is niet geschikt voor algemene kamerverlichting in huis ((EU) 2019/2020).

Reiniging en onderhoud

⚠ WAARSCHUWING! Risico op letsel of schade aan het apparaat.

- Schakel voor het onderhoud het apparaat uit en haal de netstekker uit het stopcontact.
- De koeleenheid van dit apparaat bevat koolwaterstof. Het onderhoud en bijvullen van de eenheid mag uitsluitend door een bevoegde persoon worden uitgevoerd.
- Controleer de afvoer van het apparaat regelmatig en reinig hem indien nodig. Als de afvoer is verstopt, dan verzamelt er zich dooiwater op de bodem van het apparaat.

Service

- Neem contact op met een bevoegd servicecentrum dat aan het einde van deze gebruiksaanwijzing is vermeld, om het apparaat te repareren.
- Gebruik uitsluitend originele reserveonderdelen.

Afvoer

⚠ WAARSCHUWING! Risico op letsel of verstikking.

- Haal de stekker van het apparaat uit het stopcontact.
- Snijd het netsnoer door en gooi het weg.

- Verwijder de deur om te voorkomen dat kinderen en huisdieren in het apparaat opgesloten kunnen raken.
- Het koelcircuit en de isolatiematerialen van dit apparaat zijn ozonvriendelijk.
- Het isolatieschuim bevat brandbaar gas. Neem contact op met uw gemeentebestuur voor informatie over het op de juiste wijze afvoeren van het apparaat.
- Beschadig het deel van de koeleenheid dat zich in de buurt van de warmtewisselaar bevindt, niet.

De fabrikant wijst elke aansprakelijkheid af voor letsels aan personen of dieren, of schade aan eigendommen als bovenstaande adviezen en voorzorgsmaatregelen niet worden opgevolgd.

Installatie

⚠ WAARSCHUWING! Lees de veiligheidsinformatie in dit boekje zorgvuldig door voordat u het apparaat installeert.

Checklist installatie

Deur

- De deur sluit aan alle kanten volledig aan op de kast
- De deur is waterpas

Waterpas plaatsen

- Koelkast staat waterpas

Elektrische stroomvoorziening

- Wacht 4 uur
- Stroomvoorziening thuis ingeschakeld
- Stekker van koelkast in het stopcontact

Laatste controles

- Het verpakkingsmateriaal is verwijderd
- Koeltemperatuur ingesteld

Plaatsing

- Volg de afzonderlijke montagehandleiding om dit apparaat te installeren.
- Installeer dit apparaat op een locatie waar de omgevingstemperatuur overeenkomt met de klimaatklasse die staat aangegeven op het typeplaatje van het apparaat. Dat garandeert een correcte werking van het apparaat. De uitleg van de klimaatklassen is als volgt:

Klimaatklasse	Omgevingstemperatuurbereik
SN	+10 °C tot +32 °C
N	+16 °C tot +32 °C
ST	+16 °C tot +38 °C
T	+16 °C tot +43 °C

- "SN" geeft aan dat deze koelkast is bestemd om te worden gebruikt bij omgevingstemperaturen binnen een bereik van 10 °C tot 32 °C.
- "N" geeft aan dat deze koelkast is bestemd om te worden gebruikt bij omgevingstemperaturen binnen een bereik van 16 °C tot 32 °C.
- "ST" geeft aan dat deze koelkast is bestemd om te worden gebruikt bij omgevingstemperaturen binnen een bereik van 16 °C tot 38 °C.
- "T" geeft aan dat deze koelkast is bestemd om te worden gebruikt bij omgevingstemperaturen binnen een bereik van 16 °C tot 43 °C.

i Bij bepaalde modellen apparaten kunnen functionele problemen optreden wanneer ze buiten de gespecificeerde temperatuurbereiken in bedrijf zijn. De goede werking kan alleen binnen de opgegeven temperatuursbereiken worden gegarandeerd.

Als u twijfels hebt met betrekking tot de installatie, neem dan contact op met de leverancier, onze klantenservice of met het dichtstbijzijnde bevoegde servicecentrum.

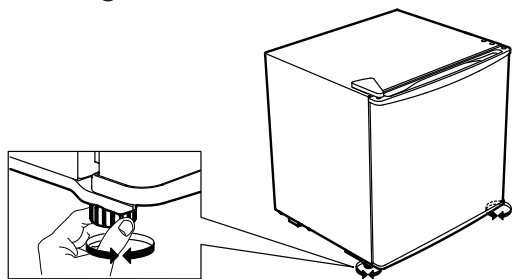
Locatie

Installeer voor de beste prestaties het apparaat uit de buurt van warmtebronnen, zoals radiators, boilers en direct zonlicht. Zorg ervoor dat de lucht vrij om de achterkant van de kast kan circuleren.

Het apparaat waterpas stellen

Als het apparaat enigszins overhelt, stel dan de twee voetjes aan de voorkant van het apparaat bij om het apparaat waterpas te zetten. Raadpleeg de aparte montage-instructies voor gedetailleerde installatie.

1. Haal de lichtnetstekker van het apparaat uit het stopcontact.
2. Draai de voetje met de klok mee om het apparaat hoger in te stellen. Draai de voetje linksom om het apparaat lager te stellen.



Het apparaat schoonmaken

Voordat u het apparaat voor de eerste keer gebruikt, dient u het apparaat schoon te maken om de typische geur van een gloednieuw product te elimineren.

1. Haal de stekker van het apparaat uit het stopcontact.
2. Veeg de binnenkant schoon met een zachte, vochtige doek.
3. Was de interne accessoires in lauwwater met wat neutrale zeep en maak vervolgens goed droog.

OPGELET!

Gebruik geen schurende, chloorhoudende of zure schoonmaak- of oplosmiddelen.

- Gebruik geen schuursponsjes. De metalen oppervlakken kunnen corroderen.
- Reinig de accessoires nooit in een vaatwasser. Deze kunnen anders vervormd raken.

Elektrische aansluiting

⚠ OPGELET! Alle elektrische werkzaamheden die zijn vereist voor de installatie van dit apparaat, moeten worden uitgevoerd door een gekwalificeerde elektricien of een bevoegde persoon.

⚠ WAARSCHUWING! Dit apparaat moet worden geaard. Het nalaten om deze aanwijzingen op te volgen kan leiden tot de dood, brand of elektrische schokken.

De fabrikant wijst alle aansprakelijkheid af als deze veiligheidsmaatregelen niet in acht worden genomen. Dit apparaat voldoet aan de EEG-richtlijnen.

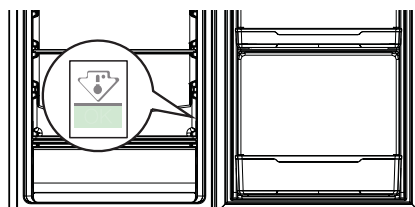
Eerste gebruik

Steek de stekker van het apparaat in het stopcontact. De ideale temperaturen voor het bewaren van voedsel zijn vanaf de fabriek ingesteld (gemiddeld).

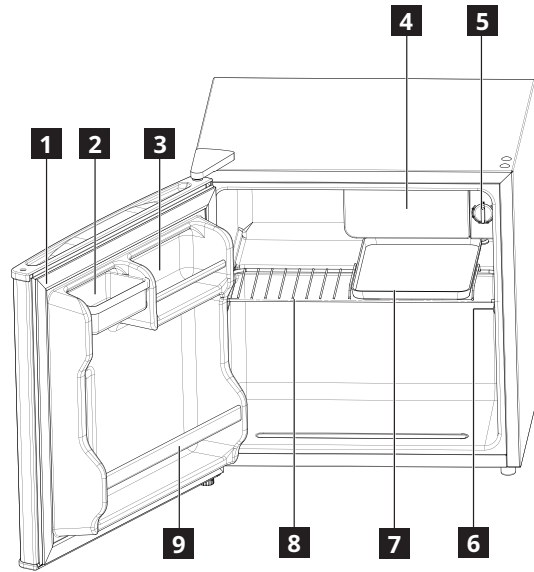
Opmerking: Na inschakelen heeft het apparaat 4-5 uur nodig om de juiste temperatuur te bereiken om een gebruikelijke hoeveelheid voedsel op te slaan.

Belangrijk!

In overeenstemming met voorschriften in sommige landen, moet deze voorzien zijn van een speciaal apparaat (zie de onderstaande afbeelding), dat in het onderste koelvak van het apparaat wordt geplaatst om de koudste zone hiervan aan te geven.

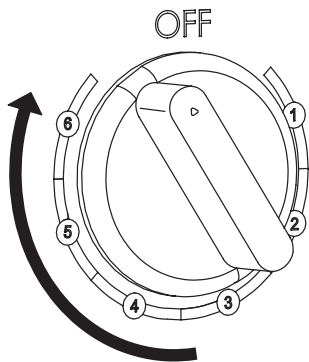


Productbeschrijving



- | | |
|------------------------------|------------------------------|
| 1 Doorrubber | 5 Thermostaat |
| 2 Opslagvak | 6 Typeplaatje |
| 3 Houder voor blikken | 7 Lekbak |
| 4 Koelvak | 8 Schap |
| | 9 Houder voor flessen |

Bediening



Pas de temperatuurinstelling aan door te onthouden dat de temperatuur in het apparaat afhankelijk is van:

- kamertemperatuur
- hoe vaak de deur wordt geopend
- de bewaarde hoeveelheid levensmiddelen
- de plaats van het apparaat.

Belangrijk! Als de omgevingstemperatuur hoog is of het apparaat vol is en het apparaat op de laagste temperatuur is ingesteld, kan het zijn dat het apparaat constant blijft draaien, wat ijsafzetting op de achterwand veroorzaakt. In dit geval moet er een hogere temperatuur worden ingesteld om automatisch ontdooien, en daarom een lager energieverbruik, toe te staan.

Tips:

- Hoe lager de temperatuur, des te langer u uw voedsel veilig kunt bewaren en hoe meer elektriciteit het apparaat verbruikt.
- Hoe hoger de temperatuur, des te sneller uw opgeslagen voedsel bederft en hoe minder elektriciteit het apparaat verbruikt.

Uitschakelen

Schakel het apparaat uit door de thermostaatknop naar de stand "OFF" te draaien en haal vervolgens de stekker uit het stopcontact.

Inschakelen

Steek de stekker in het stopcontact en pas de temperatuur aan. Het apparaat schakelt in en begint te werken.

De temperatuur aanpassen

De temperatuur wordt automatisch geregeld. De temperatuur aanpassen:

- Draai de thermostaat naar een lagere instellingen om de koudheid te verlagen.
- Draai de thermostaat naar een hogere instellingen om de koudheid te verhogen.

i In de meeste gevallen is een middelmatige instelling het meest geschikt.

Dagelijks gebruik

Tips voor het koelen van verse levensmiddelen

- Bedek of verpak de levensmiddelen, vooral als deze een sterk aroma hebben.
- Plaats de levensmiddelen zodat de lucht er vrij omheen kan circuleren.
- Laat voor de beste prestaties genoeg ruimte in het koelvak, zodat de lucht rondom de pakketjes kan circuleren. Laat ook genoeg ruimte vrij aan de voorkant, zodat de deur goed kan sluiten.
- Bewaar geen warme levensmiddelen of verdampende vloeistoffen in de koelkast;
- Gekookte levensmiddelen en koude gerechten: afdekken en op een willekeurig schap plaatsen.
- Groenten en fruit: grondig reinigen en in de groentenlade plaatsen. Bananen, aardappelen, uien en knoflook moeten niet onverpakt in de koelkast worden bewaard.
- Boter en kaas: doe deze in een speciale luchtdichte container of verpak ze in aluminiumfolie of een polyetheen zak om zo veel mogelijk lucht buiten te sluiten.
- Flessen: afsluiten met doppen en in de deurvakken plaatsen.
- Volg de installatie-aanwijzingen om een voldoende ventilatie te garanderen.
- Onvoldoende ventilatie aan de achterzijde van het product doet het energieverbruik toenemen, en verlaagt het koelrendement.
- De inwendige temperaturen van het apparaat kunnen worden beïnvloed door de omgevingstemperatuur, hoe vaak de deur geopend wordt, en de plaats van het apparaat. De temperatuurinstelling moet rekening houden met deze factoren.
- Laat warm voedsel en dranken afkoelen voor u ze in het apparaat zet.
- Blokkeer de ventilator (indien aanwezig) niet met voedingswaren.
- Let er op dat u na het plaatsen of uitnemen van voedsel de deur goed sluit, vooral de vriezedeur.
- Beperk het openen van de deur tot een minimum.
- Plaats bevroren voedsel om haar te ontdooien in de koelkast. De lage temperatuur van het bevroren voedsel koelt het voedsel in de koelkast.
- Het positioneren van de schappen in de koelkast heeft geen invloed op het energieverbruik. Het voedsel moet zodanig op de schappen worden geplaatst dat een goede luchtcirculatie verzekerd is (het voedsel mag elkaar niet raken, en er moet afstand worden aangehouden tussen het voedsel en de achterwand).
- Beschadigde pakkingen moeten zo snel mogelijk worden vervangen.

Energiebesparende tips

- Installeer het apparaat op een droge, goed geventileerde plaats, ver verwijderd van hittebronnen (bijv. radiator, kookfornuis, enz.) en op een plaats, niet rechtstreeks blootgesteld aan de zon. Gebruik indien nodig een isolatieplaat.

Schoonmaken en onderhoud

Algemene tips

- Reinig het apparaat regelmatig met een doek en een oplossing van warm water en een neutraal schoonmaakmiddel dat speciaal is samengesteld voor het interieur van koelkasten. Gebruik geen schurende reinigingsmiddelen- of gereedschappen.
- Koppel het apparaat voordat u er onderhoud uitvoert aan het apparaat of het schoonmaakt, los van de netspanning of schakel de voedingsbron uit.

OPGELET! De accessoires van de koelkast mogen niet in de vaatwasser.

Het apparaat ontdooien

- Ontdooi het apparaat zodra de rijplaag op het oppervlak van de verdamper 3 tot 4 mm dik is geworden.
- Verwijder vóór het ontdooien al het voedsel en schakel het apparaat uit. Plaats de ontdooibak onder de verdamper om het smeltwater op te vangen.

- Nadat alle rijp is gesmolten, giet u het smeltwater weg, droogt u de binnenkant van het apparaat af met een droge doek en schakelt u het apparaat weer in.

Als u het apparaat langere tijd niet gebruikt

1. Schakel het apparaat uit.
2. Haal de stekker van het apparaat uit het stopcontact.
3. Verwijder alle levensmiddelen.
4. Ontdooi en reinig het apparaat.
5. Laat de deuren net genoeg open om lucht in de compartimenten te laten circuleren. Dit voorkomt de vorming van schimmels en onaangename geuren.

In het geval van een stroomonderbreking

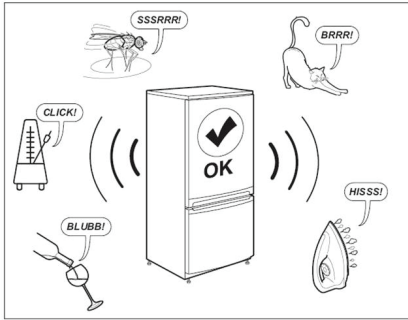
- Laat de deuren van het apparaat gesloten. Hierdoor blijft het voedsel zo lang mogelijk koud.

Probleemoplossing

Probleem	Mogelijke oorzaak	Oplossing
Het apparaat werkt niet.	Het apparaat is uitgeschakeld.	Schakel het apparaat. in.
	De netstekker zit niet goed in het stopcontact.	Steek de netstekker goed in het stopcontact.
	Er staat geen spanning op het stopcontact.	Om te controleren of er stroom op het stopcontact staat, sluit u er een ander elektrisch apparaat op aan. Neem contact op met een gekwalificeerde elektricien om het stopcontact te repareren.
Het apparaat maakt lawaai.	Het apparaat is niet stabiel geplaatst.	Het apparaat waterpas stellen. Raadpleeg hoofdstuk "Het apparaat waterpas stellen" of de afzonderlijke montagehandleiding.
De compressor draait continu.	De ingestelde kamertemperatuur is te hoog.	Een hogere/lagere temperatuur instellen. Zie "Bediening".
	Er werden gelijktijdig veel levensmiddelen geplaatst.	Wacht een paar uur en controleer dan de temperatuur opnieuw.
	De kamertemperatuur is te hoog.	Verplaats het apparaat indien mogelijk. Zie "Plaatsing".
	De in het apparaat geplaatste levensmiddelen waren te warm.	Laat de levensmiddelen voor het bewaren afkoelen tot kamertemperatuur.
	De deur is niet goed gesloten.	Zie "Het sluiten van de deur".
De temperatuur in het apparaat is te laag/te hoog.	De temperatuur is niet juist ingesteld.	Stel een hogere/lagere temperatuur in.
	De deur is niet goed gesloten.	Zie "Het sluiten van de deur".
	De in het apparaat geplaatste levensmiddelen waren te warm.	Laat de levensmiddelen voor het bewaren afkoelen tot kamertemperatuur.
	Er werden gelijktijdig veel levensmiddelen geplaatst.	Plaats minder levensmiddelen gelijktijdig.
	De dikte van de ijsafzetting bedraagt meer dan 4-5 mm.	Ontdooi het apparaat.
	De deur is te vaak geopend.	Open de deur alleen als dit noodzakelijk is.
	Er is onvoldoende koude-luchtcirculatie in het apparaat.	Verplaats de levensmiddelen zodat de lucht er vrij omheen kan circuleren.
De deur sluit niet volledig.	Zie "Het sluiten van de deur".	Zie "Het sluiten van de deur".

Normale geluiden

Het is normaal dat het koelsysteem niet helemaal stil is; gorgel- en sissgeluiden zijn mogelijk.



Het sluiten van de deur

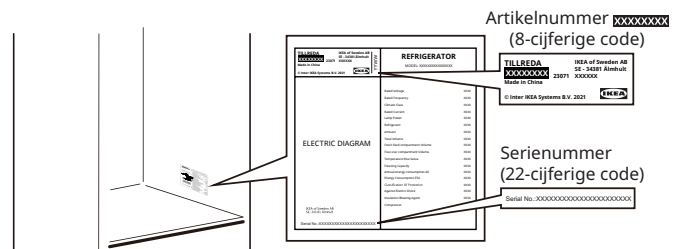
Indien	Doen
De deurafdichtrubbers zijn vuil.	Maak ze schoon.
De deurafdichtrubbers zijn beschadigd.	Neem contact op met de klantendienst om ze te vervangen.
De deur wordt geblokkeerd door planken, laden, voedsel enz.	Plaats de voorwerpen die de deur blokkeren op de juiste manier of verwijder ze.
Het apparaat staat niet waterpas.	Het apparaat waterpas stellen. Raadpleeg hoofdstuk "Het apparaat waterpas stellen" of de afzonderlijke montagehandleiding.
De deur is niet goed uitgelijnd met de kast zelf.	Verstel de deur. Raadpleeg de afzonderlijke montagehandleiding.

Voordat u contact opneemt met de Klantendienst:

start het apparaat opnieuw op om te zien of het probleem opgelost is. Schakel indien het probleem blijft bestaan het apparaat weer uit, en probeer het nog eens opnieuw na een uur.

Neem indien uw apparaat nog steeds niet werkt nadat de controles zijn uitgevoerd uit de probleemoplossingsgids en weer inschakelen van het apparaat, contact op met de naverkoopdienst; leg het probleem duidelijk uit, en specificeer:

- de aard van het probleem
 - de aankoopdatum
 - het model en serienummer van het apparaat
- ⓘ Het artikelnummer en het serienummer bevinden zich op het typeplaatje aan de rechterkant binnenin het apparaat.



Afbeelding uitsluitend ter referentie


Technische informatie

Productcategorie	
Producttype	Koelkast
Installatietype	Vrijstaand
Afmetingen van het product	
Hoogte	492 mm
Breedte	472 mm
Diepte	450 mm
Netto volume	
Koelgedeelte	43,0 L
Ontdooisysteem	
Koelgedeelte	Handmatig
Andere specificaties	
Sterrenaanduiding	-
Temperatuurstijgtijd	-
Energieverbruik	80 kWh/jaar
Geluidsniveau	41 dB(A)
Energieklasse	E
Nominale spanning	220 - 240 V~
Nominale frequentie	50 Hz
Lichtbron van energie-efficiëntieklasse	-

Opmerking: Informatie over het product in de productdatabase kunt u opvragen door de QR-code op het EPREL-label te scannen.

Milieu

1. Verpakkingsmaterialen

Recycleerbare materialen zijn aangeduid met het symbool .


Doe de verpakkingsmaterialen in de relevante containers om deze te recyclen.

Houd de verpakkingsmaterialen (plastic zakken, polystyreen onderdelen, enz.) buiten bereik van kinderen, omdat ze een mogelijke bron van gevaar zijn.

2. Slopen/Afvoer

Het apparaat is gebouwd met gebruik van recycleerbaar materiaal.

Dit apparaat is gemarkeerd in overeenstemming met de Europese richtlijn 2002/96/EG betreffende afgedankte elektrische en elektronische apparatuur (AEEA). Door ervoor te zorgen dat dit apparaat op de juiste manier wordt afgevoerd, kunt u mogelijk negatieve gevolgen voor het milieu en de volksgezondheid helpen voorkomen.

Het symbool  op het apparaat of op de

bijgevoegde documenten geeft aan dat dit apparaat niet als huisvuil mag worden behandeld, maar moet worden ingeleverd bij een speciaal inzamelpunt voor het recyclen van elektrische en elektronische uitrustingen. Maak het apparaat als u het buiten gebruik stelt onbruikbaar door het netsnoer door te knippen en de deuren en schappen te verwijderen, zodat kinderen er niet gemakkelijk in kunnen klimmen en bekneld raken.

Voer het apparaat af volgens de plaatselijke voorschriften voor afvalverwerking, en breng het naar een speciaal inzamelpunt; laat het zelfs niet enkele dagen onbeheerd achter, aangezien het een potentiële bron van gevaar is voor kinderen. Neem voor meer informatie over de behandeling, het terugwinnen en het recyclen van dit product contact op met uw bevoegde plaatselijke kantoor, de ophaaldienst voor huishoudelijk afval of de winkel waar u het apparaat hebt gekocht.

Conformiteitsverklaring

- Dit apparaat is ontworpen voor het conserveren van voedsel en is vervaardigd in overeenstemming met Verordening (EG) Nr. 1935/2004.



- Dit apparaat is ontworpen, geproduceerd en verkocht in overeenstemming met:
 - de veiligheidsobjectieven van de "Laagspanningsrichtlijn" 2014/35/EU (die 2006/95/CE en latere amendementen vervangt);

- de beschermingseisen van Richtlijn "EMC" 2014/30/EU.
- Dit apparaat is ontworpen, geproduceerd en verkocht in overeenstemming met:
 - Richtlijnen Elektromagnetische Compatibiliteit 2016
 - (Veiligheids) Richtlijnen Elektrische Apparatuur 2016



IKEA garantie

Hoe lang is de IKEA garantie geldig?

Deze garantie is **2 jaar** geldig vanaf de aankoopdatum, tenzij anders vastgesteld in nationale wetgeving. In Noorwegen, Portugal en Spanje is de garantie 3 jaar geldig vanaf de leveringsdatum aan de klant, tenzij anders vastgesteld in nationale wetgeving. Uw originele kassabon is vereist. Als er tijdens de garantieperiode reparaties worden uitgevoerd, wordt de garantieperiode van het apparaat niet verlengd.

Wie voert de reparaties uit?

De servicepartner van IKEA verleent de service via zijn eigen servicewerkzaamheden of zijn bevoegde netwerk van servicepartners.

Wat valt er onder de garantie?

De garantie dekt storingen van het apparaat, die zijn veroorzaakt door verkeerde constructie of materiaalfouten vanaf de aankoopdatum bij IKEA. Deze garantie is uitsluitend van toepassing bij huishoudelijk gebruik. De uitzonderingen worden gespecificeerd onder het kopje "Wat valt er niet onder door deze garantie?". Binnen de garantieperiode worden de kosten om de storing te verhelpen vergoed, d.w.z. reparaties, onderdelen, arbeidsloon en transport, op voorwaarde dat het apparaat zonder speciale uitgaven toegankelijk voor reparaties. De EU-richtlijnen (Nr.99/44/EG) en de respectieve lokale voorschriften zijn van toepassing op deze voorwaarden. Vervangen onderdelen worden eigendom van IKEA.

Wat doet IKEA om het probleem op te lossen?

De door IKEA aangeduide serviceprovider onderzoekt het product en beslist, naar zijn eigen oordeel, of het door deze garantie wordt gedekt. Als het als gedekt wordt beschouwd, herstelt de servicepartner van IKEA of zijn geautoriseerde servicepartner, via zijn servicewerkzaamheden en naar zijn eigen oordeel, het defecte product of vervangt het dat door eenzelfde of een vergelijkbaar product.

Wat valt er niet onder deze garantie?

- Normale slijtage.
- Opzettelijke schade of schade door verwaarlozing, schade veroorzaakt door het niet opvolgen van de gebruiksaanwijzing, foutieve installatie of aansluiting op een verkeerd voltage, schade veroorzaakt door chemische of elektrochemische reactie, roest, corrosie of waterschade, schade veroorzaakt door overmatig kalkgehalte van de watertoevoer, schade veroorzaakt door abnormale omgevingsomstandigheden.
- Verbruiksonderdelen, inclusief batterijen en lampjes.
- Niet-functionele en decoratieve onderdelen die niet van invloed zijn op het normale gebruik van het apparaat, inclusief eventuele krassen en mogelijke kleurverschillen.
- Onvoorzien schade veroorzaakt door vreemde voorwerpen of stoffen en het reinigen of deblokken van filters, afvoersystemen of wasmiddellades.
- Schade aan de volgende onderdelen: glaskeramiek, accessoires, servieskorven en bestekmandjes, aanvoer- en afvoerpijpen, afdichtingen, lampen en lampenkapjes, schermen, knoppen, behuizingen en gedeeltes van behuizingen. Tenzij bewezen is dat de schade te wijten is aan een productiefout.
- Gevallen waarin tijdens het bezoek van de monteur geen storing kon worden gevonden.
- Reparaties die niet zijn uitgevoerd door onze aangewezen servicepartners en/of een erkende contractuele servicepartner of wanneer er niet-originele onderdelen zijn gebruikt.
- Reparaties die zijn veroorzaakt door installatie die verkeerd of niet in overeenstemming met de installatie-instructies is uitgevoerd.
- Gebruik van het apparaat in een niet huishoudelijke omgeving d.w.z. professioneel gebruik.

- Transportschade. Indien een klant het product zelf naar zijn of haar woning of naar een ander adres transporteert, is IKEA niet aansprakelijk voor schade die optreedt tijdens het transport. Als het product echter door IKEA wordt afgeleverd op het door de klant aangegeven afleveradres, dan wordt schade aan het product, ontstaan tijdens deze levering, wel gedekt door IKEA.
- De installatiekosten voor het installeren van het IKEA-apparaat. Als een IKEA servicedienst of een erkende servicepartner het apparaat echter repareert of vervangt onder de voorwaarden van deze garantie, dan zal de servicedienst of de erkende servicepartner het gerepareerde of vervangende apparaat indien nodig opnieuw installeren.

Deze beperkingen zijn is niet van toepassing op probleemloos werk, uitgevoerd door een gekwalificeerde specialist, met onze originele onderdelen, om het apparaat aan te passen aan de technische veiligheidsspecificaties van een ander EU-land.

Toepasselijkheid van landelijke wetgeving

Deze IKEA garantie verleent u specifieke wettelijke rechten, welke met de lokale wetgeving, die varieert van land tot land, overeenstemmen of deze overstijgen. Deze voorwaarden beperken op geen enkele wijze de consumentenrechten die onder de plaatselijke wetgeving vallen.

Gebied van geldigheid

Voor apparaten die in een EU-lidstaat zijn aangeschaft en meegenomen worden naar een andere EU-lidstaat, wordt de dienstverlening uitgevoerd in het kader van de garantievoorwaarden die in het nieuwe land gebruikelijk zijn.

Een verplichting om diensten te verlenen in het kader van de garantie bestaat uitsluitend als het apparaat voldoet aan en is geïnstalleerd in overeenstemming met:

- De technische specificaties van het land waarin aanspraak gemaakt wordt op de garantie;
- de montage-instructies en de veiligheidsinformatie uit de gebruiksaanwijzing.

De gespecialiseerde DIENST NA VERKOOP voor IKEA-apparaten

Aarzel niet om contact op te nemen met de IKEA naverkoop-serviceprovider om:

- het indienen van een claim onder deze garantie;
- te vragen om verduidelijking rond de installatie van het IKEA-apparaat in het gespecialiseerde IKEA-keukenmeubilair;
- verduidelijking te vragen in verband met de functies van de IKEA apparaten.

Om u beter van dienst te kunnen zijn, verzoeken wij u om eerst de installatie-instructies en de gebruiksaanwijzing zorgvuldig door te lezen alvorens ons te contacteren.

Hoe u ons kunt bereiken als u hulp nodig hebt



Aan het einde van dit boekje staan de telefoonnummers van de door IKEA goedgekeurde Klantenservice.

- ① **Om u sneller van dienst te kunnen zijn bevelen we aan dat u gebruik maakt van de specifieke telefoonnummers die aan het einde van deze gebruiksaanwijzing worden vermeld. Gebruik altijd de nummers die worden vermeld in de gebruiksaanwijzing van het specifieke apparaat waarvoor u assistentie nodig hebt. Vergeet niet het 8-cijferige artikelnummer en het 22-cijferige serienummer te vermelden die op het typeplaatje van uw apparaat staan.**

- ① **BEWAAR HET AANKOOPBEWIJS!**

Dit is uw bewijs van aankoop, dat u ook nodig hebt om de geldigheid van de garantie aan te tonen. Op de kassabon is ook de IKEA naam en het artikelnummer (8 cijfers) van elk door u aangeschaft apparaat vermeld.

Hebt u extra hulp nodig?

Voor alle bijkomende vragen die geen betrekking hebben op nazorg voor uw toestellen, neemt u contact op met het callcenter van uw IKEA winkel. Wij adviseren u de documentatie die bij het apparaat wordt geleverd zorgvuldig door te lezen voordat u contact met ons opneemt.

Informatie over reserveonderdelen

- De reserveonderdelen: thermostaten, temperatuursensoren, printplaten en lichtbronnen, zullen voor professionele reparateurs gedurende een minimumperiode van zeven jaar nadat het laatste exemplaar van het model op de markt is gebracht nog beschikbaar zijn.
- De reserveonderdelen: deurhandgrepen, deurscharnieren, bakjes en mandjes zullen voor professionele reparateurs en eindgebruikers gedurende een minimumperiode van zeven jaar en deurafdichtrubbers gedurende een periode van minimaal 10 jaar, nadat het laatste exemplaar van het model op de markt is gebracht nog beschikbaar zijn.

De reserveonderdelen zijn te vinden op: www.ikea.com

Obsah

Bezpečnostní informace	146	Každodenní používání	151
Bezpečnostní pokyny.....	147	Čištění a údržba	151
Montáž	149	Řešení potíží	152
První použití.....	150	Technické údaje.....	154
Popis spotřebiče.....	150	Ekologické informace	154
Ovládání	150	Záruka IKEA.....	155

Bezpečnostní informace

Před montáží a použitím spotřebiče si pečlivě přečtěte přiložené pokyny. Výrobce není zodpovědný za zranění ani škody způsobené nesprávnou montáží nebo používáním. Pokyny uchovávejte vždy se spotřebičem pro budoucí použití.

Bezpečnost dětí a zranitelných osob



VAROVÁNÍ: Nebezpečí požáru / hořlavé materiály

- Tento spotřebič mohou používat děti od 8 let a osoby s omezenými fyzickými, smyslovými nebo duševními schopnostmi, nebo bez patřičných zkušeností a znalostí, pokud jim byl poskytnut dohled nebo pokyny týkající se použití spotřebiče bezpečným způsobem a pokud rozumí případnému nebezpečí. Děti si se spotřebičem nesmí hrát. Čištění a uživatelskou údržbu smí provádět děti pouze pod dozorem. Děti by měly být pod dozorem a je nutné zajistit., aby si se spotřebičem nehrály.
- Tento spotřebič smí používat děti od 3 do 8 let a osoby s velmi silným a komplexním postižením pouze v případě, že byly řádně poučeny.
- Děti do 3 let by měly být mimo dosah spotřebiče, nebo by měly být neustále pod dozorem rodičů.
- Zabraňte dětem si se spotřebičem hrát.
- Děti smí spotřebič čistit nebo provádět údržbu pouze pod dohledem.
- Děti od 3 do 8 let mohou do chladicích spotřebičů vkládat potraviny a také je z něj vyjímat.

- Uchovávejte veškerý obalový materiál mimo dosah dětí a řádně jej zlikvidujte.

Všeobecná bezpečnost

- Tento spotřebič je určen pro použití v domácnosti a k podobným účelům, jako jsou:
 - kuchyňské prostory zaměstnanců v obchodech, kancelářích a jiných pracovních prostředích;
 - farmy, využití klienty v hotelech, motelech nebo jiných typech prostředí poskytujících ubytování;
 - ubytování poskytující nocleh se snídaní;
 - catering a podobné nemaloobchodní služby.
- **VAROVÁNÍ:** Nezakrývejte ventilační otvory v krytu spotřebiče nebo ve vestavěné konstrukci.
- **VAROVÁNÍ:** K urychlení procesu odmrazování spotřebiče nepoužívejte mechanické nástroje ani jiné prostředky kromě prostředků doporučených výrobcem.
- **VAROVÁNÍ:** Nepoškozujte chladicí okruh.
- **VAROVÁNÍ:** Nepoužívejte žádné elektrické spotřebiče uvnitř skladovacího prostoru chladničky, pokud se nejedná o typy doporučené výrobcem.
- **VAROVÁNÍ:** K čištění spotřebiče nepoužívejte rozprašovač vody ani páru.
- **VAROVÁNÍ:** Spotřebič čistěte vlhkým měkkým hadříkem. Používejte pouze neutrální čisticí prostředky. Nepoužívejte abrazivní prostředky, abrazivní čisticí houbičky, rozpouštědla ani kovové předměty.

- **VAROVÁNÍ:** Neuchovávejte v tomto spotřebiči výbušné látky, jako jsou aerosolové nádoby s hořlavým hnacím plynem.
- **VAROVÁNÍ:** Pokud je napájecí kabel poškozen, musí jej vyměnit výrobce, jeho autorizované servisní středisko nebo podobně kvalifikované osoby, aby se předešlo možnému nebezpečí.
- **VAROVÁNÍ:** Přesunujete-li spotřebič na své místo, zajistěte, aby nedošlo k zachycení nebo poškození napájecího kabelu.
- **VAROVÁNÍ:** Neumísťujte za spotřebič přenosné zásuvkové lišty ani přenosné zdroje energie.
- Ponecháte-li otevřené dveře po delší dobu, může ve vnitřním prostoru spotřebiče dojít k významnému zvýšení teploty.
- Pravidelně čistěte plochy, které mohou přijít do kontaktu s potravinami, a přístupné odtokové kanálky.
- Pokud jste nádržky na vodu po dobu 48 hodin nepoužívali, vyčistěte je. Pokud jste vodu po dobu 5 dní nevyčerpali, vodní systém připojený k přívodu vody propláchněte.
- Syrové maso a ryby skladujte v chladničce ve vhodných nádobách, aby se nedostaly do kontaktu s jinými potravinami ani na ně nekapaly.
- Pokud bude chladicí spotřebič delší dobu prázdný, vypněte jej, odmrzete, vyčistěte, vysušte a ponechte otevřené dveře, aby se ve spotřebiči netvořila plíseň.
- Tento chladicí spotřebič není vhodný ke zmrazování potravin.
- Tato chladnička není určena k použití jako vestavěný spotřebič.
- Prostory pro mražené potraviny označené dvěma hvězdičkami jsou vhodné ke skladování předem zmrazených potravin, ke skladování či výrobě zmrzliny a přípravě ledových kostek.
- Prostory označené jednou, dvěma nebo třemi hvězdičkami nejsou vhodné pro zmrazování čerstvých potravin.
- **VAROVÁNÍ:** Spotřebič musí být upevněn v souladu s pokyny, aby se zabránilo nebezpečí v důsledku jeho nestability.

Bezpečnostní pokyny

Montáž

⚠ VAROVÁNÍ! Tento spotřebič smí namontovat pouze kvalifikovaná osoba.

- Sejměte veškerý obalový materiál.
- Nemontujte ani nepoužívejte poškozený spotřebič.
- Postupujte podle montážních pokynů dodaných se spotřebičem.
- Při přesunování spotřebiče vždy dbejte opatrnosti, protože spotřebič je těžký. Vždy používejte ochranné rukavice a uzavřenou obuv.
- Při přenášení spotřebiče dávejte pozor, abyste nepoškodili podlahy (např. parkety).
- Ujistěte se, že spotřebič není v blízkosti zdroje tepla.
- Spotřebič instalujte a vyrovnejte na dostatečně pevné podlaze, aby unesla jeho hmotnost, a na místo vhodné pro jeho velikost a použití.
- Ujistěte se, že kolem spotřebiče může cirkulovat vzduch.
- Po první montáži nebo po otočení dveří vyčkejte alespoň 4 hodiny, než spotřebič připojíte k napájení. Důvodem je, aby mohl olej natéct zpět do kompresoru.

- Před prováděním jakýchkoli úkonů se spotřebičem (např. otočením dveří) vyjměte zástrčku ze sítě zásuvky.
- Zadní část spotřebiče musí být umístěna u stěny.
- Neumísťujte spotřebič na místo s dosahem přímého slunečního záření.
- Tento spotřebič neumísťujte do prostorů, které jsou příliš vlhké nebo příliš chladné, jako jsou vinné sklepy.

Elektrické připojení

⚠ VAROVÁNÍ! Nebezpečí požáru a úrazu elektrickým proudem.

⚠ VAROVÁNÍ! Přesunujete-li spotřebič na své místo, zajistěte, aby nedošlo k zachycení nebo poškození napájecího kabelu.

- ⚠ VAROVÁNÍ!** Nepoužívejte rozdvojky ani prodlužovací kabely.
- Spotřebič musí být uzemněn.
 - Zkontrolujte, zda parametry na typovém štítku odpovídají elektrickým údajům síťového napájení.

- Vždy používejte správně namontované zásuvky s proudovým chráničem.
- Zajistěte, aby nedošlo k poškození elektrických součástí (např. síťové zástrčky, napájecího kabelu, kompresoru). Je-li nutná výměna elektrické součásti, obraťte se na autorizované servisní středisko nebo na elektrikáře.
- Napájecí kabel musí zůstat pod úrovní síťové zástrčky.
- Připojte síťovou zástrčku do zásuvky až na konci montáže. Zajistěte, aby byl po montáži k síťové zástrčce přístup.
- Při odpojování spotřebiče netahejte za napájecí kabel. Vždy táhněte za zástrčku.
- Pouze pro Spojené království a Irsko: Tento spotřebič je vybaven 13 A síťovou zástrčkou. Je-li třeba vyměnit pojistku síťové zástrčky, použijte pouze pojistku 13 A ASTA (BS 1362).

Používání

⚠ VAROVÁNÍ! Nebezpečí úrazu, popálení, úrazu elektrickým proudem nebo požáru!



Trubky chladicího okruhu obsahují malé množství ekologického, ale hořlavého chladiva R600a. Nepoškozuje ozónovou vrstvu a nezvyšuje skleníkový efekt. Při úniku chladiva může dojít k poranění očí nebo ke vznícení. Nepoškozujte trubky.

- Povrch kompresoru se může během normálního provozu zahřát. Nedotýkejte se ho rukama.
- Neměňte specifikace tohoto spotřebiče.
- Neumísťujte do spotřebiče jiné elektrické spotřebiče (např. stroje na zmrzlinu), pokud nejsou povoleny výrobcem.
- Pokud dojde k poškození chladicího okruhu, zkontrolujte, zda v místnosti nejsou zdroje plamenů a jisker. Vyvětrejte místnost.
- Zabraňte dotyku horkých předmětů s plastovými částmi spotřebiče.
- Nápoje v lahvích neukládejte do mrazicího boxu, aby nedošlo k jejich prasknutí nebo jiným ztrátám.
- Neuchovávejte ve spotřebiči hořlavé plyny ani kapaliny.
- Neumísťujte do spotřebiče, jeho blízkosti ani na spotřebič žádné hořlavé látky ani vlhké předměty, které hořlavé látky obsahují.
- Nedotýkejte se kompresoru ani kondenzátoru. Jsou horké.
- Pokud máte mokré nebo vlhké ruce, nevyndávejte předměty z prostoru s mrazenými potravinami ani se jich nedotýkejte.
- Nepolykejte obsah (netoxický) balíčků s ledem.
- Nejezte kostky ledu ani ledová lízátka ihned po vyjmutí z mrazničky, protože mohou způsobit popáleniny chladem.

- Rozmrazené potraviny by se neměly do prostoru s mrazenými potravinami znovu vkládat.
- Dodržujte pokyny pro skladování uvedené na balení potravin.

Vnitřní osvětlení

⚠ VAROVÁNÍ! Nebezpečí úrazu elektrickým proudem.

- Žárovka použitá uvnitř spotřebiče je určena speciálně pro domácí spotřebiče a není vhodná pro běžné osvětlení místností v domácnosti ((EU) 2019/2020).

Údržba a čištění

⚠ VAROVÁNÍ! Nebezpečí zranění nebo poškození spotřebiče!

- Před údržbou vypněte spotřebič a vytáhněte síťovou zástrčku ze zásuvky.
- Tento spotřebič obsahuje v chladicí jednotce uhlovodíky. Údržbu a doplňování jednotky může provádět pouze kvalifikovaná osoba.
- Pravidelně kontrolujte odtok spotřebiče a v případě potřeby jej vyčistěte. Pokud je ucpaný odtok, ve spodní části spotřebiče se shromažďuje rozmrazená voda.

Servis

- Chcete-li spotřebič opravit, obraťte se na autorizované servisní středisko uvedené v seznamu na konci tohoto návodu.
- Používejte pouze originální náhradní díly.

Likvidace

⚠ VAROVÁNÍ! Nebezpečí zranění nebo udušení.

- Odpojte spotřebič od elektrické sítě.
- Odřízněte napájecí kabel a zlikvidujte jej.
- Sejměte dvířka, aby nemohlo dojít k zavření dětí a domácích zvířat uvnitř spotřebiče.
- Chladicí okruh a izolační materiály tohoto spotřebiče jsou šetrné k ozónové vrstvě.
- Izolační pěna obsahuje hořlavé plyny. Informace o správné likvidaci tohoto spotřebiče vám poskytne příslušný místní úřad.
- Nepoškoďte část chladicí jednotky, která se nachází v blízkosti výměníku tepla.

Výrobce odmítá jakoukoli odpovědnost za zranění osob nebo zvířat nebo za škody na majetku, pokud nebudou dodrženy výše uvedené rady a bezpečnostní opatření.

Montáž

VAROVÁNÍ! Před instalací spotřebiče si pečlivě přečtěte bezpečnostní informace v této brožuře.

Kontrolní seznam montáže

Dveře

- Těsnění dveří na všech stranách zcela přiléhají ke skříni
- Dveře jsou rovně

Vyrovnání

- Chladnička je rovně

Elektrické napájení

- Počkejte 4 hodiny
- Elektřina v domácnosti je zapnuta
- Chladnička je připojena

Závěrečné kontroly

- Byly sejmuty obalové materiály
- Byla nastavena teplota chladničky

Umístění

- Při montáži tohoto spotřebiče postupujte podle samostatných pokynů k montáži.
- Namontujte tento spotřebič na místě, kde okolní teplota odpovídá klimatické třídě uvedené na typovém štítku spotřebiče. Tím se zajistí správná funkce spotřebiče. Vysvětlení klimatických tříd je následující:

Klimatická třída	Rozsah okolní teploty
SN	+10 až +32 °C
N	+16 až +32 °C
ST	+16 až +38 °C
T	+16 až +43 °C

- Označení „SN“ znamená, že tento chladicí spotřebič je určen k používání při okolní teplotě od 10 °C do 32 °C.

- Označení „N“ znamená, že tento chladicí spotřebič je určen k používání při okolní teplotě od 16 °C do 32 °C.

- Označení „ST“ znamená, že tento chladicí spotřebič je určen k používání při okolní teplotě od 16 °C do 38 °C.

- Označení „T“ znamená, že tento chladicí spotřebič je určen k používání při okolní teplotě od 16 °C do 43 °C.

i U některých modelů spotřebičů se mohou vyskytnout určité funkční problémy, pokud pracují mimo stanovené teplotní rozsahy. Správnou činnost lze zaručit pouze v uvedených rozsazích teplot.

Máte-li ohledně montáže jakékoli pochybnosti, obraťte se na prodejce, naše služby zákazníkům nebo nejbližší autorizované servisní středisko.

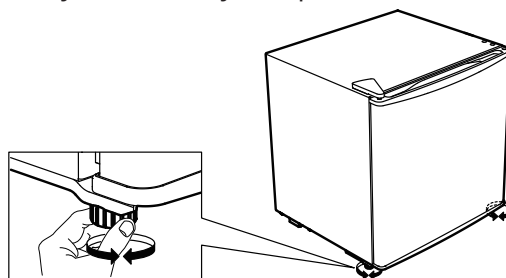
Místo

Chcete-li zajistit co nejlepší výkon, umístěte spotřebič do dostatečné vzdálenosti od zdrojů tepla, jako jsou radiátory, kotle a přímé sluneční záření. Zajistěte, aby kolem zadní části spotřebiče mohl volně proudit vzduch.

Vyrovnání spotřebiče

Pokud se spotřebič nějakým směrem naklání, nastavte dvě nožičky ve předu spotřebiče tak, aby byl spotřebič ve vodorovné poloze. Podrobné informace o montáži naleznete v samostatných pokynech k montáži.

1. Odpojte síťovou zástrčku spotřebiče od napájecí zásuvky.
2. Otáčením nožičky ve směru hodinových ručiček spotřebič zvednete. Otáčením nožičky proti směru hodinových ručiček výšku spotřebiče snížíte.



Čištění spotřebiče

Před prvním použitím spotřebič vyčistěte, abyste odstranili typický zápach nového výrobku.

1. Ujistěte se, že je spotřebič odpojen od elektrické sítě.
2. Vnitřní prostor otřete měkkým navlhčeným hadříkem.
3. Vnitřní příslušenství omyjte vlažnou vodou s trochou neutrálního mýdla a poté důkladně osušte.

POZOR!

Nepoužívejte abrazivní, chloridové ani kyselé čisticí prostředky ani rozpouštědla.

- Nepoužívejte drátěnky ani abrazivní houbičky. Kovové povrchy mohou korodovat.
- Příslušenství nikdy nemyjte v myčce na nádobí. Mohou se deformovat.

Elektrické připojení

VAROVÁNÍ! Veškeré elektrická práce nutné při montáži tohoto spotřebiče musí provádět kvalifikovaný elektrikář nebo jiná kompetentní osoba.

VAROVÁNÍ! Tento spotřebič musí být uzemněn. Nedodržení těchto pokynů může vést ke smrti, požáru nebo úrazu elektrickým proudem. Nebudou-li tato bezpečnostní opatření dodržována, odmítá výrobce jakoukoli odpovědnost. Tento spotřebič je v souladu se směrnicemi EHS.

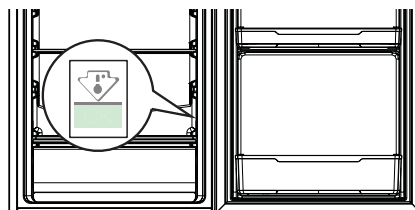
První použití

Připojte spotřebič k napájení. Ideální teploty pro skladování potravin jsou již nastaveny z výroby (střední nastavení).

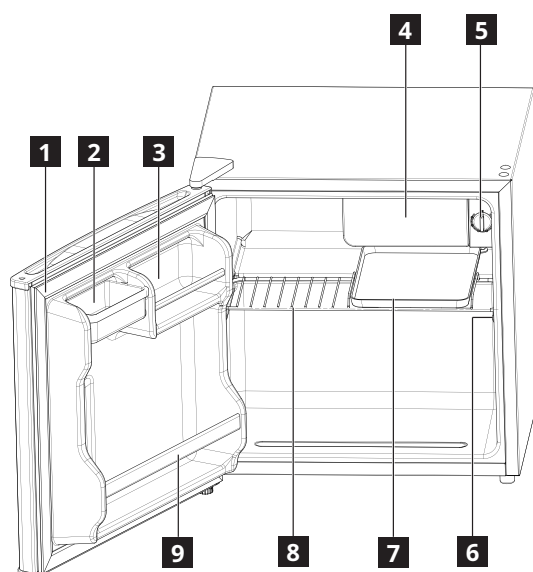
Poznámka: Po zapnutí spotřebič potřebuje 4–5 hodin, aby dosáhl správné teploty pro uložení běžného objemu potravin.

Důležité!

Chladnička musí být v souladu s předpisy některých zemí vybavena speciálním zařízením (viz obrázek níže) umístěným ve spodním prostoru chladničky, aby byla označena nejchladnější zóna spotřebiče.



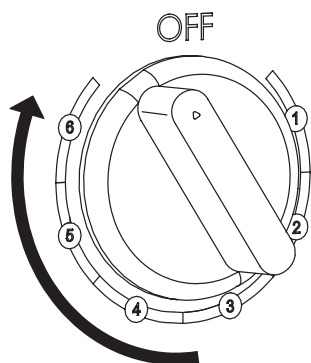
Popis spotřebiče



- 1** Těsnění dveří
- 2** Úložný box
- 3** Držák na plechovky
- 4** Zchlazovací prostor

- 5** Regulátor teploty
- 6** Typový štítek
- 7** Rozmrazovací tácek
- 8** Police
- 9** Držák na láhve

Ovládání



Zapnutí spotřebiče

Připojte síťovou zástrčku do zásuvky a nastavte teplotu. Spotřebič se zapne a začne pracovat.

Nastavení teploty

Teplota se reguluje automaticky.

Nastavení teploty:

- Otočte regulátor teploty na nižší hodnotu, abyste snížili chlad.
- Otočte regulátor teploty na vyšší hodnotu, abyste zvýšili chlad.

i Obecně bývá nejvhodnější střední nastavení.

Při nastavování teploty mějte na paměti, že teplota uvnitř spotřebiče závisí na následujících faktorech:

- pokojové teplotě,
- četnosti otevírání dveří,
- množství uložených potravin,
- umístění spotřebiče.

Důležité! Pokud je okolní teplota vysoká, nebo je spotřebič zcela zaplněn a jsou nastaveny nejnižší teploty, může být chlazení nepřetržitě spuštěné a způsobovat tvoření námrazy na zadní stěně spotřebiče. V takovém případě je nutné nastavit vyšší teplotu, aby mohlo docházet k automatickému odmrazování a následně i k nižší spotřebě energie.

Každodenní používání

Tipy pro chlazení čerstvých potravin

- Zabalte nebo zakryjte potraviny, a to zejména v případě, že mají výraznou chuť.
- Vkládejte potraviny tak, aby kolem nich mohl volně cirkulovat vzduch.
- Nejlepšího výkonu dosáhnete, ponecháte-li v prostoru chladničky kolem jednotlivých balení dostatek místa, aby vzduch mohl cirkulovat. Dostatek místa ponechejte také v přední části, aby bylo možné dveře řádně zavírat.
- Nevkládejte do chladničky teplé potraviny nebo odpařující se tekutiny.
- Vařené potraviny a studené pokrmy: Zakryjte je a umístěte na jakoukoli polici.
- Ovoce a zelenina: Pečlivě je očistěte a vložte do zásuvky na zeleninu. Banány, brambory, cibuli a česnek lze v chladničce skladovat pouze zabalené.
- Máslo a sýr: Vkládejte do speciálních vzduchotěsných nádob nebo zabalte do hliníkové fólie či polyetylenových sáčků, abyste vyloučili co nejvíce vzduchu.
- Lahve: uzavřete uzávěry a umístěte do polic dveří.

Tipy pro úsporu energie

- Spotřebič instalujte v suché, dobře větrané místnosti, daleko od jakéhokoli zdroje tepla (například radiátoru, sporáku atd.) a na místě, které není vystaveno přímému slunečnímu záření. V případě potřeby použijte izolační desku.

Čištění a údržba

Všeobecné tipy

- Spotřebič pravidelně čistěte hadříkem s roztokem teplé vody a neutrálního čistícího prostředku speciálně určeného pro vnitřní prostory chladničky. Nepoužívejte abrazivní čistící prostředky ani nástroje.

Tipy:

- Čím nižší je teplota, tím déle můžete potraviny bezpečně skladovat a tím více elektřiny spotřebič spotřebuje.
- Čím vyšší je teplota, tím rychleji se uložené potraviny rozkládají a tím méně elektřiny spotřebič spotřebuje.

Vypnutí spotřebiče

Chcete-li spotřebič vypnout, otočte knoflíkem regulátoru teploty do polohy „OFF“ a poté vytáhněte síťovou zástrčku ze zásuvky.

- Pro zajištění dostatečného větrání postupujte podle montážních pokynů.
- Nedostatečné větrání na zadní straně výrobku zvyšuje spotřebu energie a snižuje účinnost chlazení.
- Vnitřní teploty spotřebiče mohou být ovlivněny okolní teplotou, četností otevírání dveří a umístěním spotřebiče. Nastavení teploty by mělo tyto faktory zohledňovat.
- Před vložením teplých potravin a nápojů do spotřebiče je nechte vychladnout.
- Nezakrývejte ventilátor (je-li k dispozici) potravinami.
- Po vložení nebo vyjmutí potravin se ujistěte, že jste řádně zavřeli dveře, zejména dveře mrazničky.
- Zredukujte otevírání dveří na minimum.
- Při rozmrazování zmrazených potravin je vložte do chladničky. Nízká teplota zmrazených výrobků ochlazuje potraviny v chladničce.
- Umístění polic v chladničce nemá žádný vliv na efektivní využití energie. Potraviny by měly být na policích umístěny tak, aby byla zajištěna správná cirkulace vzduchu (potraviny by se neměly vzájemně dotýkat a měla by být dodržena vzdálenost mezi potravinami a zadní stěnou).
- Poškozená těsnění je třeba co nejdříve vyměnit.

- Před údržbou nebo čištěním spotřebiče jej odpojte od elektrické sítě nebo odpojte napájení.

POZOR! Příslušenství chladničky se nesmí vkládat do myčky nádobí.

Odmrazování spotřebiče

- Spotřebič odmrázujte vždy, když vrstva námrazy na povrchu výparníku dosáhne tloušťky 3 až 4 mm.
- Před rozmrazováním vyjměte všechny potraviny a vypněte spotřebič. K zachycení rozmražené vody vložte pod výparník rozmrazovací tácek.
- Po roztátí námrazy vylijte rozmraženou vodu, vysušte vnitřek spotřebiče suchým hadříkem a spotřebič znovu zapněte.

Pokud nebudete spotřebič delší dobu používat

1. Vypněte spotřebič.
2. Odpojte spotřebič od elektrické sítě.
3. Vyjměte všechny potraviny.
4. Odmrazte a vyčistěte spotřebič.
5. Dveře nechte otevřené jen natolik, aby v oddílech mohl cirkulovat vzduch. Tím se zabrání tvorbě plísní a nepříjemných pachů.

V případě výpadku proudu

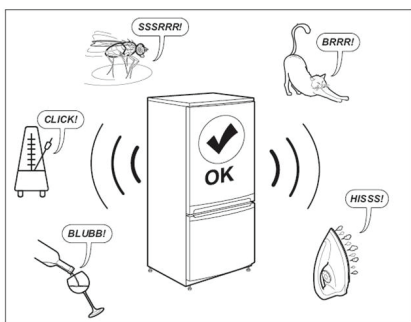
- Dveře spotřebiče nechte zavřené. Díky tomu zůstanou potraviny co nejdéle studené.

Řešení potíží

Problém	Možná příčina	Řešení
Spotřebič nefunguje.	Spotřebič je vypnutý.	Zapněte spotřebič.
	Zástrčka není správně připojena do síťové zásuvky.	Připojte zástrčku do síťové zásuvky správně.
	V síťové zásuvce není napětí.	Chcete-li zjistit, zda je síťová zásuvka funkční, připojte k ní jiný elektrický spotřebič. Kvůli opravě zásuvky se obraťte na kvalifikovaného elektrikáře.
Spotřebič je hlučný.	Spotřebič nestojí stabilně.	Vyrovnejte spotřebič. Viz část „Vyrovnění spotřebiče“ nebo samostatné pokyny k montáži.
Kompresor běží nepřetržitě.	Nastavená teplota je příliš nízká.	Nastavte vyšší teplotu. Viz část „Ovládání“.
	Bylo vloženo velké množství potravin zároveň.	Počkejte několik hodin a poté znovu zkontrolujte teplotu.
	Teplota v místnosti je příliš vysoká.	Je-li to možné, změňte polohu spotřebiče. Viz část „Umístění“.
	Potraviny vložené do spotřebiče byly příliš teplé.	Než potraviny do spotřebiče vložíte, nechte je ochladit na pokojovou teplotu.
	Dveře nejsou správně zavřené.	Viz část „Zavření dveří“.
Teplota ve spotřebiči je příliš nízká nebo příliš vysoká.	Teplota nebyla správně nastavena.	Nastavte vyšší nebo nižší teplotu.
	Dveře nejsou správně zavřené.	Viz část „Zavření dveří“.
	Potraviny vložené do spotřebiče byly příliš teplé.	Než potraviny do spotřebiče vložíte, nechte je ochladit na pokojovou teplotu.
	Bylo vloženo velké množství potravin zároveň.	Vkládejte najednou menší množství potravin.
	Tloušťka námrazy je větší než 4–5 mm.	Rozmrazte spotřebič.
	Dveře se otevíraly příliš často.	Otevírejte dveře pouze v případě nutnosti.
	Ve spotřebiči necirkuluje dostatek chladného vzduchu.	Přemístěte potraviny tak, aby ve spotřebiči mohl volně cirkulovat vzduch.
Dveře se zcela nedovírají.	Viz část „Zavření dveří“.	

Normální zvuky

Je normální, že chladicí systém vydává určité zvuky, například bubláni a syčení.



Zavření dveří

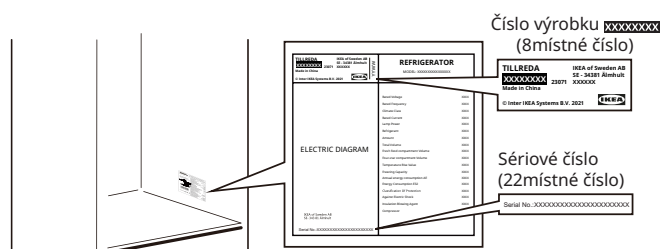
Pokud	Udělejte toto
Těsnění dveří jsou špinavé.	Vyčistěte je.
Těsnění dveří jsou poškozené.	Pro jejich výměnu se obraťte na poprodejní servis.
Dveře jsou blokovány policemi, zásuvkami, potravinami atd.	Správně umístěte nebo odstraňte předměty, které blokují dveře.
Spotřebič není ve vodorovné poloze.	Vyrovnejte spotřebič. Viz část „Vyrovnaní spotřebiče“ nebo samostatné pokyny k montáži.
Dveře nejsou zarovnané se skříní.	Nastavte dveře. Viz samostatné pokyny k montáži.

Před tím, než se obrátíte na poprodejní servis:

Restartujte spotřebič a zkontrolujte, zda byla porucha odstraněna. Pokud porucha přetrvává, spotřebič znovu vypněte a po hodině operaci zopakujte. Nefunguje-li spotřebič správně ani po provedení kontrol uvedených v průvodci řešením problémů a po opětovném zapnutí spotřebiče, obraťte se na poprodejní servis a jasně vysvětlete problém a uveďte:

- povahu problému;
- datum nákupu
- model a sériové číslo spotřebiče

Číslo výrobku a sériové číslo jsou zobrazeny na typovém štítku na pravé straně vnitřního prostoru spotřebiče.



Obrázek slouží pouze k referenčním účelům.


Technické údaje

Kategorie výrobku	
Typ výrobku	Chladnička
Typ montáže	Samostatně stojící
Rozměry výrobku	
Výška	492 mm
Šířka	472 mm
Hloubka	450 mm
Čistý objem	
Chladnička	43,0 l
Systém odmrazování	
Chladnička	Ruční
Další technické údaje	
Počet hvězdiček	–
Doba nárůstu teploty	–
Spotřeba energie	80 kWh/rok
Hlučnost	41 dB(A)
Energetická třída	E
Jmenovité napětí	220–240 V~
Jmenovitý kmitočet	50 Hz
Světelný zdroj třídy energetické účinnosti	–

Poznámka: Informace o výrobku v databázi výrobků lze získat naskenováním kódu QR na štítku EPREL.

Ekologické informace

1. Obalové materiály

Recyklovatelné materiály jsou označeny symbolem . Obalové materiály recyklujte vložením do příslušného kontejneru.

Obalové materiály (plastové sáčky, polystyrenové díly atd.) uchovávejte mimo dosah dětí, protože jsou potenciálním zdrojem nebezpečí.

2. Vyřazování/likvidace

Spotřebič je vyroben z recyklovatelného materiálu. Tento spotřebič je označen v souladu s evropskou směrnicí 2002/96/ES o odpadních elektrických a elektronických zařízeních (WEEE). Správnou likvidací tohoto spotřebiče pomůžete zabránit možným negativním důsledkům na životní prostředí a lidské zdraví.

Symbol  na spotřebiči nebo v příložených

dokumentech označuje, že se s tímto spotřebičem nesmí nakládat jako s domácím odpadem, ale musí být odevzdán do speciálního sběrného střediska pro recyklaci elektrických a elektronických zařízení. Při vyřazování spotřebiče jej znehodnotte odříznutím napájecího kabelu a odstraněním dvířek a polic, aby děti nemohly snadno vlézt dovnitř a uvěznit se.

Spotřebič vyřadte v souladu s místními předpisy o likvidaci odpadu a odveďte jej do speciálního sběrného střediska; nenechávejte spotřebič bez dozoru ani několik dní, protože je potenciálním zdrojem nebezpečí pro děti.

Další informace o zpracování, využití a recyklaci tohoto výrobku získáte na příslušném místním úřadě, ve sběrně domovního odpadu nebo v obchodě, kde jste spotřebič zakoupili.

Prohlášení o shodě

- Tento spotřebič je určen ke konzervaci potravin a je vyroben v souladu s nařízením (ES) č. 1935/2004.



- Tento spotřebič byl navržen, vyroben a uveden na trh v souladu:
 - s bezpečnostními cíli směrnice 2014/35/EU o nízkém napětí (která nahrazuje směrnicí 2006/95/ES a její následné změny);

- s požadavky na ochranu podle směrnice o elektromagnetické kompatibilitě 2014/30/EU.
- Tento spotřebič byl navržen, vyroben a uveden na trh v souladu:
 - Předpisy o elektromagnetické kompatibilitě 2016
 - Předpisy pro elektrická zařízení (bezpečnost) 2016

**Záruka IKEA****Jak dlouho platí záruka IKEA?**

Pokud není v národní legislativě uvedeno jinak, platí tato záruka **2 roky** od data nákupu. Pokud není v národní legislativě uvedeno jinak, v Norsku, Portugalsku a Španělsku platí záruka 3 roky od data dodání zákazníkovi. Jako doklad o koupi je požadována původní účtenka. Jestliže se v záruční době provede nějaká oprava, záruční doba spotřebiče se tím neprodlužuje.

Kdo provádí servisní službu?

Poskytovatel služeb IKEA poskytuje servis prostřednictvím svých vlastních servisních služeb nebo sítě autorizovaných servisních partnerů.

Na co se záruka vztahuje?

Záruka se vztahuje na závady spotřebiče, které byly způsobené vadnou konstrukcí nebo vadným materiálem vzniklé po datu zakoupení spotřebiče ve společnosti IKEA. Tato záruka se vztahuje pouze na domácí používání. Výjimky jsou uvedeny v části „Na co se nevztahuje záruka?“. Záruka pokrývá během záruční doby náklady na odstranění závady, např. opravu, díly, práci a cestu pracovníka za předpokladu, že je spotřebič dostupný pro opravu bez zvláštních nákladů. Tyto podmínky upravují směrnice EU (č. 99/44/ES) a příslušné národní předpisy. Vyměněné díly se stávají majetkem společnosti IKEA.

Jak bude společnost IKEA při odstranění závady postupovat?

Poskytovatel služeb určený společností IKEA výrobek prozkoumá a rozhodne dle svého výhradního uvážení, zda se na závadu vztahuje záruka. Dojde-li k závěru, že je závada pokryta zárukou, poskytovatel služeb IKEA nebo jeho autorizovaný servisní partner prostřednictvím svých vlastních servisních služeb poté dle svého výhradního uvážení rozhodnou, zda vadný výrobek opraví, nebo jej nahradí stejným či srovnatelným výrobkem.

Na co se nevztahuje záruka?

- Na běžné opotřebení.
- Na poškození způsobené úmyslně nebo nedbalostí, nedodržením návodu k použití, nesprávnou instalací nebo připojením k nesprávnému napětí, poškození způsobené chemickou nebo elektrochemickou reakcí, rzi, korozi nebo vodou včetně, ale nikoli výhradně omezené na nadměrné množství vápence v přiváděné vodě, poškození způsobené abnormálními podmínkami okolního prostředí.
- Na spotřební materiál včetně baterií a žárovek.
- Na nefunkční a ozdobné části, které nemají vliv na normální používání spotřebiče včetně jakéhokoli poškrábání a možných barevných rozdílů.
- Na náhodné poškození způsobené cizími předměty nebo látkami a čištěním nebo uvolněním filtrů, odtokových systémů nebo zásuvek na čisticí prostředek.
- Na poškození následujících dílů: keramického skla, příslušenství, košů na nádobí a příbory, přírodní a odtokové trubky, těsnění, žárovky a kryty žárovek, filtry, ovladače, opláštění a jeho části. S výjimkou takových poškození, u kterých lze prokázat, že tato poškození byla způsobena výrobními vadami.
- Na případy, kdy technik při návštěvě neshledal žádnou závadu.
- Na opravy, které neprováděli naši k tomu určený poskytovatelé služeb anebo autorizovaní smluvní servisní partneři, nebo na opravy, při nichž nebyly použity originální náhradní díly.
- Na opravy způsobené instalací, která není správná nebo neodpovídá technickým údajům.
- Na použití spotřebiče mimo domácnost, tedy k profesionálnímu použití.
- Na poškození při dopravě. Jestliže zákazník dopravuje spotřebič sám do svého bytu nebo na jinou adresu, neodpovídá společnost IKEA za žádné poškození, ke kterému mohlo při dopravě dojít. Pokud ale dopravovala spotřebič na uvedenou adresu zákazníka společnost IKEA, pak je případné poškození při dopravě kryto touto zárukou IKEA.

- Na náklady na provedení první montáže spotřebiče IKEA. Jestliže ale poskytovatel služeb IKEA nebo jeho autorizovaný servisní partner v rámci této záruky opraví nebo vymění spotřebič, poskytovatel služeb IKEA nebo jeho autorizovaný servisní partner opravený spotřebič nebo nový spotřebič znovu nainstalují, pokud to bude nutné.

Toto omezení se nevztahuje na bezchybnou práci prováděnou kvalifikovanými specialisty, kteří používají naše originální díly, aby spotřebič přizpůsobili technickým bezpečnostním údajům jiné země EU.

Uplatnění zákonů dané země

Záruka IKEA poskytuje zvláštní zákonná práva, která zahrnují nebo překračují všechny místní zákonné požadavky. Tyto podmínky však žádným způsobem neomezují práva spotřebitele popsána v místní legislativě.

Rozsah platnosti

Pro spotřebiče, které jsou zakoupeny v jedné zemi EU a převezeny do jiné země EU, budou servisní služby prováděny v rámci záručních podmínek obvyklých v nové zemi.

Povinnost provést servisní službu v rámci záruky existuje jen tehdy, pokud je spotřebič namontován a je ve shodě s:

- technickými požadavky platnými v zemi, ve které byla reklamace v záruční době vznesena,
- pokyny k montáži a bezpečnostními informacemi v návodu k použití.

Vyhrazená POPRODEJNÍ služba pro spotřebiče IKEA

Neváhejte a obraťte se v následujících případech na poskytovatele poprodejní služby IKEA:

- máte-li požadavek na servis v rámci této záruky,
- požadujete-li vysvětlení týkající se montáže spotřebiče IKEA ve vyhrazeném kuchyňském nábytku IKEA,
- dotazu týkajícího se vysvětlení funkce spotřebičů IKEA.

Než nás kontaktujete, přečtěte si pozorně pokyny k instalaci anebo návod k použití, abychom vám mohli poskytnout co nejlepší pomoc.

Kde nás najdete, když potřebujete servisní službu



Telefonní čísla pověřených poskytovatelů poprodejního servisu IKEA najdete na konci tohoto návodu.

- ❗ **Doporučujeme vám, abyste využili konkrétní telefonní čísla uvedená v tomto návodu, abychom vám mohli poskytnout rychlejší služby. Vždy využívejte telefonní čísla uvedená v návodu k použití ke konkrétnímu spotřebiči, ohledně kterého potřebujete pomoc. Nezapomeňte uvést 8místné číslo výrobku a 22místné sériové číslo uvedené na typovém štítku spotřebiče.**

❗ USCHOVEJTE SI ÚČTENKU!

Je to váš doklad o koupi a je nutný k uplatnění záruky. Na účtence je také uveden název a produktový kód IKEA (8místný kód) každého zakoupeného spotřebiče.

Potřebujete další pomoc?

Máte-li jakékoli další otázky, které nesouvisí s poprodejním servisem k vašemu spotřebiči, obraťte se na nejbližší kontaktní centrum obchodu IKEA. Než nás kontaktujete, doporučujeme přečíst si pozorně dokumentaci ke spotřebiči.

Informace o náhradních dílech

- Následující náhradní díly: termostaty, teplotní senzory, desky s plošnými spoji a světelné zdroje budou k dispozici profesionálním opravářům po dobu minimálně sedmi let od uvedení poslední jednotky daného modelu na trh.
- Následující náhradní díly: kliky dveří, závěsy dveří, zásobníky a koše budou k dispozici profesionálním opravářům a koncovým uživatelům po dobu minimálně sedmi let a těsnění dveří po dobu minimálně 10 let od uvedení posledního kusu modelu na trh.

Náhradní díly naleznete na: www.ikea.com

Spis treści

Informacje dotyczące bezpieczeństwa.....	157	Codzienna użytkowanie	163
Zalecenia dotyczące bezpieczeństwa	158	Czyszczenie i konserwacja	163
Instalacja	160	Rozwiązywanie problemów	164
Pierwsze użycie	161	Informacje techniczne.....	166
Opis urządzenia	162	Ochrona środowiska.....	166
Obsługa.....	162	Gwarancja IKEA	167

Informacje dotyczące bezpieczeństwa

Przed zainstalowaniem i użyciem urządzenia należy uważnie przeczytać dostarczony razem z nim podręcznik użytkownika. Producent nie ponosi odpowiedzialności, jeśli nieprawidłowy montaż lub niepoprawne użytkowanie spowodują obrażenia ciała bądź szkody materialne. Podręcznik użytkownika należy przechowywać w pobliżu urządzenia.

Bezpieczeństwo dzieci i osób z niepełnosprawnościami



OSTRZEŻENIE:

Niebezpieczeństwo pożaru / materiały łatwopalne

- Urządzenie może być używane przez dzieci w wieku powyżej ośmiu lat i osoby z ograniczoną sprawnością motoryczną, sensoryczną lub umysłową lub niedostatecznym doświadczeniem lub wiedzą pod warunkiem, że są pod nadzorem lub zostały przeszkolone w zakresie bezpiecznego korzystania z urządzenia i poinformowane o zagrożeniach związanych z korzystaniem z urządzenia. Dzieci nie powinny bawić się urządzeniem. Dzieci nie powinny przeprowadzać bez nadzoru czyszczenia i konserwacji dokonywanej przez użytkownika. Zadbaj o to, by dzieci nie bawiły się niniejszym urządzeniem.
- Niniejsze urządzenie może być użytkowane przez dzieci w wieku od 3 do 8 lat oraz osoby upośledzone w znacznym stopniu, pod warunkiem udzielenia odpowiednich wskazówek.

- Dzieci w wieku poniżej trzech lat mogą zbliżyć się do urządzenia tylko pod ciągłym nadzorem.
- Nie wolno zezwalać dzieciom na używanie urządzenia do zabawy.
- Dzieci mogą wykonywać prace związane z czyszczeniem lub konserwacją urządzenia tylko pod nadzorem.
- Dzieci w wieku od trzech do ośmiu lat mogą umieszczać produkty spożywcze w urządzeniach chłodniczych i wyjmować je z tych urządzeń.
- Opakowanie należy przechowywać w miejscu niedostępnym dla dzieci i prawidłowo utylizować.

Ogólne zalecenia dotyczące bezpieczeństwa

- To urządzenie jest przeznaczone do użytku w gospodarstwach domowych i podobnych następujących lokalizacjach:
 - w pracowniczych pomieszczeniach kuchennych w sklepach, biurach i innych miejscach pracy;
 - w budynkach gospodarstw rolnych i jako wyposażenie przeznaczone dla klientów hoteli, moteli i innych obiektów mieszkalnych;
 - w pensjonatach;
 - w firmach cateringowych i podobnych miejscach nieprzeznaczonych do prowadzenia sprzedaży detalicznej.
- **OSTRZEŻENIE:** Nie wolno zasłaniać otworów wentylacyjnych w obudowie urządzenia lub zabudowie.

- **OSTRZEŻENIE:** Nie wolno przyspieszać procesu odszraniania przy użyciu urządzeń mechanicznych lub innych metod, które nie są zalecane przez producenta.
- **OSTRZEŻENIE:** Należy chronić obwód czynnika chłodniczego przed uszkodzeniem.
- **OSTRZEŻENIE:** W komorach urządzenia przeznaczonych do przechowywania produktów spożywczych nie wolno używać wyposażenia elektrycznego, które nie jest zalecane przez producenta.
- **OSTRZEŻENIE:** Nie wolno czyścić urządzenia przy użyciu rozpylaczy wody lub pary wodnej.
- **OSTRZEŻENIE:** Urządzenie należy czyścić miękką, wilgotną szmatką. Należy korzystać wyłącznie z obojętnych detergentów. Nie wolno używać produktów ściernych, szorstkich zmywaków, rozpuszczalników lub przedmiotów metalowych.
- **OSTRZEŻENIE:** Nie wolno przechowywać w lodówce substancji wybuchowych, takich jak puszki aerozoli z palnym propelentem.
- **OSTRZEŻENIE:** Jeśli kabel zasilania jest uszkodzony, musi zostać wymieniony przez producenta, autoryzowany punkt napraw lub podobnie wyszkolone osoby w celu uniknięcia niebezpieczeństwa.
- **OSTRZEŻENIE:** Podczas ustawiania urządzenia w miejscu użytkowania należy upewnić się, że przewód zasilający nie jest zgnieciony lub uszkodzony.
- **OSTRZEŻENIE:** Nie wolno umieszczać za urządzeniem przedłużaczy z rozgałęźnikami ani przenośnych zasilaczy.
- Pozostawienie otwartych drzwi przez długi czas może spowodować znaczny wzrost temperatury w komorach urządzenia.
- Należy regularnie czyścić elementy stykające się z produktami spożywczymi i przewód odpływowy.
- Należy wyczyścić zbiorniki na wodę, jeżeli nie były używane przez 48 godzin, i przepłukać instalację doprowadzającą wodę z sieci wodociągowej, jeżeli woda nie była pobierana przez 5 dni.
- Surowe mięso i ryby należy przechowywać w lodówce w odpowiednich pojemnikach, aby zapobiec zetknięciu się ich z innymi produktami lub wyciekaniu soków na inne produkty spożywcze.
- Jeżeli lodówka zostanie pozostawiona pusta i nie będzie używana przez długi czas, należy ją wyłączyć, odszronić, oczyścić, wysuszyć i pozostawić z otwartymi drzwiami, aby zapobiec rozwijaniu się pleśni wewnątrz urządzenia.
- To urządzenie chłodnicze nie jest przeznaczone do zamrażania produktów spożywczych.
- Niniejsze urządzenie chłodnicze nie jest przeznaczone do umieszczenia w zabudowie.
- Komory dwugwiazdkowe są przeznaczone do przechowywania mrozonek, przechowywania lub przygotowania lodów i wytwarzania lodu w kostkach.
- Komory oznaczone jedną, dwiema lub trzema gwiazdkami nie nadają się do mrożenia świeżej żywności.
- **OSTRZEŻENIE:** Aby uniknąć zagrożeń wynikających z niestabilności urządzenia, należy przymocować je zgodnie z zaleceniami.

Zalecenia dotyczące bezpieczeństwa

Instalacja

⚠ OSTRZEŻENIE! Urządzenie powinno być zainstalowane przez odpowiednio wykwalifikowaną osobę.

- Należy usunąć wszelkie elementy opakowania.

- Nie wolno instalować ani używać uszkodzonego urządzenia.
- Należy postępować zgodnie z instrukcjami instalacyjnymi podanymi w podręczniku użytkownika dostarczonym razem z urządzeniem.

- Przemieszczając urządzenie, należy zachować ostrożność, gdyż jest ono ciężkie. Należy zawsze używać rękawic ochronnych i pełnego obuwia.
- Należy uważać, by nie uszkodzić podłóg (np. parkietu) podczas przesuwania urządzenia.
- Nie można ustawiać urządzenia obok źródła ciepła.
- Zamontować i wypoziomować urządzenie na podłodze o nośności wystarczającej dla jego masy i w miejscu odpowiednim pod kątem jego rozmiaru i przeznaczenia.
- Należy zapewnić swobodny przepływ powietrza wokół urządzenia.
- Podczas wstępnej instalacji lub po przełożeniu drzwi przed podłączeniem wtyczki zasilania do gniazda należy pozostawić urządzenie w pozycji pionowej na przynajmniej 4 godziny. Pozwoli to na spłynięcie oleju z powrotem do sprężarki.
- Przed przeprowadzeniem jakichkolwiek działań związanych z urządzeniem (np. przed przełożeniem drzwi) należy odłączyć wtyczkę od gniazda zasilającego.
- Tylny panel obudowy urządzenia musi znajdować się przy ścianie.
- Nie wolno instalować urządzenia w miejscu, w którym będzie narażone na bezpośrednie światło słoneczne.
- Nie wolno instalować urządzenia w miejscach zbyt wilgotnych lub chłodnych, takich jak piwniczki z winami.
- Wtyczkę przewodu zasilającego można podłączyć do gniazda sieci elektrycznej dopiero po zakończeniu instalacji. Po zakończeniu instalacji należy zapewnić swobodny dostęp do wtyczki przewodu zasilającego.
- Odłączając zasilanie urządzenia, nie wolno ciągnąć za przewód zasilający. Zawsze należy chwytać za wtyczkę przewodu zasilającego.
- Dotyczy tylko Zjednoczonego Królestwa i Irlandii: Przewód zasilający urządzenia jest wyposażony we wtyczkę z bezpiecznikiem 13 A. Jeżeli konieczna jest wymiana bezpiecznika we wtyczce przewodu zasilającego, należy użyć tylko bezpiecznika 13 A ASTA (BS 1362).

Użytkowanie

⚠ OSTRZEŻENIE! Zagrożenie zranieniem, oparzeniem, porażeniem prądem elektrycznym lub pożarem.



Przewody obwodu czynnika chłodniczego zawierają niewielkie ilości przyjaznego środowisku lecz łatwopalnego czynnika chłodniczego R600a. Nie jest on szkodliwy dla warstwy ozonowej ani nie zwiększa efektu cieplarnianego. Jeśli czynnik chłodniczy wycieknie, może on uszkodzić wzrok lub się zapalić. Należy unikać uszkodzenia przewodów.

- Podczas normalnej pracy obudowa sprężarki może się rozgrzewać. Nie wolno jej dotykać.
- Nie wolno zmieniać specyfikacji tego urządzenia.
- Nie wolno umieszczać w urządzeniu wyposażenia elektrycznego, służącego na przykład do robienia lodów, z wyjątkiem okoliczności uwzględnionych przez producenta.
- Jeżeli obwód czynnika chłodniczego zostanie uszkodzony, należy upewnić się, że w pomieszczeniu nie ma otwartego ognia lub źródeł zapłonu. Należy przewietrzyć pomieszczenie.
- Nie wolno dopuścić do zetknięcia się gorących przedmiotów z plastikowymi elementami urządzenia.
- Nie należy przechowywać butelek z napojami w komorze zamrażarki, by zapobiec ich pęknięciu lub innym stratom.
- Nie wolno przechowywać w urządzeniu gazów lub cieczy łatwopalnych.
- Nie wolno umieszczać w pobliżu urządzenia łatwopalnych substancji lub przedmiotów zwilżonych takimi substancjami.
- Nie wolno dotykać sprężarki ani skraplacza. Te elementy są gorące.
- Nie wolno wyjmować ani dotykać przedmiotów w komorze na mrożonki mokrymi lub wilgotnymi dłońmi.
- Nie należy połykać (nietoksycznej) zawartości saszetek z lodem.

Połączenia elektryczne

⚠ OSTRZEŻENIE! Niebezpieczeństwo pożaru i porażenia prądem elektrycznym.

⚠ OSTRZEŻENIE! Podczas ustawiania urządzenia w miejscu użytkowania należy upewnić się, że przewód zasilający nie jest zgnieciony lub uszkodzony.

⚠ OSTRZEŻENIE! Nie wolno korzystać z rozdzielaczy (rozgałęźników) ani przedłużaczy elektrycznych.

- Urządzenie musi być uziemione.
- Należy upewnić się, że parametry podane na tabliczce znamionowej urządzenia są zgodne z parametrami sieci elektroenergetycznej.
- Należy zawsze korzystać z prawidłowo zainstalowanego gniazda z ochroną przeciwporażeniową.
- Należy zachować ostrożność, aby nie uszkodzić wyposażenia elektrycznego, takiego jak wtyczki, przewód zasilający lub sprężarki. Jeżeli konieczna jest wymiana wyposażenia elektrycznego, należy skontaktować się z autoryzowanym centrum serwisowym lub elektrykiem.
- Przewód zasilający musi być umieszczony niżej niż wtyczka przewodu.

- Nie wolno jeść kostek lodu ani lizaków zaraz po wyjęciu ich z zamrażarki – mogą powodować odmrożenia.
- Rozmrożonych produktów spożywczych nie wolno umieszczać w komorze na mrożonki.
- Należy postępować zgodnie z instrukcjami podanymi na opakowaniu żywności.

Oświetlenie wewnętrzne

⚠ OSTRZEŻENIE! Niebezpieczeństwo porażenia prądem elektrycznym.

- Żarówka używana w urządzeniu jest specjalnie zaprojektowana do urządzeń domowych i nieodpowiednia do oświetlania zwykłego pokoju w domu ((UE) 2019/2020).

Konserwacja i czyszczenie

⚠ OSTRZEŻENIE! Zagrożenie zranieniem osób lub uszkodzeniem urządzenia.

- Przed wykonaniem prac związanych z konserwacją należy wyłączyć urządzenie i odłączyć przewód zasilający od gniazda sieci elektrycznej.
- Moduł chłodzący urządzenia zawiera węglowodory. Prace związane z konserwacją i napełnianiem układu chłodzącego powinny być wykonywane wyłącznie przez wykwalifikowaną osobę.
- Należy regularnie sprawdzać i czyścić przewód odpływowy urządzenia, jeżeli jest to konieczne. Jeżeli przewód odpływowy jest zablokowany, w dolnej części urządzenia gromadzi się woda z roztopionego szronu.

Serwis

- Jeżeli konieczne jest wykonanie napraw, należy skontaktować się z autoryzowanym centrum serwisowym, korzystając z informacji podanych na końcu podręcznika.
- Należy używać wyłącznie oryginalnych części zamiennych.

Utylizacja

⚠ OSTRZEŻENIE! Ryzyko zranienia lub uduszenia.

- Należy odłączyć urządzenie od sieci elektrycznej.
- Należy odciąć i wyrzucić przewód zasilający.
- Należy zdemontować drzwi, aby zapobiec zamknięciu się dzieci lub zwierząt domowych wewnątrz urządzenia.
- Izolacja i obwód czynnika chłodniczego w urządzeniu nie zawierają substancji szkodliwych dla powłoki ozonowej.
- Pianka izolacyjna zawiera gaz łatwopalny. Aby uzyskać informacje dotyczące prawidłowej utylizacji urządzenia, należy skontaktować się z lokalnym urzędem administracji publicznej.
- Należy chronić przed uszkodzeniem część modułu chłodzącego znajdującą się w pobliżu wymiennika ciepła.

Producent nie bierze żadnej odpowiedzialności za obrażenia ciała osób lub zwierząt ani uszkodzenia mienia, jeśli użytkownicy nie zastosowali się do powyższych porad i środków bezpieczeństwa.

Instalacja

⚠ OSTRZEŻENIE! Przed instalacją urządzenia zapoznaj się ze zrozumieniem z zasadami bezpieczeństwa przedstawionymi w tej instrukcji obsługi.

Lista kontrolna dot. montażu

Drzwi

Drzwi szczelnie przylegają do obudowy wzdłuż wszystkich krawędzi

Drzwi są wypoziomowane

Poziomowanie

Lodówka jest wypoziomowana

Zasilanie elektryczne

Poczekaj cztery godziny

Zasilanie w budynku jest włączone

Lodówka jest podłączona

Końcowe czynności kontrolne

Materiały opakowania zostały usunięte

Ustawiono temperaturę w chłodziarce

Miejsce instalacji

- Urządzenie należy zainstalować zgodnie z oddzielnym podręcznikiem instalacji.
- Urządzenie należy zainstalować w pomieszczeniu, w którym temperatura otoczenia odpowiada klasie klimatycznej podanej na tabliczce znamionowej urządzenia. Zapewni to prawidłowe działanie urządzenia. Poniżej można znaleźć objaśnienie klas klimatycznych:

Klasa klimatyczna	Zakres temperatury otoczenia
SN	od +10°C do +32°C
N	od +16°C do +32°C
ST	od +16°C do +38°C
T	od +16°C do +43°C

- Oznaczenie „SN” jest stosowane w przypadku urządzeń chłodniczych, które mogą być użytkowane w temperaturze od 10°C do 32°C.

- Oznaczenie „N” jest stosowane w przypadku urządzeń chłodniczych, które mogą być użytkowane w temperaturze od 16°C do 32°C.

- Oznaczenie „ST” jest stosowane w przypadku urządzeń chłodniczych, które mogą być użytkowane w temperaturze od 16°C do 38°C.
- Oznaczenie „T” jest stosowane w przypadku urządzeń chłodniczych, które mogą być użytkowane w temperaturze od 16°C do 43°C.

❗ W przypadku niektórych modeli urządzenia ich użytkowanie poza dopuszczalnym zakresem temperatur może powodować problemy z funkcjonowaniem. Prawidłowe funkcjonowanie można zagwarantować wyłącznie w podanych zakresach temperatur.

W przypadku wątpliwości dotyczących instalacji należy skontaktować się z dystrybutorem, naszym biurem obsługi klienta lub najbliższym autoryzowanym centrum serwisowym.

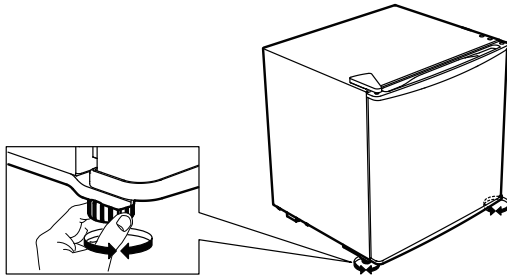
Lokalizacja

Aby zapewnić jak najlepszą wydajność, należy instalować urządzenie z dala od źródeł ciepła, takich jak grzejniki, kotły oraz bezpośrednio światło słoneczne. Należy upewnić się, że powietrze może swobodnie przepływać z tyłu obudowy.

Poziomowanie urządzenia

Jeżeli urządzenie przechyliło się na którąś stronę, wyreguluj dwie stopki z przodu urządzenia, aby wypoziomować urządzenie. Szczegółowe informacje znajdują się w oddzielnej instrukcji montażu.

1. Odłącz wtyczkę zasilającą urządzenia od gniazda zasilającego.
2. Obróć nóżkę zgodnie z ruchem wskazówek zegara, aby ją wydłużyć. Obróć nóżkę w lewo, aby ją skrócić.



Czyszczenie urządzenia

Przed użyciem urządzenia po raz pierwszy wyczyść je, by usunąć typowy zapach nowego produktu.

1. Upewnij się, że urządzenie jest odłączone od sieci elektrycznej.
2. Wytrzyj wnętrze urządzenia miękką, wilgotną szmatką.
3. Umyj akcesoria wewnętrzne w letniej wodzie z dodatkiem neutralnego mydła, a następnie dokładnie wysusz.

OSTROŻNIE!

Nie używaj środków ściernych, z chlorkiem lub kwaśnych ani rozpuszczalników.

- Nie używaj szorujących ani ściernych gąbek. Metalowe powierzchnie mogą ulec korozji.
- Nie myj akcesoriów w zmywarce. Mogą ulec zniekształceniu.

Połączenia elektryczne

⚠ **OSTROŻNIE!** Prace związane z zasilaniem, które trzeba przeprowadzić, aby można było zainstalować urządzenie należy zlecić wykwalifikowanemu elektrykowi lub osobie posiadającej odpowiednie kwalifikacje.

⚠ **OSTRZEŻENIE!** Urządzenie musi być uziemione. Ignorowanie tych instrukcji może spowodować pożar, porażenie prądem elektrycznym lub zgon.

Producent nie ponosi odpowiedzialności w przypadku niezastosowania się do powyższych zaleceń.

To urządzenie jest zgodne z dyrektywami EWG.

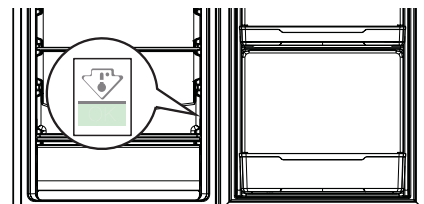
Pierwsze użycie

Podłączyć urządzenie do źródła zasilania. Fabrycznie ustawiono już najlepszą temperaturę do przechowywania żywności (średni poziom).

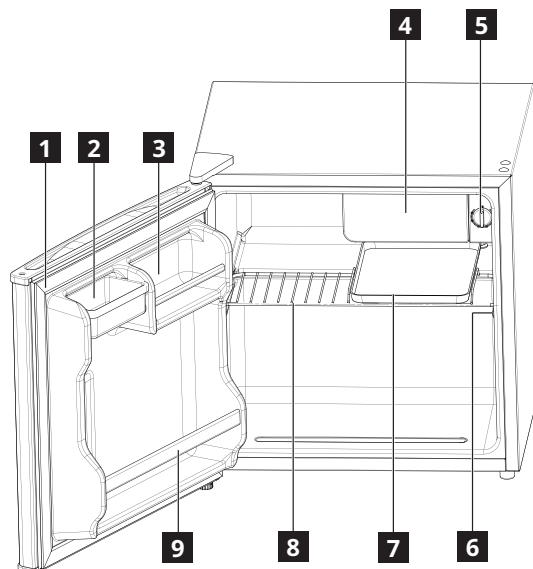
Uwaga: Po włączeniu urządzenie potrzebuje 4-5 godzin do osiągnięcia odpowiedniej temperatury do przechowywania typowej ilości żywności.

Ważne!

Zgodnie z przepisami obowiązującymi w niektórych krajach wymagane jest zastosowanie specjalnego urządzenia (patrz ilustracja poniżej) umieszczonego w dolnej komorze chłodziarki w celu wskazania najmniejszej strefy.

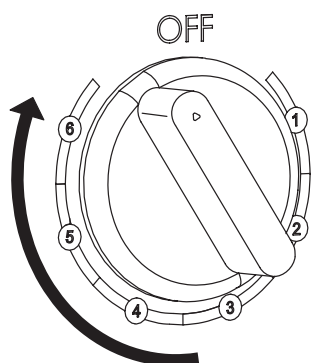


Opis urządzenia



- | | |
|--|--------------------------------------|
| 1 Uszczelka drzwi | 5 Regulator temperatury |
| 2 Pojemnik na drobne produkty spożywcze | 6 Tabliczka znamionowa |
| 3 Półka na napoje w puszkach | 7 Tacka do rozmrażania |
| 4 Komora schładzania | 8 Półka |
| | 9 Półka na napoje w butelkach |

Obsługa



- temperatura w pomieszczeniu,
- częstość otwierania drzwi,
- ilości przechowywanych produktów spożywczych,
- lokalizacja urządzenia.

Ważne! Jeżeli temperatura otoczenia jest wysoka lub urządzenie jest całkowicie wypełnione produktami spożywczymi i ustawiono najniższą temperaturę przy użyciu regulatora, urządzenie może działać w trybie ciągłym, co spowoduje pojawienie się szronu na tylnym panelu obudowy urządzenia. W takiej sytuacji należy ustawić wyższą temperaturę, aby umożliwić automatyczne odszranianie i zmniejszyć zużycie energii elektrycznej.

Wskazówki:

- Im niższa jest temperatura, tym dłużej można bezpiecznie przechowywać żywność oraz tym więcej energii zużywa urządzenie.
- Im wyższa jest temperatura, tym szybciej przechowywana żywność się psuje oraz tym mniej energii zużywa urządzenie.

Wyłączanie

Aby wyłączyć urządzenie, przekręć pokrętkę temperatury do pozycji „OFF”, a następnie odłącz wtyczkę zasilania od gniazda.

Włączanie

Podłącz wtyczkę zasilania do gniazda zasilania i dostosuj temperaturę. Urządzenie włączy się i zacznie pracować.

Dostosowanie temperatury

Temperatura jest regulowana automatycznie. Aby dostosować temperaturę:

- Przekręć pokrętkę temperatury w kierunku niższego ustawienia, by ją podnieść.
- Przekręć pokrętkę temperatury w kierunku niższego ustawienia, by ją obniżyć.

i Zazwyczaj optymalne jest ustawienie średnie. Wybierając ustawienie temperatury wewnątrz urządzenia, pamiętaj, że jest ona zależna od następujących czynników:

Codzienna użytkowanie

Porady dotyczące przechowywania świeżych produktów spożywczych

- Przykryj lub owiń produkty spożywcze, zwłaszcza o intensywnym aromacie.
- Należy umieszczać żywność tak, by umożliwić swobodną cyrkulację powietrza.
- Aby zapewnić najwyższą wydajność, pozostaw w chłodziarce odpowiednią ilość wolnej przestrzeni, która zapewni poprawną cyrkulację powietrza wokół produktów. Pozostaw też odpowiednią ilość miejsca z przodu, aby umożliwić szczelne zamykanie drzwi.
- Nie umieszczaj w lodówce ciepłych potraw ani parujących płynów.
- Potrawy gotowane i dania na zimno: przykryj i umieść na dowolnej półce.
- Owoce i warzywa: dokładnie oczyść i umieść w szufladzie na warzywa. Nie wolno przechowywać w lodówce bananów, ziemniaków, cebuli i czosnku bez opakowania.
- Masło i ser: umieść w specjalnych, szczelnych pojemnikach, woreczkach polietylenowych lub zawiń w folii aluminiowej, aby maksymalnie ograniczyć dostęp powietrza.
- Butelki: zamknij nakrętkami lub korkami i ustaw na balkonikach na drzwiach.

Wskazówki na temat oszczędzania energii

- Urządzenie należy zamontować w suchym, dobrze wentylowanym miejscu z dala od źródła ciepła (np. kaloryfera, kuchenki itd.), które nie jest wystawione na światło słoneczne. W razie potrzeby zamontować płytę izolacyjną.

- Aby zagwarantować poprawną wentylację, należy przestrzegać instrukcji montażu.
- Niewystarczająca wentylacja z tyłu produktu zwiększa pobór energii i zmniejsza wydajność chłodzenia.
- Temperatura wewnątrz urządzenia może zależeć od temperatury otoczenia, częstotliwości otwierania drzwi, a także lokalizacji urządzenia. Ustawienie temperatury powinno uwzględniać te czynniki.
- Ciepła żywność i napoje powinny ostygnąć przed wstawieniem ich do urządzenia.
- Nie wolno zasłaniać wylotu wentylatora (jeśli jest obecny) produktami żywnościowymi.
- Po włożeniu lub wyjęciu żywności z urządzenia upewnij się, że drzwi są zamknięte prawidłowo, szczególnie drzwi komory zamrażarki.
- Drzwi należy otwierać możliwie jak najrzadziej.
- Podczas rozmrażania zamrożonej żywności należy ją umieścić w lodówce. W ten sposób zamrożone produkty schładzają żywność w lodówce.
- Rozmieszczenie półek w lodówce nie ma wpływu na zużycie energii. Żywność należy umieszczać na półkach tak, aby zapewnić odpowiedni obieg powietrza (produkty żywnościowe nie powinny siebie dotykać i należy zachować odstępy między produktami i tylną ścianką).
- Uszkodzone uszczelki muszą być jak najszybciej wymienione.

Czyszczenie i konserwacja

Ogólne wskazówki

- Należy regularnie czyścić urządzenie szmatką oraz roztworem ciepłej wody i neutralnego detergentu przeznaczonego specjalnie do wnętrza lodówek. Nie wolno używać ściernych środków czyszczących ani narzędzi.
- Przed serwisowaniem lub czyszczeniem urządzenia należy je odłączyć od sieci lub odłączyć od źródła zasilania.

OSTROŻNIE! Nie wolno umieszczać akcesoriów lodówki w zmywarce.

Odszranianie urządzenia

- Urządzenie należy odszronić zawsze, gdy warstwa szronu na powierzchni parownika jest grubsza niż 3–4 mm.

- Przed odszranianiem usuń produkty spożywcze i wyłącz urządzenie. Pod parownikiem należy umieścić tackę odszraniania, by zbierała się w niej roztopiona woda.
- Po roztopieniu szronu wylej wodę, wysusz wnętrze urządzenia suchą szmatką i z powrotem włącz urządzenie.

Jeśli urządzenie nie będzie używane przez długi czas

1. Wyłącz urządzenie.
2. Odłącz urządzenie od sieci elektrycznej.
3. Usuń produkty spożywcze z urządzenia.
4. Rozmroź i wyczyść urządzenie.
5. Zostawić drzwi częściowo otwarte tak, by dopuścić powietrze do wnętrza komór. To pozwoli zapobiec tworzeniu się pleśni i nieprzyjemnych zapachów.

W przypadku braku zasilania

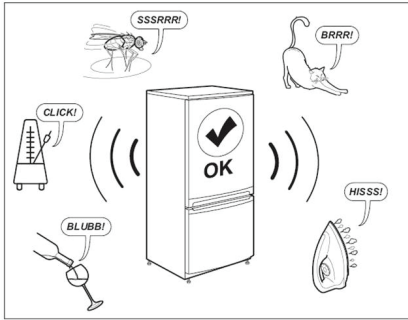
- Zostawić drzwi urządzenia zamknięte. Dzięki temu żywność pozostanie schłodzona możliwie jak najdłużej.

Rozwiązywanie problemów

Problem	Przyczyna	Rozwiązanie
Urządzenie nie działa.	Urządzenie jest wyłączone.	Włącz urządzenie.
	Wtyczka przewodu zasilającego nie jest prawidłowo podłączona do gniazda sieci elektrycznej.	Prawidłowo podłącz wtyczkę do gniazda.
	Brak napięcia w gnieździe sieci elektrycznej.	Aby sprawdzić, czy gniazdo sieciowe działa prawidłowo, podłącz do niego inne urządzenie elektryczne. Skontaktuj się z wykwalifikowanym elektrykiem w sprawie naprawy gniazda.
Urządzenie głośno pracuje.	Urządzenie nie jest ustawione stabilnie.	Wypoziomuj urządzenie. Więcej informacji można znaleźć w rozdziale „Poziomowanie urządzenia” lub oddzielnej instrukcji montażu.
Sprężarka pracuje bez przerwy.	Ustawiona temperatura jest zbyt niska.	Ustaw wyższą temperaturę. Przeczytaj rozdział „Obsługa”.
	Umieszczenie równocześnie zbyt dużej ilości produktów spożywczych w urządzeniu.	Odczekaj kilka godzin, a następnie ponownie sprawdź temperaturę.
	Temperatura w pomieszczeniu jest zbyt wysoka.	Przestaw urządzenie w inne miejsce, jeżeli jest to możliwe. Przeczytaj rozdział „Miejsce instalacji”.
	W urządzeniu umieszczono zbyt ciepłe produkty spożywcze.	Przed umieszczeniem produktów spożywczych w urządzeniu poczekaj na ich ostygnięcie do temperatury pokojowej.
	Drzwi urządzenia nie są prawidłowo zamknięte.	Przeczytaj rozdział „Zamykanie drzwi urządzenia”.
Temperatura w urządzeniu jest zbyt niska/wysoka.	Temperatura została ustawiona nieprawidłowo.	Ustaw wyższą/niższą temperaturę.
	Drzwi urządzenia nie są prawidłowo zamknięte.	Przeczytaj rozdział „Zamykanie drzwi urządzenia”.
	W urządzeniu umieszczono zbyt ciepłe produkty spożywcze.	Przed umieszczeniem produktów spożywczych w urządzeniu poczekaj na ich ostygnięcie do temperatury pokojowej.
	Umieszczenie równocześnie zbyt dużej ilości produktów spożywczych w urządzeniu.	Umieszczaj produkty spożywcze w urządzeniu małymi porcjami.
	Grubość szronu jest większa niż 4–5 mm.	Odszroń urządzenie.
	Drzwi były otwierane zbyt często.	Nie otwieraj drzwi bez potrzeby.
	Niewystarczający obieg zimnego powietrza we wnętrzu urządzenia.	Rozmieść żywność w urządzeniu tak, by umożliwić swobodny obieg powietrza.
Drzwi urządzenia są niedomknięte.	Przeczytaj rozdział „Zamykanie drzwi urządzenia”.	

Prawidłowe odgłosy pracy

Dźwięki, takie jak bulgot i syczenie, są normalnym zjawiskiem podczas pracy lodówki.



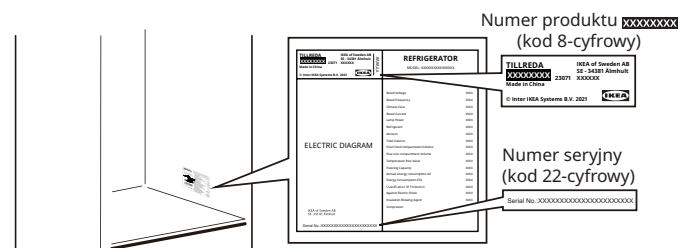
Zamykanie drzwi urządzenia

Objaw	Czynność do wykonania
Uszczelki drzwi są zabrudzone.	Oczyść je.
Uszczelki drzwi są uszkodzone.	Skontaktuj się z działem serwisowym, aby je wymienić.
Półki, szuflady lub żywność itd. uniemożliwiają prawidłowe zamknięcie drzwi.	Umieść żywność lub powyższe akcesoria prawidłowo lub wyjmij je z urządzenia.
Urządzenie nie jest wypoziomowane.	Wypoziomuj urządzenie. Więcej informacji można znaleźć w rozdziale „Pozymowanie urządzenia” lub oddzielnej instrukcji montażu.
Drzwi nie są wyrównane z obudową urządzenia.	Wyreguluj drzwi. Skorzystaj z oddzielnego podręcznika instalacji.

Przed skontaktowaniem się z serwisem posprzedażowym:

Ponownie uruchomić urządzenie, aby przekonać się, czy usterka została usunięta. Jeśli nie, wyłączyć urządzenie i powtórzyć czynność po godzinie. Jeśli urządzenie nadal nie działa poprawnie po wykonaniu czynności kontrolnych podanych w sekcji „Rozwiązywanie problemów” i ponownym włączeniu urządzenia, należy skontaktować się z działem serwisowym oraz przedstawić problem i podać:

- charakterystykę problemu
 - datę zakupu
 - model i numer seryjny urządzenia
- ❶ Numer artykułu i numer seryjny są podane na tabliczce znamionowej umieszczonej wewnątrz urządzenia po prawej stronie.



Rysunek tylko do celów referencyjnych


Informacje techniczne

Kategoria produktów	
Typ urządzenia	Lodówka
Typ instalacji	Wolnostojąca
Wymiary urządzenia	
Wysokość	492 mm
Szerokość	472 mm
Głębokość	450 mm
Pojemność netto	
Lodówka	43,0 litrów
System odszraniania	
Lodówka	Instrukcja obsługi
Pozostałe specyfikacje	
Klasa liczby gwiazdek	-
Czas wzrostu temperatury	-
Zużycie energii	80 kWh/rok
Poziom hałasu	41 dB(A)
Klasa energetyczna	E
Napięcie znamionowe	220–240 V~
Częstotliwość znamionowa	50 Hz
Źródło światła o klasie efektywności energetycznej	-

Uwaga: Dostęp do informacji na temat produktu w bazie danych produktu można uzyskać, skanując kod QR na etykiecie EPREL.

Ochrona środowiska

1. Materiały opakowania

Materiały przeznaczone do recyklingu oznaczono symbolem .

Aby materiały opakowania zostały przekazane do recyklingu, należy umieścić je w odpowiednim pojemniku.


Materiały opakowaniowe (worki plastikowe, części polistyrenowe itd.) należy chronić przed dziećmi, ponieważ mogą być dla nich niebezpieczne.

2. Usuwanie/utylicacja

Urządzenie wyprodukowano z wykorzystaniem materiałów przeznaczonych do recyklingu.

Urządzenie jest oznaczone zgodnie z europejską Dyrektywą 2002/96/WE w sprawie zużytego sprzętu elektrotechnicznego i elektronicznego (WEEE).

Zapewniając prawidłową likwidację tego urządzenia pomagasz zapobiegać negatywnemu wpływowi na środowisko i chronić zdrowie ludzkie.

Symbol  na urządzeniu lub jego dokumentacji

oznacza, że urządzenia nie można traktować jak odpadów komunalnych, ale należy je zwrócić do specjalnej placówki zajmującej się recyklingiem sprzętu elektrycznego i elektronicznego. W trakcie usuwania urządzenia należy wyłączyć je z dalszej eksploatacji przez przecięcie przewodu zasilającego i usunięcie drzwi i półek, aby dzieci nie mogły wspiąć się do środka i zostać w nim uwięzione.

Należy usuwać urządzenie zgodnie z miejscowymi przepisami o gospodarowaniu odpadami, przekazując je do placówki zajmującej się odbiorem takich odpadów; nie zostawiać urządzenia bez opieki nawet na kilka dni, ponieważ stanowi potencjalne zagrożenie dla dzieci.

Więcej informacji o sposobach postępowania z urządzeniem, jego odzyskaniu i recyklingu można uzyskać od właściwego organu miejscowego, ośrodka gospodarowania odpadami komunalnymi lub sklepu, w którym zakupiono urządzenie.

Deklaracja zgodności

- Niniejsze urządzenie zostało zaprojektowane do konserwacji żywności i wyprodukowane zgodnie z rozporządzeniem (WE) nr 1935/2004.



- Urządzenie zostało zaprojektowane, wyprodukowane i wprowadzone na rynek zgodnie z:
 - celami bezpieczeństwa Dyrektywy niskonapięciowej 2014/35/UE (która zastępuje

Dyrektywę 2006/95/WE z wszystkimi jej późniejszymi zmianami).

- wymagania ochronne Dyrektywy EMC 2014/30/UE.
- Urządzenie zostało zaprojektowane, wyprodukowane i wprowadzone na rynek zgodnie z:
 - Przepisy dotyczące kompatybilności elektromagnetycznej 2016
 - Przepisy (bezpieczeństwa) dotyczące sprzętu elektrycznego 2016



Gwarancja IKEA

Ile trwa okres gwarancyjny IKEA?

Gwarancja obowiązuje przez **dwa lata** od daty zakupu, o ile przepisy krajowe nie stanowią inaczej. W Norwegii, Portugalii i Hiszpanii gwarancja obowiązuje przez trzy lata od daty dostawy do klienta, o ile przepisy krajowe nie stanowią inaczej. W celu potwierdzenia zakupu należy przedłożyć oryginał paragonu lub fakturę. Wykonywanie napraw gwarancyjnych nie powoduje przedłużenia okresu gwarancyjnego.

Kto wykonuje usługi serwisowe?

Podmiot świadczący usługi na rzecz IKEA zapewnia serwis we własnych siedzibach lub przez sieć autoryzowanych partnerów serwisowych.

Jaki jest zakres gwarancji?

Niniejsza gwarancja obejmuje wady urządzenia w zakresie wykonania lub materiałów, wykryte od dnia jego zakupu w sklepie IKEA. Gwarancja dotyczy tylko użytku domowego. Wyjątki od powyższej zasady określono w rozdziale „Czego nie obejmuje niniejsza gwarancja?”. W okresie gwarancyjnym producent ponosi koszty usunięcia wad urządzenia, związane na przykład z naprawą, wymianą części, robocizną lub przejazdami jego personelu, pod warunkiem, że może uzyskać dostęp do urządzenia bez konieczności ponoszenia wyjątkowych kosztów. Są to warunki obowiązywania dyrektywy UE (nr 99/44/WE) i odpowiednich przepisów miejscowych. Wymienione części są własnością IKEA.

Jakie działania IKEA podejmuje w celu usunięcia zgłoszonych wad urządzenia?

Firma świadcząca usługi na rzecz IKEA sprawdzi urządzenie i ustali, czy naprawa zostanie dokonana w ramach gwarancji. Jeżeli uprawnienia gwarancyjne zostaną zweryfikowane pozytywnie, firma świadcząca usługi na rzecz IKEA naprawi wadliwe urządzenie lub wymieni je we własnym zakresie na takie samo lub równoważne urządzenie.

Czego nie obejmuje niniejsza gwarancja?

- Naturalne zużycie.
- Uszkodzenia umyślnego lub wynikającego z niedbalstwa, uszkodzenia spowodowanego nieprzestrzeganiem instrukcji obsługi, nieprawidłową instalacją lub podłączeniem do niewłaściwego źródła napięcia, uszkodzenia spowodowanego reakcją chemiczną lub elektrochemiczną, rdzą, korozją lub uszkodzeniem w wyniku działania wody, w tym uszkodzenia spowodowanego nadmiarem wapnia w wodzie z instalacji wodociągowych oraz uszkodzenia spowodowanego anomaliami pogodowymi.
- Materiały eksploatacyjne, takie jak baterie i żarówki.
- Wady części нефunkcjonalnych i dekoracyjnych, które nie wpływają na użytkowanie urządzenia, takie jak rysy i przebarwienia.
- Przypadkowe uszkodzenia spowodowane przez obce ciała lub substancje albo czyszczenie lub udrażnianie filtrów, przewodów odpływowych lub szuflad na detergent.
- Uszkodzenia części wykonanych ze szkła ceramicznego, akcesoriów, koszyków na naczynia i sztucze, przewodów dopływowych i odpływowych, uszczelek, lamp oraz ich pokryw, wyświetlaczy, pokręteł, obudów oraz ich elementów. Nie dotyczy to uszkodzeń wynikających ewidentnie z wad wykonania urządzenia.
- Usterki, których nie potwierdzono podczas wizyty technika.
- Uszkodzenia wynikające z napraw, które nie zostały wykonane przez serwis wyznaczony przez IKEA lub autoryzowanego partnera serwisowego IKEA, albo użycia nieoryginalnych części zamiennych.
- Uszkodzenia wynikające z instalacji nieprawidłowej lub niezgodnej ze specyfikacjami.
- Użytkowanie urządzenia w środowisku innym niż domowe to znaczy użycie go do celów komercyjnych.

- Uszkodzenia podczas transportu. Jeśli transportem produktu do domu lub pod inny adres zajmuje się klient, IKEA nie ponosi żadnej odpowiedzialności za ewentualne szkody, jakie mogą powstać podczas transportu. Jednakże, w sytuacji gdy produkt jest dostarczany do klienta przez IKEA, za jego ewentualne uszkodzenia powstałe podczas dostawy odpowiada IKEA.
- Koszt pierwszej instalacji urządzenia IKEA. Jednakże, jeśli urządzenie będzie naprawiane lub wymieniane przez wskazany przez IKEA serwis lub Autoryzowany Serwis Techniczny w ramach niniejszej gwarancji, zajmą się oni, w razie potrzeby, ponowną instalacją takiego naprawionego lub wymienionego urządzenia.

Powyższe zastrzeżenie nie dotyczy prac niezwiązanych z usterkami, wykonywanych przez wykwalifikowanych specjalistów z wykorzystaniem naszych oryginalnych części w celu przystosowania urządzenia do wymagań technicznych obowiązujących w innym kraju UE.

Stosowanie przepisów krajowych

Niniejsza gwarancja IKEA przyznaje Państwu określone uprawnienia, w uzupełnieniu do innych uprawnień, które mogą Państwu przysługiwać na mocy przepisów danego państwa. Te warunki nie ograniczają jednak uprawnień konsumenta wynikających z przepisów lokalnych.

Obszar obowiązywania

W przypadku urządzeń zakupionych w państwie członkowskim UE i przewiezionych do innego państwa członkowskiego UE usługi serwisowe świadczone będą na standardowych warunkach gwarancyjnych obowiązujących w państwie docelowym.

Usługi gwarancyjne są świadczone pod warunkiem, że urządzenie spełnia poniższe wymagania i jest zainstalowane zgodnie z nimi:

- specyfikacje techniczne obowiązujące w państwie, w którym jest zgłaszana reklamacja gwarancyjna;
- instrukcje podane w podręczniku instalacji i zalecenia dotyczące bezpieczeństwa, podane w podręczniku użytkownika.

Dedykowany dział serwisowy dla urządzeń IKEA

Prosimy o kontakt z działem serwisowym IKEA w następujących okolicznościach:

- Konieczne jest zarejestrowanie zgłoszenia serwisowego w ramach gwarancji;
- Konieczne jest uzyskanie informacji dotyczących montażu urządzenia IKEA w dedykowanych meblach kuchennych IKEA.
- uzyskanie informacji dotyczących działania urządzeń sprzedawanych w IKEA.

Aby zapewnić jak najlepszą pomoc z naszej strony, przed kontaktem z nami, prosimy o dokładne zapoznanie się z instrukcją zabudowy i/lub instrukcją obsługi.

Punkty serwisowe wyznaczone przez IKEA



Numery telefonów usług posprzedażowych rekomendowanych przez IKEA znajdziesz na końcu tego podręcznika użytkownika.

- ⓘ **Aby szybciej uzyskać pomoc techniczną, użyj numerów telefonów podanych na końcu tego podręcznika. Zawsze korzystaj z numerów podanych w podręczniku użytkownika dostarczonym razem z urządzeniem, dla którego chcesz uzyskać pomoc techniczną. Pamiętaj, by podać 8-cyfrowy numer artykułu i 22-cyfrowy numer seryjny ukazane na tabliczce znamionowej urządzenia.**

ⓘ ZACHOWAJ DOWÓD ZAKUPU!

Aby korzystać z usług gwarancyjnych, należy okazać oryginał paragonu lub faktury, potwierdzający zakup urządzenia. Dowód zakupu zawiera również nazwę oraz numer artykułu IKEA (ośmiocyfrowy kod) dla każdego z zakupionych urządzeń.

Czy potrzebujecie Państwo dodatkowej pomocy?

W przypadku dodatkowych pytań, które nie dotyczą urządzeń zakupionych w IKEA prosimy o kontakt z najbliższym centrum informacyjnym IKEA. Przed skontaktowaniem się z nami należy uważnie przeczytać dokumentację urządzenia.

Informacje o częściach zamiennych

- Następujące części zamienne będą dostępne dla punktów serwisowych przez okres co najmniej siedmiu lat od wprowadzenia do sprzedaży ostatniego egzemplarza tego modelu: termostaty, czujniki temperatury, płytki drukowane i źródła światła.
- Następujące części zamienne: uchwyty do drzwiczek, zawiasy do drzwiczek, palety i koszyki będą dostępne dla punktów serwisowych i użytkowników końcowych przez okres co najmniej siedmiu lat, natomiast uszczelki do drzwiczek przez okres co najmniej 10 lat od wprowadzenia do sprzedaży ostatniego egzemplarza tego modelu.

Części zamienne można zamówić w witrynie:

www.ikea.com

Содержание

Сведения по технике безопасности	169	Ежедневное использование.....	175
Инструкции по обеспечению безопасности.....	171	Очистка и обслуживание	176
Установка.....	172	Устранение неисправностей.....	176
Первое использование.....	174	Техническая информация.....	178
Описание изделия	174	Защита окружающей среды	178
Эксплуатация	174	Гарантия компании IKEA	179

Сведения по технике безопасности

Прежде чем устанавливать или использовать прибор, внимательно прочитайте руководство пользователя, входящее в комплект поставки. Производитель не несет ответственности за травмы и повреждения в результате неверной установки или ненадлежащего использования. Сохраните руководство пользователя для справки.

Безопасность детей и людей с ограниченными способностями



ПРЕДУПРЕЖДЕНИЕ:

Риск пожара/
легковоспламеняющиеся материалы

- Данный прибор может использоваться детьми в возрасте от 8 лет и выше, лицами с ограниченными физическими, сенсорными или умственными способностями, а также лицами, не обладающими достаточным опытом или знаниями, только в тех случаях, когда это использование осуществляется под наблюдением компетентных лиц или после инструктажа по технике безопасности и при понимании рисков, связанных с эксплуатацией данного оборудования. Детям не разрешается играть с устройством. Дети могут производить очистку и обслуживание прибора только под присмотром взрослых. Следите за тем, чтобы дети не играли с изделием.

- Данный прибор может использоваться детьми от 3 до 8 лет и лицами с существенно ограниченными возможностями только в тех случаях, когда они прошли надлежащий инструктаж.
- Дети младше 3 лет не должны допускаться к прибору без постоянного присмотра.
- Не позволяйте детям играть с прибором.
- Дети не должны выполнять очистку и обслуживание прибора без присмотра.
- Детям от 3 до 8 лет разрешено помещать продукты в холодильник и извлекать их оттуда.
- Храните всю упаковку вдали от детей и утилизируйте ее надлежащим образом.

Общие меры предосторожности

- Прибор предназначен для использования в домашних или в аналогичных условиях:
 - в комнатах отдыха персонала магазинов, офисов и других организаций;
 - в фермерских домах, отелях и мотелях и других жилых помещениях;
 - в хостелах типа «ночлег и завтрак»;
 - а также в местах общественного питания и подобных заведениях, не связанных с розничной торговлей.
- **ПРЕДУПРЕЖДЕНИЕ:** Следите за чистотой вентиляционных отверстий в корпусе прибора и шкафа, в который встроен прибор.

- **ПРЕДУПРЕЖДЕНИЕ:** Не пытайтесь ускорить разморозку с помощью механического или другого воздействия, если это не разрешено производителем.
- **ПРЕДУПРЕЖДЕНИЕ:** Следите за целостностью контура циркуляции хладагента.
- **ПРЕДУПРЕЖДЕНИЕ:** Не используйте электроприборы внутри камер для хранения продуктов, если это не разрешено производителем.
- **ПРЕДУПРЕЖДЕНИЕ:** Не пытайтесь очистить прибор с помощью пульверизаторов или пароочистителей.
- **ПРЕДУПРЕЖДЕНИЕ:** Очищайте прибор мягкой влажной тканью. Используйте только нейтральные чистящие средства. Не используйте абразивные чистящие средства и губки, растворители или металлические инструменты.
- **ПРЕДУПРЕЖДЕНИЕ:** Не храните в холодильнике взрывоопасные вещества, такие как баллоны с легковоспламеняющимся аэрозолем.
- **ПРЕДУПРЕЖДЕНИЕ:** Если провод питания поврежден, во избежание травм его необходимо заменить силами производителя, в официальном сервисном центре или у другого квалифицированного специалиста.
- **ПРЕДУПРЕЖДЕНИЕ:** Устанавливая прибор в помещении, убедитесь, что кабель питания не зажат и не поврежден.
- **ПРЕДУПРЕЖДЕНИЕ:** Не размещайте многоместные розетки или переносные источники питания сзади прибора.
- Открытие дверцы на длительное время может привести к значительному повышению температуры в камерах холодильника.
- Регулярно очищайте поверхности, соприкасающиеся с пищей, и доступные дренажные системы.
- Производите чистку емкостей для воды, если они не использовались в течение 48 часов. Если вода не использовалась в течение 5 дней, промойте систему подачи воды, подключенную к водопроводу.
- Храните сырое мясо и рыбу в подходящих контейнерах, чтобы они не соприкасались с другими продуктами.
- Если вы планируете оставить холодильник пустым на длительное время, выключите его, разморозьте, вымойте, высушите и оставьте дверцу открытой, чтобы предотвратить образование плесени внутри.
- Данный холодильник не предназначен для замораживания продуктов.
- Данный холодильник не предназначен для использования в качестве встроенного прибора.
- Отсеки для замороженных продуктов, помеченные двумя звездочками, пригодны для хранения предварительно замороженных продуктов, хранения или приготовления мороженого и кубиков льда.
- Отсеки, помеченные одной, двумя или тремя звездочками, непригодны для замораживания свежих продуктов.
- **ПРЕДУПРЕЖДЕНИЕ:** Чтобы избежать опасности из-за неустойчивости прибора, его следует закрепить в соответствии с инструкциями.

Инструкции по обеспечению безопасности

Установка

- ⚠ ПРЕДУПРЕЖДЕНИЕ!** Устанавливать данный прибор должен только квалифицированный специалист.
- Удалите все упаковочные материалы.
 - Не устанавливайте и не используйте прибор, если он поврежден.
 - Следуйте инструкции по установке, поставляемой с прибором.
 - Всегда будьте осторожны при перемещении прибора, так как он достаточно тяжелый. Всегда используйте защитные перчатки и закрытую обувь.
 - Будьте осторожны, чтобы не повредить полы (например, паркет) при перемещении прибора.
 - Не устанавливайте прибор рядом с источниками тепла.
 - Установите прибор на ровном полу, достаточно прочном, чтобы выдержать его вес, в месте, подходящем для его размера и удобного использования.
 - Следите за тем, чтобы воздух мог свободно циркулировать вокруг прибора.
 - При первой установке подождите не менее 4 часов перед подключением прибора к сети электропитания. Это необходимо, чтобы масло стекло обратно в компрессор.
 - Перед проведением каких-либо операций с прибором (например, при перестановке дверцы) выньте штепсельную вилку из розетки.
 - Прибор должен стоять задней панелью к стене.
 - Устанавливайте прибор так, чтобы на него не падали прямые солнечные лучи.
 - Не устанавливайте прибор в очень сырых или холодных помещениях, например в винных погребах.

Электрические подключения

- ⚠ ПРЕДУПРЕЖДЕНИЕ!** Опасность пожара и поражения электрическим током.
- ⚠ ПРЕДУПРЕЖДЕНИЕ!** Устанавливая прибор в помещении, убедитесь, что кабель питания не зажат и не поврежден.
- ⚠ ПРЕДУПРЕЖДЕНИЕ!** Не используйте многоштекерные адаптеры или удлинители.
- Прибор должен быть заземлен.
 - Убедитесь, что параметры на заводской табличке соответствуют параметрам сети электропитания.
 - Используйте только надлежащим образом установленные и защищенные розетки.

- Не допускайте повреждения электрических компонентов прибора (штепсельная вилка, шнур питания, компрессор). Для замены электрических компонентов обращайтесь в авторизованный сервисный центр или к опытному электрику.
- Шнур питания должен находиться ниже штепсельной вилки.
- Подключайте штепсельную вилку к электросети в только после установки прибора. После установки прибора убедитесь, что у вас есть свободный доступ к штепсельной вилке.
- Не тяните за шнур питания, чтобы отключить прибор от электросети. Тяните только за вилку.
- Примечание только для потребителей в Великобритании и Ирландии: Этот прибор оснащен штепсельной вилкой, рассчитанной на ток 13 А. Если необходимо заменить предохранитель штепсельной вилки, используйте только предохранители типа ASTA (BS 1362) номиналом 13 А.

Использование

- ⚠ ПРЕДУПРЕЖДЕНИЕ!** Риск возгорания, получения травм, ожогов и поражения электрическим током.



Трубки холодильного контура содержат небольшое количество экологически чистого, но легковоспламеняющегося хладагента R600a. Этот хладагент не повреждает озоновый слой и не усиливает парниковый эффект. При утечке хладагента он может повредить глаза или воспламениться. Не повреждайте трубки.

- При нормальной работе поверхность компрессора может нагреваться. Не прикасайтесь к ней голыми руками.
- Не пытайтесь изменить технические характеристики прибора.
- Не помещайте в холодильник электроприборы (например мороженицы), если это не разрешено производителем.
- В случае повреждения контура циркуляции хладагента убедитесь, что в помещении нет источников открытого пламени и искр. Проветрите комнату.
- Следите за тем, чтобы горячие предметы не касались пластиковых деталей прибора.
- Не храните бутылки с напитками в морозильной камере, так как они могут взорваться и повредить прибор.
- Не храните в холодильнике легковоспламеняющиеся жидкости и газовые баллончики.

- Не храните в приборе, на нем и рядом с ним легковоспламеняющиеся вещества и предметы, смоченные горючими жидкостями.
- Не прикасайтесь к компрессору и конденсатору. Они могут быть горячими.
- Не доставайте предметы из камеры для замороженных продуктов и не прикасайтесь к ним, если у вас мокрые руки.
- Не проглатывайте содержимое (нетоксичное) пакетов для льда.
- Не ешьте кубики льда или леденцы сразу после извлечения их из морозильной камеры, так как это может вызвать обморожение.
- Размороженные продукты не следует помещать снова в камеру для замороженных продуктов.
- Следуйте инструкциям по хранению, приведенными на упаковках пищевых продуктов.

Внутреннее освещение

⚠ ПРЕДУПРЕЖДЕНИЕ! Опасность поражения электрическим током.

- Внутри прибора установлена специальная лампа, которая не предназначена для освещения помещений в жилом доме (Регламент ЕС 2019/2020).

Обслуживание и очистка

⚠ ПРЕДУПРЕЖДЕНИЕ! Риск получения травм или повреждения прибора.

- Перед проведением обслуживания выключайте прибор и отключайте его от электросети.
- В охлаждающей системе прибора используются углеводородные соединения. Только квалифицированный специалист может выполнять техобслуживание и заправку прибора.

- Осмотрите сливное отверстие и при необходимости очистите его. Если отверстие забьется, в нижней части прибора будет скапливаться талая вода.

Обслуживание

- Для ремонта прибора обращайтесь в авторизованные сервисные центры, список которых приведен в конце настоящего руководства.
- Используйте только оригинальные запасные части.

Утилизация

⚠ ПРЕДУПРЕЖДЕНИЕ! Риск травм и удушья.

- Отключите прибор от электросети.
- Отрежьте шнур и утилизируйте его.
- Снимите дверцы, чтобы случайно не закрыть в приборе детей или домашних животных.
- Контур хладагента и изоляционные материалы этого прибора изготовлены на базе озоносберегающей технологии.
- Пеноизоляция содержит легковоспламеняющийся газ. Чтобы узнать, как правильно утилизировать прибор, свяжитесь с местной администрацией.
- Следите за тем, чтобы не повредить охлаждающую систему рядом с теплообменником.

В случае несоблюдения вышеуказанных рекомендаций и мер предосторожности производитель не несет ответственности за имущественный ущерб и/или травмы, полученные людьми или животными.

Установка

⚠ ПРЕДУПРЕЖДЕНИЕ! Перед началом установки этого прибора тщательно изучите сведения о технике безопасности, приведенные в этой брошюре.

Контрольный список монтажных работ

Дверца

- Дверца плотно прилегает к камере со всех сторон
- Дверца выровнена

Выравнивание

- Холодильник выровнен

Электропитание

- Подождите 4 часа
- Электропитание в доме включено
- Холодильник подключен к электросети

Окончательная проверка

- Упаковочные материалы удалены
- Температура в холодильной камере установлена

Размещение

- Для установки прибора следуйте отдельной монтажной инструкции.
- Прибор следует устанавливать в помещениях, температура воздуха в которых соответствует климатическому классу, указанному на паспортной табличке прибора. Это обеспечит нормальную работу прибора. Ниже приведено описание климатических классов:

Климатический класс	Диапазон температур окружающей среды
SN	от +10 до +32 °С
N	от +16 до +32 °С
ST	от +16 до +38 °С
T	от +16 до +43 °С

- «SN» указывает на то, что данный холодильник предназначен для использования при температуре окружающей среды в пределах от 10 до 32 °С.

- «N» указывает на то, что данный холодильник предназначен для использования при температуре окружающей среды в пределах от 16 до 32 °С.

- «ST» указывает на то, что данный холодильник предназначен для использования при температуре окружающей среды в пределах от 16 до 38 °С.

- «T» указывает на то, что данный холодильник предназначен для использования при температуре окружающей среды в пределах от 16 до 43 °С.

ⓘ При эксплуатации некоторых моделей приборов за пределами указанного диапазона температур возможны некоторые функциональные неполадки. Надлежащая работа прибора гарантирована только при эксплуатации в указанном температурном диапазоне. Если у вас есть какие-либо сомнения по поводу установки, обратитесь к продавцу, в нашу службу обслуживания клиентов или в ближайший авторизованный сервисный центр.

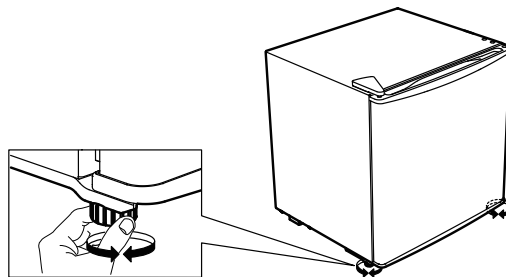
Место установки

Для оптимальной эффективности устанавливайте прибор вдали от источников тепла, таких как радиаторы отопления и бойлеры, а также берегите прибор от прямых солнечных лучей. Следите за тем, чтобы воздух мог свободно циркулировать вокруг задней панели прибора.

Выравнивание прибора

Если прибор наклонен в какую-либо сторону, отрегулируйте высоту ножек в передней части прибора, чтобы выровнять его. Для получения подробных сведений см. отдельную инструкцию по сборке.

1. Выньте штепсельную вилку из электрической розетки.
2. Поверните ножку по часовой стрелке, чтобы поднять прибор. Поверните ножку против часовой стрелки, чтобы опустить прибор.



Очистка прибора

Перед первым использованием прибора очистите его, чтобы удалить обычный запах нового изделия.

1. Отключите прибор от электросети.
2. Протрите внутренние поверхности мягкой, увлажненной тканью.
3. Промойте внутренние аксессуары теплой водой с нейтральным мыльным раствором, а затем тщательно высушите.

ВНИМАНИЕ!

Не используйте абразивные, хлоридные или кислотные чистящие средства или растворители.

- Не используйте острые или абразивные губки. Металлические поверхности могут подвергнуться коррозии.
- Не мойте принадлежности в посудомоечной машине. Они могут деформироваться.

Электрические подключения

⚠ **ВНИМАНИЕ!** Все электромонтажные работы, необходимые для установки данного прибора, должны выполняться квалифицированным электриком или другим компетентным специалистом.

⚠ **ПРЕДУПРЕЖДЕНИЕ!** Данный прибор должен быть заземлен. Несоблюдение данных инструкций может привести к смерти, возгоранию или поражению электрическим током.

Производитель не несет ответственности за любые последствия, если эти меры безопасности не соблюдены. Данный прибор соответствует директивам ЕЕС.

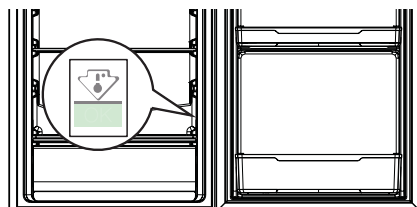
Первое использование

Подключите прибор к электросети. Оптимальные значения температуры для хранения пищевых продуктов уже установлены на заводе (средние).

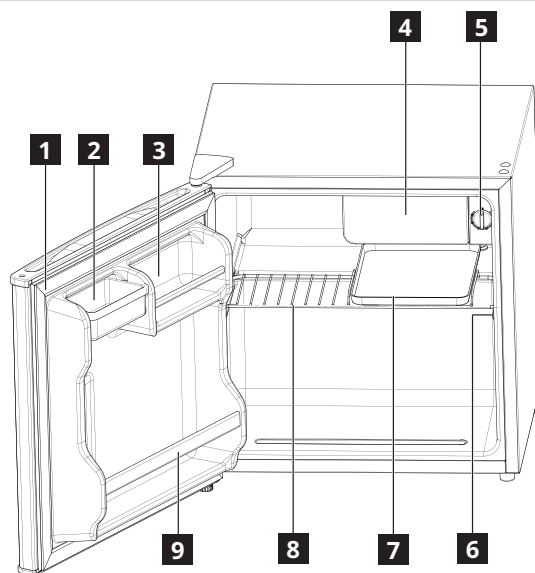
Примечание: После включения прибора для достижения заданной температуры потребуется 4–5 часов при наличии внутри номинального объема пищевых продуктов.

Важно!

В соответствии с правилами, действующими в некоторых странах, холодильник должен быть оборудован специальным устройством (см. рисунок ниже), которое размещается в нижней части холодильной камеры для указания самой холодной зоны в этой камере.



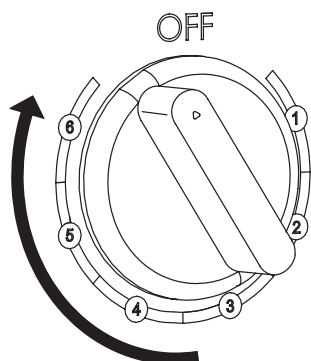
Описание изделия



- 1** Уплотнение дверцы
- 2** Контейнер для продуктов
- 3** Держатель банок
- 4** Морозильный отсек

- 5** Регулятор температуры
- 6** Паспортная табличка
- 7** Поддон для разморозки
- 8** Полка
- 9** Держатель для бутылок

Эксплуатация



Включение

Вставьте штепсельную вилку в розетку электросети и отрегулируйте температуру. Прибор включится и начнет работать.

Регулировка температуры

Температура регулируется автоматически. Чтобы отрегулировать температуру, выполните следующие действия:

- Чтобы повысить уровень охлаждения, поверните регулятор в сторону более низкой температуры.

- Чтобы понизить уровень охлаждения, поверните регулятор в сторону более высокой температуры.

ⓘ Как правило, рекомендуется использовать среднее значение.

Отрегулируйте температуру, имея в виду, что температура внутри прибора зависит от следующих факторов:

- температура воздуха в помещении
- частота открытия дверцы
- количество продуктов, которое хранится в холодильнике
- расположение прибора

Важно! Если холодильник стоит в теплом помещении или он полностью загружен, и при этом на нем установлена минимальная температура охлаждения, компрессор может работать непрерывно, что приведет к

образованию льда на задней панели. В этом случае рекомендуется установить более высокую внутреннюю температуру, чтобы обеспечить автоматическое размораживание и, следовательно, снизить потребление электроэнергии.

Советы:

- Чем ниже заданная температура, тем дольше можно безопасно хранить продукты питания, но тем больше потребление электроэнергии.
- Чем выше заданная температура, тем меньше срок хранения продуктов питания, но тем меньше потребление электроэнергии.

Выключение

Чтобы выключить прибор, поверните ручку регулятора температуры в положение «OFF», а затем извлеките штепсельную вилку из розетки электросети.

Ежедневное использование

Рекомендации по заморозке свежих продуктов

- Храните продукты накрытыми или завернутыми, особенно если они имеют сильный запах.
- Раскладывайте продукты таким образом, чтобы воздух мог свободно циркулировать вокруг них.
- Для лучшей производительности оставьте достаточно места в холодильной камере для циркуляции воздуха вокруг упаковок. Оставьте достаточно свободного места в передней части полок, чтобы дверь закрывалась плотно.
- Не храните в холодильнике теплые продукты или летучие жидкости.
- Приготовленные продукты и холодные блюда можно хранить на любой полке в закрытом виде.
- Фрукты и овощи тщательно вымойте и положите в ящик для овощей. Бананы, картофель, лук и чеснок не должны храниться в холодильнике без упаковки.
- Сливочное масло и сыр храните в специальном герметичном контейнере или заверните в алюминиевую фольгу (положите в полиэтиленовый пакет), чтобы исключить контакт с воздухом, насколько это возможно.
- Бутылки: закройте крышками и поместите на дверную полку.

Советы по энергосбережению

- Установите прибор в сухом, хорошо проветриваемом помещении вдали от источников тепла (таких как радиатора, печи и т. д.) и прямых солнечных лучей. При необходимости используйте изолирующую перегородку.

- Для обеспечения надлежащей вентиляции следуйте инструкциям по установке.
- Недостаточная вентиляция задней панели изделия увеличивает энергопотребление и снижает эффективность охлаждения.
- Температура внутри прибора может зависеть от температуры окружающей среды, частоты открытия дверец и местоположения прибора. При установке температуры рекомендуется учитывать эти факторы.
- Дайте теплым пищевым продуктам и напиткам остыть перед тем, как поместить их внутрь прибора.
- Не загромождайте вентилятор (при наличии) продуктами питания.
- Поместив продукты внутрь или забрав продукты, проверьте надежность закрытия двери. Это особенно касается двери морозильной камеры.
- Уменьшайте до минимума продолжительность и частоту открытия дверец.
- Для размораживания продуктов поместите их в холодильную камеру. Низкая температура замороженных продуктов будет способствовать охлаждению продуктов в холодильной камере.
- Расположение полок в холодильной камере не влияет на эффективное использование энергии. Продукты питания должны быть размещены на полках таким образом, чтобы обеспечить надлежащую циркуляцию воздуха (продукты не должны касаться друг друга, а между ними и задней стенкой должен оставаться определенный зазор).
- Поврежденные уплотнительные прокладки должны быть заменены как можно скорее.

Очистка и обслуживание

Общие практические рекомендации

- Регулярно очищайте прибор тканью и раствором горячей воды с нейтральным моющим средством, специально разработанным для обработки внутренних панелей холодильника. Не используйте для очистки абразивные средства.
- Перед обслуживанием и очисткой прибора отсоедините его от электросети или разомкните цепь электропитания.

ВНИМАНИЕ! Принадлежности холодильника не следует мыть в посудомоечной машине.

Размораживание прибора

- Размораживайте прибор, когда толщина слоя льда на поверхности испарителя достигает 3–4 мм.
- Перед размораживанием удалите все продукты и выключите прибор. Установите под испаритель поддон для сбора талой воды.

- После того, как весь лед растает, слейте талую воду, протрите внутренние поверхности прибора сухой тканью и снова включите его.

Если вы не собираетесь использовать прибор в течение длительного периода

1. Выключите прибор.
2. Отключите прибор от электросети.
3. Уберите из прибора все продукты.
4. Разморозьте и очистите прибор.
5. Оставьте дверцы широко открытыми, чтобы воздух мог циркулировать внутри камер. Это предотвратит образование плесени и неприятных запахов.

Действия в случае аварийного отключения электропитания

- Оставьте дверцы прибора закрытыми. Это позволит сохранить продукты холодными как можно дольше.

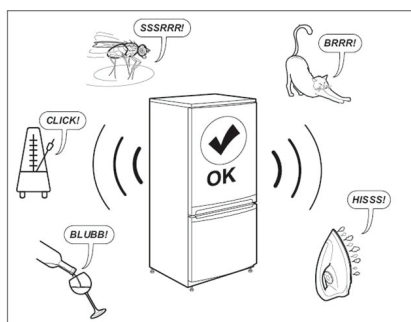
Устранение неисправностей

Проблема	Возможная причина	Метод устранения
Изделие не работает.	Прибор выключен.	Включите прибор.
	Штепсельная вилка неправильно подключена к электросети.	Вставьте вилку в розетку надлежащим образом.
	Нет напряжения в электросети.	Чтобы убедиться в исправности розетки электропитания, подключите к ней другой электроприбор. Чтобы отремонтировать розетку, обратитесь к квалифицированному электрику.
Прибор шумит.	Прибор неустойчив.	Выровняйте прибор. См. раздел «Выравнивание прибора» или отдельную инструкцию по сборке.
Компрессор непрерывно работает.	Установлена слишком низкая температура.	Установите более высокую температуру. См. раздел «Эксплуатация».
	В холодильнике находится слишком много пищевых продуктов.	Подождите несколько часов и проверьте температуру еще раз.
	Слишком высокая температура воздуха в помещении.	Переместите прибор в другое помещение, если возможно. См. раздел «Выбор места для установки».
	Продукты, помещенные в прибор, слишком горячие.	Дайте продуктам остыть до комнатной температуры, прежде чем класть их в холодильник.
	Неплотно закрыта дверца.	См. раздел «Как правильно закрыть дверцу».

Проблема	Возможная причина	Метод устранения
Температура в холодильнике слишком высокая/слишком низкая.	Температура установлена неверно.	Выберите нужную температуру.
	Неплотно закрыта дверца.	См. раздел «Как правильно закрыть дверцу».
	Продукты, помещенные в прибор, слишком горячие.	Дайте продуктам остыть до комнатной температуры, прежде чем класть их в холодильник.
	В холодильнике находится слишком много пищевых продуктов.	Уменьшите массу пищевых продуктов, находящихся в холодильнике.
	Толщина намерзшего льда более 4–5 мм.	Разморозьте прибор.
	Дверца открывалась слишком часто.	Открывайте дверцу только тогда, когда это необходимо.
	Циркуляция холодного воздуха внутри прибора недостаточна.	Разместите продукты таким образом, чтобы обеспечить свободную циркуляцию воздуха внутри прибора.
Дверца закрывается недостаточно плотно.	См. раздел «Как правильно закрыть дверцу».	См. раздел «Как правильно закрыть дверцу».

Нормальные шумы при эксплуатации

Небольшие шумы в холодильной системе, такие как бульканье и шипение, являются нормальным явлением.



Как правильно закрыть дверь

Неполадка	Решение
Загрязнены уплотнители двери.	Очистите уплотнители.
Уплотнители двери повреждены.	Свяжитесь с отделом послепродажного обслуживания для замены уплотнителей.
Закрытию двери мешают полки, ящики, продукты питания и т. п.	Уберите предметы, которые мешают закрыть дверь, или разместите их надлежащим образом.
Прибор не выровнен.	Выровняйте прибор. См. раздел «Выравнивание прибора» или отдельную инструкцию по сборке.

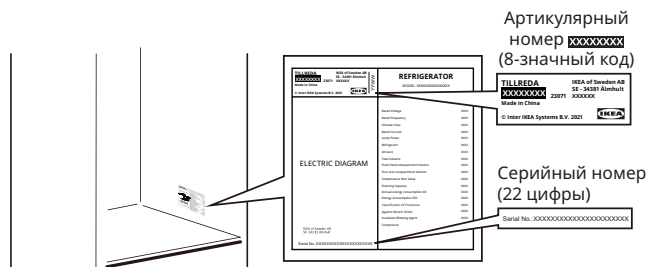
Неполадка	Решение
Дверь установлена неровно относительно корпуса прибора.	Выровняйте дверь. См. также отдельную инструкцию по сборке.

Перед обращением в отдел послепродажного обслуживания выполните следующие действия:

Перезапустите прибор, а затем проверьте, устранена ли неисправность. Если неисправность не устранена, выключите прибор снова и повторите операцию через час.

Если прибор все еще не работает должным образом после выполнения действий, перечисленных в руководстве по устранению неполадок, и повторного включения, обратитесь в службу послепродажного обслуживания и сообщите ее сотрудникам следующие сведения:

- характер проблемы
 - дата покупки
 - модель и серийный номер прибора
- ⓘ Артикулярный и серийный номера указаны на табличке, расположенной на правой внутренней панели прибора.



Изображение приведено только для справки


Техническая информация

Категория изделия	
Тип изделия	Холодильник
Тип установки	Отдельно стоящий прибор
Габариты изделия	
Высота	492 мм
Ширина	472 мм
Глубина	450 мм
Полезный объем	
Холодильная камера	43,0 л
Система разморозки	
Холодильная камера	Ручная
Прочие характеристики	
Количество звезд	–
Время повышения температуры	–
Потребляемая мощность	80 кВт·ч в год
Уровень шума	41 дБ (А)
Класс энергопотребления	Е
Номинальное напряжение	220–240 В перем. тока
Номинальная частота, Гц	50 Гц
Класс энергоэффективности лампы	–

Примечание: Чтобы получить дополнительную информацию о продукте из базы данных, отсканируйте QR-код на этикетке EPREL.

Защита окружающей среды

1. Упаковочные материалы

Утилизируемые материалы маркируются символом .


Положите упаковку в соответствующий контейнер для переработки.

Храните упаковочные материалы (полиэтиленовые пакеты, прокладки из полистирола и т. д.) в недоступном для детей месте, так как они являются потенциальным источником опасности.

2. Утилизация прибора

Прибор изготовлен с использованием материалов, пригодных для вторичной переработки.

Прибор маркируется согласно Европейской директиве 2002/96/ЕС по отходам электрического и электронного оборудования (WEEE). Обеспечивая правильную утилизацию этого прибора, вы предотвращаете потенциально негативное воздействие на окружающую среду и здоровье людей.

Символ  на приборе или на сопроводительных

документах указывает, что этот прибор не должен утилизироваться вместе с бытовыми отходами. Он должен быть доставлен в специальный центр сбора и утилизации электрического и электронного оборудования. При утилизации прибора сделайте его непригодным для использования, отрезав кабель питания и сняв двери и полки, чтобы дети не могли легко залезть внутрь и оказаться в ловушке.

Утилизируйте прибор в соответствии с местными правилами. Доставьте его в специальный центр сбора отходов. Не оставляйте прибор без присмотра даже на несколько дней, так как он является потенциальным источником опасности для детей.

Для получения более подробной информации об утилизации и переработке этого изделия обратитесь в муниципальные органы, службу утилизации бытовых отходов или в магазин, где вы приобрели это изделие.

Декларация соответствия

- Данный прибор предназначен для хранения пищевых продуктов. Он изготовлен в соответствии с Регламентом (ЕС) № 1935/2004.



- Этот прибор был разработан, изготовлен и продан в соответствии с:
 - требованиями к обеспечению безопасности Директивы 2014/35/EU «Низковольтное оборудование» (которая заменяет 2006/95/CE с последующими поправками);

- Директивы «Электромагнитная совместимость» (EMC) 2014/30/EU.
- Этот прибор был разработан, изготовлен и продан в соответствии с:
 - Регламентом по электромагнитной совместимости 2016 г.
 - Регламентом по обеспечению безопасности электрооборудования 2016 г.



Гарантия компании IKEA

Срок действия гарантии IKEA

Настоящая гарантия действует в течение **2-х лет** с даты покупки, если иное не предусмотрено законодательством страны. На территории Норвегии, Португалии и Испании гарантия действует в течение 3-х лет с даты доставки прибора покупателю, если иное не предусмотрено законодательством страны. Пожалуйста, сохраняйте чек как подтверждение факта и даты покупки. Проведение сервисных работ по гарантии не влечет за собой продление гарантийного срока оборудования.

Кем выполняется техобслуживание?

Компания IKEA будет предоставлять услуги через свои собственные центры техобслуживания или через авторизованные партнерские сети.

На что распространяется данная гарантия?

Данная гарантия распространяется на неисправности изделия, обусловленные дефектами конструкции или материалов, проявившимися после его покупки в магазине IKEA. Данная гарантия относится только к случаям бытового использования изделия. Все исключения указаны в пункте «На что не распространяется данная гарантия?» В рамках гарантии предусматривается возмещение затрат, связанных с устранением неисправностей, например затраты на ремонт, запасные части, выполнение работ и транспортные расходы, при условии, что доступ к изделию в целях ремонта не затруднен и не вызывает существенных расходов. В этих случаях применимы соответствующие местные правила и директива ЕС (№ 99/44/EG). Замененные запчасти переходят в собственность компании IKEA.

Что делает IKEA, чтобы устранить неисправность?

Специалисты поставщика услуг, назначенного компанией IKEA, осмотрят изделие и решат по своему усмотрению, распространяется ли на него гарантия. Если изделие будет признано подлежащим гарантийному обслуживанию, сотрудники сервисного центра компании IKEA или

поставщика услуг, назначенного этой компанией, по своему усмотрению отремонтируют изделие или заменят его таким же или аналогичным прибором.

На что не распространяется данная гарантия?

- Естественный износ.
- Умышленные повреждения; повреждения вследствие небрежного обращения, обусловленные невнимательностью, несоблюдением инструкций по эксплуатации, неправильной установкой или подключением к электрической сети с напряжением, не соответствующим техническим требованиям прибора; повреждения, вызванные химическими или электрохимическими реакциями; повреждения, обусловленные ржавчиной, коррозией или воздействием воды, в том числе, но не ограничиваясь этим, повреждения, вызванные повышенной жесткостью воды, подаваемой в сети водоснабжения; повреждения, вызванные аномальными условиями окружающей среды.
- Расходные материалы и запчасти, в том числе батареи и лампочки.
- Повреждения нефункциональных и декоративных деталей, не влияющих на нормальную работу устройства, в том числе любые царапины или возможное различие в цвете.
- Случайные повреждения, вызванные присутствием инородных предметов и/или веществ, а также чисткой или устранением пробок в фильтрах, системах слива или дозаторах моющих средств.
- Повреждения деталей стеклокерамики, аксессуаров, корзин для посуды и столовых приборов, подающих и сливных труб, уплотнителей, ламп и плафонов для ламп, экранов, ручек, корпуса и частей корпуса. Исключениями являются случаи, когда может быть доказано, что причиной таких повреждений был производственный брак.
- Случаи, когда неисправность не может быть найдена во время осмотра техническим специалистом.

- Повреждения в результате ремонта, выполненного неуполномоченными обслуживающими организациями либо неавторизованными сервис-партнерами, а также ремонта с использованием неоригинальных запасных частей.
- Повреждения вследствие установки, выполненной с нарушением технических требований или инструкций.
- Повреждения, возникшие при бытовом использовании товара.
- Повреждения, возникшие при перевозке товара. Если покупатель самостоятельно отвозит товар домой или по другому адресу, IKEA не несет ответственности за повреждения, возникшие при перевозке. Тем не менее, если услуга доставки была заказана покупателем в IKEA, ответственность за все повреждения, возникшие при перевозке товара, несет компания IKEA.
- Услуга первоначальной установки не включена в стоимость изделия IKEA. Если уполномоченные IKEA обслуживающие организации или авторизованные сервис-партнеры осуществляют ремонт или замену бытового прибора в соответствии с условиями данной гарантии, уполномоченные обслуживающие организации или авторизованные сервис-партнеры обязуются при необходимости выполнить повторную установку отремонтированного или замененного бытового прибора.

Эти ограничения не распространяются на работы, которые выполняются квалифицированными специалистами с применением наших оригинальных запасных частей, чтобы адаптировать прибор к техническим требованиям безопасности, действующим в другой стране ЕС.

Применимость законодательства конкретной страны

Гарантия, предоставляемая IKEA, полностью покрывает или даже превышает все требования местного законодательства. Условия этой гарантии никоим образом не ограничивают права потребителя, устанавливаемые законодательством конкретной страны.

Сфера действия

Если изделие было приобретено в одной стране ЕС и перевезено в другую страну ЕС, гарантийное обслуживание будет производиться на условиях, действующих в другой стране.

Обязательства по гарантийному обслуживанию выполняются только в том случае, если изделие было установлено с соблюдением:

- технических требований, принятых в стране, где клиент обратился за гарантийным обслуживанием, а также;
- правил техники безопасности, приведенных в инструкции по сборке и в руководстве пользователя.

Авторизованный ЦЕНТР ПОСЛЕПРОДАЖНОГО ОБСЛУЖИВАНИЯ оборудования IKEA

Пожалуйста, обращайтесь к авторизованному поставщику услуг послепродажного обслуживания IKEA для:

- подачи заявки на выполнение гарантийного ремонта;
- запроса консультации по установке прибора IKEA в специальной кухонной мебели IKEA;
- разъяснения функций техники, купленной в магазине IKEA.

Для получения оптимального результата просим вас тщательно изучить инструкции по сборке и/или руководство пользователя перед обращением в сервисный центр.

Как связаться с нами, если вам нужна помощь



Номера телефонов поставщиков послепродажного обслуживания, уполномоченных компанией IKEA, приведены в конце настоящего руководства.

- i** Чтобы предоставить вам более быстрое обслуживание, мы рекомендуем использовать местные телефонные номера, указанные в настоящем руководстве. Когда вам нужна помощь, всегда звоните по телефонным номерам, указанным в руководстве конкретного прибора. Не забудьте указать 8-значный артикулярный номер изделия и 22-значный серийный номер, которые можно найти на паспортной табличке прибора.

- i** **ОБЯЗАТЕЛЬНО СОХРАНЯЙТЕ ЧЕК!** Чек является подтверждением покупки, его необходимо предъявлять при обращении за гарантийным обслуживанием. В чеке так же указаны наименование товара IKEA и его артикулярный номер (8-значный код изделия).

Нужна дополнительная помощь?

По всем дополнительным вопросам, не касающимся послепродажного обслуживания, обращайтесь в отдел обслуживания покупателей ближайшего магазина IKEA. Пожалуйста, тщательно изучите сопроводительные документы перед обращением.

Информация о запасных частях

- Следующие запасные части: термостаты, датчики температуры, печатные платы и лампы будут доступны для специалистов по выполнению ремонтных работ в течение как минимум семи лет после выпуска на рынок последней партии приборов данной модели.
- Следующие запасные части: дверные ручки, дверные петли, лотки и контейнеры будут доступны для специалистов по выполнению ремонтных работ и конечных пользователей в течение как минимум семи лет, а прокладки дверей — в течение как минимум 10 лет после выпуска на рынок последней партии приборов данной модели.

Запасные части см. на веб-сайте www.ikea.com

Obsah

Bezpečnostné informácie	182	Každodenné používanie.....	187
Bezpečnostné pokyny	183	Čistenie a údržba	187
Inštalácia	185	Riešenie problémov	188
Prvé použitie.....	186	Technické informácie.....	190
Popis výrobku.....	186	Ochrana životného prostredia	190
Prevádzka.....	186	Záruka IKEA.....	191

Bezpečnostné informácie

Pred inštaláciou a používaním spotrebiča si pozorne prečítajte priložený návod na používanie. Výrobca nenesie zodpovednosť, ak pri nesprávnej inštalácii a používaní dôjde k úrazu alebo škodám. Návod na používanie uchovávajte vždy v blízkosti spotrebiča, aby ste doň mohli v budúcnosti nahliadnuť.

Bezpečnosť detí a zraniteľných osôb



VAROVANIE: Riziko požiaru/horľavé materiály

- Tento spotrebič môžu používať deti staršie ako 8 rokov a osoby so zníženými fyzickými, zmyslovými alebo psychickými schopnosťami alebo nedostatkom skúseností a znalostí, iba ak sú pod dozorom inej osoby alebo ak boli inou osobou poučené o bezpečnom používaní spotrebiča a ak rozumejú prípadným rizikám. Deti sa so zariadením nesmú hrať. Čistenie a používateľskú údržbu nesmú vykonávať deti bez dozoru. Deti musia byť pod dozorom, aby sa zabezpečilo, že sa so spotrebičom nehrajú.
- Tento spotrebič môžu používať deti vo veku od 3 do 8 rokov a osoby s veľmi rozsiahlym a komplexným postihnutím, ak boli riadne poučené.
- Deti mladšie ako 3 roky by sa mali držať od spotrebiča ďalej, pokiaľ nie sú pod neustálym dozorom.
- Nedovoľte, aby sa deti hrali so spotrebičom.
- Deti nesmú vykonávať čistenie a údržbu spotrebiča bez dozoru.

- Deti vo veku od 3 do 8 rokov môžu nakladať a vykladať veci z chladiacich zariadení.
- Všetky obaly uchovávajte mimo dosahu detí a náležite ich zlikvidujte.

Všeobecné bezpečnostné pokyny

- Tento spotrebič je určený na používanie v domácnostiach a podobnom prostredí, ako napr.:
 - kuchynským personálom v obchodoch, kanceláriách a na ďalších pracoviskách;
 - na farmách a klientmi v hoteloch, motelloch a iných ubytovacích zariadeniach;
 - v zariadeniach poskytujúcich nocľah s raňajkami;
 - v zariadeniach s priestormi na prípravu pokrmov a podobné nekomerčné použitie.
- **VAROVANIE:** Vetracie otvory na telese spotrebiča a na vstavanej konštrukcii musia zostať voľné.
- **VAROVANIE:** Na urýchlenie odmrazovania nepoužívajte mechanické nástroje ani iné prostriedky, ak ich neodporučil výrobca.
- **VAROVANIE:** Nepoškodte chladiaci okruh.
- **VAROVANIE:** V priestoroch spotrebiča určených na skladovanie potravín nepoužívajte elektrické spotrebiče, ak ich neodporučil výrobca.
- **VAROVANIE:** Na čistenie spotrebiča nepoužívajte prúd vody ani paru.

- **VAROVANIE:** Spotrebič čistite vlhkou mäkkou handričkou. Používajte iba neutrálne čistiace prostriedky. Nepoužívajte abrazívne prostriedky, drôtenky, rozpúšťadlá ani kovové predmety.
- **VAROVANIE:** V spotrebiči neskladujte výbušné látky, ako napríklad spreje s horľavým plynom.
- **VAROVANIE:** Ak je poškodený prírodný kábel, musí ho vymeniť výrobca, autorizované servisné stredisko alebo podobne kvalifikovaná osoba, aby sa predišlo nebezpečenstvu.
- **VAROVANIE:** Pri umiestňovaní spotrebiča zabezpečte, aby napájací kábel nebol zachytený alebo poškodený.
- **VAROVANIE:** K zadnej časti spotrebiča neumiestňujte viacnásobné zásuvky ani prenosné napájacie zdroje.
- Dlhodobé otvorenie dverí môže spôsobiť značné zvýšenie teploty v priestoroch spotrebiča.
- Pravidelne čistite povrchy, ktoré môžu prísť do kontaktu s potravinami, a prístupné drenážne systémy.
- Ak sa nádrže na vodu nepoužívali 48 hodín, vyčistite ich. Ak voda nebola čerpaná po dobu 5 dní, prepláchnite vodný systém pripojený k vodovodnej sieti.
- Surové mäso a ryby skladujte v chladničke vo vhodných nádobách, aby sa nedostali do styku s inými potravinami ani na nich nekvapkali.
- Ak necháte chladiace zariadenie dlhý čas prázdne, vypnite ho, rozmrazte, vyčistite, vysušte a nechajte otvorené dvere, aby sa zabránilo tvorbe plesní v spotrebiči.
- Toto chladiace zariadenie nie je vhodné na mrazenie potravín.
- Toto chladiace zariadenie nie je určené na použitie ako zabudovaný spotrebič.
- Priestory na mrazené potraviny s dvoma hviezdikami sú vhodné na skladovanie vopred zmrazených potravín, na skladovanie alebo výrobu zmrzliny a na výrobu kociek ľadu.
- Jedno-, dvoj- a trojhviezdičkové priestory nie sú vhodné na mrazenie čerstvých potravín.
- **VAROVANIE:** Ak chcete predísť nebezpečenstvu v dôsledku nestability spotrebiča, musí byť pripevnený v súlade s pokynmi.

Bezpečnostné pokyny

Inštalácia

- ⚠ **VAROVANIE!** Tento spotrebič môže inštalovať iba kvalifikovaná osoba.
- Odstráňte všetok obalový materiál.
- Poškodený spotrebič neinštalujte ani nepoužívajte.
- Postupujte podľa pokynov na inštaláciu dodaných so zariadením.
- Pri premiestňovaní spotrebiča buďte vždy opatrní, pretože je ťažký. Vždy používajte ochranné rukavice a uzavretú obuv.
- Pri premiestňovaní spotrebiča dávajte pozor, aby ste nepoškodili podlahy (napr. parkety).
- Uistite sa, že spotrebič nie je v blízkosti zdroja tepla.
- Spotrebič nainštalujte a vyrovnajte na dostatočne pevnej podlahe, ktorá unesie jeho hmotnosť, a na mieste vhodnom pre jeho veľkosť a použitie.
- Uistite sa, že okolo spotrebiča môže voľne cirkulovať vzduch.
- Pri prvej inštalácii alebo po obrátení dverí počkajte najmenej 4 hodiny pred pripojením spotrebiča k zdroju napájania. Je to potrebné, aby olej stiekol späť do kompresora.

- Pred akýmkoľvek zásahom do spotrebiča (napr. Obrátenie dverí), vytiahnite zástrčku zo zásuvky.
- Zadnú stranu spotrebiča je potrebné umiestniť oproti stene.
- Neinštalujte spotrebič na miesta, kam dopadá priame slnečné svetlo.
- Zariadenie neinštalujte do priestorov, kde je príliš vlhko alebo chladno, napríklad do vínnej pivnice.

Zapojenie do elektrickej siete

- ⚠ **VAROVANIE!** Nebezpečenstvo požiaru a úrazu elektrickým prúdom.
- ⚠ **VAROVANIE!** Pri umiestňovaní spotrebiča zabezpečte, aby napájací kábel nebol zachytený alebo poškodený.
- ⚠ **VAROVANIE!** Nepoužívajte adaptéry s viacerými zástrčkami ani predĺžovacie káble.
- Spotrebič musí byť uzemnený.

- Uistite sa, že parametre na typovom štítku sú kompatibilné s elektrickými parametrami sieťového napájania.
- Vždy používajte správne nainštalovanú uzemnenú zásuvku.
- Dbajte na to, aby ste nepoškodili elektrické časti (napr. zástrčky napájacieho kábla, elektrický napájací kábel, kompresor). Ak je potrebná výmena elektrických častí, obráťte sa na autorizované servisné stredisko alebo elektrikára.
- Elektrický napájací kábel musí zostať vždy nižšie ako zástrčka napájacieho kábla.
- Zástrčku napájacieho kábla zapojte do zásuvky až na konci inštalácie. Uistite sa, že napájací elektrický kábel je po inštalácii prístupný.
- Pri odpájaní spotrebiča od elektrickej siete netahajte za napájací kábel. Vždy ťahajte za zástrčku napájacieho kábla.
- Iba pre Spojené kráľovstvo a Írsko: Tento spotrebič je vybavený 13 A sieťovou zástrčkou. Ak je potrebné vymeniť poistku napájacej zástrčky, použite len poistku typu 13 A ASTA (BS 1362).

Používanie

⚠ VAROVANIE! Nebezpečenstvo zranenia, popálenín, zásahu elektrickým prúdom alebo požiaru.



Trubice chladiaceho okruhu obsahujú malé množstvo chladiva R600a, ktoré je šetrné k životnému prostrediu, ale horľavé. Neničí ozónovú vrstvu a nezvyšuje skleníkový efekt. V prípade úniku chladiva môže dôjsť k zraneniu očí alebo zapáleniu. Nepoškodujte trubice.

- Počas normálnej prevádzky sa môže povrch kompresora zahriať. Nedotýkajte sa ho rukami.
- Nemeňte technické vlastnosti tohto zariadenia.
- Do spotrebiča nekladajte iné elektrické spotrebiče (napr. stroj na výrobu zmrzliny), pokiaľ nie sú na tento účel určené výrobcom.
- V prípade poškodenia chladiaceho okruhu zabezpečte, aby sa v miestnosti nenachádzali žiadne plamene ani zdroje iskier. Miestnosť dobre vyvetrajte.
- Zabráňte kontaktu horúcich predmetov s plastovými dielmi zariadenia.
- V mraziacom priestore neskladujte nápoje vo fľašiach, aby ste predišli prasknutiu alebo iným škodám.
- V zariadení neskladujte horľavé plyny ani kvapaliny.
- Horľavé látky ani predmety, ktoré sú nasiaknuté horľavými látkami, nekladajte do spotrebiča, do jeho blízkosti ani naň.
- Nedotýkajte sa kompresora ani kondenzátora. Sú horúce.

- Ak máte mokré alebo vlhké ruky, nevyberajte z priestoru na mrazené potraviny ani sa ich nedotýkajte.
- Neprehíťajte (netoxický) obsah balíčkov ľadu.
- Nejedzte kocky ľadu alebo ľadové lízanky bezprostredne po ich vybratí z mrazničky, pretože môžu spôsobiť popáleniny chladom.
- Rozmrazené jedlo by sa nemalo ukladať späť do priestoru na mrazené potraviny.
- Postupujte podľa pokynov na uchovávanie na obale potravín.

Vnútročné osvetlenie

⚠ VAROVANIE! Nebezpečenstvo úrazu elektrickým prúdom.

- Žiarovka použitá vo vnútri zariadenia je navrhnutá špeciálne pre domáce spotrebiče a nie je vhodná ako všeobecné osvetlenie miestností v domácnosti ((EÚ) 2019/2020).

Starostlivosť a čistenie

⚠ VAROVANIE! Hrozí nebezpečenstvo zranenia alebo poškodenia spotrebiča.

- Pred vykonávaním údržby spotrebič vypnite a vytiahnite jeho zástrčku zo sieťovej zásuvky.
- Tento spotrebič obsahuje v chladiacom agregáte uhľovodíky. Údržbu a nabíjanie jednotky môže vykonávať iba kvalifikovaná osoba.
- Pravidelne kontrolujte odtok spotrebiča a v prípade potreby ho vyčistite. Ak je odtok upchatý, rozmrazená voda sa bude zhromažďovať na dne zariadenia.

Servis

- Ak chcete spotrebič opraviť, obráťte sa na autorizované servisné stredisko uvedené na konci tejto príručky.
- Používajte iba originálne náhradné diely.

Likvidácia

⚠ VAROVANIE! Nebezpečenstvo poranenia alebo udusenía.

- Spotrebič odpojte od elektrickej siete.
- Odrežte napájací kábel a vyhodte ho.
- Odstráňte dvierka, aby ste zabránili uviaznutiu detí a domácich zvierat vo vnútri zariadenia.
- Chladiaci okruh a izolačné materiály tohto spotrebiča sú neškodné pre ozón.
- Penová izolácia obsahuje horľavý plyn. Informácie o správnej likvidácii spotrebiča vám poskytnú miestne komunálne úrady.
- Nepoškodte tú časť chladiacej jednotky, ktorá sa nachádza blízko výmenníka tepla.

Výrobca odmieta akúkoľvek zodpovednosť za poranenie osôb alebo zvierat alebo poškodenie majetku v prípade nedodržania vyššie uvedených rád a bezpečnostných opatrení.

Inštalácia

⚠ VAROVANIE! Pred inštaláciou spotrebiča si podrobne prečítajte bezpečnostné pokyny v tejto príručke.

Inštalačný kontrolný zoznam

Dvere

- Dvere úplne priliehajú spotrebič zo všetkých strán
- Dvere sú vyrovnané

Vyrovnanie

- Chladnička je vyrovnaná

Elektrický výkon

- Počkajte 4 hodiny
- Napájanie domácnosti je zapnuté
- Chladnička je zapojená

Záverčné kontroly

- Obalové materiály sú odstránené
- Nastavenie teploty chladničky

Umiestnenie

- Pri inštalácii tohto spotrebiča postupujte podľa samostatných pokynov na montáž.
- Toto zariadenie nainštalujte do priestorov, v ktorých teplota okolitého prostredia zodpovedá klimatickej triede uvedenej na typovom štítku zariadenia. Zabezpečte tým správnu prevádzku zariadenia. Vysvetlenie klimatických tried:

Klimatická trieda	Teplotný rozsah okolitého prostredia
SN	+10 °C až +32 °C
N	+16 °C až +32 °C
ST	+16 °C až +38 °C
T	+16 °C až +43 °C

- „SN“ znamená, že toto chladiace zariadenie je určené na použitie pri teplote okolia od 10 °C do 32 °C.

- „N“ znamená, že toto chladiace zariadenie je určené na použitie pri teplote okolia od 16 °C do 32 °C.

- „ST“ znamená, že toto chladiace zariadenie je určené na použitie pri teplote okolia od 16 °C do 38 °C.

- „T“ znamená, že toto chladiace zariadenie je určené na použitie pri teplote okolia od 16 °C do 43 °C.

ⓘ Pri niektorých modeloch spotrebičov sa môžu vyskytnúť určité funkčné problémy v prípade prevádzky mimo uvedeného teplotného rozsahu. Správnu prevádzku možno zaručiť len v rámci uvedeného teplotného rozsahu.

Ak máte akékoľvek otázky týkajúce sa inštalácie, obráťte sa na predajcu, na náš zákaznícky servis alebo na najbližšie autorizované servisné stredisko.

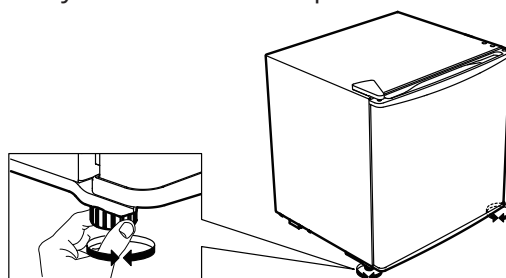
Umiestnenie

V záujme najlepšieho výkonu nainštalujte spotrebič v dostatočnej vzdialenosti od tepelných zdrojov, ako sú radiátory, ohrievače vody a priame slnečné svetlo. Zabezpečte, aby za zadnou stenou spotrebiča mohol voľne prúdiť vzduch.

Vyrovnanie spotrebiča

Ak sa spotrebič nejakým spôsobom nakláňa, upravte výšku dvoch predných nožičiek spotrebiča tak, aby bol spotrebič vyrovnaný. Podrobné pokyny nájdete v samostatných návodoch na montáž.

1. Odpojte sieťovú zástrčku spotrebiča zo zásuvky.
2. Otočením nožičky v smere hodinových ručičiek zdvihnete spotrebič. Otočením nožičky proti smeru hodinových ručičiek znížite spotrebič.



Čistenie spotrebiča

Pred prvým použitím spotrebiča ho vyčistite, aby ste odstránili typický zápach úplne nového výrobku.

1. Uistite sa, že je spotrebič odpojený od elektrickej siete.
2. Vnútrotný priestor utrite mäkkou navlhčenou handričkou.
3. Vnútrotné príslušenstvo umyte vlažnou vodou s trochu neutrálneho čistiaceho prostriedku a potom dôkladne osušte.

UPOZORNENIE!

Nepoužívajte abrazívne, chloridové alebo kyslé čistiace prostriedky ani rozpúšťadlá.

- Nepoužívajte brúsne ani abrazívne špongie. Kovové povrchy môžu skorodovať.
- Príslušenstvo nikdy neumývajte v umývačke riadu. Môže dôjsť k ich deformácii.

Zapojenie do elektrickej siete

⚠ UPOZORNENIE! Akékoľvek elektrické práce potrebné na inštaláciu tohto spotrebiča by mal vykonávať kvalifikovaný elektrikár alebo kompetentná osoba.

⚠ VAROVANIE! Tento spotrebič musí byť uzemnený. Nedodržanie týchto pokynov môže spôsobiť smrť, požiar alebo úraz elektrickým prúdom.

Výrobca odmieta akúkoľvek zodpovednosť v prípade nedodržania týchto bezpečnostných opatrení. Tento spotrebič spĺňa požiadavky smerníc EHS.

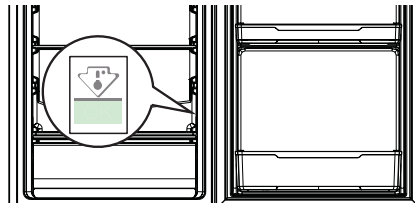
Prvé použitie

Pripojte spotrebič k zdroju napájania. Ideálne teploty na skladovanie potravín sú už nastavené z výroby (medziprodukt).

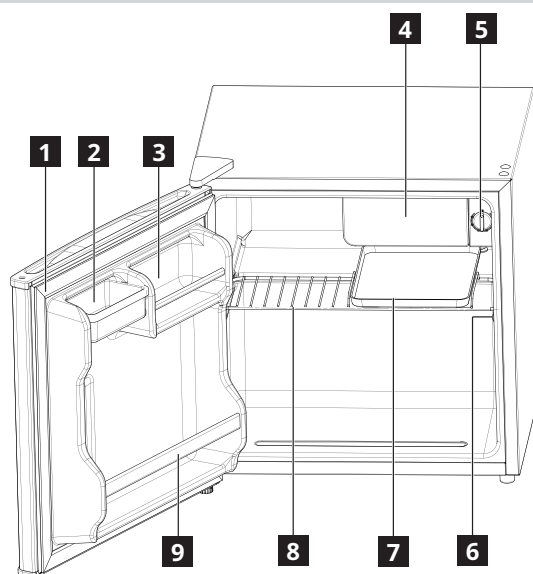
Poznámka: Po zapnutí potrebuje spotrebič 4 – 5 hodín na dosiahnutie správnej teploty na uskladnenie typického objemu potravín.

Dôležité!

V súlade s nariadeniami v niektorých krajinách musí byť tento spotrebič vybavený špeciálnym zariadením (pozri obrázok nižšie) umiestneným v dolnej časti chladiaceho priestoru spotrebiča, ktoré označuje najchladnejšiu zónu spotrebiča.



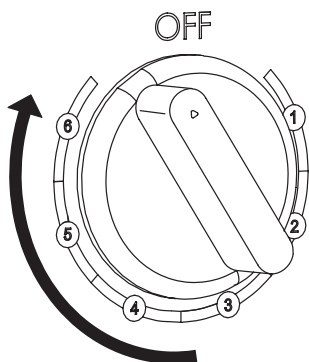
Popis výrobku



- 1** Tesnenie dverí
- 2** Úložný box
- 3** Držiak na plechovky
- 4** Chladiaci priestor

- 5** Regulátor teploty
- 6** Typový štítok
- 7** Podnos na odmrazovanie
- 8** Polica
- 9** Držiak na fľaše

Prevádzka



Zapnutie

Pripojte sieťovú zástrčku do elektrickej zásuvky a nastavte teplotu. Spotrebič sa zapne a začne fungovať.

Nastavenie teploty

Teplota sa reguluje automaticky.

Nastavenie teploty:

- Otočením regulátora teploty smerom k nižšiemu nastaveniu znížite chladenie.
- Otočením regulátora teploty smerom k vyššiemu nastaveniu zvýšite chladenie.

ⓘ Stredné nastavenie je vo všeobecnosti najvhodnejšie.

Upravte nastavenie teploty s ohľadom na to, že teplota vnútri spotrebiča závisí od:

- teploty v miestnosti,
- frekvencie otvárania dverí spotrebiča,
- množstva skladovaných potravín,
- umiestnenia spotrebiča.

Dôležité! Pri vysokej teplote okolia alebo pri úplnom naplnení spotrebiča a nastavení na najnižšiu teplotu môže spotrebič pracovať nepretržite, čo spôsobí tvorbu námrazy na zadnej stene. V takom prípade musí byť nastavená vyššia teplota, aby sa umožnilo automatické rozmrazovanie, a tým sa zníži spotreba energie.

Každodenné používanie

Rady na chladenie čerstvých potravín

- Potraviny zakryte alebo zabalte, najmä ak má výraznú arómu.
- Potraviny umiestnite tak, aby okolo nich mohol voľne cirkulovať vzduch.
- Ak chcete dosiahnuť najlepší výkon, v chladiacom priestore nechajte dostatok priestoru na cirkuláciu vzduchu okolo položiek. Dbajte na dostatok priestoru aj v prednej časti, aby sa dvere dali úplne zavrieť.
- Do chladničky nevkladajte teplé potraviny ani odparujúce sa kvapaliny.
- Varené potraviny a studené jedlá: prikryte a položte na akúkoľvek poličku.
- Ovocie a zelenina: dôkladne očistite a vložte do zásuvky na zeleninu. Banány, zemiaky, cibuľa a cesnak sa nesmú uchovávať v chladničke, ak nie sú balené.
- Maslo a syr: vložte do špeciálnej vzduchotesnej nádoby alebo zabalte do hliníkovej fólie, prípadne polyetylénového vrečka, aby ste odstránili čo najviac vzduchu.
- Fľaše: zatvorte ich uzáverom a umiestnite na panely dverí.

Tipy na úsporu energie

- Spotrebič inštalujte v suchej, dobre vetranej miestnosti, ďaleko od akéhokoľvek zdroja tepla (napr. radiátor, sporák atď.) a na mieste, ktoré nie je priamo vystavené slnečnému žiareniu. V prípade potreby použite izolačnú dosku.

Čistenie a údržba

Všeobecné tipy

- Zariadenie pravidelne čistite handričkou a teplou vodou s neutrálnym saponátom, ktorý je konkrétne určený na vnútorné priestory chladničiek. Nepoužívajte abrazívne čistiace prostriedky ani nástroje.

Tipy:

- Čím nižšia je teplota, tým dlhšie môžete bezpečne uskladniť potraviny a tým viac elektriny spotrebič spotrebuje.
- Čím vyššia je teplota, tým rýchlejšie sa uskladnené potraviny znehodnotia a tým menej elektriny spotrebič spotrebuje.

Vypnutie

Ak chcete spotrebič vypnúť, otočte gombíkom regulátora teploty do polohy „OFF“ a potom odpojte sieťovú zástrčku zo zásuvky.

- Na zaručenie dostatočného vetrania postupujte podľa pokynov na inštaláciu.
- Nedostatočné vetranie na zadnej strane výrobku zvyšuje spotrebu energie a znižuje účinnosť chladenia.
- Vnútorné teploty spotrebiča môžu byť ovplyvnené okolitou teplotou, frekvenciou otvárania dverí, ako aj umiestnením spotrebiča. Nastavenie teploty by malo zohľadňovať tieto faktory.
- Pred vložením teplých potravín a nápojov do spotrebiča ich nechajte vychladnúť.
- Ventilátor (ak je k dispozícii) nezakrývajte potravinami.
- Keď umiestnite alebo odoberiete potraviny, poriadne zatvorte dvere, predovšetkým dvere mrazničky.
- Znížte otvorenie dverí na minimum.
- Pri rozmrazovaní zmrazených potravín ich umiestnite do chladničky. Nízka teplota zmrazených výrobkov ochladzuje potraviny v chladničke.
- Umiestnenie políc v chladničke nemá vplyv na efektívne využívanie energie. Potraviny by mali byť na policiach umiestnené tak, aby sa zabezpečila správna cirkulácia vzduchu (potraviny by sa nemali navzájom dotýkať a mala by byť dodržaná vzdialenosť medzi potravinami a zadnou stenou).
- Poškodené tesnenia je potrebné vymeniť hneď, ako je to možné.

- Pred údržbou alebo čistením spotrebiča ho odpojte od elektrickej siete alebo odpojte prívod elektrického prúdu.

UPOZORNENIE! Príslušenstvo chladničky sa nesmie vkladať do umývačky riadu.

Odmrazenie spotrebiča

- Spotrebič odmrázajte vždy, keď vrstva námrazy na povrchu výparníka dosiahne hrúbku 3 až 4 mm.
- Pred odmrávaním vyberte všetky potraviny a spotrebič vypnite. Podložte podnos na odmrávanie pod výparník, aby sa v ňom zachytávala voda vznikajúca pri topení.
- Po roztopení všetkej námrazy vylejte roztopenú vodu, vysušte vnútro spotrebiča suchou handričkou a spotrebič opäť zapnite.

Ak zariadenie nebudete dlhšiu dobu používať

1. Vypnite zariadenie.
2. Zariadenie odpojte od elektrickej siete.
3. Vyberte všetky potraviny.
4. Rozmrázte zariadenie a vyčistite ho.
5. Dvere nechajte otvorené len natoľko, aby v priestoroch mohol cirkulovať vzduch. Zabráňte tak tvorbe plesní a nepríjemných pachov.

V prípade výpadku prúdu

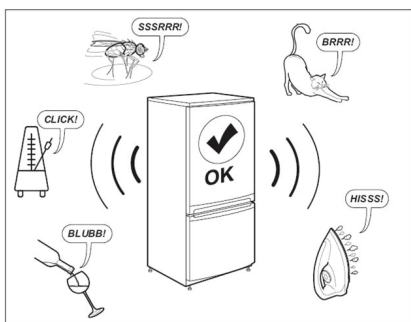
- Dvere spotrebiča nechajte zatvorené. Umožníte tak, aby potraviny zostali čo najdlhšie studené.

Riešenie problémov

Problém	Možná príčina	Riešenie
Spotrebič nefunguje.	Spotrebič je vypnutý.	Zapnite spotrebič.
	Zástrčka napájacieho kábla nie je správne zasunutá do sieťovej zásuvky.	Zapojte zástrčku napájacieho kábla správne do zásuvky elektrickej siete.
	Zásuvka elektrickej siete nie je pod napätím.	Ak chcete zistiť, či sieťová zásuvka funguje, pripojte k nej iný elektrický spotrebič. Obráťte sa na kvalifikovaného elektrikára so žiadosťou o opravu zásuvky.
Nadmerná hlučnosť spotrebiča.	Spotrebič nie je umiestnený stabilne.	Vyrovajte spotrebič. Pozri časť „Vyrovňovanie spotrebiča“ alebo samostatný návod na montáž.
Kompresor pracuje nepretržite.	Nastavená teplota je príliš nízka.	Nastavte vyššiu teplotu. Pozri časť „Prevádzka“.
	Bolo vložených mnoho potravín súčasne.	Počkajte niekoľko hodín a potom opäť skontrolujte teplotu.
	Okolité teplota v miestnosti je príliš vysoká.	Ak je to možné, zmeňte umiestnenie spotrebiča. Pozri časť „Umiestnenie“.
	Potraviny vložené do spotrebiča boli príliš teplé.	Pred uložením nechajte potraviny vychladnúť na izbovú teplotu.
	Dvere spotrebiča nie sú správne zatvorené.	Pozri časť „Zatvorenie dverí“.
Teplota vnútri spotrebiča je príliš nízka alebo príliš vysoká.	Teplota nebola správne nastavená.	Nastavte vyššiu alebo nižšiu teplotu.
	Dvere spotrebiča nie sú správne zatvorené.	Pozri časť „Zatvorenie dverí“.
	Potraviny vložené do spotrebiča boli príliš teplé.	Pred uložením nechajte potraviny vychladnúť na izbovú teplotu.
	Bolo vložených mnoho potravín súčasne.	Vložte menej potravín súčasne.
	Hrúbka námrazy je väčšia ako 4 – 5 mm.	Odmrázte spotrebič.
	Dvere boli príliš často otvárané.	Dvere otvárajte iba v prípade potreby.
	V spotrebiči nie je dostatočná cirkulácia studeného vzduchu.	Potraviny premiestnite tak, aby okolo nich mohol voľne cirkulovať vzduch.
Dvere sa úplne nezatvoria.	Pozri časť „Zatvorenie dverí“.	Pozri časť „Zatvorenie dverí“.

Bežné zvuky

Je normálne, že chladiaci systém vydáva určité zvuky, ako napríklad šumenie a syčanie.



Zatvorenie dverí

Ak	Urobte
Tesnenia dverí sú špinavé.	Vyčistite ich.
Tesnenia dverí sú poškodené.	Kontaktujte popredajné servisné stredisko so žiadosťou o ich výmenu.
Dvere blokujú police, zásuvky, potraviny atď.	Predmety, ktoré blokujú dvere, umiestnite správne alebo ich vyberte.
Spotrebič nie je vo vodorovnej polohe.	Vyrovnajzte spotrebič. Pozri časť „Vyrovnanie spotrebiča“ alebo samostatný návod na montáž.
Dvere nie sú zarovnané so skrinkou.	Nastavte dvere. Pozri samostatný návod na montáž.

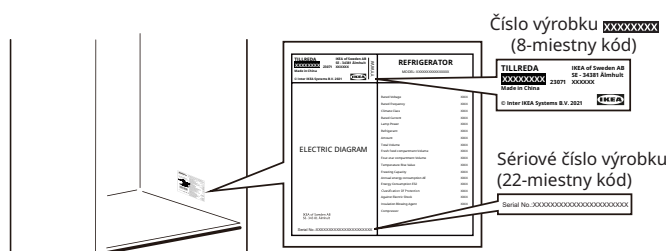
Pred kontaktovaním popredajného servisu:

Reštartujte spotrebič, aby ste zistili, či sa porucha odstránila. Ak pretrváva, spotrebič opäť vypnite a po hodine zopakujte operáciu.

Ak spotrebič ani po vykonaní kontrol uvedených v príručke na odstraňovanie porúch a po opätovnom zapnutí spotrebiča nefunguje správne, obráťte sa na popredajný servis, pričom jasne vysvetlite problém a uveďte:

- povahu problému
- dátum zakúpenia
- model a sériové číslo spotrebiča

❗ Číslo výrobku a sériové číslo sa nachádzajú na typovom štítku na vnútornej pravej strane spotrebiča.



Obrázok je určený len na referenčné účely


Technické informácie

Kategória výrobku	
Typ výrobku	Chladnička
Typ inštalácie	Voľne stojaca
Rozmery výrobku	
Výška	492 mm
Šírka	472 mm
Hĺbka	450 mm
Čistý objem	
Chladnička	43,0 l
Systém odmrazovania	
Chladnička	Manuálny
Ďalšie špecifikácie	
Hodnotenie formou hviezdíčiek	-
Čas zvyšovania teploty	-
Spotreba energie	80 kWh/rok
Hlučnosť	41 dB(A)
Energetická trieda	E
Menovité napätie	220 – 240 V, striedavý prúd
Menovitá frekvencia	50 Hz
Svetelný zdroj triedy energetickej účinnosti	-

Poznámka: Informácie o výrobku v databáze výrobkov možno získať naskenovaním QR kódu na štítku EPREL.

Ochrana životného prostredia

1. Obalové materiály

Recyklovateľné materiály sú označené symbolom . Obalové materiály vložte do príslušných kontajnerov na recykláciu.

Obalové materiály (plastové vrecká, polystyrénové časti atď.) uchovávajte mimo dosahu detí, pretože sú potenciálnym zdrojom nebezpečenstva.

2. Vyradenie/likvidácia

Spotrebič je vyrobený z recyklovateľných materiálov. Tento spotrebič je označený v súlade s európskou smernicou 2002/96/ES o odpade z elektrických a elektronických zariadení (OEEZ). Zabezpečením správnej likvidácie tohto zariadenia môžete pomôcť predchádzať možným negatívnym dopadom na životné prostredie a ľudské zdravie.

Symbol  na spotrebiči alebo na sprievodných

dokumentoch označuje, že s týmto spotrebičom sa nesmie zaobchádzať ako s domácim odpadom, ale musí sa odovzdať do špeciálneho zberného strediska na recykláciu elektrických a elektronických zariadení. Pri vyradovaní spotrebiča ho znefunkčnite odrezaním napájacieho kábla a odstránením dverí a políc tak, aby doň nemohli ľahko vliezť deti a uväzniť sa.

Spotrebič vyradte v súlade s miestnymi predpismi o likvidácii odpadu a odvezte ho do špeciálneho zberného strediska; spotrebič nenechávajte bez dozoru ani niekoľko dní, pretože je potenciálnym zdrojom nebezpečenstva pre deti.

Ďalšie informácie o spracovaní, zhodnotení a recyklácii tohto výrobku získate na príslušnom miestnom úrade, v zberni domového odpadu alebo v obchode, kde ste spotrebič zakúpili.

Vyhlasenie o zhode

- Toto zariadenie slúži na uskladnenie potravín a je vyrobený v súlade s nariadením (ES) č. 1935/2004.



- Tento spotrebič bol navrhnutý, vyrobený a uvedený na trh v súlade s:
 - bezpečnostnými cieľmi smernice 2014/35/EÚ o „nízkom napätí“ (ktorá nahrádza smernicu 2006/95/ES a jej následné zmeny);

- ochrannými požiadavkami smernice „EMC“ 2014/30/EÚ.
- Tento spotrebič bol navrhnutý, vyrobený a uvedený na trh v súlade s:
 - Nariadenia o elektromagnetickej kompatibilite 2016
 - Nariadenia o elektrických zariadeniach (bezpečnosť) 2016

**Záruka IKEA****Ako dlho platí záruka IKEA?**

Záruka je platná **2 roky** od dátumu zakúpenia, pokiaľ nie je vo vnútroštátnych právnych predpisoch uvedené inak. V Nórsku, Portugalsku a Španielsku platí záruka 3 roky od dátumu dodania zákazníkovi, pokiaľ nie je vo vnútroštátnych právnych predpisoch uvedené inak. Ako doklad o nákupe slúži pôvodný pokladničný blok. V prípade opravy počas platnosti záruky sa platnosť záruky spotrebiča nepredĺži.

Kto vykonáva servis?

Poskytovateľ servisu IKEA bude poskytovať servis prostredníctvom svojich vlastných servisných operácií alebo siete autorizovaných servisných partnerov.

Na čo sa vzťahuje záruka?

Záruka sa vzťahuje na poruchy spotrebiča spôsobené výrobnými alebo materiálovými chybami od dátumu nákupu v predajni IKEA. Záruka sa vzťahuje výhradne na spotrebiče používané v domácnosti. Výnimky sú uvedené pod titulom „Na čo sa nevzťahuje táto záruka?“ Počas doby platnosti záruky budú náklady na odstránenie porúch, napr. opravy, náhradné diely, prácu a dopravu, hradené za podmienky, že spotrebič bude prístupný na vykonanie opravy bez toho, že by boli nevyhnutné špeciálne výdavky. Na tieto podmienky sa vzťahujú usmernenia EÚ (č. 99/44/ES) a príslušné miestne vyhlášky. Vymenené náhradné diely sú vlastníctvom spoločnosti IKEA.

Čo urobí spoločnosť IKEA na nápravu problému?

Vymenovaný poskytovateľ služieb IKEA výrobok preskúma a na základe vlastného uváženia rozhodne, či sa naň vzťahuje táto záruka. Ak na výrobok vzťahuje táto záruka, poskytovateľ servisu IKEA alebo jeho autorizovaný servisný partner podľa vlastného uváženia prostredníctvom vlastných servisných operácií potom opraví chybný výrobok alebo ho nahradí rovnakým alebo porovnateľným výrobkom.

Na čo sa nevzťahuje táto záruka?

- Normálne opotrebovanie a poškodenie.
- Úmyselné poškodenie alebo poškodenie nedbalosťou, škody spôsobené nedodržaním pracovných postupov, nesprávna inštalácia alebo zapojenie do elektrickej siete s nesprávnym napätím, poškodenie spôsobené chemickou alebo elektrochemickou reakciou, hrdza, korózia alebo poškodenie vodou vrátane škôd spôsobených nadmerným množstvom vodného kameňa v dodávanej vode, ale nielen tým, škody spôsobené mimoriadnymi podmienkami životného prostredia.
- Spotrebný materiál vrátane batérií a žiaroviek.
- Časti bez funkcií a dekoračné časti, ktoré bežne neovplyvňujú normálne používanie spotrebiča, vrátane škrabancov a možných farebných zmien.
- Náhodné poškodenie spôsobené cudzími predmetmi alebo látkami, poškodenie čistiacich alebo uvoľnených filtrov, systém odvodu vody alebo zásuvky na saponáty.
- Poškodenie nasledujúcich častí: keramické sklo, príslušenstvo, koše na riad a príbor, prírodné a odtokové hadice, tesnenia, žiarovky a kryty osvetlenia, obrazovky, ovládacie gombíky, puzdrá a časti krytov. S výnimkou toho, že predmetné poškodenie je z dôvodu výrobnnej chyby.
- Prípady, keď počas návštevy technika nemohla byť zistená žiadna chyba.
- Opravy, ktoré neboli vykonané v autorizovanom stredisku a/alebo stredisku autorizovaného servisného partnera alebo prípady, kedy neboli použité originálne náhradné diely.
- Poruchy spôsobené nesprávnou inštaláciou alebo za nedodržania technických špecifikácií.
- Použitie spotrebiča v prostredí odlišnom od domácnosti, napr. profesionálne použitie.
- Poškodenia pri preprave. Ak zákazník prepravuje výrobok domov alebo na inú adresu, spoločnosť IKEA nepreberá žiadnu zodpovednosť za poškodenia spôsobené počas prepravy. V prípade, že výrobok na adresu zákazníka dopravuje spoločnosť IKEA, zodpovednosť za škody spôsobené pri preprave preberá spoločnosť IKEA.

- Náklady súvisiace s prvou inštaláciou výrobkov IKEA. Napriek tomu, ak zmluvný partner spol. IKEA alebo autorizovaný servisný partner vykoná opravu alebo výmenu za podmienok určených touto zárukou, poskytovateľ servisných služieb alebo autorizovaný servisný partner, podľa potreby, opäť nainštaluje opravený alebo nainštaluje vymenený spotrebič.

Tieto obmedzenia sa nevzťahujú na bezporuchovú prácu vykonávanú kvalifikovaným odborníkom použitím našich originálnych dielov s cieľom prispôsobiť spotrebič technickým bezpečnostným špecifikáciám inej krajiny EÚ.

Ako sa aplikujú vnútroštátne predpisy

Záruka IKEA vám poskytuje špecifické práva, ktoré sú v súlade alebo presahujúce súvisiace právne nároky platné v krajine. Napriek tomu, tieto podmienky neobmedzujú žiadne práva spotrebiteľa predpísané vnútroštátnymi zákonmi a predpismi.

Oblasť platnosti

U spotrebičov kúpených v jednej krajine EÚ a prenesených do inej krajiny EÚ budú servis poskytovať prevádzky servisu za normálnych záručných podmienok novej krajiny.

Povinnosť vykonania servisu v rámci záruky sa vzťahuje iba na spotrebiče, ktoré sú zapojené v súlade s:

- technickými požiadavkami platnými v krajine, v ktorej sa žiada o záruku;
- pokynmi na montáž a bezpečnostnými opatreniami uvedenými v návode na používanie.

Špecializovaný POPREDAJNÝ SERVIS pre spotrebiče IKEA

Neváhajte sa obrátiť na popredajný servis spoločnosti IKEA:

- požiadajte o servis v rámci tejto záruky;
- požiadajte o vysvetlenie inštalácie spotrebiča IKEA do určeného kuchynského nábytku IKEA;
- požiadajte o vysvetlenie funkcií spotrebičov IKEA.

Aby sa zabezpečilo, že naša pomoc bude čo najlepšia, prosíme, aby ste si predtým, ako nás budete kontaktovať, preštudovali Pokyny na inštaláciu a Návod na obsluhu spotrebiča.

Ako nás nájdete, ak potrebujete náš servis



Telefónne čísla poskytovateľov popredajných služieb určených spoločnosťou IKEA nájdete na konci tejto príručky.

- i** Aby sme vám mohli poskytnúť rýchlejší servis, odporúčame vám používať konkrétne telefónne čísla uvedené na konci tejto príručky. Vždy sa riadte telefónnymi číslami uvedenými v príručke ku konkrétnemu zariadeniu, v prípade ktorého potrebujete pomoc. Nezapodme uviesť 8-ciferné číslo tovaru a 22-ciferné sériové číslo uvedené na typovom štítku zariadenia.

- i** **ODLOŽTE SI POKLADNIČNÝ BLOK!** Je to doklad o nákupe a budete ho potrebovať pri požiadaní o záručnú opravu. Na pokladničnom bloku je okrem toho uvedený názov spotrebiča IKEA a číslo (8-znakový kód), a to pre každý spotrebič, ktorý ste si kúpili.

Potrebujete nejakú ďalšiu pomoc?

Ak máte nejaké ďalšie otázky netýkajúce sa záručnej opravy vášho výrobku, obráťte sa na zákaznícku linku spoločnosti IKEA. Odporúčame vám zoznámiť sa podrobne s dokumentáciou výrobku pred tým, než sa na nás obrátite.

Informácie o náhradných dieloch

- Nasledujúce náhradné diely budú k dispozícii pre profesionálnych opravárov po dobu sedem rokov od umiestnenia posledného kusu modelu na trh: termostaty, snímače teploty, dosky s plošnými spojmi a svetelné zdroje.
- Nasledujúce náhradné diely – kľučky na dvere, pánty dverí, zásuvky a koše – budú k dispozícii pre profesionálnych opravárov a koncových používateľov po dobu najmenej sedem rokov od umiestnenia posledného kusu modelu na trh, a tesnenia dverí po dobu najmenej 10 rokov.

Náhradné diely nájdete na stránke: www.ikea.com

Turinys

Saugos informacija	193	Kasdienis naudojimas	198
Saugos nurodymai.....	194	Valymas ir priežiūra	198
Įrengimas	196	Trikčių šalinimas.....	199
Pirmą kartą naudojant	197	Techninė informacija	201
Gaminio aprašymas.....	197	Aplinkosaugos klausimai	201
Naudojimas	197	IKEA garantija	202

Saugos informacija

Prieš montuodami ir naudodami aparatą, atidžiai perskaitykite pateiktas instrukcijas. Gamintojas neatsako už jokių sužalojimų ar žalą, kilusią dėl neteisingo įrengimo ar naudojimo. Būtinai kartu su aparatu saugokite instrukcijas ateičiai.

Vaikų ir pažeidžiamų žmonių saugumas



ĮSPĖJIMAS: Pavojus dėl gaisro / degių medžiagų

- Vyresni nei 8 metų vaikai ir asmenys, kurių fiziniai, jutimo arba protiniai gebėjimai riboti, arba kuriems trūksta patirties ir žinių, šiuo aparatu gali naudotis tik tuomet, jei yra prižiūrimi arba jiems suteikti nurodymai, kaip juo saugiai naudotis aparatu, ir jei jie supranta su aparato naudojimu susijusius pavojus. Neleiskite vaikams žaisti su prietaisu. Neprižiūrimiems vaikams draudžiama valyti ir prižiūrėti įrenginį. Vaikai turi būti prižiūrimi, kad jie nežaistų su prietaisu.
- 3-8 metų amžiaus vaikai ir asmenys, turintys labai didelių ir sunkių negalių, gali naudotis šiuo aparatu tik jeigu jiems suteikti tinkami nurodymai.
- Jaunesniems kaip 3 metų amžiaus vaikams negalima būti arti aparato, jei jie nėra nuolat prižiūrimi.
- Neleiskite vaikams žaisti su aparatu.
- Neprižiūrint, vaikams negalima valyti aparato bei atlikti jo priežiūros darbų.
- 3-8 metų amžiaus vaikams galima sudėti produktus į šaldymo aparatus ir išimti iš jų.

- Saugokite pakuotę nuo vaikų ir šalinkite ją tinkamai.

Bendroji sauga

- Šis aparatas skirtas naudoti buitiniams ir panašioms reikmėms, pvz.:
 - personalo virtuvėse, esančiose parduotuvėse, biuruose ir kitokioje darbo aplinkoje;
 - pvz., ūkiuose, taip pat viešbučiuose, moteliuose ir kitose gyvenamosiose patalpose;
 - svečių namų tipo aplinkoje;
 - maitinimo įstaigose ir panašiose ne mažmeninės prekybos vietose.
- **ĮSPĖJIMAS:** Pasirūpinkite, kad ventiliacijos angos aparato vidiniame įdėkle ar įmontuojamoje konstrukcijoje nebūtų uždengtos.
- **ĮSPĖJIMAS:** Atitirpinimo procesui paspartinti nenaudokite mechaninių įtaisų ar kitų priemonių, kurios nėra rekomenduotos gamintojo.
- **ĮSPĖJIMAS:** Neapgadinkite šaltnešio kontūro.
- **ĮSPĖJIMAS:** Maisto produktų laikymo skyriuose nenaudokite elektros prietaisų, kurie nėra rekomenduoti gamintojo.
- **ĮSPĖJIMAS:** Aparato valymui nenaudokite vandens pusrų ir garų.
- **ĮSPĖJIMAS:** Aparatą valykite drėgna minkšta audinio šluoste. Naudokite tik neutralius ploviklius. Nenaudokite abrazyvinių priemonių, šiurkščių šluosčių, tirpiklių ar metalinių daiktų.

- **ĮSPĖJIMAS:** Šiame aparate nelaikykite sprogstamųjų medžiagų, tokių kaip aerozolių balionėliai su degiomis suslėgtosiomis dujomis.
- **ĮSPĖJIMAS:** Jei tiekimo laidas pažeistas, jį turi pakeisti gamintojas, jo techninio aptarnavimo agentas arba panašią kvalifikaciją turintis asmenys, kad būtų išvengta pavojaus.
- **ĮSPĖJIMAS:** Statant aparatą, reikia būti atsargiems ir neprispausti bei nepažeisti maitinimo laido.
- **ĮSPĖJIMAS:** Neįtaisykite sudėtinųjų nešiojamųjų kištukinių lizdų ar maitinimo šaltinių už aparato.
- Ilgą laiką palikus duris atviras, gali gerokai pakilti temperatūra aparato skyriuose.
- Reguliariai valykite paviršius, prie kurių gali liestis maisto produktai; taip pat reguliariai valykite pasiekiamas vandens išleidimo sistemas.
- Išvalykite vandens talpyklas, jei jos nebuvo naudojamos 48 valandas; praplaukite prie vandentiekio prijungtą vandens sistemą, jei vanduo nebuvo išleidžiamas 5 dienas.
- Šviežią mėsą ir žuvį šaldytuve laikykite tinkamose talpyklose, kad šie produktai nesiliestų arba nevarvėtų ant kitų maisto produktų.
- Jeigu šaldymo aparatas ilgą laiką paliekamas tuščias, išjunkite jį, atitirpinkite, išvalykite, nusauskite ir palikite duris atviras, kad jame nesiformuotų pelėsiai.
- Šis šaldymo aparatas nėra tinkamas maisto produktams užšaldyti.
- Šis šaldymo aparatas nėra įmontuojamojo tipo.
- Dviem žvaigždutėmis paženklininti šaldyto maisto skyriai tinkami šaldytiems maisto produktams laikyti, ledams laikyti arba gaminti ir ledo kubeliams gaminti.
- Viena, dviem ir trimis žvaigždutėmis paženklininti skyriai nėra tinkami šviežiam maistui šaldyti.
- **ĮSPĖJIMAS:** Siekiant išvengti pavojaus, kurį gali kelti nestabiliai stovintis aparatas, jį būtina įtvirtinti laikantis instrukcijų.

Saugos nurodymai

Įrengimas

⚠ ĮSPĖJIMAS! Šį aparatą gali įrengti tik kvalifikuotas asmuo.

- Pašalinkite visą pakuotę.
- Nemontuokite ir nenaudokite apgadinto aparato.
- Laikykitės įrengimo instrukcijų, pateiktų kartu su aparatu.
- Būkite atsargūs perkeldami aparatą, nes jis sunkus. Būtinai mūvėkite apsaugines pirštines ir avėkite uždarą avalynę.
- Perkeldami prietaisą, būkite atsargūs, kad nepažeistumėte grindų (pvz., parketo).
- Įsitikinkite, kad prietaisas nėra arti šilumos šaltinio.
- Sumontuokite ir sulygiuokite prietaisą ant grindų, kurios būtų pakankamai tvirtos, kad atitiktų jo svorį, ir vietoje, tinkamoje jo dydžiui ir naudojimui.
- Užtikrinkite, kad aplink aparatą galėtų cirkuliuoti oras.
- Aparatą įrengus ar pakeitus durų varstymo kryptį, reikia palaukti ne mažiau kaip 4 valandas ir tik po to jį jungti prie maitinimo šaltinio. To reikia, kad alyva sutekėtų atgal į kompresorių.

- Prieš atliekant bet kokius veiksmus su aparatu (pvz., keičiant durų varstymo kryptį), reikia ištraukti maitinimo kištuką iš elektros lizdo.
- Aparato galinė dalis turi būti prie sienos.
- Neįrenkite aparato ten, kur patenka tiesioginiai saulės spinduliai.
- Neįrenkite šio aparato vietose, kuriose yra per drėgna arba per šalta, pavyzdžiui, vyno rūsiuose.

Elektros prijungimas

⚠ ĮSPĖJIMAS! Gaisro ir elektros smūgio pavojus.

⚠ ĮSPĖJIMAS! Statant aparatą, reikia būti atsargiems ir neprispausti bei nepažeisti maitinimo laido.

⚠ ĮSPĖJIMAS! Nenaudokite daugiajungčių adapterių ir ilginimo kabelių.

- Šis aparatas turi būti įžemintas.
- Elektros tiekimo tinklo parametrai turi būti suderinami su nurodytaisiais duomenų plokštelėje.
- Naudokite tik tinkamai įtaisytą smūgiams atsparų lizdą.

- Užtikrinkite, kad nebūtų apgadinti elektros komponentai (pvz., maitinimo kištukas, maitinimo kabelis, kompresorius). Susisiekite su įgaliotuoju priežiūros centru arba elektriku, kad pakeistų elektrinius komponentus.
- Tinklo maitinimo kabelis turi likti žemiau maitinimo kištuko lygio.
- Maitinimo kištukąjunkite į elektros lizdą tik įrengę aparatą. Užtikrinkite, kad įrengus aparatą, būtų galima prieiga prie maitinimo kištuko.
- Norėdami atjungti aparatą, netraukite suėmę už maitinimo kabelio. Traukite tik suėmę už maitinimo kištuko.
- Tik JK ir Airijoje:
Šiame aparate įtaisytas 13 A maitinimo kištukas. Jei būtina pakeisti maitinimo kištuko saugiklį, naudokite tik 13 A ASTA (BS 1362) saugiklį.

Naudojimas

⚠ ĮSPĖJIMAS! Sužalojimo, nudegimų, elektros smūgio ir gaisro pavojus.



Šaldymo kontūro vamzdžiuose yra nedidelis kiekis aplinkai nekenksmingo, bet degaus šaldymo skysčio R600a. Jis nekenkia ozono sluoksniui ir nedidina išmetamųjų teršalų šiltnamio efekto.

Ištekėjęs šaltnešis gali sužaloti akis arba užsidegti. Nepažeiskite vamzdžių.

- Kompresoriaus paviršius gali įkaisti aparatui įprastai veikiant. Nelieskite jo rankomis.
- Nekeiskite šio aparato specifikacijų.
- Nedėkite elektros prietaisų (pvz., ledų gaminimo aparatų) į aparatą, jei nėra gamintojo nurodyta, kad jie tam tinkami.
- Pažeidus šaltnešio kontūrą, įsitikinkite, ar patalpoje nėra liepsnos ir uždegimo šaltinių. Vėdinkite patalpą.
- Saugokite plastikines aparato dalis, kad prie jų nesiliestų karšti daiktai.
- Nelaikykite gėrimų buteliuose šaldiklio skyriuje, kad jie nesprogtų ar kitaip nebūtų pažeisti.
- Nelaikykite aparate degiųjų dujų ir skysčių.
- Nedėkite degių produktų arba daiktų, sudrėkintų degiais produktais, į aparatą, šalia arba ant jo.
- Nelieskite kompresoriaus ar kondensatoriaus. Jie yra karšti.
- Neimkite ir nelieskite produktų šaldyto maisto skyriuje drėgnomis ar šlapiomis rankomis.
- Negalima nuryti ledo paketų turinio (jis nėra toksiškas).
- Nevalgykite ledo kubelių ar ledo ledinukų iškart po to, kai juos išėmėte iš šaldiklio, nes jie gali sukelti šalčio nudegimus.
- Atitirpusių maisto produktų nepatartina dėti atgal į šaldyto maisto skyrių.
- Laikykites maisto produktų laikymo nurodymų, pateiktų ant pakuotės.

Vidinis apšvietimas

⚠ ĮSPĖJIMAS! Elektros smūgio pavojus.

- Aparato viduje naudojama lemputė yra specialiai sukurta buitiniams prietaisams ir netinka bendram patalpų apšvietimui namuose ((ES) 2019/2020).

Priežiūra ir valymas

⚠ ĮSPĖJIMAS! Sužalojimo ar aparato apgadinimo rizika.

- Prieš atlikdami priežiūros darbus, išjunkite aparatą ir ištraukite maitinimo kištuką iš elektros lizdo.
- Šio aparato aušinimo bloke yra angliavandenilių. Aušinimo bloko techninės priežiūros ir šaltnešio papildymo darbus gali atlikti tik kvalifikuotas asmuo.
- Reguliariai tikrinkite aparato vandens išleidimo sistemą, o prireikus ją išvalykite. Jei vandens išleidimo sistema užsikimšusi, atitirpęs vanduo kaupiasi aparato apačioje.

Aptarnavimas

- Jei aparatą reikia taisyti, susisiekite su įgaliotuoju priežiūros centru, nurodytu šio vadovo pabaigoje pateiktame sąraše.
- Naudokite tik originalias atsargines dalis.

Šalinimas

⚠ ĮSPĖJIMAS! Sužalojimų ar uždusimo rizika.

- Atjunkite aparatą nuo maitinimo tinklo.
- Nukirpkite maitinimo kabelį ir jį išmeskite.
- Nuimkite duris, kad vaikai ir naminiai gyvūnai negalėtų būti uždaryti aparato viduje.
- Šio aparato šaltnešio kontūras ir izoliacinės medžiagos yra neardančios ozono sluoksnio.
- Izoliacijos putose yra degiųjų dujų. Informacijos apie tai, kaip aparatą tinkamai šalinti, kreipkitės į savo vietos valdžios instituciją.
- Neapgadinkite aušinimo bloko dalies, esančios šalia šilumokaičio.

Gamintojas atsisako bet kokios atsakomybės už žmonių ar gyvūnų sužalojimą arba žalą turtui, jei nesilaikoma pirmiau pateiktų patarimų ir atsargumo priemonių.

Įrengimas

⚠ ĮSPĖJIMAS! Prieš montuodami aparatą, atidžiai perskaitykite šioje knygelėje pateiktą saugos informaciją.

Įrengimo kontrolinis sąrašas

Durys

- Durų sandarikliai iš visų pusių sandariai prispaudę prie šaldytuvo korpuso
- Durys sulygiuotos

Lygiavimas

- Šaldytuvas sulygiuotas

Elektros energija

- Palaukite 4 valandas
- Namų elektros energijos tiekimo šaltinis įjungtas
- Šaldytuvas į kištukinį elektros lizdą įjungtas

Galutinės patikros

- Gabenimo pakuotė nuimta
- Šaldytuvo temperatūra nustatyta

Padėties parinkimas

- Norėdami įrengti šį aparatą, vadovaukitės atskirai išleistomis surinkimo instrukcijomis.
- Šį aparatą reikia įrengti vietoje, kur aplinkos temperatūra atitinka klimato klasę, nurodytą aparato duomenų plokštelėje. Taip užtikrinamas tinkamas aparato veikimas. Toliau pateikiamas klimato klasių paaiškinimas:

Klimato klasė	Aplinkos temperatūros diapazonas
SN	Nuo +10 iki +32 °C
N	Nuo +16 iki +32 °C
ST	Nuo +16 iki +38 °C
T	Nuo +16 iki +43 °C

- „SN“ nurodo, jog šis šaldymo aparatas skirtas naudoti esant 10–32 °C aplinkos temperatūrai.
- „N“ nurodo, jog šis šaldymo aparatas skirtas naudoti esant 16–32 °C aplinkos temperatūrai.
- „ST“ nurodo, jog šis šaldymo aparatas skirtas naudoti esant 16–38 °C aplinkos temperatūrai.
- „T“ nurodo, jog šis šaldymo aparatas skirtas naudoti esant 16–43 °C aplinkos temperatūrai.

ⓘ Kai kuriems aparatų modeliams gali kilti tam tikrų funkcinių problemų, kai jie veikia už nustatytų temperatūros ribų. Tinkamas veikimas gali būti garantuojamas tik aparatą naudojant nurodytame temperatūros diapazone.

Kilus abejonėms dėl aparato įrengimo, kreipkitės į pardavėją, mūsų įmonės klientų aptarnavimo skyrių arba artimiausią įgaliojantį priežiūros centrą.

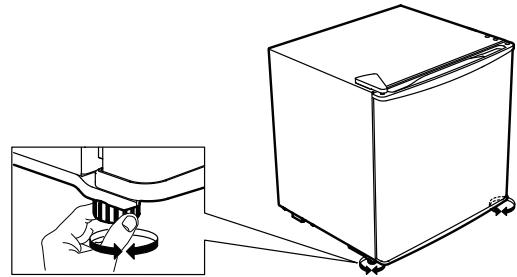
Vieta

Kad užtikrintumėte didžiausią našumą, montuokite prietaisą atokiau nuo šilumos šaltinių, pavyzdžiui, radiatorių, katilų, tiesioginių saulės spindulių. Įsitinkite, kad oras gali laisvai cirkuliuoti aplink galinę šadytuvo dalį.

Aparato subalansavimas

Jei aparatas šiek tiek pakryptų, pareguliuokite jo dviejų priekinių kojelių aukštį, kad aparatas stovėtų lygiai. Išsamius nurodymus žr. atskirai išleistose surinkimo instrukcijose.

1. Aparato maitinimo kištuką ištraukite iš elektros lizdo.
2. Pasukite kojelę pagal laikrodžio rodyklę, kad paaukštintumėte aparatą. Pasukite kojelę prieš laikrodžio rodyklę, kad pažemintumėte aparatą.



Aparato valymas

Prieš naudodami aparatą pirmą kartą, jį išvalykite, kad pašalintumėte tipiską naujo gaminio kvapą.

1. Įsitinkite, kad aparatas yra atjungtas nuo maitinimo šaltinio.
2. Vidų nuvalykite minkšta, sudrėkinta šluoste.
3. Vidinius priedus nuplaukite drungnu vandeniu su šiek tiek neutralaus muilo ir kruopščiai nusauskinkite.

DĖMESIO!

Nenaudokite abrazyvinių, chloridinių ar rūgštinių valymo priemonių ar tirpiklių.

- Nenaudokite šveičiamųjų ar abrazyvinių kempinių. Metaliniai paviršiai gali pradėti rūdyti.
- Niekada neplaukite priedų indaplove. Jie gali deformuotis.

Elektros prijungimas

⚠ DĖMESIO! Visus su aparato įrengimu susijusius elektros darbus turi atlikti kvalifikuotas elektrikas arba kompetentingas asmuo.

⚠ ĮSPĖJIMAS! Šis aparatas turi būti įžemintas. Nesilaikant šių nurodymų, kyla mirtinų sužalojimų, gaisro arba elektros smūgio pavojus.

Gamintojas neprisiima atsakomybės, jeigu nėra laikomasi šių saugos priemonių. Šis aparatas atitinka EEB direktyvas.

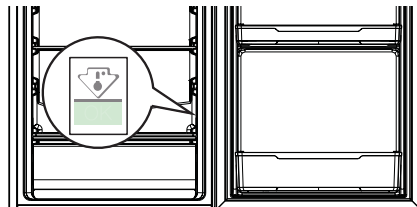
Pirmą kartą naudojant

Prijunkite prietaisą prie maitinimo šaltinio. Geriausia maisto produktų laikymo temperatūra jau yra nustatyta gamykloje (tarpinė).

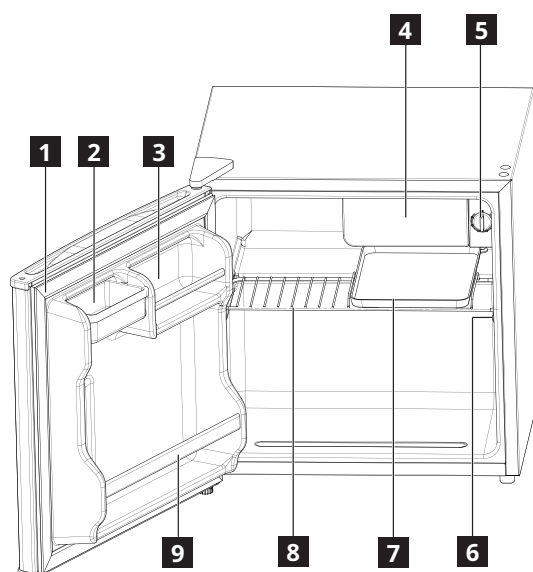
Pastaba: Įjungus aparatą, reikia 4–5 valandų, kol bus pasiekta tinkama temperatūra įprastam maisto kiekiui laikyti.

Svarbu!

Pagal kai kuriose šalyse taikomus reglamentus, apatiniame aparato šaldytuvo skyriuje turi būti įtaisytas specialus prietaisas (žr. paveikslėlį toliau), rodantis šalčiausią skyriaus zoną.



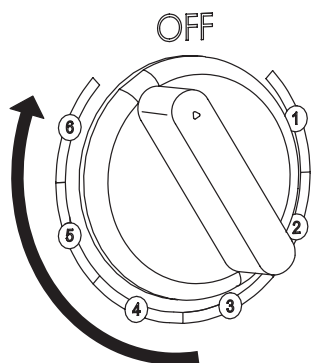
Gaminio aprašymas



- 1** Durų tarpiklis
- 2** Produktų laikymo dėžė
- 3** Skardinių laikiklis
- 4** Šaldymo skyrius

- 5** Temperatūros reguliatorius
- 6** Duomenų lentelė
- 7** Atšildymo padėklas
- 8** Lentynėlė
- 9** Butelių laikiklis

Naudojimas



Įjungimas

Įjunkite tinklo kištuką į elektros lizdą ir nustatykite temperatūrą. Aparatas įsijungs ir pradės veikti.

Temperatūros reguliavimas

Temperatūra reguliuojama automatiškai.

Norėdami sureguliuoti temperatūrą:

- Norėdami sumažinti šaltį, pasukite temperatūros reguliatorių į žemesnę padėtį.
- Norėdami padidinti šaltį, pasukite temperatūros reguliatorių į aukštesnę padėtį.

i Vidutinis nustatymas paprastai yra tinkamiausias.

Reguliuojant temperatūros parametrus, reikia nepamiršti, kad temperatūra aparato viduje priklauso nuo šių veiksnių:

- patalpos temperatūros,
- kaip dažnai atidaromos durys,
- laikomo maisto kiekio,
- prietaiso vietos.

Svarbu! Jeigu aplinkos temperatūra aukšta arba aparatas yra sklidinai prikrautas ir nustatyta žemiausia temperatūra, jis gali veikti be perstojo ir dėl to ant galinės sienelės gali susidaryti šerkšnas. Tokiu atveju reikia nustatyti aukštesnę temperatūrą, kad įsijungtų automatinio atitirpinimo funkcija ir aparatas pradėtų vartoti mažiau energijos.

Kasdienis naudojimas

Šviežių maisto produktų šaldymo patarimai

- Maisto produktus, ypač jei jie skleidžia stiprų kvapą, uždenkite arba įvyniokite į plėvelę.
- Maisto produktus išdėstykite taip, kad oras galėtų laisvai apie juos cirkuliuoti.
- Kad kuo efektyviau veiktų, šaldytuvo skyriuje palikite pakankamai vietos orui cirkuliuoti aplink pakuotes. Taip pat palikite pakankamai vietos priekyje, kad būtų galima sandariai uždaryti duris.
- Į šaldytuvą nedėkite šilto maisto ar garuojančių skysčių.
- Pagaminti valgiai, šaltieji patiekalai: uždenkite ir padėkite ant bet kurios lentynos.
- Vaisiai ir daržovės: kruopščiai nuplaukite ir sudėkite į specialų stalčių. Bananus, bulves, svogūnus ir česnakus šaldytuve galima laikyti tik supakuotus.
- Sviestas ir sūris: sudėkite į specialų hermetišką indą, įsukite į aliuminio foliją arba įdėkite į polietileno maišelį, stengdamiesi, kad į jį patektų kuo mažiau oro.
- Buteliai: uždarykite dangteliais ir sudėkite į dėklus durelėse.

Patarimai, kaip taupyti energiją

- Sumontuokite prietaisą sausoje, gerai vėdinamoje patalpoje, toli nuo bet kokio šilumos šaltinio (pvz., radiatoriaus, viryklės ir pan.), ir vietoje,

Patarimai:

- Kuo žemesnė nustatyta temperatūra, tuo ilgiau galite saugiai laikyti maistą ir tuo daugiau elektros energijos prietaisas sunaudoja.
- Kuo aukštesnė nustatyta temperatūra, tuo greičiau suyra saugomi maisto produktai ir tuo mažiau elektros energijos aparatas sunaudoja.

Išjungimas

Norėdami išjungti aparatą, pasukite temperatūros regulatoriaus rankenėlę į padėtį „OFF“ ir ištraukite kištuką iš elektros lizdo.

kurioje nėra tiesioginio saulės poveikio. Jei reikia, naudokite izoliacinę plokštę.

- Norėdami užtikrinti tinkamą ventiliaciją, vadovaukitės montavimo instrukcijomis.
- Nepakankamas vėdinimas galinėje gaminio dalyje didina energijos sąnaudas ir mažina šaldymo efektyvumą.
- Prietaiso vidaus temperatūrai gali turėti įtakos aplinkos temperatūra, durelių atidarymo dažnumas ir prietaiso vieta. Nustatant temperatūrą reikėtų atsižvelgti į šiuos veiksnius.
- Prieš padėdami į prietaisą, palaukite, kol šiltas maistas ir gėrimai atvės.
- Neuždenkite ventiliatoriaus (jei yra) maisto produktais.
- Įdėję arba išėmę maisto produktus, įsitikinkite, kad tinkamai uždarėte dureles, ypač šaldiklio dureles.
- Stenkitės kuo mažiau atidarinti dureles.
- Atšildydami šaldytus maisto produktus dėkite juos į šaldytuvą. Dėl žemos užšaldytų produktų temperatūros šaldytuve esantis maistas atvėsta.
- Lentynų išdėstymas šaldytuve neturi įtakos efektyviam energijos naudojimui. Maistas turi būti dedamas ant lentynų taip, kad būtų užtikrinta tinkama oro cirkuliacija (maistas neturėtų liesti vienas kito ir turėtų būti išlaikytas atstumas tarp maisto ir galinės sienos).
- Pažeistas tarpines būtina kuo greičiau pakeisti.

Valymas ir priežiūra

Bendrojo pobūdžio patarimai

- Reguliariai valykite aparatą šluoste ir šilto vandens bei neutralaus ploviklio tirpalu, specialiai sukurtu šaldytuvo vidui. Nenaudokite abrazyvinių valiklių ir įrankių.
- Prieš atlikdami prietaiso techninę priežiūrą ar valymą, atjunkite jį nuo maitinimo tinklo arba atjunkite maitinimą.

DĖMESIO! Šaldytuvo priedų negalima dėti į indaplovę.

Aparato atitirpinimas

- Atšildykite aparatą, kai ant garintuvo paviršiaus susidaro 3–4 mm storio šerkšno sluoksnis.

- Prieš atitirpindami išimkite visus maisto produktus ir išjunkite aparatą. Įdėkite atitirpinimo padėklą po garintuvu, kad būtų surinktas ištirpęs vanduo.
 - Ištirpus šerkšnui, išpilkite ištirpusį vandenį, sausu skudurėliu nusausinkite aparato vidų ir vėl jį įjunkite.
3. Išimkite visą maistą.
 4. Atitirpinkite ir išvalykite aparatą.
 5. Palikite dureles atidarytas tiek, kad jose galėtų cirkuliuoti oras. Tai padės išvengti pelėsių ir nemalonių kvapų susidarymo.

Jeį nenaudojate aparato ilgesnį laiką

1. Išjunkite aparatą.
2. Atjunkite aparatą nuo maitinimo tinklo.

Nutrūkus elektros tiekimui

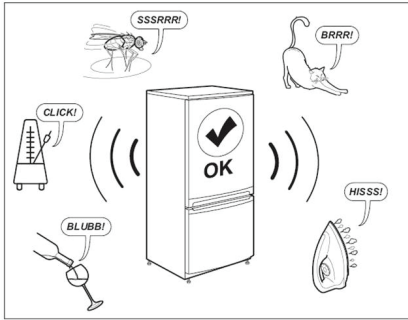
- Prietaiso dureles laikykite uždarytas. Tai leis maistui kuo ilgiau išlikti šaltam.

Trikčių šalinimas

Triktis	Galima priežastis	Sprendimas
Aparatas neveikia.	Aparatas išjungtas.	Įjunkite aparatą.
	Maitinimo kištukas tinkamai neįjungtas į elektros lizdą.	Tinkamai įjunkite maitinimo kištuką į elektros lizdą.
	Nėra įtampos elektros lizde.	Norėdami išsiaiškinti, ar elektros tinklo lizdas veikia, prijunkite prie jo kitą elektros prietaisą. Kreipkitės į kvalifikuotą elektriką, kad suremontuotų elektros tinklo lizdą.
Aparatas veikia triukšmingai.	Aparatas pastatytas nestabiliai.	Subalansuokite aparatą. Žr. skyrių „Aparato subalansavimas“ arba atskirai išleistas surinkimo instrukcijas.
Kompresorius nuolat veikia.	Nustatyta per žema temperatūra.	Nustatykite aukštesnę temperatūrą. Žr. skyrių „Naudojimas“.
	Vienu metu buvo įdėta daug maisto produktų.	Palaukite kelias valandas ir tada dar kartą patikrinkite temperatūrą.
	Per aukšta patalpos temperatūra.	Jeį įmanoma, pakeiskite aparato padėtį. Žr. skyrių „Padėties parinkimas“.
	Į aparatą įdėti per šilti maisto produktai.	Prieš įdėdami leiskite maisto produktams atvėsti iki kambario temperatūros.
	Durys uždarytos netinkamai.	Žr. skyrių „Durų uždarymas“.
Aparato viduje temperatūra yra per žema / per aukšta.	Temperatūra nustatyta neteisingai.	Nustatykite aukštesnę / žemesnę temperatūrą.
	Durys uždarytos netinkamai.	Žr. skyrių „Durų uždarymas“.
	Į aparatą įdėti per šilti maisto produktai.	Prieš įdėdami leiskite maisto produktams atvėsti iki kambario temperatūros.
	Vienu metu buvo įdėta daug maisto produktų.	Vienu metu įdėkite mažiau maisto produktų.
	Šerkšno storis viršija 4–5 mm.	Atitirpinkite aparatą.
	Durys buvo atidarinėjamos pernelyg dažnai.	Atidarykite duris tik kai būtina.
Aparate nepakankamai cirkuliuoja šaltas oras.	Maisto produktus išdėstykite taip, kad oras galėtų laisvai cirkuliuoti aparate.	
Durys ne visiškai uždaryti.	Žr. skyrių „Durų uždarymas“.	Žr. skyrių „Durų uždarymas“.

Įprastas triukšmas

Normalu, kad šaldymo sistema skleidžia tam tikrus garsus, pavyzdžiui, gurguliuoja ir šnypščia.



Durelių uždarymas

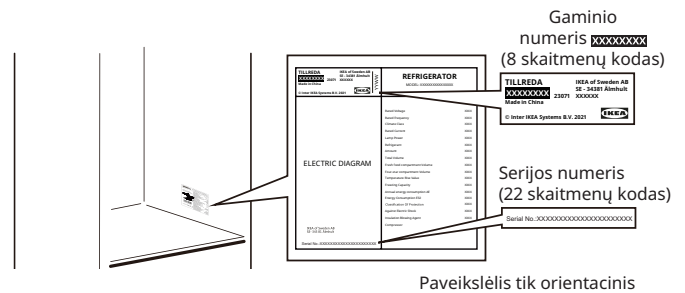
Sąlyga	Veiksmas
Durelių tarpikliai nešvarūs.	Išvalykite juos.
Durelių tarpikliai sugadinti.	Kreipkitės į garantinio aptarnavimo tarnybą, kad juos pakeistų.
Dureles blokuoja lentynos, stalčiai, maisto produktai ir pan.	Teisingai pastatykite arba pašalinkite daiktus, kurie blokuoja dureles.
Aparatas stovi nelygiai.	Subalansuokite aparatą. Žr. skyrių „Aparato subalansavimas“ arba atskirai išleistas surinkimo instrukcijas.
Durelės nėra sulygiuotos su korpusu.	Sureguliuokite dureles. Žr. atskirai išleistas surinkimo instrukcijas.

Prieš kreipdamiesi į garantinį aptarnavimą:

Paleiskite prietaisą iš naujo, kad sužinotumėte, ar triktis pašalinta. Jei jis išlieka, vėl išjunkite prietaisą ir pakartokite operaciją po valandos.

Jei atlikus trikčių šalinimo vadove išvardytus patikrinimus ir vėl įjungus prietaisą, jūsų prietaisas vis dar tinkamai neveikia, susisiekite su garantinio aptarnavimo tarnyba, aiškiai paaiškindami problemą ir nurodydami:

- problemos pobūdį
 - įsigijimo data
 - prietaiso modelis ir serijos numeris
- ⓘ Gaminio bei serijos numeriai pateikti duomenų plokštelėje, pritvirtintoje prietaiso viduje, dešinėje pusėje.




Techninė informacija

Gaminio kategorija	
Gaminio tipas	Šaldytuvas
Įrengimo tipas	Atskiras
Gaminio matmenys	
Aukštis	492 mm
Plotis	472 mm
Ilgis	450 mm
Naudingasis tūris	
Šaldytuvo	43,0 l
Atitirpinimo sistema	
Šaldytuvo	Neautomatinė
Kitos specifikacijos	
Įvertinimas žvaigždutėmis	–
Temperatūros didėjimo laikas	–
Suvartojamos energijos kiekis	80 kWh per metus
Triukšmo lygis	41 dB(A)
Energijos klasė	E
Nominali įtampa	220–240 V~
Nominalus dažnis	50 Hz
Šviesos šaltinio energijos vartojimo efektyvumo klasė	–

Pastaba: Informaciją apie gaminį gaminio duomenų bazėje galima rasti nuskaičius ant EPREL etiketės esantį QR kodą.

Aplinkosaugos klausimai

1. Pakavimo medžiagos


Perdirbamos medžiagos paženklintos simboliu . Pakavimo medžiagas sudėkite į atitinkamus kontenerius, kad galėtumėte jas perdirbti. Pakavimo medžiagas (plastikinius maišelius, polistireno dalis ir pan.) laikykite vaikams nepasiekiamoje vietoje, nes jos gali kelti pavojų.

2. Išmetimas į metalo laužą / utilizavimas

Prietaisas pagamintas naudojant perdirbamą medžiagą.

Šis prietaisas yra paženklintas pagal Europos direktyvą 2002/96/EB dėl elektros ir elektroninės įrangos atliekų (WEEE). Užtikrindami teisingą šio aparato šalinimą, galite padėti išvengti galimų neigiamų pasekmių aplinkai ir žmonių sveikatai.

Ant prietaiso arba pridedamuose dokumentuose

esantis simbolis  rodo, kad šio prietaiso negalima

šalinti kartu su buitėmis atliekomis, jis turi būti pristatytas į specialų elektros ir elektroninės įrangos perdirbimo surinkimo centrą. Išmesdami prietaisą į metalo laužą, padarykite jį netinkamu naudoti, nupjaudami maitinimo kabelį ir nuimdami dureles bei lentynas, kad vaikai negalėtų lengvai įlipti į vidų ir įstrigti.

Laikydami vietinių atliekų šalinimo taisyklių, atiduokite prietaisą į specialų surinkimo centrą; nepalikite jo be priežiūros net ir kelias dienas, nes jis gali kelti pavojų vaikams. Daugiau informacijos apie šio gaminio apdorojimą, naudojimą ir perdirbimą kreipkitės į savo kompetentingą vietos biurą, buitinių atliekų surinkimo tarnybą arba parduotuvę, kurioje įsigijote prietaisą.

Atitikties deklaracija

- Šis aparatas skirtas maisto produktams laikyti ir pagamintas pagal Reglamentą (EB) Nr. 1935/2004.



- Šis prietaisas suprojektuotas, pagamintas ir parduotas laikantis:
 - „Žemos įtampos“ direktyvos 2014/35/ES (kuri pakeičia 2006/95/EB ir vėlesnius pakeitimus) saugos tikslų;

- direktyvos „EMC“ 2014/30/ES apsaugos reikalavimų.
- Šis prietaisas suprojektuotas, pagamintas ir parduotas laikantis:
 - 2016 m. Elektromagnetinio suderinamumo taisyklės
 - 2016 m. Elektros įrenginių (saugos) taisyklės

**IKEA garantija****Kiek laiko galioja IKEA garantija?**

Ši garantija galioja **2 metus** nuo įsigijimo datos, nebent nacionaliniuose teisės aktuose nurodyta kitaip. Norvegijoje, Portugalijoje ir Ispanijoje garantija galioja 3 metus nuo pristatymo klientui datos, nebent nacionaliniuose teisės aktuose nurodyta kitaip. Pateikite originalų pirkimo kvitą kaip pirkimo įrodymą. Jei aptarnavimo darbai atliekami pagal garantiją, aparato garantinis laikotarpis nepratęsiamas.

Kas atliks aptarnavimą?

Aptarnavimo darbus atliks IKEA paslaugų teikėjas savo jėgomis arba per įgaliotųjų garantinio remonto partnerių tinklą.

Kam taikoma ši garantija?

Garantija taikoma aparato gedimams dėl netinkamos konstrukcijos arba medžiagų trūkumų, nuo aparato įsigijimo iš IKEA dienos. Ši garantija taikoma tik tada, jei aparatas naudojamas buityje. Išimties nurodytos skyriuje „Kam netaikoma ši garantija?“ Per garantinį laikotarpį padengiamos gedimų taisymo išlaidos, pvz. remonto, dalių, darbo ir kelionių, su sąlyga, kad aparatas pristatomas remontui be papildomų išlaidų. Šiomis sąlygomis taikomos ES gairės (Nr. 99/44/EG) ir atitinkamos vietinės taisyklės. Pakeistos dalys tampa IKEA nuosavybe.

Ką padarys IKEA, kad pašalintų gedimus?

IKEA paskirtasis paslaugų teikėjas ištirs gaminį ir savo nuožiūra nustatys, ar jam gali būti taikoma garantija. Nusprendus, jog garantija taikytina, IKEA paslaugų teikėjas ar jo įgaliotasis garantinio remonto partneris savo nuožiūra pataisys gaminį su trūkumais arba pakeis jį nauju analogišku arba panašiu gaminiu.

Kam ir kada netaikoma ši garantija?

- Įprastam susidėvimui.
- Tyčinei žalai ar žalai dėl aplaidumo, gedimams, kylantiems nesilaikant naudojimo instrukcijų, neteisingam prietaiso įrengimui arba prijungimui prie netinkamos įtampos tinklo, gedimams dėl cheminių arba elektrocheminių reakcijų, rūdžių, korozijos ar vandens žalos, įskaitant, bet tuo neapsiribojant, gedimus, kuriuos sukelia pernelyg didelis kalkių kiekis vandenyje, gedimams dėl nenormalių aplinkos sąlygų.
- Susidėvinčioms dalims, įskaitant maitinimo elementus ir lemputes.
- Nefunkcinėms ir dekoratyvinėms dalims, kurios neturi įtakos įprastam aparato naudojimui, įskaitant bet kokius įbrėžimus ir galimus atspalvių skirtumus.
- Atsitiktiniam sugadinimui, kurį sukelia pašalinės medžiagos ar daiktai ir filtrų atkimšimas arba vandens išleidimo sistemų ar plovimo priemonių stalčių valymas.
- Šių dalių gedimams: stiklo keramikai, priedams, indams ir stalo įrankių krepšeliams, padavimo ir vandens išleidimo vamzdžiams, sandarikliams, lemputėms ir lempučių dangteliams, ekranams, rankenėlėms, korpusams ir jų dalims. Išskyrus atvejus, kai gali būti įrodyta, kad tokia žala buvo sukelta dėl gamybos trūkumų.
- Tais atvejais, kai inžinierius technikas apsilankymo metu nenustato gedimo.
- Remontui, kurį atliko ne mūsų paskirtieji paslaugų teikėjai ir (arba) įgaliotasis garantinio remonto partneris, arba kai buvo naudojamos neoriginalios dalys.
- Remontui dėl netinkamo įrengimo arba įrengimo nesilaikant specifikacijos.
- Kai aparatas naudojamas ne buityje, t. y., profesionaliai paskirčiai.

- Žalai, padarytai gabenant. Jei klientas pats gabena gaminį į namus arba kitu adresu, IKEA neatsako už jokią žalą, kuri gali atsirasti vežant. Tačiau jei IKEA pristato gaminį kliento nurodytu adresu, IKEA atsako už tokio gabenimo metu gaminiui padarytą žalą.
- IKEA aparato pirminio įrengimo kainai. Tačiau jei IKEA paskirtasis paslaugų teikėjas ar įgaliotas garantinio remonto partneris pagal šią garantiją suremontuoja arba pakeičia prietaisą, paskirtasis paslaugų teikėjas ar įgaliotas garantinio remonto partneris turi sumontuoti suremontuotą prietaisą arba, jei reikia, jo pakaitalą.

Šie apribojimai netaikomi kvalifikuoto specialisto be trūkumų ir gedimų atliktam darbui naudojant originalias dalis, siekiant pritaikyti aparatą kitos ES šalies techninės saugos reikalavimams.

Kaip taikomi šalyje galiojantys teisės aktai

IKEA garantija suteikia tam tikras teises, kurios apima arba viršija visus taikomus vietos teisinius reikalavimus. Tačiau šios sąlygos niekaip neapriboja vartotojų teisių, numatytų vietos teisės aktuose.

Galiojimo sritis

Aparatams, kurie įsigyti vienoje ES šalyje ir pervežti į kitą ES šalį, aptarnavimo paslaugos teikiamos naujoje šalyje įprastinėmis sąlygomis.

Pareiga suteikti garantines paslaugas kyla tik jeigu aparatas atitinka ir yra sumontuotas laikantis:

- šalies, kurioje pareiškama garantinė pretenzija, techninių specifikacijų;
- surinkimo instrukcijų ir naudojimo vadovo saugos informacijos.

Paskirtoji IKEA aparatų garantinio aptarnavimo paslaugas teikianti tarnyba

Nedelsdami kreipkitės į IKEA garantines paslaugas teikiančią tarnybą šiais atvejais:

- jei norite pateikti prašymą remontui pagal šią garantiją;
- kilus neaiškumui, pasiteirauti dėl IKEA aparato montavimo specializuotuose IKEA virtuvės balduose;
- jei reikia paaiškinimų apie IKEA prietaisų funkcijas. Siekdami suteikti Jums geriausią pagalbą, norėtume, kad prieš kreipdamiesi į mus atidžiai perskaitytumėte montavimo instrukcijas ir (arba) vartotojo vadovą.

Kaip susisiekti su mumis, jei reikia mūsų paslaugų



IKEA paskirtų garantinio aptarnavimo paslaugų teikėjų telefono numerius rasite šio vadovo pabaigoje.

- ⓘ **Kad galėtume kuo skubiau suteikti jums paslaugas, prašome skambinti konkrečiais telefonų numeriais, nurodytais šio vadovo pabaigoje. Visada skambinkite telefono numeriais, nurodytais konkrečiau aparato, dėl kurio jums reikalinga pagalba, naudotojo vadove. Nepamirškite nurodyti 8 skaitmenų gaminio numerio ir 22 skaitmenų serijos numerio, nurodyto aparato vardinėje plokštelėje.**

- ⓘ **IŠSAUGOKITE PIRKIMO KVITĄ!** Tai pirkimo įrodymas, kurį reikės pateikti kreipiantis dėl garantinės priežiūros. Pirkimo kvite taip pat nurodytas kiekvieno įsigyto IKEA prietaiso pavadinimas ir gaminio numeris (8 skaitmenų kodas).

Ar jums reikalinga papildoma pagalba?

Jei turite papildomų klausimų, nesusijusių su prietaiso garantine priežiūra, kreipkitės į artimiausios IKEA parduotuvės skambučių centrą. Prieš kreipiantis į mus, rekomenduojame atidžiai perskaityti aparato dokumentaciją.

Informacija apie atsargines dalis

- Šios atsarginės dalys: termostatai, temperatūros jutikliai, spausdintinės plokštės ir šviesos šaltiniai remonto specialistams bus tiekiamos ne trumpiau kaip septynerius metus nuo paskutinio modelio įrenginio pateikimo į rinką.
- Šios atsarginės dalys: durų rankenos, durų vyriai, padėklai ir krepšiai remonto specialistams ir galutiniams naudotojams bus tiekiamos ne trumpiau kaip septynerius metus, o durų tarpinės – ne trumpiau kaip 10 metų nuo paskutinio modelio įrenginio pateikimo į rinką.

Atsargines dalis galite rasti adresu: www.ikea.com

Saturs

Drošības informācija	204	Ikdienas lietošana	209
Drošības instrukcijas	205	Tīrīšana un apkope	209
Uzstādīšana	207	Problēmu novēršana	210
Pirmā lietošana	208	Tehniskā informācija	212
Izstrādājuma apraksts	208	Apkārtējās vides aizsardzība	212
Lietošana	208	IKEA garantija	213

Drošības informācija

Pirms ierīces uzstādīšanas un lietošanas rūpīgi izlasiet komplektā iekļauto instrukciju. Ražotājs neuzņemas atbildību par nepareizas uzstādīšanas vai lietošanas rezultātā gūtām traumām vai nodarītiem zaudējumiem. Vienmēr saglabāiet instrukciju turpmākai uzziņai.

Bērnu un cilvēku ar ierobežotām spējām drošība



BRĪDINĀJUMS: Ugunsgrēka risks/Uzliesmojoši materiāli

- Šo ierīci drīkst izmantot bērni vecumā no 8 gadiem, kā arī personas ar ierobežotām fiziskām, sensorām vai garīgām spējām vai bez pieredzes un zināšanām, ja tie tiek uzraudzīti vai ir saņēmuši norādījumus par ierīces drošu lietošanu un saprot ietvertos riskus. Neļaujiet bērniem rotaļāties ar ierīci. Bērni nedrīkst bez uzraudzības veikt iekārtas tīrīšanu un apkopi. Bērniem nepieciešama uzraudzība — nepieļaujiet rotaļāšanos ar šo ierīci.
- Šo ierīci drīkst izmantot bērni vecumā no 3 līdz 8 gadiem un personas ar ļoti plašiem un sarežģītiem traucējumiem, ja tie ir atbilstoši instruēti.
- Bērni līdz 3 gadu vecumam nedrīkst izmantot ierīci, un tie ir pastāvīgi jāuzrauga.
- Neļaujiet bērniem rotaļāties ar ierīci.
- Bērni nedrīkst veikt iekārtas tīrīšanu un apkopi bez uzraudzības.
- Bērni vecumā no 3 līdz 8 gadiem drīkst ievietot produktus un izņemt tos no aukstumierīcēm.

- Glabājiet visu iepakojumu no bērniem un atbilstoši no tā atbrīvojieties.

Vispārējā drošība

- Šī ierīce ir paredzēta lietošanai mājas un līdzīgos apstākļos, piemēram:
 - personāla virtuves zonās veikalos, birojos un citās darba vidēs;
 - lauku mājās un klientu vajadzībām viesnīcās, moteļos un citās dzīvojamās vidēs;
 - naktsmītnēs ar brokastīm;
 - ēdināšanai un līdzīgiem, ar mazumtirdzniecību nesaistītiem mērķiem.
- **BRĪDINĀJUMS:** Neaizsedziet ierīces ventilācijas atveres, novietojot to brīvi stāvošu vai iebūvējot to mēbelēs.
- **BRĪDINĀJUMS:** Nelietojiet ražotāja neieteiktas mehāniskas ierīces vai citus līdzekļus atkausēšanas procesa paātrināšanai.
- **BRĪDINĀJUMS:** Nesabojājiet dzesētāja shēmu.
- **BRĪDINĀJUMS:** Ierīces pārtikas uzglabāšanas nodalījumu iekšpusē neizmantojiet elektroierīces, izņemot tās, kuru darbību ieteicis ražotājs.
- **BRĪDINĀJUMS:** Ierīces tīrīšanai neizmantojiet ūdens izsmidzinātājus un tvaika tīrīšanas ierīces.
- **BRĪDINĀJUMS:** Tīriet ierīci ar mīkstu, samitrinātu drānu. Izmantojiet tikai neitrālus mazgāšanas līdzekļus. Nelietojiet abrazīvus produktus, abrazīvus tīrīšanas sūkļus, šķīdinātājus un metāla priekšmetus.

- **BRĪDINĀJUMS:** Neglabājiet ierīcē sprāgstošas vielas, piemēram, aerosola flakonus ar viegli uzliesmojošu vielu.
- **BRĪDINĀJUMS:** Ja strāvas vads ir bojāts, tas jānomaina ražotājam, tā pilnvarota servisa centra speciālistam vai līdzīgi kvalificētai personai, lai izvairītos no riska.
- **BRĪDINĀJUMS:** Novietojot ierīci, pārliedcinieties, ka strāvas vads nav saspīests vai bojāts.
- **BRĪDINĀJUMS:** Ierīces aizmugurē nenovietojiet pārnēsājamus pagarinātājus vai pārnēsājamus barošanas avotus.
- Durvju atvēršana uz ilgu laiku var radīt ievērojamu temperatūras paaugstināšanos ierīces nodalījumos.
- Regulāri tīriet virsmas, kas var saskarties ar pārtikas produktiem un pieejamām drenāžas sistēmām.
- Tīriet ūdens tvertnes, ja tās nav lietotas 48 stundas; skalojiet ūdens sistēmu, kas savienota ar ūdensapgādes sistēmu, ja ūdens nav izvadīts 5 dienas.
- Svaigu gaļu un zivis glabājiet atbilstošos ledusskapja konteineros, lai tās nesaskartos ar citiem produktiem.
- Atstājot aukstumiekārtu tukšu uz ilgu laiku, izslēdziet to, atkausējiet, iztīriet, nosusiniet un atstājiet durvis atvērtas, lai novērstu pelējuma rašanos.
- Šī aukstumiekārta nav piemērota pārtikas produktu saldēšanai.
- Šo aukstumiekārtu nav paredzēts lietot kā iebūvētu ierīci.
- Divu zvaigznīšu sasaldētu produktu nodalījumi ir piemēroti, lai uzglabātu iepriekš sasaldētus produktus, uzglabātu vai pagatavotu saldējumu un pagatavotu ledus gabaliņus.
- Vienas, divu un trīs zvaigznīšu nodalījumi nav piemēroti svaigu produktu saldēšanai.
- **BRĪDINĀJUMS:** Lai novērstu risku ierīces nestabilitātes dēļ, tā ir jānofiksē atbilstoši norādījumiem.

Drošības instrukcijas

Uzstādīšana

- ▲ **BRĪDINĀJUMS!** Ierīces uzstādīšanu drīkst veikt tikai kvalificēta persona.
- Noņemiet visus iepakojuma materiālus.
- Neuzstādiet un nelietojiet bojātu ierīci.
- Ievērojiet uzstādīšanas instrukciju, kas iekļauta ierīces komplektā.
- Vienmēr esiet uzmanīgs, pārvietojot ierīci, jo tā ir smaga. Vienmēr izmantojiet aizsargcimdus un slēgtus apavus.
- Uzmanieties, lai nesabojātu grīdu (piem., parketu), pārvietojot ierīci.
- Pārliedcinieties, ka ierīce nav blakus siltuma avotam.
- Uzstādiet un līmeņojiet ierīci uz grīdas, kas ir pietiekami stingra, lai izturētu tās svaru, un vietā, kas ir piemērota tās izmēram un lietojumam.
- Pārbaudiet gaisa cirkulāciju ap ierīci.
- Veicot uzstādīšanu pirmo reizi vai pēc durvju uzstādīšanas uz otru pusi, uzgaidiet vismaz 4 stundas, pirms savienojat ierīci ar barošanas avotu. Tas jāievēro ar nolūku ļaut eļļai atplūst kompresorā.
- Pirms veicat jebkādas darbības ar ierīci (piem., durvju uzstādīšanu uz otru pusi), atvienojiet spraudni no kontaktligzdas.

- Ierīces aizmugurējai daļai jābūt vērstai pret sienu.
- Neuzstādiet ierīci tiešos saules staros.
- Neuzstādiet ierīci pārāk mitrā vai vēsā vietā, piemēram, vīna pagrabā.

Elektrības tīkla pieslēgums

- ▲ **BRĪDINĀJUMS!** Ugunsgrēka un elektrotrieciena risks.
- ▲ **BRĪDINĀJUMS!** Novietojot ierīci, pārliedcinieties, ka strāvas vads nav saspīests vai bojāts.
- ▲ **BRĪDINĀJUMS!** Nelietojiet daudzspraudņu adapterus vai pagarināšanas kabeļus.
- Ierīcei jāizveido zemējums.
- Pārliedcinieties, ka uz datu plāksnes norādītie parametri atbilst elektrības tīkla parametriem.
- Vienmēr izmantojiet pareizi uzstādītu, pret elektriskās strāvas triecieniem aizsargātu ligzdu.
- Esiet uzmanīgs, lai nesabojātu ierīces elektriskos komponentus (piem., spraudni, kabeli un kompresoru). Sazinieties ar pilnvarota servisa centra pārstāvi vai elektriķi, lai nomainītu elektriskos komponentus.

- Strāvas kabelim ir jāatrodas zem spraudņa.
- Iekārtas elektrības vadu pieslēdziet pie tīkla tikai pēc uzstādīšanas. Pārliedziniet, ka pēc ierīces uzstādīšanas varēsiet piekļūt elektrotīkla kontaktdakšai.
- Neraujiet kabeli, lai atvienotu ierīci. Atvienojiet ierīci, turot spraudni.
- Tikai AK un Īrijā:
Šī ierīce ir aprīkota ar 13 A kontaktdakšu. Ja nepieciešams nomainīt kontaktdakšas drošinātāju, izmantojiet tikai drošinātāju 13 A ASTA (BS 1362).

Lietošana

⚠ BRĪDINĀJUMS! Traumu, apdegumu, elektrotriecienu un ugunsgrēka risks.



Dzesēšanas ķēdes caurules satur nelielu daudzumu videi draudzīga, bet uzliesmojoša dzesētāja R600a. Tas nekaitē ozona slānim un nepalielina siltumnīcas efektu. Ja dzesētājs izklūst laukā, tas var traumēt acis vai aizdegties. Nesabojājiet caurules.

- Kompresora virsma var sakarst normālas darbības apstākļos. Neaizskariet to ar rokām.
- Nemainiet ierīces specifikācijas.
- Neievietojiet elektroierīces (piem., saldējuma pagatavošanas ierīces) šajā ierīcē, ja vien ražotājs tās nav atzinis par piemērotām.
- Ja dzesētāja shēma ir bojāta, pārliedziniet, ka telpā nav liesmu un uzliesmošanas avotu. Vēdiniet telpu.
- Neļaujiet karstiem priekšmetiem saskarties ar ierīces plastmasas daļām.
- Neglabājiet pudelēs pildītus dzērienus saldētavas nodalījumā, lai izvairītos no saplīšanas vai citiem zaudējumiem.
- Neglabājiet ierīcē uzliesmojošas gāzes vai šķidrums.
- Neievietojiet ierīcē, tās tuvumā vai uz tās uzliesmojošus vai ar uzliesmojošām vielām piesātinātus priekšmetus.
- Neaizskariet kompresoru un kondensatoru. Tie ir karsti.
- Neizņemiet produktus un nepieskarieties produktiem saldētu produktu nodalījumā, ja jūsu rokas ir slapjas vai mitras.
- Nenorijiet ledus iepakojumu (netoksisks) saturu.
- Neēdiet ledus kubiņus vai saldējumu uzreiz pēc izņemšanas no saldētavas, jo tas var izraisīt aukstuma traumas.
- Atkausētus produktus nedrīkst ievietot atpakaļ saldētu produktu nodalījumā.
- Ievērojiet glabāšanas norādījumus uz pārtikas produktu iepakojuma.

Iekšējais apgaismojums

⚠ BRĪDINĀJUMS! Elektrotriecienu risks.

- Ierīces iekšpusē izmantotā spuldze ir īpaši paredzēta sadzīves ierīcēm un nav piemērota vispārējam telpu apgaismojumam mājoklī ((ES) 2019/2020).

Kopšana un tīrīšana

⚠ BRĪDINĀJUMS! Traumu un ierīces bojājumu risks.

- Pirms apkopes izslēdziet ierīci un atvienojiet spraudni no elektrības tīkla.
- Šīs ierīces dzesēšanas iekārtā tiek izmantoti ogļūdeņraži. Iekārtas apkopi un uzpildi drīkst veikt tikai kvalificēta persona.
- Regulāri pārbaudiet ierīces notekcauruli un nepieciešamības gadījumā iztīriet to. Ja notekcaurule ir nosprostota, atkausēšanas ūdens uzkrājas ierīces apakšā.

Serviss

- Lai ierīci labotu, sazinieties ar rokasgrāmatas beigās norādītu pilnvarotu servisa centru.
- Izmantojiet tikai oriģinālas rezerves daļas.

Nodošana atkritumos

⚠ BRĪDINĀJUMS! Traumu un nosmakšanas risks.

- Atvienojiet ierīci no barošanas avota.
- Nogrieziet iekārtas strāvas vadu un izmetiet to.
- Noņemiet durvis, lai novērstu bērnu un mājdzīvnieku iestrēgšanu ierīces iekšpusē.
- Ierīces dzesētāja shēma un izolācijas materiāli ir ozonam draudzīgi.
- Izolācijas putas satur uzliesmojošu gāzi. Sazinieties ar pašvaldības iestādi, lai uzzinātu, kā pareizi atbrīvoties no ierīces.
- Neradiet bojājumus dzesēšanas iekārtas daļai, kas atrodas blakus siltummainim.

Ražotājs neuzņemas atbildību par personām vai dzīvniekiem radītām traumām vai īpašuma bojājumiem, ja netiek ievēroti augstāk minētie ieteikumi un piesardzības pasākumi.

Uzstādīšana

⚠ BRĪDINĀJUMS! Pirms ierīces uzstādīšanas rūpīgi izlasiet drošības informāciju šajā bukletā.

Uzstādīšanas kontrolsaraksts

Durvis

- Durvju blīves ir ciešas visās pusēs
- Durvis ir līmenī

Līmeņošana

- Ledusskapis ir līmenī

Elektriskā jauda

- Uzgaidiet 4 stundas
- Energoapgāde ir ieslēgta
- Ledusskapja kontaktdakša ir pieslēgta kontaktrozetei

Gala pārbaudes

- Iepakojuma materiāli ir noņemti
- Ledusskapja temperatūra ir iestatīta

Novietošana

- Uzstādot ierīci, ievērojiet atsevišķajā Uzstādīšanas instrukcijā sniegtās norādes.
- Uzstādiet šo ierīci vietā, kurā apkārtnes temperatūra atbilst uz ierīces datu plāksnes norādītajai klimata klasei. Tas nodrošina ierīces pareizu darbību. Paskaidrojums par klimata klasēm:

Klimata klase	Apkārtnes temperatūras diapazons
SN	+10°C līdz +32°C
N	+16°C līdz +32°C
ST	+16°C līdz +38°C
T	+16°C līdz +43°C

- "SN" norāda, ka šī aukstumiekārta ir paredzēta izmantošanai apkārtnes temperatūrā no +10°C līdz +32°C.

- "N" norāda, ka šī aukstumiekārta ir paredzēta izmantošanai apkārtnes temperatūrā no +16°C līdz +32°C.

- "ST" norāda, ka šī aukstumiekārta ir paredzēta izmantošanai apkārtnes temperatūrā no +16°C līdz +38°C.

- "T" norāda, ka šī aukstumiekārta ir paredzēta izmantošanai apkārtnes temperatūrā no +16°C līdz +43°C.

- ⓘ Atsevišķiem ierīces modeļiem var rasties dažas funkcionālas problēmas, lietojot tos ārpus noteiktā temperatūras diapazona. Pareiza darbība tiek garantēta tikai norādītajā temperatūras diapazonā.

Ja jums ir jebkādas šaubas par uzstādīšanu, vērsieties pie pārdevēja, mūsu klientu apkalpošanas speciālistiem vai tuvākajā pilnvarotajā servisa centrā.

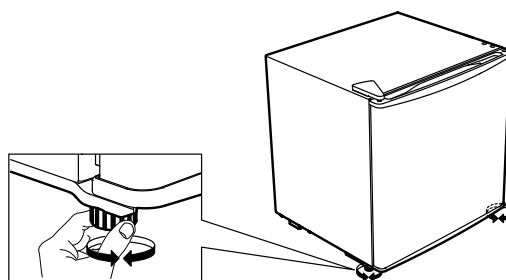
Atrašanās vieta

Lai nodrošinātu labāko veiktspēju, uzstādiet ierīci prom no siltuma avotiem, piemēram, radiatoriem, boileriem un tiešiem saules stariem. Nodrošiniet brīvu gaisa cirkulāciju ierīces aizmugurē.

Ierīces līmeņošana

Ja ierīce noliecas uz kādu pusi, regulējiet abus balstus ierīces priekšpusē, līmeņojot ierīci. Detalizētus norādījumus skatiet atsevišķajā Uzstādīšanas instrukcijā.

1. Atvienojiet ierīces spraudni no kontaktligzdas.
2. Pagrieziet balstu pulksteņrādītāja kustības virzienā, lai paceltu ierīci. Pagrieziet balstu pretēji pulksteņrādītāja kustības virzienam, lai nolaistu ierīci.



Ierīces tīrīšana

Pirms ierīces pirmās lietošanas notīriet ierīci, lai novērstu jaunam izstrādājumam raksturīgo aromātu.

1. Noteikti atvienojiet ierīci no barošanas avota.
2. Noslaukiet iekšpusi ar mīkstu, samitrinātu drānu.
3. Mazgājiet iekšējos piederumus ar remdenu ūdeni un nelielu daudzumu neitrālu ziepju, pēc tam rūpīgi nožāvējiet.

UZMANĪBU!

Nelietojiet abrazīvus, hlorīdu vai skābi saturošus tīrīšanas līdzekļus vai šķīdinātājus.

- Neizmantojiet asus vai abrazīvus sūkļus. Metāliskas virsmas var rūsēt.
- Nekad nemazgājiet piederumus trauku mazgāšanas mašīnā. Tie var deformēties.

Elektrības tīkla pieslēgums

⚠ UZMANĪBU! Jebkādas elektrodarbus, kas nepieciešami šīs ierīces uzstādīšanai, drīkst veikt tikai kvalificēts elektriķis vai kompetenta persona.

⚠ BRĪDINĀJUMS! Ierīcei jāizveido zemējums. Šo norādījumu neievērošanas gadījumā pastāv nāves draudi, ugunsgrēka un elektrotrieciena risks.

Ražotājs neuzņemas nekādu atbildību par drošības pasākumu neievērošanu. Šī ierīce atbilst EEK direktīvām.

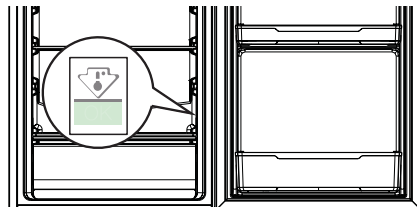
Pirmā lietošana

Savienojiet ierīci ar barošanas avotu. Ideālā pārtikas produktu uzglabāšanas temperatūra ir iestatīta rūpnīcā (vidēja).

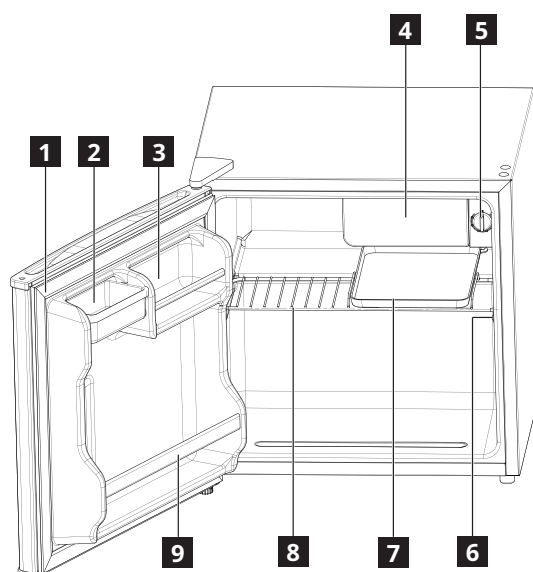
Piezīme: Pēc ieslēgšanas ierīcei ir nepieciešamas 4-5 stundas, lai sasniegtu pareizo temperatūru tipiska pārtikas produktu daudzuma uzglabāšanai.

Svarīgi!

Saskaņā ar dažu valstu noteikumiem ir jānodrošina īpaša ierīce (skatīt attēlu zemāk), kas novietota ledusskapja zemākajā nodalījumā, lai norādītu aukstāko zonu.



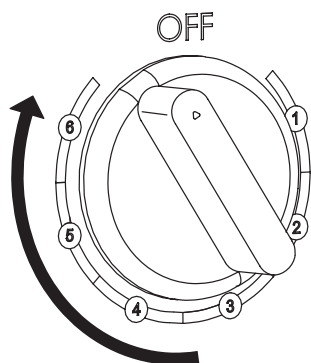
Izstrādājuma apraksts



- 1** Durvju blīve
- 2** Uzglabāšanas kaste
- 3** Skārdeņu turētājs
- 4** Dzesēšanas nodalījums

- 5** Temperatūras regulators
- 6** Datu plāksne
- 7** Atkausēšanas paplāte
- 8** Plaukts
- 9** Pudeļu turētājs

Lietošana



Ieslēgšana

Savienojiet kontaktdakšu ar kontaktligzdu un regulējiet temperatūru. Ierīce ieslēdzas un sāk darboties.

Temperatūras regulēšana

Temperatūra tiek regulēta automātiski. Temperatūras regulēšana:

- Pagrieziet temperatūras regulatoru uz zemāku iestatījumu, lai samazinātu aukstumu.
 - Pagrieziet temperatūras regulatoru uz augstāku iestatījumu, lai palielinātu aukstumu.
- ⓘ Vidējais iestatījums parasti ir piemērotākais.

Regulējiet temperatūras iestatījumu, ņemot vērā, ka temperatūra ierīces iekšpusē ir atkarīga no šādiem faktoriem:

- temperatūra telpā;
- durvju atvēršanas biežums;
- uzglabāto produktu daudzums;
- ierīces atrašanās vieta.

Svarīgi! Ja apkārtnes temperatūra ir augsta vai ierīce ir pilnībā noslogota un ir iestatīta zemākā temperatūra, tā var nepārtraukti darboties, uz aizmugurējās sienas veidojot sarmu. Šajā gadījumā jāiestata augstāka temperatūra, ļaujot veikt automātisku atkausēšanu un tādējādi samazinot enerģijas patēriņu.

Ikdienas lietošana

Padomi svaigu produktu glabāšanai ledusskapī

- Apsedziet vai ietiniet produktus, īpaši ja tiem ir spēcīgs aromāts.
- Novietojiet produktus tā, lai gaiss var brīvi cirkulēt.
- Lai nodrošinātu vislabāko veiktspēju, atstājiet pietiekami daudz vietas ledusskapja nodalījumā, ļaujot gaisam cirkulēt ap iepakojumiem. Atstājiet arī pietiekami daudz vietas priekšpusē, lai varētu cieši aizvērt durvis.
- Neglabājiet ledusskapī siltus vai iztvaikojošus šķidrumus.
- Pagatavoti produkti un auksti ēdieni: apsedziet un novietojiet uz jebkura plaukta.
- Augļi un dārzeņi: rūpīgi notīriet un novietojiet dārzeņu atvilktnē. Banānus, kartupeļus, sīpolus un ķiplokus neglabājiet ledusskapī, ja vien tie nav iepakoti.
- Sviests un siers: ievietojiet īpašos, hermētiskos traukos vai ietiniet alumīnija folijā vai polietilēna maisiņos, maksimāli novēršot gaisa piekļuvi.
- Pudeles: uzlieciet vāciņus un novietojiet durvju plauktos.

Enerģijas taupīšanas padomi

- Uzstādiet ierīci sausā, labi vēdināmā telpā prom no jebkādiem siltuma avotiem (piem., radiatora, plīts utt.) un vietā, kas nav pakļauta tiešiem saules

Padomi:

- Jo zemāka ir temperatūra, jo ilgāk varat droši uzglabāt pārtikas produktus un ierīce patērē vairāk elektrības.
- Jo augstāka ir temperatūra, jo ātrāk pārtikas produkti bojājas un ierīce patērē mazāk elektrības.

Izslēgšana

Lai izslēgtu ierīci, pagrieziet temperatūras regulatora pogu pozīcijā "OFF" un pēc tam atvienojiet kontaktdakšu no kontaktligzdas.

stariem. Ja nepieciešams, izmantojiet izolācijas plāksni.

- Lai nodrošinātu pietiekamu ventilāciju, ievērojiet uzstādīšanas norādījumus.
- Nepietiekama ventilācija izstrādājuma aizmugurē palielina enerģijas patēriņu un samazina dzesēšanas efektivitāti.
- Ierīces iekšējo temperatūru var ietekmēt apkārtnes temperatūra, durvju atvēršanas biežums, kā arī ierīces atrašanās vieta. Iestatot temperatūru, šie faktori ir jāņem vērā.
- Ļaujiet siltiem ēdieniem un dzērieniem atdzist, pirms ievietojat tos ierīcē.
- Nenovietojiet pārtikas produktus priekšā ventilatoram (ja pieejams).
- Pēc produktu ievietošanas vai izņemšanas rūpīgi aizveriet durvis, īpaši saldētavas durvis.
- Līdz minimumam samaziniet durvju atvēršanu.
- Atkausējot saldētus produktus, ievietojiet tos ledusskapja nodalījumā. Saldēto produktu zemā temperatūra dzesē produktus ledusskapja nodalījumā.
- Plauktu novietojums ledusskapī neietekmē enerģijas patēriņu. Produkti uz plauktiem jāizvieto tā, lai nodrošinātu atbilstošu gaisa cirkulāciju (produkti nedrīkst saskarties, un ir jāievēro attālums starp produktiem un aizmugurējo sienu).
- Bojātas blīves ir iespējami drīz jānomaina.

Tīrīšana un apkope

Vispārīgi padomi

- Regulāri tīriet ierīci ar drānu un šķidrumu, kas pagatavots no silta ūdens un neitrāla mazgāšanas līdzekļa, kas īpaši paredzēts ledusskapja iekšpusei. Nelietojiet abrazīvus mazgāšanas līdzekļus un rīkus.
- Pirms ierīces apkopes vai tīrīšanas atvienojiet to no barošanas avota.

UZMANĪBU! Ledusskapja piederumus nedrīkst mazgāt trauku mazgāšanas mašīnā.

Ierīces atkausēšana

- Atkausējiet ierīci vienmēr, kad sarmas slānis uz iztvaicētāja virsmas ir 3 līdz 4 mm biezs.
- Pirms atkausēšanas izņemiet visus produktus un izslēdziet ierīci. Zem iztvaicētāja palieciet atkausēšanas paplāti, lai savāktu izkusušo ūdeni.

- Kad visa sarma ir izkususi, izlejiet izkusušo ūdeni, noslaukiet ierīces iekšpusi ar sausu drānu un ieslēdziet ierīci.

Ja nelietosiet ierīci ilgstošu periodu

1. Izslēdziet ierīci.
2. Atvienojiet ierīci no barošanas avota.
3. Izņemiet visus produktus.

4. Atkausējiet un iztīriet ierīci.
5. Atstājiet durvis atvērtas tik daudz, lai ļautu cirkulēt gaisam nodalījumos. Tas novērsīs pelējuma un nepatīkamu aromātu rašanos.

Energoapgādes traucējumu gadījumā

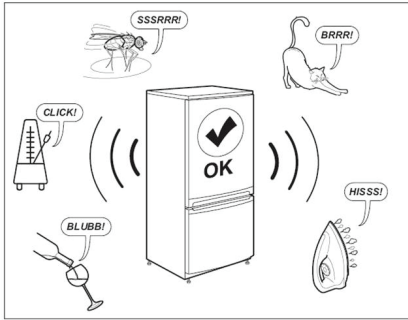
- Ierīces durvīm ir jābūt aizvērtām. Tas ļaus produktiem iespējami ilgi glabāties vēsumā.

Problēmu novēršana

Problēma	Iespējamais iemesls	Risinājums
Ierīce nedarbojas.	Ierīce ir izslēgta.	Ieslēdziet ierīci.
	Spraudnis nav pareizi savienots ar kontaktligzdu.	Savienojiet spraudni ar kontaktligzdu pareizi.
	Kontaktligzdā nav sprieguma.	Lai noskaidrotu, vai kontaktligzda darbojas, savienojiet to ar citu elektroierīci. Sazinieties ar kvalificētu elektriķi, lai salabotu kontaktligzdu.
Ierīce skaļi darbojas.	Ierīce nav novietota stabili.	Līmeņojiet ierīci. Skatiet sadaļu "Ierīces līmeņošana" vai atsevišķo Uzstādīšanas instrukciju.
Kompresors darbojas nepārtraukti.	Iestatītā temperatūra ir pārāk zema.	Iestatiet augstāku temperatūru. Skatiet sadaļu "Lietošana".
	Vienlaicīgi ievietoti daudzi pārtikas produkti.	Uzgaidiet dažas stundas un pārbaudiet temperatūru vēlreiz.
	Telpā temperatūra ir pārāk augsta.	Novietojiet ierīci citā vietā, ja iespējams. Skatiet sadaļu "Novietošana".
	Ierīcē ievietoti pārāk silti produkti.	Ļaujiet produktiem atdzist līdz istabas temperatūrai, pirms ieviejojat tos ledusskapī.
	Durvis nav pareizi aizvērtas.	Skatiet "Durvju aizvēršana".
Temperatūra ierīcē ir pārāk zema/augsta.	Temperatūra nav pareizi iestatīta.	Iestatiet augstāku/zemāku temperatūru.
	Durvis nav pareizi aizvērtas.	Skatiet "Durvju aizvēršana".
	Ierīcē ievietoti pārāk silti produkti.	Ļaujiet produktiem atdzist līdz istabas temperatūrai, pirms ieviejojat tos ledusskapī.
	Vienlaicīgi ievietoti daudzi pārtikas produkti.	Vienlaicīgi ieviejojiet mazāk pārtikas produktu.
	Sarmas slānis ir biezāks nekā 4-5 mm.	Atkausējiet ierīci.
	Durvis tiek virinātas pārāk bieži.	Atveriet durvis tikai tad, kad nepieciešams.
	Ierīcē nav pietiekamas aukstā gaisa cirkulācijas.	Novietojiet produktus tā, lai gaiss ierīcē var brīvi cirkulēt.
Durvis nevar pilnīgi aizvērt.	Skatiet "Durvju aizvēršana".	Skatiet "Durvju aizvēršana".

Normāli trokšņi

Ir normāli, ja dzesēšanas sistēma rada trokšņus, piemēram, burbuļošanu un šņākoņu.



Durvju aizvēršana

Ja	Rīkojieties šādi
Durvju blīves ir netīras.	Notīriet tās.
Durvju blīves ir bojātas.	Sazinieties ar pēcpārdošanas pakalpojumu sniedzēju, lai tās nomainītu.
Plaukti, atvilktnes, produkti utt. bloķē durvis.	Novietojiet pareizi vai izņemiet priekšmetus, kas bloķē durvis.
Ierīce nav līmeņota.	Līmeņojiet ierīci. Skatiet sadaļu "Ierīces līmeņošana" vai atsevišķo Uzstādīšanas instrukciju.
Durvis nav vienā līmenī ar ledusskapi.	Regulējiet durvis. Skatiet atsevišķo Uzstādīšanas instrukciju.

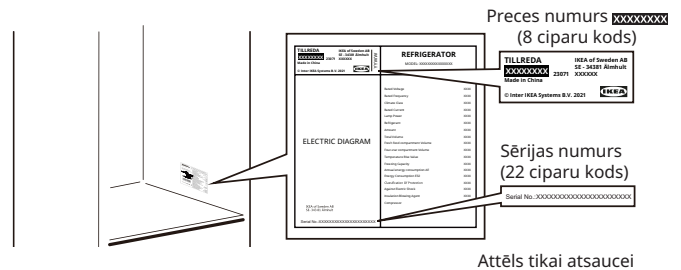
Pirms vēršaties Pēcpārdošanas servisā:

Restartējiet ierīci, lai redzētu, vai kļūme ir novērsta. Ja problēma joprojām pastāv, izslēdziet ierīci vēlreiz un pēc stundas atkārtojiet darbību.

Ja ierīce joprojām nedarbojas pareizi, kad esat veicis problēmu novēršanas ceļvedī norādītās pārbaudes un ieslēdzis ierīci no jauna, izmantojiet pēcpārdošanas servisu, skaidri norādot problēmu un šādu informāciju:

- problēmas raksturs
- pirkuma datums
- ierīces modelis un sērijas numurs

ⓘ Preces numurs un sērijas numurs ir norādīti uz datu plāksnes ierīces iekšpusē pa labi.




Tehniskā informācija

Produkta kategorija	
Produkta veids	Ledusskapis
Uzstādīšanas veids	Brīvi stāvošs
Produkta izmēri	
Augstums	492 mm
Platums	472 mm
Dziļums	450 mm
Neto tilpums	
Ledusskapis	43,0 l
Atkausēšanas sistēma	
Ledusskapis	Manuāli
Citas specifikācijas	
Novērtējums ar zvaigznītēm	-
Temperatūras sasniegšanas laiks	-
Enerģijas patēriņš	80 kWh gadā
Trokšņu līmenis	41 dB (A)
Enerģijas klase	E
Nominālais spriegums	220 - 240 V~
Nominālā frekvence	50 Hz
Gaismas avota energoefektivitātes klase	-

Piezīme: Informācijai par izstrādājumu izstrādājumu datubāzē var piekļūt, noskenējot QR kodu uz EPREL etiķetes.

Apkārtējās vides aizsardzība

1. Iepakojuma materiāli


Pārstrādājami materiāli ir atzīmēti ar simbolu . Ievietojiet iepakojuma materiālus atbilstošajos konteineros, lai tos pārstrādātu.

Glabājiet iepakojuma materiālus (plastmasas maisiņus, polistirola daļas utt.) bērniem nepieejamā vietā, jo tie var radīt apdraudējumu.

2. Atbrīvošanās

Ierīce ir izgatavota, izmantojot pārstrādājamus materiālus.

Šī ierīce ir marķēta atbilstoši Eiropas Direktīvai 2002/96/EK par elektrisko un elektronisko iekārtu atkritumiem (EEIA). Pareizi atbrīvojoties no šīs ierīces, jūs varat palīdzēt novērst iespējami negatīvu ietekmi uz vidi un cilvēku veselību.

Simbols  uz ierīces vai pavaddokumentos norāda, ka ierīci nedrīkst izmest sadzīves atkritumos, bet tā ir jānodod īpašā elektrisko un elektronisko iekārtu savākšanas centrā, lai pārstrādātu. Atbrīvojoties no ierīces, padariet to nelietojamu, nogriežot barošanas kabeli un noņemot durvis un plauktus, lai bērni nevarētu tajā ielīst un iesprūst.

Atbrīvojoties no ierīces saskaņā ar vietējiem noteikumiem par atkritumu likvidēšanu, nododot to īpašā savākšanas centrā; neatstājiet ierīci bez uzraudzības pat uz pāris dienām, jo bērniem tas ir potenciāls apdraudējuma avots.

Lai uzzinātu vairāk par šī izstrādājuma apstrādi, utilizāciju un pārstrādi, vērsieties kompetentajā vietējā birojā, sadzīves atkritumu savākšanas dienestā vai veikalā, kurā iegādājāties ierīci.

Atbilstības deklarācija

- Šī ierīce ir paredzēta pārtikas produktu uzglabāšanai un ir ražota saskaņā ar Regulu (EK) Nr. 1935/2004.



- Šī ierīce ir izstrādāta, ražota un pārdota saskaņā ar:
 - Zemsprieguma direktīvas 2014/35/ES (kas aizstāj 2006/95/EK un turpmākos grozījumus) drošības mērķiem;

- EMS direktīvas 2014/30/ES aizsardzības prasībām.
- Šī ierīce ir izstrādāta, ražota un pārdota saskaņā ar:
 - 2016. gada noteikumi par elektromagnētisko saderību
 - 2016. gada noteikumi par elektroiekārtām (drošību)

**IKEA garantija****Kāds ir IKEA sniegtās garantijas periods?**

Garantija ir spēkā **2 gadus** no pirkuma datuma, ja vien valsts tiesību aktos nav noteikts citādi. Norvēģijā, Portugālē un Spānijā garantija ir spēkā 3 gadus no datuma, kad izstrādājums piegādāts patērētājam, ja vien valsts tiesību aktos nav noteikts citādi. Pirkuma apliecināšanai nepieciešams čeka oriģināls. Ja garantijas periodā veikts iekārtas serviss, iekārtas garantijas periods netiek pagarināts.

Kas veic iekārtas servisu?

IKEA servisa nodrošinātājs nodrošinās servisu pats vai izmantojot pilnvarotu servisa partneru tīklu.

Uz ko attiecas garantija?

Garantija attiecas uz iekārtas disfunkcijām ražotāja kļūdas vai materiālu defekta rezultātā. Tā stājas spēkā no izstrādājuma iegādes dienas IKEA. Šī garantija attiecas tikai uz mājāsaimniecībā lietotām iekārtām. Izņēmumi ir norādīti sadaļā "Uz ko šī garantija neattiecas?" Garantijas periodā tiek segti defekta novēršanas izdevumi, piemēram, remonts, rezerves daļas, darbs un transportēšana, gadījumā, ja ierīce ir pieejama remontam bez īpašiem izdevumiem. Šādos apstākļos ir piemērojamas ES vadlīnijas (Nr. 99/44/EK) un atbilstošie vietējie noteikumi. Nomainītās detaļas pāriet IKEA īpašumā.

Kāda ir IKEA rīcība problēmas atrisināšanai?

IKEA norīkots servisa nodrošinātājs pārbaudīs produktu un izlems, vai uz to ir attiecināma garantija. Ja garantija būs attiecināma, IKEA servisa nodrošinātājs vai tā pilnvarots servisa partneris, veicot servisa darbības pēc saviem uzskatiem, salabos bojāto izstrādājumu vai nomainīs to ar tādu pašu vai līdzvērtīgu izstrādājumu.

Uz ko šī garantija neattiecas?

- Parasts nolietojums.
- Bojājumi, kas nodarīti tīši vai radušies nevērīgas apiešanās rezultātā, ekspluatācijas instrukcijas neievērošanas, nepareizas uzstādīšanas rezultātā vai pieslēdzot iekārtu pie tīkla ar neatbilstošu spriegumu, ķīmiskas vai elektroķīmiskas reakcijas, rūsas, korozijas vai ūdens ietekmē radīti bojājumi, ieskaitot, taču neaprobežojoties ar bojājumiem, kas radušies paaugstināta kaļķakmens satura rezultātā ūdenī, un bojājumiem neatbilstošas apkārtējās vides ietekmes rezultātā.
- Nomaināmās detaļas, ieskaitot baterijas un lampiņas.
- Funkcijas neietekmējoši un dekoratīvi elementi, kas neietekmē iekārtas lietošanu, ieskaitot skrāpējumus un iespējamu krāsas maiņu.
- Nejaušs bojājums svešķermeņu vai vielu ietekmes, tīrīšanas, filtru atbrīvošanas, drenāžas sistēmu vai mazgājamā līdzekļa tvertnu ietekmes rezultātā.
- Šādu elementu bojājums: stikla keramika, piederumi, trauki un galda piederumu statīvi, ūdensvada padeves un kanalizācijas caurules, plombas, lampiņas un to pārsegi, ekrāni, pogas, apdare un tās elementi. Izņemot gadījumu, ja iespējams pierādīt, ka šie bojājumi radušies ražošanas defekta rezultātā.
- Gadījumi, kad speciālista vizītes laikā kļūme netiek konstatēta.
- Remonts, ko nav veikuši mūsu pilnvarotie servisa nodrošinātāji un/vai pilnvarotā servisa tiesiskais partneris, kā arī gadījumi, ja nav lietotas oriģinālās detaļas.
- Nepareizas vai specifikācijai neatbilstošas uzstādīšanas rezultātā radies bojājums.
- Iekārtas lietošana profesionāliem nolūkiem, t.i., iekārta nav lietota mājāsaimniecībā.
- Transportēšanas rezultātā radušies bojājumi. IKEA nenes atbildību par bojājumiem, kas radušies transportēšanas rezultātā – laikā, kad klients nogādā izstrādājumu mājās vai jebkurā citā vietā. IKEA sedz zaudējumus, kas radušies izstrādājuma transportēšanas rezultātā, ja izstrādājumu klienta norādītajā vietā piegādā IKEA.

- IKEA iekārtas sākotnējās uzstādīšanas izmaksas. Ja IKEA pilnvarotais servisa nodrošinātājs vai tā pilnvarotais servisa partneris veic iekārtas remontu vai nomaiņu garantijas ietvaros, pilnvarotais servisa nodrošinātājs vai pilnvarotais servisa partneris apņemas nepieciešamības gadījumā uzstādīt remontēto vai nomainīto iekārtu.

Šie ierobežojumi neattiecas uz darbu, ko veicis kvalificēts speciālists, izmantojot mūsu oriģinālās detaļas, lai pielāgotu ierīci citas ES valsts tehniskajām drošības specifikācijām.

Valsts likumdošanas spēkā esamība

IKEA garantija nodrošina noteiktas likumīgas tiesības, kas atbilst vietējās likumdošanas prasībām vai pārsniedz tās. Taču šie noteikumi nekādā veidā neierobežo vietējā likumdošanā norādītās klienta tiesības.

Darbības teritorija

Vienā ES valstī iegādātām un uz citu ES valsti aizvestām iekārtām tiek nodrošināts serviss piegādes valstī spēkā esošo garantijas noteikumu ietvaros. Saistības nodrošināt pakalpojumus garantijas ietvaros ir spēkā tikai gadījumā, ja iekārta atbilst un ir uzstādīta saskaņā ar šādām prasībām:

- tehniskās specifikācijas valstī, kurā pieteikta garantijas prasība;
- Uzstādīšanas instrukcijā un Lietotāja rokasgrāmatā iekļautā drošības informācija.

PĒCPĀRDOŠANAS SERVISS IKEA ierīcēm

Sazinieties ar IKEA pēcpārdošanas servisu, ja vēlaties:

- pieprasīt servisu garantijas ietvaros;
- uzdot jautājumus par IKEA ierīces uzstādīšanu IKEA virtuves mēbelēs;
- precizēt IKEA iekārtu funkcijas.

Lūdzu, rūpīgi iepazīstieties ar montāžas instrukcijām un/vai ekspluatācijas instrukciju, pirms sazināties ar mums – šādā gadījumā mēs varēsim sniegt kvalitatīvus pakalpojumus.

Kā sazināties, ja nepieciešami mūsu pakalpojumi



IKEA pēcpārdošanas pakalpojumu sniedzēju tālruņa numurus skatiet šīs rokasgrāmatas beigās.

- ① **Lai nodrošinātu ātrāku servisu, iesakām izmantot šīs rokasgrāmatas beigās norādītos tālruņa numurus. Vienmēr izmantojiet konkrētās ierīces, attiecībā uz kuru jums ir nepieciešama palīdzība, lietotāja rokasgrāmatā norādītos tālruņa numurus. Lūdzu, atcerieties norādīt 8 ciparu preces numuru un 22 ciparu sērijas numuru, kas norādīti uz jūsu ierīces datu plāksnes.**

① SAGLABĀJIET PIRKUMA ČEKU!

Tas apliecina pirkuma faktu un ir nepieciešams garantijas pakalpojumu saņemšanai. Pirkuma čekā sniegts arī IKEA nosaukums un visu jūsu iegādāto preču kodi (astoņu ciparu kods).

Vai jums nepieciešama papildu palīdzība?

Ja vēlaties uzdot papildu jautājumus, kas neattiecas uz apkalpošanu pēc iegādes, sazinieties ar tuvākā IKEA veikala zvanu centru. Pirms sazināties ar mums, iesakām rūpīgi izlasīt ierīces dokumentāciju.

Informācija par rezerves daļām

- Tādas rezerves daļas kā termostati, temperatūras sensori, apdrukātas shēmas plātes un gaismas avoti būs pieejami profesionāliem labotājiem vismaz septiņus gadus pēc modeļa pēdējās vienības izvietojšanas tirgū.
- Tādas rezerves daļas kā durvju rokturi, durvju eņģes, plaukti un kastes būs pieejami profesionāliem labotājiem un gala lietotājiem vismaz septiņus gadus, bet durvju blīves vismaz 10 gadus pēc modeļa pēdējās vienības izvietojšanas tirgū.

Rezerves daļas meklējiet www.ikea.com

Зміст

Правила техніки безпеки	215	Щоденне використання	221
Інструкції з техніки безпеки.....	216	Чищення та догляд.....	221
Встановлення.....	218	Пошук та усунення несправностей.....	222
Перше використання.....	219	Технічна інформація.....	224
Опис виробу.....	220	Захист навколишнього середовища	224
Робота.....	220	Гарантія ІКЕА	225

Правила техніки безпеки

Перш ніж встановлювати та використовувати прилад, уважно прочитайте надані інструкції. Виробник не несе відповідальності, якщо неправильне встановлення або використання призвело до травмування або пошкодження. Завжди зберігайте інструкції разом із приладом для довідок у майбутньому.

Безпека дітей та беззахисних людей

**ПОПЕРЕДЖЕННЯ:**

Небезпека пожежі /
Легкозаймісті матеріали

- Цим пристроєм можуть користуватися діти віком від 8 років, а також особи з обмеженими фізичними, сенсорними чи розумовими здібностями, або з відсутністю досвіду та знань, але лише під наглядом або після проведення з ними інструктажу щодо безпечного використання цього пристрою та усвідомлення ними небезпеки, що впливає з використання цього пристрою. Дітям забороняється гратися з приладом. Дітям заборонено чистити та здійснювати інші заходи з обслуговування пристрою без нагляду дорослих. Слідкуйте, щоб діти не гралися з приладом.
- Цим приладом можуть користуватися діти віком від 3-х до 8 років та особи зі значними та важкими формами інвалідності, якщо з ними був проведений відповідний інструктаж.
- Діти молодше 3-х років не повинні знаходитись поруч із приладом без постійного нагляду дорослих.

- Не дозволяйте дітям гратися з приладом.
- Діти не повинні чистити та доглядати прилад без нагляду дорослих.
- Дітям віком від 3-х до 8 років дозволяється завантажувати та виймати продукти з холодильної техніки.
- Зберігайте всі пакувальні матеріали у недоступному для дітей місці та утилізуйте їх належним чином.

Загальна безпека

- Цей прилад призначений для використання в домашніх і подібних до них умовах, як-от:
 - на кухнях для персоналу в магазинах, офісах та інших робочих середовищах;
 - в сільських будинках та клієнтами в готелях, мотелях та інших помешканнях;
 - у житлових приміщеннях типу «ліжко та сніданок»;
 - для громадського харчування та подібних не роздрібних цілей.
- **ПОПЕРЕДЖЕННЯ:** Вентиляційні отвори у корпусі приладу або у шафі, де встановлено прилад, мають бути відкритими.
- **ПОПЕРЕДЖЕННЯ:** Не використовуйте механічні пристрої чи інші засоби для прискорення процесу розморожування, окрім рекомендованих виробником.
- **ПОПЕРЕДЖЕННЯ:** Не пошкоджуйте контур холодоагента.

- **ПОПЕРЕДЖЕННЯ:** Не використовуйте електричні пристрої всередині камер для зберігання продуктів харчування, окрім випадків, коли такі типи пристроїв рекомендовані виробником.
- **ПОПЕРЕДЖЕННЯ:** Не використовуйте струмінь води та пару для чищення приладу.
- **ПОПЕРЕДЖЕННЯ:** Чистіть прилад м'якою вологою серветкою. Використовуйте тільки нейтральні миючі засоби. Не використовуйте абразивні засоби, абразивні засоби чищення, розчинники чи металеві предмети.
- **ПОПЕРЕДЖЕННЯ:** Не зберігайте всередині приладу вибухонебезпечні речовини, як-от аерозольні балончики з легкозаймистим вмістом.
- **ПОПЕРЕДЖЕННЯ:** Щоб запобігти виникненню небезпечних ситуацій, заміну пошкодженого шнура живлення має виконувати виробник, його представник з технічного обслуговування або інші особи з відповідною кваліфікацією.
- **ПОПЕРЕДЖЕННЯ:** Під час встановлення цього приладу уникайте затискання чи пошкодження шнура живлення.
- **ПОПЕРЕДЖЕННЯ:** Не розміщуйте декілька переносних розеток або переносних блоків електроживлення позаду приладу.
- Відкривання дверей на тривалий час може значно підвищити температуру у камерах приладу.
- Регулярно чистіть поверхні, що вступають у контакт із продуктами харчування, а також дренажні системи, до яких є доступ.
- Почистіть резервуари для води, якщо вони не використовувалися протягом 48 годин; промийте систему подачі води, підключену до джерела води, якщо вода не зливалася протягом 5 днів.
- Зберігайте свіже м'ясо та рибу у відповідних контейнерах у холодильній камері, щоб вони не контактували з продуктами харчування та щоб рідини з них не потрапляли на інші продукти.
- Якщо протягом тривалого періоду часу в холодильнику не будуть зберігатися продукти, необхідно вимкнути його, очистити й залишити двері відкритими, щоб запобігти утворенню плісняви в середині приладу.
- Цей холодильник не підходить для заморожування продуктів харчування.
- Цей холодильник не передбачає можливість вбудовування в меблі.
- Камери для заморожених продуктів харчування із двома зірочками можуть використовуватися для зберігання попередньо заморожених продуктів, зберігання та приготування морозива та кубиків льоду.
- Відділення із однією, двома та трьома зірочками не призначені для замороження свіжої їжі.
- **ПОПЕРЕДЖЕННЯ:** Щоб попередити виникнення небезпечних ситуацій через нестійкість приладу, його встановлення слід виконувати з дотриманням інструкцій.

Інструкції з техніки безпеки

Встановлення

⚠ ПОПЕРЕДЖЕННЯ! Встановлення приладу має виконуватися виключно кваліфікованим персоналом.

- Зніміть все упакування.

- Не встановлюйте та не використовуйте пошкоджений прилад.
- Дотримуйтесь інструкцій зі встановлення, що додаються до цього приладу.
- Переміщаючи прилад, будьте обережними та зважайте на його вагу. Надягніть захисні рукавиці та закріпте взуття.

- Будьте обережні, щоб не пошкодити підлогу (наприклад, паркет) під час переміщення пристрою.
- Переконайтеся, що пристрій не встановлений біля джерела тепла.
- Встановіть та вирівняйте пристрій на підлозі, яка здатна витримати вагу пристрою, та у місці, яке підходить для розміру та використання пристрою.
- Забезпечте достатню циркуляцію повітря навколо приладу.
- Якщо встановлюєте холодильник вперше або щойно перевісили двері, почекайте щонайменше 4 години, перш ніж підключати прилад до мережі живлення. Це необхідно для того, щоб олива повернулася в компресор.
- Перш ніж виконувати будь-які операції на приладі (наприклад, перевішування дверей), витягніть штепсельну вилку з розетки.
- Задня сторона приладу повинна бути повернутою до стіни.
- Не розміщуйте прилад під прямим сонячним промінням.
- Не встановлюйте цей прилад в занадто вологих та холодних місцях, наприклад, у винних льохах.

Електричне з'єднання

⚠ ПОПЕРЕДЖЕННЯ! Ризик виникнення пожежі та ураження електричним струмом.

⚠ ПОПЕРЕДЖЕННЯ! Під час встановлення цього приладу уникайте затискання чи пошкодження шнура живлення.

- ⚠ ПОПЕРЕДЖЕННЯ!** Не використовуйте мережеві розгалужувачі або подовжувачі.
- Прилад має бути заземлено.
 - Переконайтесь, що параметри, зазначені на паспортній табличці приладу, збігаються з електричними показниками джерела живлення.
 - Завжди використовуйте правильно встановлену заземлену розетку.
 - Запобігайте пошкодженню електричних компонентів приладу (штепсельної вилки, кабелю живлення, компресора). Зверніться в уповноважений сервісний центр або до електрика, якщо необхідна заміна електричних деталей.
 - Кабель живлення повинен розміщуватися нижче штепсельної вилки.
 - Підключіть штепсельну вилку приладу в розетку в кінці встановлення. Переконайтесь, що ніщо не перешкоджає вільному доступу до штепсельної вилки після підключення.
 - Не тягніть за кабель живлення, щоб вимкнути прилад з розетки. Завжди беріться за штепсельну вилку.

- Лише для Великобританії та Ірландії: Цей прилад обладнано штепсельною вилкою на 13 А. Якщо необхідно замінити запобіжник штепсельної вилки, використовуйте тільки запобіжник 13 А АСТА (BS 1362).

Використання

⚠ ПОПЕРЕДЖЕННЯ! Ризик травмування, отримання опіків, ураження електричним струмом або пожежі.



Трубки охолоджувального контура містять невелику кількість нешкідливого для довкілля, але легкозаймистого холодоагенту R600a. Він не пошкоджує озонний шар та не збільшує парниковий ефект. У разі витіку холодоагент може поранити ваші очі або спалахнути. Не пошкоджуйте ці трубки.

- Поверхня компресора може нагріватися за нормальної роботи приладу. Не торкайтесь її руками.
- Не змінюйте технічні характеристики приладу.
- Не встановлюйте електричні прилади (наприклад, морозильниці) в холодильник, якщо це не дозволено їхнім виробником.
- Якщо виникає пошкодження контуру холодоагенту, переконайтесь, що в приміщенні немає джерел вогню та запалення. Провітріть приміщення.
- Не дозволяйте гарячим предметам торкатися пластикових деталей приладу.
- Не зберігайте напої в пляшках в морозильній камері, щоб уникнути вибухів та інших пошкоджень.
- Не зберігайте у приладі займисті гази або рідини.
- Не кладіть поблизу або на прилад займисті вироби чи вологі предмети, що містять займисті вироби.
- Не торкайтесь компресора чи конденсатора. Вони гарячі.
- Не виймайте й не торкайтесь предметів у морозильній камері мокрими або вологими руками.
- Не ковтайте вміст (нетоксичний) із пакетів з льодом.
- Не їжте кубики льоду або фруктове морозиво одразу після виймання з морозильного відділення — це може призвести до обмороження.
- Не рекомендується повторно заморозувати розморожені продукти харчування.
- Дотримуйтесь інструкцій зі зберігання, вказаних на пакуванні продуктів.

Внутрішнє освітлення

⚠ ПОПЕРЕДЖЕННЯ! Ризик ураження електричним струмом.

- Лампа, що використовується всередині приладу, спеціально спроектована для домашніх приладів та не підходить для звичайного освітлення кімнат в домі ((EU) 2019/2020).

Догляд і чищення

⚠ ПОПЕРЕДЖЕННЯ! Ризик травми чи пошкодження приладу.

- Перш ніж проводити технічне обслуговування, вимкніть прилад і витягніть штепсельну вилку з електричної розетки.
- У холодильному агрегаті цього приладу міститься вуглеводень. Проводити технічне обслуговування та заправляти агрегат може лише кваліфікована особа.
- Регулярно перевіряйте дренаж приладу й, за необхідності, чистіть його. Якщо дренаж заблоковано, внизу приладу збирається тала вода.

Ремонт

- Для ремонту приладу звертайтеся в уповноважений сервісний центр, вказаний в кінці цього посібника.

- Використовуйте лише оригінальні запасні частини.

Утилізація

⚠ ПОПЕРЕДЖЕННЯ! Ризик травми чи задушення.

- Від'єднайте прилад від електричної розетки.
- Відріжте кабель живлення та позбавтеся його.
- Зніміть двері, щоб всередині не могли закритися діти або тварини.
- Контур холодоагента та ізоляційні матеріали, що використовуються в цьому приладі, є озонобезпечними.
- Ізоляційна піна містить займистий газ. Зверніться до свого муніципального органу влади, щоб дізнатися, як правильно утилізувати прилад.
- Не допускайте пошкодження частини холодильного агрегата, що знаходиться поряд із теплообмінником.

Виробник відхиляє будь-яку відповідальність за травмування людей або тваринам, а також за пошкодження власності у разі нехтування вищенаведеними порадами та попередженнями.

Встановлення

⚠ ПОПЕРЕДЖЕННЯ! Перед тим як встановити цей прилад уважно прочитайте інформацію щодо безпеки у цьому буклеті.

Контрольний список перевірок перед встановленням**Двері**

- Двері повністю прилягають до холодильника з усіх боків
- Двері вирівняні

Вирівнювання

- Холодильник виставлений за рівнем

Електроживлення

- Зачекайте 4 години
- Живлення в оселі увімкнене
- Холодильник підключений до електромережі

Кінцева перевірка

- Пакувальні матеріали прибрані
- Температура холодильника встановлена

Виставлення

- Для встановлення цього пристрою виконайте окремі інструкції зі збирання.
- Установіть прилад у місці, де температура довкілля відповідає класу клімату, вказаному на заводській табличці приладу. Це забезпечить правильну роботу цього приладу. Пояснення кліматичних класів таке:

Кліматичний клас	Температура навколишнього середовища
SN	від +10°C до +32°C
N	від +16°C до +32°C
ST	від +16°C до +38°C
T	від +16°C до +43°C

- «SN» означає, що цей холодильний прилад призначений для використання при температурі навколишнього середовища від 10°C до 32°C.
- «N» означає, що цей холодильний прилад призначений для використання при температурі навколишнього середовища від 16°C до 32°C.
- «ST» означає, що цей холодильний прилад призначений для використання при температурі навколишнього середовища від 16°C до 38°C.
- «T» означає, що цей холодильний прилад призначений для використання при температурі навколишнього середовища від 16°C до 43°C.

- ⓘ У деяких моделях приладів можуть виникати певні функціональні проблеми під час їх використання за межами вказаного температурного діапазону. Правильна робота може бути гарантована лише під час використання у межах вказаного температурного діапазону. Якщо у вас є будь-які сумніви щодо встановлення, зверніться до продавця, до нашого центру з обслуговування клієнтів або до найближчого уповноваженого сервісного центру.

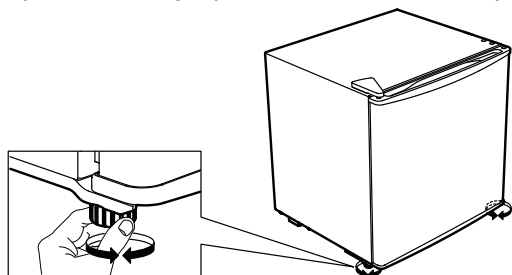
Розміщення

Для забезпечення найкращої продуктивності встановіть прилад на достатній віддалі від джерел тепла, таких як радіатори, бойлери, пряме сонячне проміння. Забезпечте вільну циркуляцію повітря навколо корпусу.

Виставлення приладу

Якщо прилад нахилиється в якийсь бік, відрегулюйте висоту двох його передніх ніжок, щоб вирівняти його. Докладнішу інформацію дивіться в окремій інструкції зі збирання.

1. Витягніть штепсельну вилку приладу з електричної розетки.
2. Щоб підняти прилад, повертайте ніжку за годинниковою стрілкою. Щоб опустити прилад, повертайте ніжку проти годинникової стрілки.



Перше використання

Підключіть прилад до джерела живлення. Ідеальні температури для зберігання продуктів уже встановлені на фабриці (помірні).

Примітка: Після вмикання цього приладу потрібно 4 – 5 годин для досягнення правильної температури для зберігання типового об'єму продуктів.

Очищення приладу

Перед першим використанням приладу очистіть його, щоб видалити типовий запах нового виробу.

1. Переконайтеся, що пристрій від'єднаний від джерела живлення.
2. Протріть внутрішню частину м'якою зволоженою тканиною.
3. Вимийте внутрішні аксесуари теплою водою з нейтральним милом, а потім ретельно висушіть.

ПОПЕРЕДЖЕННЯ!

Не використовуйте абразивні продукти, засоби для чищення, що містять хлор або кислоту, а також розчинники.

- Не використовуйте скребкові або абразивні губки. Металеві поверхні можуть піддаватися корозії.
- Ніколи не мийте аксесуари в посудомийній машині. Вони можуть деформуватися.

Електричне з'єднання

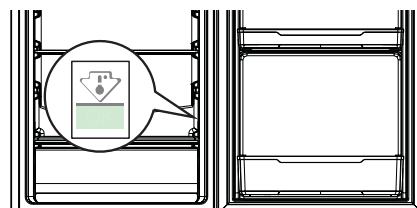
⚠ ПОПЕРЕДЖЕННЯ! Усі електромонтажні роботи під час встановлення приладу мають виконуватися кваліфікованим електриком або компетентною особою.

⚠ ПОПЕРЕДЖЕННЯ! Прилад необхідно заземлити. Недотримання цих інструкцій може призвести до смерті, пожежі або ураження електричним струмом.

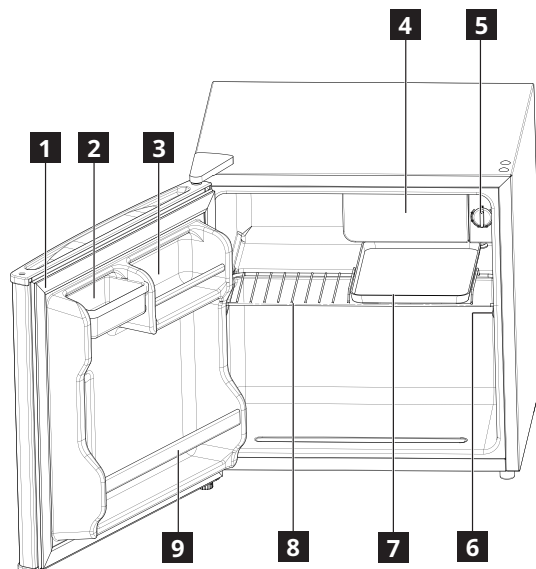
Виробник не несе жодної відповідальності у разі недотримання цих заходів безпеки. Цей прилад відповідає Директивам ЄЕС.

Важливо!

Відповідно до положень, прийнятих у деяких країнах, у нижній холодильній камері має бути встановлений спеціальний пристрій (див. рис. внизу), що вказує найбільш холодну зону холодильника.



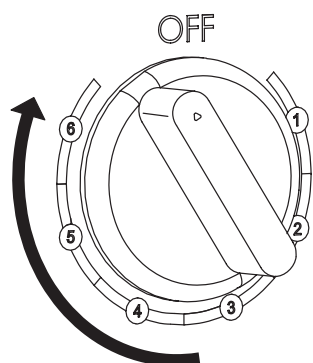
Опис виробу



- 1** Ущільнення дверей
- 2** Коробка для зберігання
- 3** Тримач бляшанок
- 4** Холодильне відділення

- 5** Регулятор температури
- 6** Паспортна табличка
- 7** Лоток для розморожування
- 8** Полиця
- 9** Тримач пляшок

Робота



Під час регулювання температури враховуйте, що температура всередині приладу залежить від таких обставин:

- температура у приміщенні
- частота відкривання дверей
- кількість продуктів всередині
- розташування цього пристрою

Важливо! Якщо температура навколишнього середовища висока чи прилад повністю завантажений, і при цьому на приладі встановлена найнижча температура, він може працювати безперервно, що призведе до обмерзання задньої стінки камери. У такому випадку встановіть більш високу температуру, щоб увімкнулось автоматичне розморожування та, відповідно, зменшилось енергоспоживання.

Поради:

- Чим нижча встановлена температура, тим довше можна безпечно зберігати ваші продукти та тим більше електроенергії споживатиме ваш прилад.
- Чим вища встановлена температура, тим швидше псуватимуться ваші продукти та менше електроенергії споживатиме ваш прилад.

Вимикання

Щоб вимкнути прилад, поверніть ручку регулятора температури в положення «OFF.», а потім вийміть вилку з розетки.

Увімкнення

Підключіть вилку до розетки та відрегулюйте температуру. Прилад увімкнеться і почне працювати.

Налаштування температури

Температура регулюється автоматично.

Для налаштування температури:

- Поверніть регулятор температури в бік нижчого значення, щоб зменшити охолодження.
- Поверніть регулятор температури в бік вищого значення, щоб збільшити охолодження.

- i** Середнє налаштування зазвичай найоптимальніше.

Щоденне використання

Поради щодо охолодження свіжих продуктів харчування

- Накрийте або загорніть продукти, особливо, якщо вони мають сильний аромат.
 - Розмістіть продукти так, щоб забезпечити вільну циркуляцію повітря навколо них.
 - Для найкращої роботи залишіть у холодильній камері достатньо вільного простору, щоб забезпечити циркуляцію повітря між запакованими продуктами. Також залишіть достатньо вільного місця спереду, щоб можна було надійно закрити двері.
 - Не зберігайте гарячу їжу або рідини, які випаровуються, у холодильнику.
 - Готова їжа, холодні блюда: накрийте та помістіть на будь-яку полицю.
 - Фрукти й овочі: ретельно помийте та покладіть у шухляду для овочів. Банани, картоплю, лук і часник не слід зберігати в холодильнику без пакування.
 - Масло та сир: покладіть у спеціальний герметичний контейнер або загорніть в алюмінієву фольгу чи покладіть в поліетиленові пакети, щоб максимально не допускати потрапляння повітря.
 - Пляшки: закрийте кришками та помістіть на дверні полиці.
- Для забезпечення достатньої вентиляції дотримуйтеся інструкцій зі встановлення.
 - Недостатня вентиляція позаду пристрою збільшує витрати електроенергії та зменшує ефективність охолодження.
 - На внутрішню температуру в пристрої впливають температура оточення, частота відкривання дверей та місце розташування пристрою. Для налаштування температури слід враховувати ці фактори.
 - Перед тим, як класти теплі продукти харчування та напої до холодильника, зачекайте, доки вони охолонуть.
 - Не блокуйте вентилятор (за наявності) продуктами харчування.
 - Після ставлення або виймання продуктів належно закривайте двері, особливо двері морозильної камери.
 - Скоротіть кількість разів відкривання дверей до необхідного мінімуму.
 - Розморожуйте заморожені продукти в холодильному відділенні. Низька температура заморожених продуктів буде охолоджувати інші продукти в холодильному відділенні.
 - Розташування полиць у холодильнику жодним чином не впливає на ефективність використання електроенергії. Розташовуйте продукти на полицях таким чином, щоб забезпечити достатню циркуляцію повітря (продукти не мають торкатися один одного, також слід забезпечити вільний простір між продуктами та задньою стінкою.)
 - Ушкоджене ущільнення слід замінити якнайшвидше.

Поради щодо економії електроенергії

- Встановлюйте пристрій у сухому приміщенні з гарною вентиляцією та подалі від джерел тепла (зокрема, батарея, плита тощо) та прямих сонячних променів. За необхідності використовуйте ізолюючу пластину.

Чищення та догляд

Загальні поради

- Регулярно чистіть прилад ганчіркою, змоченою у теплій воді з м'яким засобом, спеціально призначеним для внутрішніх поверхонь холодильників. Не використовуйте абразивні засоби для чищення чи інструменти.
- Перш ніж виконувати технічне обслуговування чи очищення, витягніть штекер пристрою з розетки.

ПОПЕРЕДЖЕННЯ! Аксесуари холодильника не треба класти в посудомийну машину.

Розморожування приладу

- Розморожуйте прилад щоразу, коли шар інею на поверхні випарника стане товщиною від 3 до 4 мм.
- Перед розморожуванням вийміть усі продукти та вимкніть прилад. Помістіть лоток для розморожування під випарник для збирання в нього талої води.

- Коли весь іній розтане, злийте талу воду, витріть внутрішню частину приладу сухою тканиною та знову ввімкніть прилад.

Якщо ви не використовуєте прилад тривалий час

1. Вимкніть прилад.
2. Від'єднайте прилад від джерела електроживлення.
3. Вийміть усі продукти харчування.
4. Розморозьте та почистіть прилад.
5. Залиште двері трохи відкритими, щоб у відділеннях могло циркулювати повітря. Це запобігатиме утворенню плісняви та неприємних запахів.

У разі аварійного відключення живлення

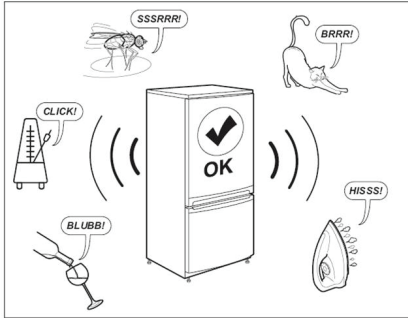
- Залишайте двері пристрою закритими. Це дозволить зберегти продукти холодними якнайдовше.

Пошук та усунення несправностей

Проблема	Можлива причина	Розв'язання
Прилад не працює.	Прилад вимкнено.	Увімкніть прилад.
	Штепсельна вилка не підключена до електричної розетки правильно.	Вставте штепсельну вилку в електричну розетку правильно.
	Відсутня напруга в електричній розетці.	Щоб дізнатися, чи електрична розетка працює, під'єднайте до неї інший електричний пристрій. Зверніться до кваліфікованого електрика для ремонту електричної розетки.
Прилад працює шумно.	Прилад встановлено ненадійно.	Вирівняйте прилад. Див. розділ «Вирівнювання приладу» або окрему інструкцію зі збирання.
Компресор працює безперервно.	Встановлено занадто низьку температуру.	Встановіть вищу температуру. Див. розділ «Керування».
	Одночасно завантажено багато продуктів.	Зачекайте декілька годин, а тоді знову перевірте температуру.
	Температура у приміщенні занадто висока.	Якщо можливо, перемістіть прилад. Див розділ «Розташування».
	Завантажені у прилад продукти були надто теплими.	Перед тим як завантажувати продукти, дайте їм охолонути до кімнатної температури.
	Двері закриті неправильно.	Див. розділ «Закривання дверей».
Температура всередині приладу надто низька або надто висока.	Температура встановлена неправильно.	Встановіть більш високу або більш низьку температуру.
	Двері закриті неправильно.	Див. розділ «Закривання дверей».
	Завантажені у прилад продукти були надто теплими.	Перед тим як завантажувати продукти, дайте їм охолонути до кімнатної температури.
	Одночасно завантажено багато продуктів.	Завантажуйте одночасно менше продуктів.
	Товщина наморозі перевищує 4–5 мм.	Розморозьте прилад.
	Двері відкривалися надто часто.	Відкривайте двері лише за необхідності.
	Всередині приладу недостатня циркуляція холодного повітря.	Перемістіть продукти так, щоб забезпечити вільну циркуляцію повітря у приладі.
Двері не закриваються до кінця.	Див. розділ «Закривання дверей».	Див. розділ «Закривання дверей».

Нормальні шуми

Такі шуми, як булькотіння та шипіння, є нормальним явищем під час роботи системи охолодження.



Закривання дверей

Якщо	Виконайте
Забруднилося ущільнення дверей.	Почистіть його.
Ущільнення дверей пошкоджене.	Зверніться в уповноважений центр сервісного обслуговування, щоб замінити його.
Двері блокуються полицями, шухлядами, продуктами тощо.	Розмістіть правильно або вийміть об'єкти, що блокують двері.
Прилад встановлено нерівно.	Вирівняйте прилад. Див. розділ «Вирівнювання приладу» або окрему інструкцію зі збирання.
Двері не виставлені відносно камери.	Налаштуйте двері. Див. інструкції зі збирання, що надаються окремо.

Перед тим як звернутися в центр сервісного обслуговування:

Перезапустіть пристрій, щоб перевірити, чи не зникла несправність. Якщо несправність зберігається, вимкніть пристрій ще раз і повторіть процедуру за годину.

Якщо ваш пристрій не працює належним чином після виконання перевірок у розділі усунення несправностей та повторного вмикання пристрою, зверніться до служби післяпродажного обслуговування із чітким описом проблеми та наступною інформацією:

- суть проблеми
 - дату придбання
 - модель та серійний номер приладу
- ❶ Номер виробу та серійний номер вказані на паспортній табличці на правій внутрішній стінці приладу.

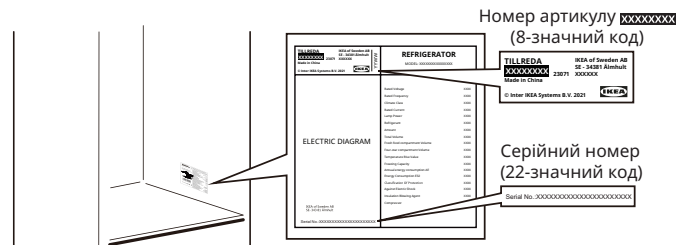


Рисунок лише для довідки


Технічна інформація

Категорія виробу	
Тип виробу	Холодильник
Тип встановлення	Встановлюється окремо
Розміри виробу	
Висота	492 мм
Ширина	472 мм
Глибина	450 мм
Корисний об'єм	
Холодильна камера	43,0 л
Система розмороження	
Холодильна камера	Вручну
Інші характеристики	
Клас морозильної камери	Н/Д
Час зростання температури	Н/Д
Споживання енергії	80 кВт-год/рік
Рівень шуму	41 дБ(А)
Клас енергоспоживання	Е
Номинальна напруга	220–240 В~
Номинальна частота	50 Гц
Джерело світла, клас енергоефективності	Н/Д

Примітка: Інформацію про виріб у базі даних виробів можна отримати, відсканувавши QR-код на етикетці EPREL.

Захист навколишнього середовища

1. Пакувальні матеріали 


Матеріали, що підлягають вторинній переробці, позначені символом .

Кладіть пакувальні матеріали у відповідні контейнери для переробки.

Зберігайте матеріали упакування (пластикові пакети, полістиролові деталі тощо) у місцях, недосяжних для дітей, тому що вони є потенційним джерелом небезпеки.

2. Утилізація

Пристрій виготовлений із використанням матеріалів, придатних для вторинної переробки. Цей пристрій відповідає вимогам Європейської Директиви 2002/96/ЕС про відходи електричного й електронного обладнання (ВЕЕО). Забезпечуючи правильну утилізацію цього приладу, ви можете допомогти уникнути можливих негативних наслідків для довкілля та здоров'я людей.

Символ  на пристрої або у супроводжувальних

документах вказує на те, що пристрій не слід відносити до побутових відходів. Його треба здавати у спеціальний центр переробки електричного та електронного обладнання. Для утилізації пристрою зробіть неможливим його використання. Обріжте кабель живлення й зніміть двері та полиці, щоб діти не змогли залізти всередину та залишитися там закритими.

Утилізуйте пристрій відповідно до місцевого законодавства. Відвезіть його до відповідного центру прийому і не залишайте його без нагляду навіть декілька днів, тому що він є потенційно небезпечним для дітей.

Для отримання додаткової інформації щодо обробки та переробки цього пристрою зверніться до компетентного місцевого органу, служби збору побутових відходів чи до магазину, де ви купували цей пристрій.

Декларація відповідності

- Цей прилад призначений для зберігання продуктів харчування та виготовлений згідно з Постановою (ЄС) № 1935/2004.



- Цей пристрій був розроблений, виготовлений та проданий згідно з:
 - цілями реалізації техніки безпеки Директиви щодо низьковольтного обладнання 2014/35/ЄС (що замінює 2006/95/CE та наступні поправки);

- вимогами захисту Директиви щодо електромагнітної сумісності 2014/30/ЄС.
- Цей пристрій був розроблений, виготовлений та проданий згідно з:
 - Правила щодо електромагнітної сумісності 2016
 - Правила щодо (безпеки) електричного обладнання 2016

**Гарантія ІКЕА****Протягом якого періоду діє гарантія ІКЕА?**

Ця гарантія дійсна протягом **2 років** з дати придбання вашого пристрою, якщо інше не передбачене національним законодавством. У Норвегії, Португалії та Іспанії гарантія дійсна упродовж 3 років із дати постачання покупцю, якщо інше не передбачене національним законодавством. У якості доказу покупки слід надавати оригінальний товарний чек. Гарантійне обслуговування не призводить до подовження гарантійного терміну.

Хто здійснює обслуговування?

Призначений компанією ІКЕА постачальник послуг забезпечить обслуговування власними силами або за допомогою мережі уповноважених сервісних партнерів.

На що поширюється гарантія?

Гарантія поширюється на такі несправності приладу, що сталися після придбання приладу в ІКЕА або спричинені дефектами конструкції й матеріалів. Ця гарантія поширюється лише на несправності, пов'язані з побутовим використанням. Виключення з гарантії наводяться у розділі «На які випадки не поширюється ця гарантія?» Протягом гарантійного періоду витрати на усунення проблеми, як-от ремонт, запчастини, робота й транспортування, покриваються гарантією, за умови того, що прилад можна легко демонтувати без додаткових витрат. У разі дотримання цих умов будуть діяти правила ЄС (99/44/EG) та відповідні місцеві норми. Замінені деталі стають власністю ІКЕА.

Як ІКЕА вирішує виявлені проблеми?

Призначений компанією ІКЕА постачальник послуг вивчає пристрій і на власний розсуд вирішує, чи покривається випадок гарантією. Якщо покривається, тоді постачальник послуг або уповноважений сервісний партнер ІКЕА використовує власні потужності та на власний розсуд вирішує або чинити несправний виріб, або замінити його на такий самий або аналогічний виріб.

На які випадки не поширюється ця гарантія?

- Природне зношування.
- Навмисне пошкодження чи пошкодження, спричинене недбалістю, пошкодження через недотримання інструкцій з експлуатації, неправильне встановлення чи підключення до електромережі з невідповідною напругою, пошкодження внаслідок хімічної чи електрохімічної реакції, іржавіння, корозія чи пошкодження водою, зокрема пошкодження через надмірний рівень кальцію у воді, пошкодження через аномальні умови навколишнього середовища.
- Витратні матеріали, включено з батареями й лампами.
- Нефункціональні та декоративні деталі, які не впливають на звичайне використання приладу, включно з подряпинами та знебарвленням.
- Випадкове пошкодження, спричинене сторонніми предметами чи речовинами та чищенням чи розблокуванням фільтрів, дренажних систем чи мастильних систем.
- Пошкодження таких деталей: керамічне скло, додаткове приладдя, тарілки та сушарки для столових приборів, труби подачі та відведення води, лампи та кришки ламп, екрани, регулятори, корпуси та частини корпусів. Хіба що буде доведено, що пошкодження цих деталей спричинене дефектами виробництва.
- Випадки, коли під час візиту техніка не виявлено жодних проблем.
- Ремонт, виконаний не нашими офіційними постачальниками послуг та/або уповноваженими сервісними партнерами, або такий, під час якого використовувалися неоригінальні деталі.
- Ремонт, потрібний через неналежне встановлення або встановлення з порушенням вимог.
- Використання приладу в умовах, відмінних від побутових, як-от професійне використання.

- Пошкодження під час транспортування. Якщо покупець транспортує виріб додому або до іншої адреси, компанія IKEA не несе відповідальності за жодні пошкодження під час транспортування. Проте, якщо компанія IKEA доставляє виріб до вказаної покупцем адреси, і під час доставки стаються пошкодження, такий випадок покривається гарантією IKEA.
- Вартість першого встановлення приладу IKEA. Проте, якщо призначений компанією IKEA постачальник послуг або уповноважений сервісний партнер ремонтує чи замінює пристрій згідно цієї гарантії, такий призначений постачальник послуг або уповноважений сервісний партнер за необхідності встановить відремонтований або новий пристрій.

Такі обмеження не поширюються на роботи, виконані без порушень кваліфікованим спеціалістом з використанням наших оригінальних частин з метою адаптування приладу до умов технічної безпеки іншої країни ЄС.

Застосування місцевих законів

Гарантія IKEA надає вам певні права, які включають або перевищують усі місцеві законні права. Проте ці умови жодним чином не обмежують права покупця, описані в місцевих законах.

Область дії

Якщо прилад придбано в одній країні ЄС та перевезено до іншої країни ЄС, послуги надаватимуться в межах гарантійних умов, звичних для нової країни.

Зобов'язання щодо обслуговування в межах гарантії існує лише для приладів, що відповідають та встановлені згідно з такими положеннями:

- технічні стандарти країни, в якій подається заява на гарантійне обслуговування;
- інструкції зі збирання та правила техніки безпеки з інструкцій користувача.

Спеціальна служба післяпродажного обслуговування приладів IKEA

Звертайтеся до служби післяпродажного обслуговування IKEA з такими питаннями:

- Подання заяви на гарантійне обслуговування.
- Питання щодо встановлення приладу IKEA у спеціальних кухонних меблях IKEA.
- Роз'яснення роботи функцій пристроїв IKEA.

З метою забезпечити найкраще обслуговування, уважно прочитайте інструкції зі збирання та/або інструкції користувача, перш ніж звертатися до нас.

Як звернутися до нас за обслуговуванням



Телефонні номери уповноважених центрів сервісного обслуговування IKEA можна знайти в кінці цього посібника.

- ❗ **Задля забезпечення максимально швидкого обслуговування, рекомендується користуватися номерами телефонів, що вказані в кінці цього посібника. Завжди звертайтеся за номерами, що вказані у брошурі відповідного приладу, стосовно яких вам потрібна допомога. Будь ласка, не забудьте надати 8-значний номер виробу та 22-значний серійний номеру, зазначений на паспортній табличці вашого приладу.**

❗ ЗБЕРЕЖІТЬ ТОВАРНИЙ ЧЕК!

Він служить доказом покупки та необхідний для надання гарантійного обслуговування. На товарному чеку також можна знайти назву та номер виробу IKEA (8-значний код) для кожного придбаного вами пристрою.

Вам потрібна додаткова допомога?

Якщо у вас є якісь додаткові питання, не пов'язані з післяпродажним обслуговуванням ваших пристроїв, зателефонуйте до контактному центру найближчого магазину IKEA. Ми рекомендуємо уважно прочитати документацію приладу, перш ніж звертатися до нас.

Інформація про запчастини

- Такі запчастини, як термостати, датчики температури, друковані плати та джерела світла, будуть доступні для професіональних майстрів із ремонту упродовж щонайменше семи років після виходу останнього екземпляра цієї моделі у продаж.
- Такі запчастини, як дверні ручки, дверні зависи, лотки та кошики, будуть доступні для професіональних майстрів із ремонту та кінцевих споживачів упродовж щонайменше семи років, а ущільнення для дверей упродовж щонайменше 10 років, після виходу останнього екземпляра цієї моделі у продаж.

Запчастини можна знайти на www.ikea.com

Sisukord

Ohutusteave	227	Igapäevane kasutamine	232
Ohutusjuhised	228	Puhastamine ja hooldus	232
Paigaldamine	230	Tõrkeotsing	233
Esmakordne kasutamine	231	Tehniline teave	235
Toote kirjeldus	231	Keskkonnaküsimused	235
Kasutamine	231	IKEA Garantii	236

Ohutusteave

Lugege kaasasolevaid juhiseid enne seadme paigaldamist ja kasutamist. Tootja ei vastuta, kui seade on valesti paigaldatud või põhjustab kehavigastusi või varakahju. Hoidke juhised alati koos seadmega, et saaksite nendega vajadusel tutvuda.

Laste ja haavatavate isikute ohutus



HOIATUS: Tuleoht / tuleohtlikud materjalid

- Seadet tohivad kasutada lapsed alates 8. eluaastast, vähenenud füüsiliste, sensorsete või vaimsete võimetega isikud või varasemate kogemuste ja teadmisteta isikud järelevalve all, kui neile õpetatakse seadme ohutut kasutamist ning kui nad mõistavad seadmega seotud ohtusid. Lapsed ei tohi seadmega mängida. Lapsed ei tohi seadet puhastada ega hooldada ilma järelevalveta. Tuleb jälgida, et lapsed seadmega ei mängiks.
- 3- kuni 8-aastased lapsed ja ulatuslike või keeruliste puuetega isikud võivad seda seadet kasutada, kui neid on selleks õigesti juhendatud.
- Alla 3-aastased lapsed tuleb seadmest ilma järelevalveta eemale hoida.
- Ärge lubage lastel seadmega mängida.
- Järelevalveta lapsed ei tohi seadet puhastada või hooldada.
- 3- kuni 8-aastastel lastel on lubatud külmutusseadmete laadimine ja tühjendamine.
- Hoidke pakkematerjal lastest eemale ja kõrvaldage vastavalt nõuetele.

Üldine ohutus

- Seade on mõeldud koduseks või sarnaseks kasutuseks, nagu näiteks:
 - poodide töötajatele mõeldud aladel, kontorites ja muudes töökeskkondades,
 - talumajades ja hotellide, motellide ja muude majutusasutuse tüüpi asutuste keskkonnas;
 - hommikusöögiga öömaja pakkuvates keskkondades;
 - toitlustuses ja muus sarnases mitte-jaemüügi tegevustes.
- **HOIATUS:** Hoidke ventilatsioonivad seadme korpuses või sisseehitatud konstruktsioonis takistustest vabad.
- **HOIATUS:** Ärge kasutage sulatusprotsessi kiirendamiseks mehaanilisi seadmeid ega muid vahendeid peale tootja soovitatute.
- **HOIATUS:** Ärge kahjustage külmaaine ringlust.
- **HOIATUS:** Ärge kasutage seadme toidu säilitamise kambrites elektrilisi seadmeid, välja arvatud juhul kui seda tüüpi seadmete kasutamist soovitab tootja.
- **HOIATUS:** Ärge kasutage seadme puhastamiseks veepihustust või auru.
- **HOIATUS:** Puhastage seadet niisutatud pehme lapiga. Kasutage ainult neutraalseid puhastusvahendeid. Keelatud on kasutada abrasiivseid tooteid, abrasiivseid puhastuspatju, lahusteid või metallesemeid.

- **HOIATUS:** Ärge hoiustage tootes lõhkematerjale, näiteks aerosoolikanistreid, mis sisaldavad tuleohtlikku pakendigaasi.
- **HOIATUS:** Kui toitejuhe on kahjustunud, siis ohtude ennetamiseks tuleb lasta see välja vahetada tootjal, selle teeninduses või sarnase kvalifikatsiooniga isikul.
- **HOIATUS:** Seadme paigutamisel veenduge, et toitejuhe ei jää teiste esemete taha kinni ja on kahjustusteta.
- **HOIATUS:** Ärge jätke seadme taha pikendusjuhtmeid või kaasaskantavaid toiteallikaid.
- Ukse pikalt lahti jätmine võib põhjustada seadme sisemuse märkimisväärset soojenemist.
- Puhastage toiduga kokku puutuvaid pindu ja juurdepääsetavaid äravoolusüsteeme regulaarselt.
- Puhastage veepaagid, kui neid ei ole kasutatud 48 tundi. Loputage veevarustusega ühendatud veesüsteem, kui seadmest ei ole viie päeva jooksul vett võetud.
- Hoidke toorest liha ja kala külmikus sobivates anumates ja sedasi, et need ei oleks kontaktis teiste toiduainetega ning ei saa neile tilkuda.
- Kui külmutusseade jääb pikemaks ajaks tühjalt seisma, siis lülitage see välja, sulatage, puhastage, kuivatage ja jätke uks lahti, sest sedasi väldite seadmes hallituse teket.
- Külmik ei ole sobilik toiduainete külmutamiseks.
- See külmutusseade ei ole mõeldud kasutamiseks sisse-ehitatuna.
- Kahe tähega külmutatud toiduainete lahtrid sobivad varem külmutatud toiduainete hoiustamiseks, jäätise hoiustamiseks või valmistamiseks ja jääkuubikute valmistamiseks.
- Ühe, kahe ja kolme tähega lahtrid ei sobi värskete toiduainete külmutamiseks.
- **HOIATUS:** seadme ebastabiilsusest tulenevate ohtude vältimiseks tuleb see kinnitada vastavalt juhiste.

Ohutusjuhised

Paigaldamine

⚠ HOIATUS! Seadme peab paigaldama vajaliku kvalifikatsiooniga isik.

- Eemaldage kogu pakend.
- Ärge paigaldage või kasutage kahjustatud seadet.
- Järgige seadmega kaasasolevat paigaldamise juhendit.
- Olge seadme liigutamisel ettevaatlik, sest see on raske. Kasutage alati kaitsekindaid ja kaitsekestaga jalatseid.
- Olge seadme teisaldamisel ettevaatlik, et mitte põrandat (nt parkett) kahjustada.
- Veenduge, et seade ei oleks soojusallika läheduses.
- Paigaldage ja pange seade loodi piisavalt tugevale põrandale, mis talub selle raskust, ning selle suurusele ja kasutusotstarbele sobivasse kohta.
- Veenduge, et seadme ümber on vaba õhuringlus.
- Pärast esimest paigaldamist või ukse pööramist oodake enne seadme toiteallikaga ühendamist vähemalt 4 tundi. Sedasi on õilil aega kompressorisse tagasi voolata.

- Enne seadme mistahes toimingute teostamist (näiteks ukse pööramine), eemaldage pistik vooluvõrgust.
- Seadme tagumine külg peab jääma vastu seinu.
- Seadet ei tohi paigaldada otsese päikesevalguse kätte.
- Seadet ei tohi paigaldada liiga niiskesse või külma asukohta, nagu näiteks veinikeldrid.

Elektriühendus

⚠ HOIATUS! Tulekahju ja elektrilöögi oht.

⚠ HOIATUS! Seadme paigutamisel veenduge, et toitejuhe ei jää teiste esemete taha kinni ja on kahjustusteta.

- ⚠ HOIATUS!** Ärge kasutage mitme pistikupesaga adaptoreid või pikendusjuhtmeid.
- Seade peab olema maandatud.
 - Veenduge, et andmeplaadil toodud parameetrid vastaks elektrivõrgu toiteallikale.
 - Kasutage alati õigesti paigaldatud ja elektrilöögi kindlat pistikupesat.

- Veenduge, et te ei kahjusta elektrilisi komponente (nt toitepistik, toitekaabel, kompressor). Elektriliste komponentide asendamiseks võtke ühendust volitatud teeninduskeskusega või elektrikuga.
- Toitekaabel peab jääma toitepistikust allapoole.
- Ühendage toitekaabel toitepistikusse ainult pärast paigaldamisega lõpetamist. Veenduge, et toitepistik jääb pärast paigaldamist juurdepääsetavaks.
- Seadme toitevõrgust eemaldamisel ei tohi tõmmata toitekaablist. Tõmmake alati toitepistikust.
- Ainult Ühendkuningriik ja Iirimaa: Seadmel on 13 A pistik. Kui peate asendama pistiku kaitse, kasutage ainult 13 A ASTA (BS 1362) kaitset.

Kasutamine

⚠ HOIATUS! Vigastuste, põletuste, elektrilöögi või tulekahju oht.



Külmaine torud sisaldavad väikeses koguses keskkonnasõbralikku, kuid kergesti süttivat külmaainet R600a. See ei kahjusta osoonikihti ega suurenda kasvuhooneefekti. Kui külmaine lekib, võib see vigastada silmi või süttida. Ärge vigastage torusid.

- kompressori pind võib tavapärase töö käigus kuumeneda. Ärge puudutage seda kätega.
- Seadme tehniliste andmete muutmine ei ole lubatud.
- Ärge asetage seadmesse elektriseadmeid (nt jäätisemasinaid), millel puudub tootja vastav heakskiit.
- Külmaaine ringi kahjustamisel veenduge, et ruumis ei ole lahtiseid leeke või teisi süttimisallikaid. Tuulutage ruumi.
- Ärge lubage kuumade esemete kokkupuudet seadme plastosadega.
- Ärge hoidke pudelisse villitud jooke sügavkülmikus, et vältida lõhkemist või muid kadusid.
- Ärge hoiustage seadmes tuleohtlikke gaase või vedelikke.
- Ärge hoidke seadme läheduses või selle peal tuleohtlikke tooteid või nendega niisutatud esemeid.
- Ärge puudutage kompressorit või jahutit. Need on tulised.
- Ärge eemaldage või puudutage sügavkülmikus olevaid esemeid märgade või niiskete kätega.
- Ärge neelake alla jääkottide sisu (mittetoksiline).
- Ärge sööge jääkuubikuid või mahlajäämist kohe pärast sügavkülmast väljavõtmist, kuna need võivad põhjustada külmapõletust.
- Sulatatud toitu ei tohi sügavkülmikusse tagasi panna.
- Järgige toiduainete pakenditel toodud juhiseid.

Sisemine valgustus

⚠ HOIATUS! Elektrilöögi risk.

- Seadme sees kasutatav pirn on mõeldud spetsiaalselt kodumasinate jaoks ja ei sobi kodu üldvalgustuseks ((EL) 2019/2020).

Hooldamine ja puhastamine

⚠ HOIATUS! Vigastuste ja seadme kahjustamise oht.

- Enne hooldust lülitage seade välja ja eemaldage toitejuhe pistikupesast.
- Seadme jahutusüksus sisaldab süsivesinikku. Üksuse hooldamine ja täitmine on lubatud ainult kvalifitseeritud isiku poolt.
- Kontrollige regulaarselt seadme äravoolu ja vajadusel puhastage seda. Kui äravool on ummistunud, koguneb seadme põhjale sulamisel tekkinud vett.

Teenindus

- Seadme remontimiseks võtke ühendust volitatud teeninduskeskusega, mis on loetletud selle juhendi lõpus.
- Kasutage vaid originaalvaruosi.

Kõrvaldamine

⚠ HOIATUS! Vigastuste või lämbumise oht.

- Lahutage seade vooluvõrgust.
- Lõigake toitejuhe läbi ja visake see ära.
- Eemaldage ukсед, et lapsed ja lemmikloomad ei saaks seadmesse lõksu jääda.
- Selle seadme külmaaine ringi ja isolatsioonimaterjalid on osooni-sõbralikud.
- Isolatsioonivaht sisaldab tuleohtlikku gaasi. Seadme õige kõrvaldamise kohta saate teavet enda kohalikul omavalitsuselt.
- Ärge kahjustage jahutusüksuse soojusvaheti lähedal asuvat osa.

Tootja ei vastuta inimeste või loomade vigastuste või varalise kahju eest, kui ülaltoodud nõuandeid ja ettevaatusabinõusid ei järgita.

Paigaldamine

⚠ HOIATUS! Enne seadme paigaldamist lugege hoolikalt käesolevas voldikus sisalduvat ohutusteavet.

Paigaldamise kontroll-loend

Uks

- Uks sulgeb kapi igast küljest korralikult
- Uks on loodis

Loodimine

- Külmik on loodis

Elektrienergia

- Oodake 4 tundi
- Kodune elektrivarustus on sees
- Külmik on ühendatud toitevõrku

Lõplikud kontrollid

- Pakkematerjal on eemaldatud
- Külmiku temperatuur on määratud

Paigutamine

- Järgige seadme paigaldamiseks sellega eraldi kaasasolevaid kokkupanemise juhtnööre.
- Seade tuleb paigaldada asukohta, kus ümbritseva õhu temperatuur vastab seadme andmeplaadil näidatud kliimaklassile. See tagab, et seade töötab korrektselt. Kliimaklasside selgitus on järgmine:

Kliimaklass	Ümbritseva õhu temperatuuri vahemik
SN	+10°C kuni +32°C
N	+16°C kuni +32°C
ST	+16°C kuni +38°C
T	+16°C kuni +43°C

- „SN“ näitab, et see külmutusseade on ettenähtud kasutamiseks ümbritseva õhu temperatuurivahemikus 10–32°C.

- „N“ näitab, et see külmutusseade on ettenähtud kasutamiseks ümbritseva õhu temperatuurivahemikus 16–32°C.

- „ST“ näitab, et see külmutusseade on ettenähtud kasutamiseks ümbritseva õhu temperatuurivahemikus 16–38°C.

- „T“ näitab, et see külmutusseade on ettenähtud kasutamiseks ümbritseva õhu temperatuurivahemikus 16–43°C.

- ⓘ Kui mõned seadme mudelid töötavad kindlaksmääratud temperatuuri vahemikust väljaspool, võib nende puhul tekkida toimimise probleeme. Seadme õige toimimine on tagatud ainult määratud temperatuurivahemikus. Kui teil on paigaldamise kohta küsimusi, siis pöörduge seadme müüja, meie klienditeeninduse või lähima volitatud teeninduskeskuse poole.

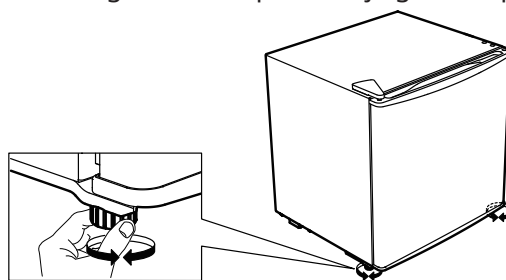
Asukoht

Parima toimivuse tagamiseks paigaldage seade eemale soojusallikatest, nagu näiteks radiaatorid, boilerid, otsene päikesevalgus. Veenduge, et õhk ringleb seadme taga vabalt.

Seadme loodimine

Kui seade jääb kaldu, siis reguleerige selle loodimiseks seadme esiküljel olevaid kahte jalga. Üksikasjalikud paigaldamise juhised leiate eraldi kokkupanemise juhtnööridest.

1. Ühendage toitepistik seinakontaktist lahti.
2. Seadme kergitamiseks pöörake jalga päripäeva. Seadme langetamiseks pöörake jalga vastupäeva.



Seadme puhastamine

Enne seadme esmakordset kasutamist puhastage seda, et eemaldada uuele tootele iseloomulik lõhn.

1. Veenduge, et seade on vooluvõrgust lahti ühendatud.
2. Pühkige sisemust pehme, niisutatud lapiga.
3. Peske sisetarvikuid leige vee ja neutraalse seebiga ning kuivatage seejärel põhjalikult.

ETTEVAATUST!

Keelatud on kasutada abrasiivseid, kloriidiga või happelisi puhastusvahendeid või -lahuseid.

- Ärge kasutage abrasiivseid või küürimiskäsnaid. Metallpinnad võivad korrodeeruda.
- Ärge kunagi puhastage tarvikuid nõudepesumasinas. Need võivad deformeeruda.

Elektriühendus

⚠ ETTEVAATUST! Seadme paigaldamiseks vajalikud elektritööd peab teostama vajaliku kvalifikatsiooniga elektrik või pädev isik.

⚠ HOIATUS! Seade peab olema maandatud. Nende juhiste mittejärgimine võib põhjustada surma, tulekahju või elektrilöögi.

Tootja ei vastuta ohutusmeetmete järgimata jätmise eest. See seade vastab EMÜ direktiividele.

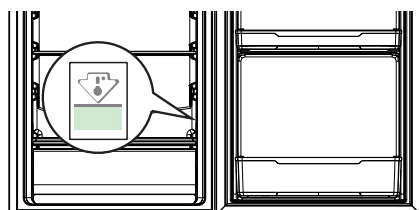
Esmakordne kasutamine

Ühendage seade vooluvõrguga. Ideaalsed toiduainete säilitustemperatuurid on juba tehases määratud (keskmised).

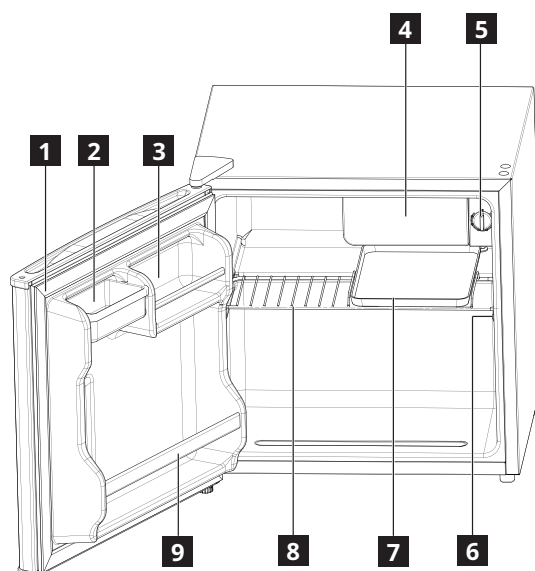
Märkus: Pärast sisselülitamist vajab seade 4–5 tundi, et saavutada tüüpilise toidukoguse säilitamiseks õige temperatuur.

Pange tähele!

Mõnes riigis kehtivate määruste kohaselt tuleb külmiku alumisse sahtlisse lisada eraldi seadis (vt joonist all), mis näitab ära kõige külmemat tsooni.



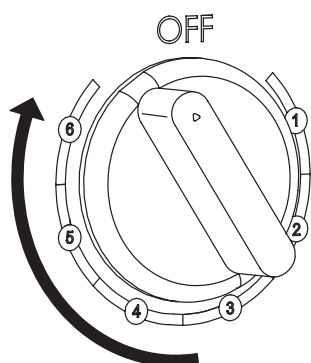
Toote kirjeldus



- 1** Uksetihend
- 2** Hoiukarp
- 3** Purgi hoidja
- 4** Jahutuskamber

- 5** Temperatuuri ketas
- 6** Andmeplaat
- 7** Sulatusalus
- 8** Riiul
- 9** Pudelihoidik

Kasutamine



Sisse lülitamine

Ühendage toitejuhe pistikupessa ja reguleerige temperatuuri. Seade lülitub sisse ja hakkab tööle.

Temperatuuri reguleerimine

Temperatuuri reguleeritakse automaatselt.

Temperatuuri reguleerimiseks toimige järgmiselt:

- Külma vähendamiseks keerake temperatuuri ketas madalamale seadistusele.
- Külma suurendamiseks keerake temperatuuri ketas kõrgemale seadistusele.

ⓘ reeglina on kõige sobivamaks sätteks keskmine.

Pidage temperatuuri reguleerimisel meeles, et seadme sisetemperatuur sõltub järgmisest:

- toatemperatuur,
- ukse avamise sagedus,
- hoiustatava toidu kogus,
- kodumasina asukoht.

Pange tähele! Kui ümbritseva õhu temperatuur on kõrge või seade on täis ja valitud on kõige madalam temperatuur, siis võib seade pidevalt töötada ja sedasi tekib tagumisele seinale härmatis. Sellisel juhul tuleb valida kõrgem temperatuur, mis võimaldab automaatset sulatamist ja tagab väiksema energiakulu.

Igapäevane kasutamine

Näpunäited värskete toiduainete jahutamiseks

- Katke või pakkige toidud, eriti kui neil on tugev maitse.
- Paigutage toiduained sedasi, et õhk ringleb nende ümber vabalt.
- Parimate tulemuste saavutamiseks jätke külmikusse piisavalt ruumi, et õhk saaks pakendite ümber ringelda. Peale selle tuleb jätta ka ette piisavalt ruumi, et ukse saaks korralikult sulgeda.
- Ärge hoiustage külmikus sooja toitu või auravaid vedelikke.
- Valmistoidud ja külmad road: katke ja asetage ükskõik millisele riulile.
- Puu- ja köögivilja: puhastage põhjalikult ja hoiustage juurviljasahtlis. Pakendamata banaane, kartuleid, sibulaid ja küüslauku ei tohi külmikus hoida.
- Või ja juust: paigutage eraldi õhukindlasse anumatesse või mähkige alumiiniumfooliumisse või polüetüleenist kottidesse, et vähendada kontakti õhuga.
- Pudolid: sulgege korkidega ja asetage ukseriulitele.

Energiasäästmise nõuanded

- Paigaldage seade kuiva, hästi ventileeritavasse ruumi, mis on eemal kõigist soojusallikatest (nt radiaator, pliit jne) ja kohta, mis ei puutu kokku otsese päikesega. Vajadusel kasutage isoleerplaati.

Puhastamine ja hooldus

Üldised nõuanded

- Puhastage seadet regulaarselt lapi ning sooja vee ja neutraalse pesuvahendi lahusega, mis on spetsiaalselt ette nähtud külmiku sisemuse puhastamiseks. Ärge kasutage abrasiivseid puhastusvahendeid ega tööriistu.
- Enne seadme hooldamist või puhastamist eemaldage see vooluvõrgust või katkestage ühendus toiteallikaga.

Nõuanded:

- Mida madalam on temperatuur, seda kauem saate oma toitu ohutult säilitada ja seda rohkem tarbib seade elektrit.
- Mida kõrgem on temperatuur, seda kiiremini teie säilitatud toit rikneb ja seda vähem tarbib seade elektrit.

Välja lülitamine

Seadme väljalülitamiseks keerake temperatuuri ketas asendisse „OFF“ ja seejärel eemaldage toitejuhe pistikupesast.

- Piisava ventilatsiooni tagamiseks järgige paigaldusjuhiseid.
- Ebapiisav ventilatsioon toote tagaküljel suurendab energiatarbimist ja vähendab jahutuse efektiivsust.
- Seadme sees olevat temperatuuri võivad mõjutada nii ümbritsev temperatuur, ukseavamise sagedus kui ka seadme asukoht. Temperatuuri seadistamisel tuleks neid tegureid arvesse võtta.
- Laske soojadel toitudel ja jookidel enne seadmesse panemist maha jahtuda.
- Ärge blokeerige ventilaatorit (kui see on olemas) toiduainetega.
- Pärast toidu sissepanemist või väljavõtmist sulgege uks korralikult, eriti oluline on sügavkülmiku ukse sulgemine.
- Vähendage ukseava miinimumini.
- Asetage külmutatud toiduained sulatamiseks külmkappi. Külmutatud toodete madal temperatuur jahutab külmikus olevaid toiduaineid.
- Külmikusse riulite panemine ei mõjuta tõhusat energiakasutust. Toiduained tuleks asetada riulitele nii, et oleks tagatud korralik õhuringlus (toidud ei tohi üksteist puudutada ning toidu ja tagaseina vahele peab jääma vahe).
- Kahjustatud tihendid tuleb esimesel võimalusel välja vahetada.

ETTEVAATUST! Külmiku tarvikuid ei tohi panna nõudepesumasinasse.

Seadme sulatamine

- Sulatage iga kord seadet, kui härmatise kiht aurusti pinnal muutub 3–4 mm paksuseks.
- Enne sulatamist eemaldage kõik toiduained ja lülitage seade välja. Sulamisvee kogumiseks paigutage aurusti alla sulatusalus.

- Pärast jää sulamist valage sulavesi ära, kuivatage seadme sisemus kuiva lapiga ja lülitage seade uuesti sisse.

Kui te seadet pikema aja jooksul ei kasuta

1. Lülitage seade välja.
2. Ühendage seade vooluvõrgust lahti.
3. eemaldage kõik toiduained,

4. Sulatage ja puhastage seade.
5. Jätke ukсед avatuks täpselt nii palju, et õhk saaks kambrites ringelda. See hoiab ära hallituse tekke ja ebameeldiva lõhna.

Elektrikatkestuse korral

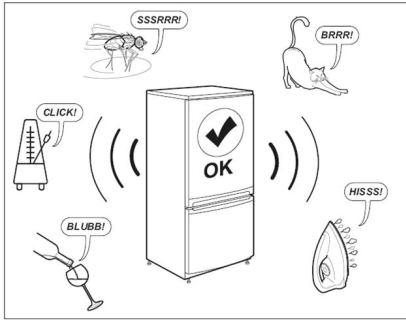
- Hoidke seadme ukсед suletuna. See võimaldab toidul võimalikult kaua külmas olla.

Tõrkeotsing

Probleem	Võimalik põhjus	Lahendus
Seade ei tööta.	Seade on lülitatud välja.	Lülitage seade sisse.
	Toitejuhe ei ole vooluvõrguga õigesti ühendatud.	Ühendage toitepistik seinakontaktiga õigesti.
	Seinakontaktis ei ole voolu.	Et teada saada, kas pistikupesa töötab, ühendage sellega mõni muu elektriseade. Pistikupesa parandamiseks võtke ühendust kvalifitseeritud elektrikuga.
Seade on mürrarikas.	Seade ei ole paigutatud stabiilselt.	Pange seade loodi. Vaadake jaotist „Seadme loodimine“ või eraldi kokkupanekujuhiseid.
Kompressor töötab vahetpidamata.	Määratud temperatuur on liiga madal.	Valige kõrgem temperatuur. Vaadake jaotist „Kasutamine“.
	Kappi pandi korraga palju toiduaineid.	Oodake paar tundi ja kontrollige temperatuuri uuesti.
	Toatemperatuur on liiga kõrge.	Võimaluse korral paigutage seade ümber. Vaadake jaotist „Paigutamine“.
	Seadmesse pandud toiduained olid liiga soojad.	Laske toiduainetel enne hoiustamist soojeneda toatemperatuurini.
	Uks ei ole õigesti suletud.	Vaadake jaotist „Ukse sulgemine“.
Seadme temperatuur on liiga madal/kõrge.	Temperatuur ei olnud õigesti seadistatud.	Valige kõrgem/madalam temperatuur.
	Uks ei ole õigesti suletud.	Vaadake jaotist „Ukse sulgemine“.
	Seadmesse pandud toiduained olid liiga soojad.	Laske toiduainetel enne hoiustamist soojeneda toatemperatuurini.
	Kappi pandi korraga palju toiduaineid.	Pange korraga kappi vähem toiduaineid.
	Jääkihi paksus on üle 4-5 mm.	Sulatage seade.
	Ust on avatud liiga sageli.	Avage ust ainult vajadusel.
	Seadmes ei ole piisavalt külma õhu ringlust.	Paigutage toiduained ümber nii, et õhk saaks seadmes vabalt ringelda.
Uks ei sulgu täielikult.	Vaadake jaotist „Ukse sulgemine“.	Vaadake jaotist „Ukse sulgemine“.

Tavalised helid

On täiesti normaalne, et külmutussüsteem tekitab mõningaid helisid, nagu kulisemine ja susisemine.



Ukse sulgemine

Kui	Teha
Uksetihendid on märdunud.	Puhastage neid.
Uksetihendid on vigastatud.	Nende asendamiseks võtke ühendust müügijärgse hooldusega.
Ust blokeerivad riulid, sahtlid, toiduained jne.	Paigutage need õigesti või eemaldage ust blokeerivad esemed.
Seade ei ole tasaselt.	Pange seade loodi. Vaadake jaotist „Seadme loodimine“ või eraldi kokkupanekujuhiseid.
Uks on seoses kapiga viltu.	Reguleerige ust. Vaadake eraldi kokkupanemise juhendit.

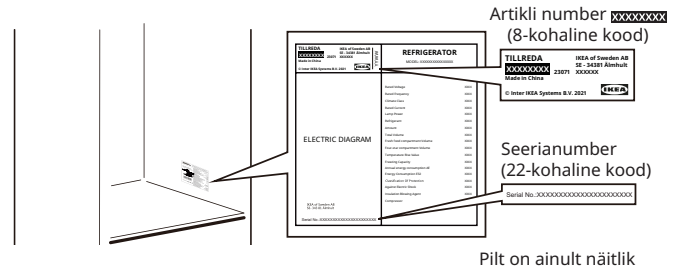
Enne müügijärgse hooldusega ühendust võtmist:

taaskäivitage seade, et näha, kas rike on kõrvaldatud. Kui see on alles, lülitage seade uuesti välja ja korrake sama tunni pärast uuesti.

Kui teie seade ei tööta ka pärast tõrkeotsingu juhendis loetletud kontrollide teostamist ja seadme uuesti sisselülitamist, võtke ühendust müügijärgse teenindusega, selgitage probleemi selgelt ja täpsustage:

- probleemi olemust
- ostukuupäev
- seadme mudel ja seerianumber

❶ Artikli number ja seerianumber on näha seadme parempoolsel siseküljel asuvalt andmeplaadilt.




Tehniline teave

Tootekategooria	
Tooteliik	Külmik
Paigaldusviis	Eraldiseisev
Toote mõõtmed	
Kõrgus	492 mm
Laius	472 mm
Sügavus	450 mm
Netomahutavus	
Külmik	43,0 l
Sulatamise süsteem	
Külmik	Manuaalne
Muud tehnilised andmed	
Tärnhinnang	Pole saadaval
Temperatuuri tõusu aeg	Pole saadaval
Energiakulu	80 kWh/aastas
Müratase	41 dB(A)
Energiaklass	E
Nimipinge	220 - 240 V~
Nominaalsagedus	50 Hz
Energiatõhususe klassi valgusallikas	Pole saadaval

Märkus: Toodete andmebaasis olevale toote teabele pääseb ligi EPREL-etiketil olevat QR-koodi skannides.

Keskkonnaküsimused

1. Pakkematerjalid


Taaskasutatavad materjalid on tähistatud sümboliga .

Viige pakkematerjal ringlusesse võtmiseks asjakohastesse kogumiskonteineritesse. Hoidke pakkematerjalid (kilekotid, polüstüreenist osad jne) lastele kättesaamatus kohas, kuna need on potentsiaalselt ohuallikaks.

2. Vanametalliks lammutamine/käitlemine

Seade on valmistatud taaskasutatavast materjalist. See seade on märgistatud vastavalt Euroopa elektri- ja elektroonikaseadmete jäätmete direktiivile 2002/96/EÜ. Kui tagate, et seade utiliseeritakse korrektselt, saate aidata vältida võimalikke negatiivseid tagajärgi keskkonnale ja inimeste tervisele.

Seadmel või kaasasolevatel dokumentidel

olev sümbol  näitab, et seda seadet ei tohi

käidelda olmejäätmetena, vaid see tuleb viia spetsiaalsesse elektri- ja elektroonikaseadmete kogumiskeskusesse. Seadme lammutamisel muutke see kasutuskõlbmatuks, lõigake ära toitekaabel ning eemaldage ukсед ja riulid, et lapsed ei saaks sinna kergesti sisse ronida ega kinni jääda.

Utiliseerige seade vastavalt kohalikele jäätmekäitluse eeskirjadele ja viige see spetsiaalsesse kogumispunkti; Ärge jätke seadet järelevalveta isegi mõneks päevaks, kuna see võib olla lastele ohtlik.

Selle toote töötlemise, taaskasutamise ja ringlussevõtu kohta täiendava teabe saamiseks võtke ühendust pädeva kohaliku asutuse, majapidamisjäätmete kogumisteenuse või kauplusega, kust seadme ostsite.

Vastavusdeklaratsioon

- See seade on mõeldud toiduainete säilitamiseks ja on toodetud kooskõlas määrusega (EÜ) nr 1935/2004.
- Seade on välja töötatud, toodetud ja turustatud kooskõlas:
 - madalpingedirektiivi 2014/35/EL (mis asendab direktiivi 2006/95/EÜ ja hilisemaid muudatusi) ohutuseesmärkidega;



- elektromagnetilise ühilduvuse 2014/30/EL kaitsenõuetega.
- Seade on välja töötatud, toodetud ja turustatud kooskõlas:
 - Elektromagnetilise ühilduvuse nõuded 2016
 - Elektriseadmete (ohutus) nõuded 2016



IKEA Garantii

Kui pikk on IKEA garantii kehtivusaeg?

Garantii kehtib **2 aastat** alates ostukuupäevast, kui riigi seadusandluses ei ole sätestatud teisiti. Norras, Portugalis ja Hispaanias kehtib garantii 3 aastat alates kliendile tarnimise kuupäevast, kui riigi seadusandluses ei ole sätestatud teisiti. Ostu peab tõestama ostudokumendi originaaliga. Kui garantiijärgselt on tehtud hooldustöid, siis need ei pikenda seadme garantiiaega.

Kes teeb hooldustöid?

IKEA teenusepakkuja osutab teenust läbi enda hoolduse või volitatud partnerite võrgustiku.

Millele garantii kehtib?

Garantii kehtib seadme nendele riketele, mis on põhjustatud konstruktsiooni- või materjaliveast, alates IKEA-st ostmise kuupäevast. See garantii kehtib vaid seadme kodusel kasutamisel. Erandid on loetletud punktis „Mis pole selle garantiiga kaetud?“. Garantii kehtivuse ajal korvatakse rikke kõrvaldamise kulud, näiteks remondikulud, osade maksumus, töö- ja sõidukulud, eeldusel, et seade on remondiks ligipääsetav ilma erikulutusteta. Nendele tingimustele kohaldatakse EL-i juhiseid (nr 99/44/EK) ja asjakohaseid kohalikke määrusi. Asendatud osad jäävad IKEA omandisse.

Mida IKEA teeb probleemi lahendamiseks?

IKEA on määranud teenusepakkuja, kes kontrollib toote üle ja otsustab oma äranägemisel, kas garantii hõlmab vea kõrvaldamist. Kui see hõlmab, siis IKEA teenusepakkuja või volitatud hoolduspartner otsustab oma äranägemisel, kas vigane toode tuleb remontida või asendada sama või sarnase tootega.

Mis pole selle garantiiga kaetud?

- Tavapärase kulumine.
- Vigastused, mis on tekitatud sihilikult või hooletusest, põhjustatud kasutusjuhendi juhiste eiramisest, ebaõigest paigaldusest või valest toitepingest, keemilisest või elektrikeemilisest reaktsioonist, roostest, söövitusest või veekahjustusest, kaasa arvatud, kuid mitte ainult veetoitesüsteemi liigsest lubjasaldusest või ebaharilikest keskkonnatingimustest.
- Kulutarvikud, kaasa arvatud patareid ja lambid.
- Mittetoimivad osad ja ehisosad, mis seadme tavapärasest tööd ei mõjuta, kaasa arvatud kriimustused ja võimalikud värvimuutused.
- Kõrvaliste esemete või ainete ja filtrite, äravoolusüsteemide või pesuainesahtli puhastamisest või ummistumisest põhjustatud vigastused.
- Järgmiste osade vigastused: keraamilised klaasid, tarvikud, lauanõude ja söögiriistade korvid, vee etteande- ja äravoolutorud, tihendid, lambid ja lambikatted, kaitseekraanid, nupud, korpused ja korpuste osad. Välja arvatud juhtumid, mille puhul on tõendatud tootmisveast tingitud rike.
- Juhtumid, kus tehniku visiidi käigus viga ei leitud.
- Teiste, mitte meie määratud teenindajate ja/või volitatud teenuslepinguga partnerettevõtte tehtud remonditööd või kui on kasutatud muid kui originaalvaruosi.
- Remonditööd, mis on tingitud puudulikust või nõuetele mittevastavast paigaldusest.
- Kodumasina kasutamine väljaspool kodust keskkonda, nt kutsealaseks kasutamiseks.

- Transpordivigastused. IKEA ei võta vastutust vigastuste eest, mis võivad tekkida sel ajal, kui klient transpordib seadme koju või mõnda teise asukohta. Kui IKEA tarnib toote kliendi antud tarnekohta, siis selle tarne ajal tootele tekkinud vigastuse korvab IKEA.
- IKEA seadme esmapaigaldusega seotud kulud. Kui IKEA nimetatud teenusepakkuja või tema volitatud teenustöö partnerettevõtte remondib või asendab seadme selle garantiiga kehtestatud tingimustel, siis nimetatud teenusepakkuja või tema volitatud teenustöö partnerettevõtte taaspaidaldab vajadusel remonditud seadme või paigaldab asendusseadme.

Need piirangud ei kehti vigadest vabadele töödele, mille viib läbi vajaliku kvalifikatsiooniga spetsialist, kes kasutab originaalosasid eesmärgiga kohandada seade teises EL-i riigis kehtivatele tehnilistele ohutusnõuetele.

Siseriiklike seaduste kohaldamine

IKEA garantii annab ostjale seaduslikud erioigused, mis katavad või ületavad kõiki siseriiklike seaduslike nõudeid. Need tingimused ei piira mingil viisil kliendi õigusi, mis on sätestatud siseriiklike õigusnormidega.

Garantii kehtivuspiirkond

Seadmetele, mis on ostetud ühest EL-riigist ja mis viiakse teise EL-riiki, tagatakse hooldusteenused uuel asukohamaal tavapäraselt kehtivate garantii raamtingimuste kohaselt.

Garantii raamtingimuste kohane hooldusteenuste kohustus on vaid siis, kui seade vastab riigis kehtivatele nõuetele ja on paigaldatud kooskõlas:

- selle riigi tehniliste tingimustega, kus garantiinõue esitati,
- paigaldusjuhiste ja kasutusjuhendi ohutuseeskirjadega.

IKEA kodumasinade MÜÜGIJÄRGNE hooldus

Võtke IKEA määratud müügijärgse hooldusega julgelt ühendust, kui:

- soovite esitada selle garantiiga tagatud hooldusnõude,
- soovite küsida selgitusi IKEA kodumasinaga paigaldamise kohta IKEA köögimööblisse.
- soovite lasta selgitada IKEA seadmete funktsioone.

Parima abi saamiseks lugege enne meie poole pöördumist hoolikalt läbi paigaldusjuhised ja/või kasutusjuhend.

Kuidas meie poole pöörduda, kui vajate meie abi



IKEA määratud müügijärgse teeninduse pakkujate telefoninumbreid leiate selle kasutusjuhendi lõpust.

- **Kiirema teeninduse pakumiseks soovime kasutada selles kasutusjuhendis loetletud konkreetseid telefoninumbreid. Kasutage toe vajamisel alati konkreetse seadme kasutusjuhendis toodud numbreid. Ärge unustage sisestada oma seadme andmeplaadil näidatud 8-kohaline artiklinumber ja 22-kohaline seerianumber.**

- **HOIDKE OSTUKVIITUNG ALLES!** See tõendab teie ostu ja seda nõutakse garantiinõude korral. Lisaks on ostukviitungil IKEA kaupluse nimi ja iga teie ostetud seadme tootenumber (8-kohaline kood).

Kas vajate täiendavat abi?

Nende lisaküsimustega, mis ei ole seotud teie seadme järelhooldusega, pöörduge lähima IKEA kaupluse klienditeenindusosakonda. Enne ühenduse võtmist soovime teil seadme juhendid hoolikalt läbi lugeda.

Varuosade teave

- Järgmised varuosad: termostaadid, temperatuuriandurid, trükkplaadid ja valgusallikad on professionaalsetele remonditöökodadele kättesaadavad vähemalt seitsmeks aastaks pärast mudeli viimase üksuse müüki minekut.
- Järgmised varuosad: uksehinged, alused ja korvid on professionaalsetele remonditöökodadele ja lõppkasutajatele saadaval vähemalt seitse aastat ning uksetihendid vähemalt 10 aastat pärast mudeli viimase üksuse müüki minekut.

Varuosad on leitavad aadressilt: www.ikea.com

Sadržaj

Sigurnosne informacije.....	238	Svakodnevna uporaba.....	243
Sigurnosne upute	239	Čišćenje i održavanje	243
Montaža	241	Otklanjanje poteškoća.....	244
Prva uporaba	242	Tehnički podaci.....	246
Opis proizvoda	242	Briga o okolišu	246
Rukovanje	242	IKEA Jamstvo	247

Sigurnosne informacije

Prije instalacije i uporabe uređaja, pažljivo pročitajte priložene upute. Proizvođač nije odgovoran, ako nepravilna instalacija ili uporaba prouzrokuju ozljede i štetu. Upute držite uvijek zajedno s uređajem za buduću uporabu.

Sigurnost djece i nemoćnih osoba



UPOZORENJE: Opasnost od požara/zapaljivi materijali

- Djeca iznad 8 godina starosti te osobe smanjenih tjelesnih, osjetilnih ili umnih sposobnosti, odnosno nedovoljnog iskustva i znanja mogu korsiniti ovaj uređaj samo ako ih se nadzire ili ako su upućene u sigurnu uporabu uređaja i razumiju uključene opasnosti. Djeca se ne smiju igrati uređajem. Čišćenje i održavanje koje obavlja korisnik ne smiju vršiti djeca, osim ako su pod nadzorom. Djecu je potrebno nadgledati kako se ne bi igrala uređajem.
- Ovaj uređaj mogu koristiti djeca između 3 i 8 godina i osobe s poteškoćama, ako su dobili propisne upute za to.
- Djecu mlađu od 3 godine treba držati podalje, osim ako su pod stalnim nadzorom.
- Djeca se ne smiju igrati s uređajem.
- Djeca ne smiju obavljati čišćenje i održavanje uređaja bez nadzora.
- Djeci u dobi od 3 do 8 godina dozvoljeno je puniti i prazniti rashladne uređaje.
- Svu ambalažu čuvajte podalje od djece i odložite je na odgovarajući način.

Opća sigurnost

- Uređaj je namijenjen uporabi u kućanstvu ili sličnoj primjeni kao što su:
 - čajnoj kuhinji za zaposlenike u dućanima, uredima i drugim radnim okruženjima;
 - seoske kuće i klijenti u hotelima, motelima i drugim stambenim sredinama;
 - ugostiteljski objekti poput pansiona;
 - ugostiteljstvo i slične primjene van maloprodaje.
- **UPOZORENJE:** Uklonite zapreke s ventilacijskih otvora na kućištu uređaja ili na ugradbenom ormariću.
- **UPOZORENJE:** Nemojte rabiti mehaničke uređaje ili neka druga sredstva kako biste ubrzali proces odmrzavanja hladnjaka, osim onih koje preporuča proizvođač.
- **UPOZORENJE:** Nemojte oštetiti sustav rashladnog sredstva.
- **UPOZORENJE:** Nemojte rabiti električne uređaje unutar spremnika za hranu ovog uređaja, osim onih koje preporuča proizvođač.
- **UPOZORENJE:** Za čišćenje uređaja nemojte rabiti prskanje vodom ili vodenu paru.
- **UPOZORENJE:** Uređaj čistite vlažnom mekom krpom. Rabite samo prirodna sredstva za čišćenje. Nemojte rabiti abrazivna sredstva za čišćenje, abrazivne spužvice, otapala ili metalne predmete.

- **UPOZORENJE:** Eksplozivna sredstva kao što su aerosolne limenke sa zapaljivim gorivom nemojte držati u uređaju.
- **UPOZORENJE:** Zamjenu oštećenog naponskog kabela električnog napajanja mora obaviti proizvođač, njegov ovlaštenu servisni centar ili druga kvalificirana osoba kako bi se izbjegla opasnost.
- **UPOZORENJE:** Pri postavljanju uređaja provjerite da mrežni kabel nije zgnječen ili oštećen.
- **UPOZORENJE:** Ne postavljajte više prijenosnih utičnica ili prijenosnih izvora napajanja na stražnjoj strani uređaja.
- Otvaranje vrata na duža vremenska razdoblja može uzrokovati značajno povećanje temperature u odjeljcima uređaja.
- Redovito čistite površine koje mogu doći u dodir s hranom i dostupnim sustavima odvodnje.
- Očistite spremnike za čistu vodu ako se nisu koristili 48 sati; isperite vodovodni sustav priključen na vodovod ako voda nije bila povučena 5 dana.
- Skladištite sirovo meso i ribu u odgovarajuće posude u hladnjaku kako ne bi bili u kontaktu s drugom hranom ili kapali na drugu hranu.
- Ako rashladni uređaj dulje vrijeme ostaje prazan, isključite ga, odmrznite, očistite, osušite i ostavite vrata otvorena kako biste spriječili stvaranje plijesni u uređaju.
- Ovaj rashladni uređaj nije prikladan za zamrzavanje namirnica.
- Ovaj rashladni uređaj nije predviđen da se koristi kao ugrađeni uređaj.
- Prostori za zamrznutu hranu s dvije zvjezdice pogodni su za spremanje prethodno smrznute hrane, spremanje ili pravljenje sladoleda i pravljenje kockica leda.
- Odjeljci s jednom, dvije i tri zvjezdice nisu pogodni za zamrzavanje svježe hrane.
- **UPOZORENJE:** Kako biste izbjegli opasnost zbog nestabilnosti uređaja mora se fiksirati u skladu s uputama.

Sigurnosne upute

Montaža

- **UPOZORENJE!** Uređaj može instalirati samo kvalificirana osoba.
- Uklonite svu ambalažu.
- Nemojte instalirati ili rabiti oštećeni uređaj.
- Slijedite upute za instalaciju isporučene s uređajem.
- Uvijek pazite pri pomicanju uređaja jer je težak. Uvijek koristite sigurnosne rukavice i zatvorenu obuću.
- Pazite da ne oštetite pod (npr. parket) kada premještate uređaj.
- Uvjerite se da uređaj nije u blizini izvora topline.
- Instalirajte i izravnajte uređaj na pod dovoljno jak da izdrži njegovu težinu i na mjesto koje odgovara njegovoj veličini i upotrebi.
- Osigurajte nesmetani protok zraka oko uređaja.
- Pri prvom postavljanju ili nakon okretanja vrata, pričekajte najmanje 4 sata prije nego što uređaj priključite na napajanje. Ovo je nužno kako bi se ulje vratilo u kompresor.
- Prije obavljanja bilo kakvih radnji na uređaju (npr. okretanja vrata), izvucite utikač iz utičnice.

- Stražnja strana uređaja mora biti postavljena uz zid.
- Ne postavljajte uređaj na mjesto izravne sunčeve svjetlosti.
- Ne postavljajte uređaj na mjestima koja su previše vlažna ili hladna, kao što su vinski podrumi.

Električno priključenje

- **UPOZORENJE!** Rizik od požara i električnog udara.
- **UPOZORENJE!** Pri postavljanju uređaja provjerite da mrežni kabel nije zgnječen ili oštećen.
- **UPOZORENJE!** Ne koristite adaptere s više utikača ili produžne kabele.
- Uređaj mora biti uzemljen.
- Provjerite jesu li parametri na nazivnoj pločici kompatibilni s električnim ocjenama mrežnog napajanja.
- Uvijek rabite ispravno instaliranu utičnicu osiguranu od strujnih udara.

- Pripazite da ne oštetite električne dijelove (npr. utikač električnog napajanja, kabel napajanja, kompresor). Za promjenu električnih komponenti obratite se ovlaštenom servisnom centru ili električaru.
- Električni kabel mora ostati ispod razine utikača napajanja.
- Uređaj priključite na električno napajanje tek po završetku instalacije. Omogućite nesmetan pristup električnoj utičnici nakon instalacije.
- Nemojte povlačiti kabel napajanja kako biste iskopčali uređaj. Uvijek povlačite utikač napajanja.
- Samo za UK i Irsku:
Uređaj je opremljen mrežnim utikačem od 13 A. Ako je potrebno promijeniti osigurač mrežnog utikača, koristite samo 13 A ASTA (BS 1362) osigurač.

Uporaba

⚠ UPOZORENJE! Rizik od ozljeda, opekline, električnog udara ili požara.



Cijevi rashladnog kruga sadrže malu količinu ekološki prihvatljivog, ali zapaljivog rashladnog sredstva R600a. Ne oštećuje ozonski omotač i ne povećava učinak staklenika. Ako rashladno sredstvo iscuri, može vam ozlijediti oči ili se zapaliti. Nemojte oštetiti cijevi.

- Površina kompresora može postati vruća tijekom normalnog rada. Ne dodirujte ga rukama.
- Nemojte mijenjati specifikacije uređaja.
- Nemojte stavljati električne uređaje (npr. aparate za izradu sladoleda) u ovaj uređaj osim ako to preporuča proizvođač.
- U slučaju oštećenje sustava rashladnog sredstva, pobrinite se da u prostoriji nema plamena niti izvora iskrenja. Prozračite prostoriju.
- Ne dozvolite da plastični dijelovi uređaja dođu u dodir s vrućim predmetima.
- Nemojte skladištiti flaširana pića u odjeljku zamrzivača kako biste spriječili pucanje ili druge gubitke.
- Zapaljive plinove i tekućine nemojte stavljati u uređaj.
- Zapaljive proizvode ili predmete koji su navlaženi zapaljivim proizvodima nemojte stavljati u uređaj, na njega niti u blizini uređaja.
- Ne dodirujte kompresor niti kondenzator. Oni su vrući.
- Ne uklanjajte i ne dirajte predmete iz odjeljka smrznute hrane ako su vam ruke mokre ili vlažne.
- Ne gutajte sadržaj (neotrovan) vrećica s ledom.
- Nemojte jesti kockice leda ili ledene lizalice odmah nakon što ih izvadite iz zamrzivača jer mogu uzrokovati opekline.
- Odmrznutu hranu ne treba stavljati u odjeljak sa smrznutom hranom.

- Slijedite upute za skladištenje na ambalaži smrznute hrane.

Unutarnja rasvjeta

⚠ UPOZORENJE! Rizik od električnog udara.

- Žarulja koja se koristi unutar uređaja posebno je dizajnirana za kućanske uređaje i nije prikladna za opću rasvjetu prostorija u domu ((EU) 2019/2020).

Održavanje i čišćenje

⚠ UPOZORENJE! Rizik od ozljeda ili oštećivanja uređaja.

- Prije održavanja, deaktivirajte uređaj i iskopčajte utikač električnog napajanja iz električne utičnice.
- Uređaj sadrži ugljikovodike u rashladnoj jedinici. Održavanje i ponovno punjenje uređaja može obavljati samo kvalificirana osoba.
- Redovito kontrolirajte odvod uređaja i po potrebi ga očistite. Ukoliko je odvod začepljen, odleđena voda sakuplja se na dnu uređaja.

Servis

- Za popravak uređaja obratite se ovlaštenom servisnom centru navedenom na kraju ovog priručnika.
- Koristite samo originalne rezervne dijelove.

Odlaganje

⚠ UPOZORENJE! Rizik od ozljeda ili gušenja.

- Iskopčajte uređaj iz električne mreže.
- Odrežite naponski kabel i odložite ga u otpad.
- Uklonite vrata kako biste spriječili da djeca ili kućni ljubimci budu zatvoreni unutar uređaja.
- Krug rashladnog sredstva i izolacijski materijali ovog uređaja ne sadrže ozon.
- Izolacijska pjena sadrži zapaljivi plin. Kontaktirajte nadležnu lokalnu upravu za informacije o ispravnim načinima odlaganja uređaja.
- Nemojte oštećivati dio rashladne jedinice koji se nalazi u blizini izmjenjivača topline.

Proizvođač odbacuje bilo kakvu odgovornost za ozljede osoba ili životinja ili štetu na imovini, ako se gore navedeni savjeti i mjere opreza ne poštuju.

Montaža

⚠ UPOZORENJE! Prije postavljanja uređaja pažljivo pročitajte sigurnosne informacije o sigurnosti koje možete pronaći u ovoj knjižici.

Kontrolni popis za postavljanje

Vrata

- Vrata potpuno prijanjaju na ormar sa svih strana
- Vrata su u ravnini

Izravnavanje

- Hladnjak je u ravnini

Električna snaga

- Pričekati 4 sata
- Izvor napajanja uključen
- Hladnjak priključen

Konačne provjere

- Ambalažni materijal uklonjen
- Postavljanje temperature hladnjaka

Pozicioniranje

- Slijedite zasebne upute za montažu kako biste instalirali ovaj uređaj.
- Postavite ovaj uređaj na mjesto gdje temperatura okoline odgovara klimatskoj klasi navedenoj na pločici uređaja. To jamči pravilan rad uređaja. Objašnjenje klimatskih razreda je sljedeće:

Klimatski razred	Raspon sobne temperature
SN	+10°C do +32°C
N	+16°C do +32°C
ST	+16°C do +38°C
T	+16°C do +43°C

- „SN“ označava da je ovaj rashladni uređaj namijenjen upotrebi na sobnoj temperaturi u rasponu od 10°C do 32°C.

- „N“ označava da je ovaj rashladni uređaj namijenjen upotrebi na sobnoj temperaturi u rasponu od 16°C do 32°C.

- „ST“ označava da je ovaj rashladni uređaj namijenjen upotrebi na sobnoj temperaturi u rasponu od 16°C do 38°C.

- „T“ označava da je ovaj rashladni uređaj namijenjen upotrebi na sobnoj temperaturi u rasponu od 16°C do 43°C.

- ⓘ** Za neke modele uređaja mogu se pojaviti neki funkcionalni problemi u slučaju rada izvan navedenih temperaturnih raspona. Ispravan je rad zajamčen samo unutar naznačenog temperaturnog raspona. Ako imate bilo kakvih nedoumica oko instalacije, obratite se prodavaču, našoj službi za korisnike ili najbližem ovlaštenom servisnom centru.

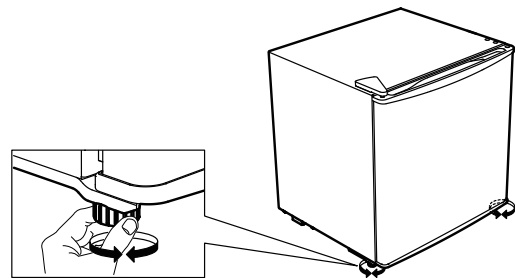
Smještaj

Za najveću učinkovitost, postavite uređaj daleko od izvora topline kao što su radijatori, bojleri i izravne sunčeve svjetlosti. Pobrinite se za nesmetanu cirkulaciju zraka oko stražnje strane ormarića.

Poravnavanje uređaja

Ako se uređaj na neki način naginje, podesite dvije nožice na prednjoj strani uređaja kako biste izravnali uređaj. Pojediniosti o instalaciji potražite u odvojenim uputama za montažu.

1. Izvucite mrežni utikač iz napajanja.
2. Zakrenite nogu u smjeru kazaljke na satu kako biste podigli uređaj. Okrenite nožicu u smjeru suprotnom od kazaljke na satu kako biste spustili uređaj.



Čišćenje uređaja

Prije prve uporabe aparata, očistite ga kako biste uklonili tipičan miris potpuno novog proizvoda.

1. Iskopčajte uređaj iz električne mreže.
2. Obrišite unutrašnjost mekom, navlaženom krpom.
3. Operite unutarne dodatke mlakom vodom i malo neutralnog sapuna, zatim temeljito osušite.

OPREZ!

Ne koristite abrazivne proizvode, abrazivne jastučice za čišćenje ili otapala.

- Nemojte koristiti oštre ili abrazivne materijale. Metalne površine mogu korodirati.
- Dodatke nemojte prati u perilici posuđa. Mogu se deformirati.

Električno priključenje

⚠ OPREZ! Sve električne radove potrebne za ugradnju ovog uređaja trebao bi izvesti kvalificirani električar ili stručna osoba.

⚠ UPOZORENJE! Ovaj uređaj mora biti uzemljen. Nepridržavanje ovih uputa može rezultirati smrtnim slučajem, požarom ili električnim udarom.

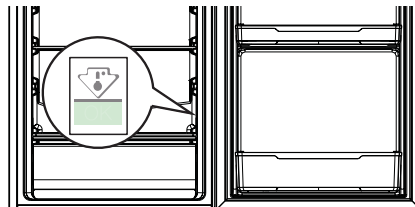
Proizvođač odbija bilo kakvu odgovornost u slučaju nepoštivanja ovih sigurnosnih mjera. Ovaj uređaj je u skladu s direktivama EEZ.

Prva uporaba

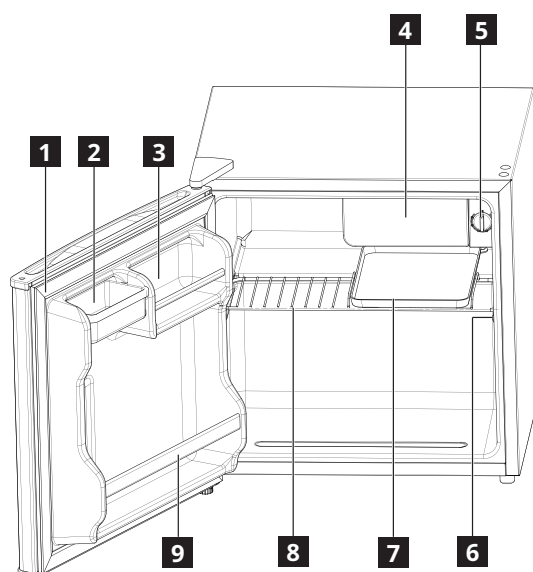
Spojite uređaj na napajanje. Idealne temperature za čuvanje hrane već su tvornički postavljene (srednje).
Napomena: Nakon uključivanja, uređaju je potrebno 4-5 sati kako bi postigao odgovarajuću temperaturu za pohranu tipične količine hrane.

Važno!

U skladu s propisima u nekim zemljama, mora postojati poseban uređaj (vidi donju sliku) smješten u donjem odjeljku hladnjaka kako bi označio najhladniju zonu uređaja.



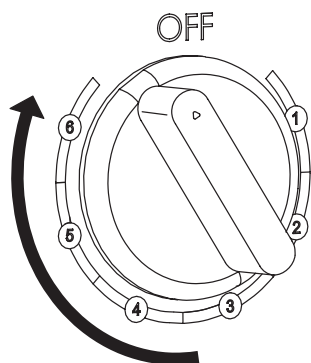
Opis proizvoda



- 1** Brtva vrata
- 2** Kutija za pohranu
- 3** Držać limenki
- 4** Odjeljak za brzo hlađenje

- 5** Regulator temperature
- 6** Nazivna pločica
- 7** Pladanj za odmrzavanje
- 8** Polica
- 9** Držać za boce

Rukovanje



Uključivanje

Uključite utikač u strujnu utičnicu i namjestite temperaturu. Aparat se uključuje i počinje s radom.

Podešavanje temperature

Temperatura se regulira automatski.

Kako biste podesili temperaturu:

- Okrenite regulator temperature prema nižoj postavci kako biste smanjili hladnoću.
- Okrenite regulator temperature prema višoj postavci kako biste povećali hladnoću.

i Srednja postavka je obično najprikladnija.

Podesite postavku temperature imajući u vidu da temperatura unutar uređaja ovisi o:

- sobnoj temperaturi
- učestalosti otvaranja vrata
- količini pohranjene hrane
- lokaciji uređaja

Važno! Ako je sobna temperatura visoka ili je uređaj ispunjen velikom količinom hrane, a temperatura je postavljena na najnižu postavku, uređaj će možda neprekidno raditi što će prouzročiti stvaranje leda na stražnjoj stijenci. U tom se slučaju mora postaviti viša temperatura koja će omogućiti automatsko odmrzavanje i samim tim smanjenu potrošnju energije.

Svakodnevna uporaba

Naputci za čuvanje svježih hrane

- Hranu poklopite ili zamotajte, posebno ako ima jak okus.
- Namjestite hranu tako da zrak može slobodno cirkulirati oko nje.
- Za najbolje performanse ostavite dovoljno prostora u odjeljku hladnjaka da zrak kruži oko pakiranja. Također, ostavite dovoljno mjesta u prednjem dijelu kako bi se vrata mogla čvrsto zatvoriti.
- Nemojte u hladnjak stavljati toplu hranu ili tekućine koje isparavaju.
- Kuhana hrana i hladna jela: pokriti i staviti na bilo koju policu.
- Voće i povrće: temeljito očistiti i staviti u ladicu za povrće. Banane, krumpir, luk i češnjak ne smiju se čuvati u hladnjaku ako se ne zapakiraju.
- Maslac i sir: staviti u posebnu nepropusnu posudu ili zamotati u aluminijsku foliju ili polietilensku vrećicu kako biste istisnuli što više zraka.
- Boce: zatvoriti čepovima i staviti u pregrade u vratima.

Savjeti za uštedu energije

- Postavite uređaj u suhu, dobro prozračenu prostoriju, daleko od izvora topline (npr. radijatora, štednjaka itd.) i na mjesto koje nije izravno izloženo suncu. Ako je potrebno, upotrijebite izolacijsku ploču.

Čišćenje i održavanje

Opći savjeti

- Redovito čistite uređaj krpom i otopinom tople vode i neutralnog deterdženta posebno formuliranog za unutrašnjost hladnjaka. Nemojte koristiti abrazivna sredstva za čišćenje ili alate.
- Prije servisiranja ili čišćenja aparata, isključite ga iz električne mreže ili isključite napajanje.

Savjeti:

- Što je niža postavljena temperatura, duže možete sigurno čuvati svoju hranu i uređaj troši više električne energije.
- Što je viša postavljena temperatura, to se vaša pohranjena hrana brže kvari i uređaj troši manje električne energije.

Isključivanje

Tkako biste isključili uređaj, okrenite gumb regulatora temperature u položaj "OFF" i zatim isključite utikač iz utičnice.

- Kako biste zajamčili odgovarajuću ventilaciju, slijedite upute za postavljanje.
- Nedovoljna ventilacija na stražnjoj strani proizvoda povećava potrošnju energije i smanjuje učinkovitost hlađenja.
- Na unutarnje temperature uređaja mogu utjecati temperatura okoline, učestalost otvaranja vrata, kao i mjesto na kojem se uređaj nalazi. Kod postavljanja temperature treba uzeti u obzir ove čimbenike.
- Pustite toplu hranu i piće da se ohlade prije stavljanja u uređaj.
- Ne zaklanjajte ventilator (ako postoji) hranom.
- Nakon stavljanja ili uklanjanja hrane, dobro zatvorite vrata, posebno vrata zamrzivača.
- Smanjite otvaranje vrata na minimum.
- Kada odmrzavate smrznutu hranu, stavite je u hladnjak. Niska temperatura zamrznutih proizvoda hladi hranu u hladnjaku.
- Pozicioniranje polica u hladnjaku ne utječe na učinkovito korištenje energije. Hranu treba postaviti na police tako da se osigura pravilna cirkulacija zraka (hrana se ne smije međusobno dodirivati i treba održavati razmak između hrane i stražnje stijenske).
- Oštećene brtve moraju se zamijeniti što je prije moguće.

OPREZ! Dodaci za hladnjak ne smiju se stavljati u perilicu posuđa.

Odmrzavanje uređaja

- Odmrznite uređaj kad god slojinja na površini isparivača postane debeo 3 do 4 mm.

- Prije odmrzavanja uklonite svu hranu i isključite uređaj. Stavite posudu za odmrzavanje ispod isparivača kako biste skupili otoplenu vodu.
- Nakon što se sav mraz otopi, otoplenu vodu izlijte, osušite unutrašnjost uređaja suhom krpom i ponovno uključite uređaj.
- 3. Uklonite svu hranu.
- 4. Odmrznite i očistite uređaj.
- 5. Ostavite vrata otvorena tek toliko da zrak cirkulira unutar odjeljaka. Time ćete spriječiti stvaranje plijesni i neugodnih mirisa.

U slučaju nestanka struje

- Držite vrata uređaja zatvorenima. To će omogućiti da hrana ostane hladna što je duže moguće.

Ako ne koristite uređaj dulje vrijeme

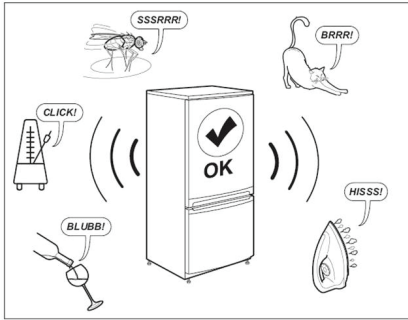
1. Isključite uređaj.
2. Iskopčajte uređaj iz električne mreže.

Otklanjanje poteškoća

Problem	Mogući uzrok	Rješenje
Uređaj ne radi.	Uređaj je isključen.	Uključite uređaj.
	Električni utikač nije ispravno ukopčan u utičnicu.	Ispravno uključite električni utikač u utičnicu.
	Nema napona u električnoj utičnici.	Kako biste saznali radi li utičnica, spojite drugi električni uređaj na nju. Za popravak utičnice obratite se kvalificiranom električaru.
Uređaj je bučan.	Uređaj nije stabilno postavljen.	Poravnajte uređaj. Pogledajte „Poravnavanje uređaja“ na stranici , ili zasebne Upute za stavljanje.
Kompresor radi neprekidno.	Sobna temperatura je preniska.	Postavite višu temperaturu. Pogledajte poglavlje „Rukovanje“.
	U isto vrijeme ubačen je velik broj prehrambenih proizvoda.	Pričekajte nekoliko sati te zatim ponovo provjerite temperaturu.
	Sobna temperatura je previsoka.	Premjestite uređaj ako je moguće. Pogledajte „Pozicioniranje“.
	Namirnice pohranjene u hladnjak bile su previše tople.	Dozvolite namirnicama da se ohlade na sobnu temperaturu prije pohranjivanja.
	Vrata nisu ispravno zatvorena.	Pogledajte „Zatvaranje vrata“.
Temperatura u uređaju je preniska/previsoka.	Temperatura nije pravilno postavljena.	Podesite višu/nižu temperaturu.
	Vrata nisu ispravno zatvorena.	Pogledajte „Zatvaranje vrata“.
	Namirnice pohranjene u hladnjak bile su previše tople.	Dozvolite namirnicama da se ohlade na sobnu temperaturu prije pohranjivanja.
	U isto vrijeme ubačen je velik broj prehrambenih proizvoda.	U isto vrijeme umetnite manje prehrambenih proizvoda.
	Debljina mraza je iznad 4-5 mm.	Odledite uređaj.
	Vrata su se otvarala prečesto.	Otvorite vrata samo kad je to potrebno.
	U uređaju nema dovoljno cirkulacije hladnog zraka.	Postavite hranu tako da zrak može slobodno cirkulirati oko nje.
Vrata se ne zatvaraju u potpunosti.	Pogledajte „Zatvaranje vrata“.	Pogledajte „Zatvaranje vrata“.

Uobičajeni zvukovi

Normalno je da rashladni sustav proizvodi neke zvukove, poput grgljanja i zujanja.



Zatvaranje vrata

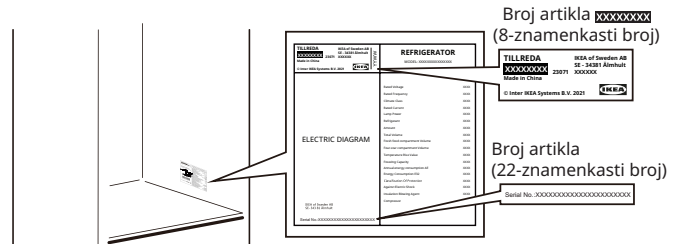
Ako	Napravite sljedeće
Brtve vrata su prljave.	Očistite ih.
Brtve vrata su oštećene.	Obratite se Postprodajnoj službi kako biste ih zamijenili.
Vrata su blokirana policama, ladicama, namirnicama itd.	Pravilno postavite ili uklonite predmete koji blokiraju vrata.
Uređaj nije u ravnini.	Poravnajte uređaj. Pogledajte „Poravnavanje uređaja“ na stranici , ili zasebne Upute za stavljanje.
Vrata nisu u ravnini s ormarićem.	Podesite vrata. Pogledajte zasebne Upute za sastavljanje.

Prije nego kontaktirate postprodajni servis:

Ponovno pokrenite uređaj kako biste vidjeli je li kvar otklonjen. Ako se nastavi, ponovno isključite uređaj i ponovite postupak nakon sat vremena. Ako vaš uređaj i dalje ne radi ispravno nakon provođenja provjera navedenih u uputama za rješavanje problema i ponovnog uključivanja uređaja, obratite se postprodajnoj službi, jasno objasnivši problem i navodeći:

- prirodu problema
- datum kupnje
- model i serijski broj uređaja

❶ Broj artikla i serijski broj nalaze se na nazivnoj pločici na lijevoj unutarnjoj strani uređaja.



Slika služi samo u ilustrativne svrhe


Tehnički podaci

Kategorija proizvoda	
Vrsta proizvoda	Hladnjak
Tip uređaja	Samostojeći
Dimenzije proizvoda	
Visina	492 mm
Širina	472 mm
Dubina	450 mm
Neto zapremina	
Hladnjak	43,0 l
Sustav za odleđivanje	
Hladnjak	Ručno
Ostale specifikacije	
Broj zvjezdica	-
Vrijeme porasta temperature	-
Potrošnja energije	80 kWh/god
Razina buke	41 dB (A)
Energetski razred	E
Nazivni napon	220 - 240 V~
Nazivna frekvencija	50 Hz
Izvor svjetlosti klase energetske učinkovitosti	-

Napomena: Podacima o proizvodu u bazi proizvoda možete pristupiti skeniranjem QR koda na EPREL naljepnici.

Briga o okolišu

1. Materijali ambalaže

Materijali koji se mogu reciklirati označeni su simbolom .


Stavite ambalažu u odgovarajuće kontejnere kako biste je reciklirali.

Držite materijale za pakiranje (plastične vrećice, polistirenske dijelove itd.) izvan dohvata djece jer su potencijalni izvor opasnosti.

2. Odlaganje/Zbrinjavanje

Uređaj je proizveden od materijala koji se može reciklirati.

Ovaj uređaj je označen u skladu s Europskom direktivom 2002/96/EC o otpadnoj električnoj i elektroničkoj opremi (WEEE). Ispravnim zbrinjavanjem ovog uređaja možete pomoći u sprječavanju potencijalno negativnih posljedica za okoliš i ljudsko zdravlje.

Simbol  na uređaju ili na popratnim dokumentima

označava da se ovaj uređaj ne smije tretirati kao kućni otpad, već da se mora odnijeti u poseban sabirni centar za recikliranje električne i elektroničke opreme. Kada odlažete uređaj, učinite ga neupotrebljivim tako što ćete odrezati kabel za napajanje i ukloniti vrata i police kako se djeca ne bi mogla lako popeti unutra i ostati zarobljena.

Bacite uređaj u skladu s lokalnim propisima o zbrinjavanju otpada i odnesite ga u poseban sabirni centar; ne ostavljajte uređaj bez nadzora ni nekoliko dana, jer je potencijalni izvor opasnosti za djecu. Za daljnje informacije o obradi, uporabi i recikliranju ovog proizvoda obratite se svom nadležnom lokalnom uredu, službi za prikupljanje kućnog otpada ili trgovini u kojoj ste kupili uređaj.

Izjava o sukladnosti

- Ovaj je uređaj namijenjen i dizajniran za čuvanje hrane i proizveden je u skladu s Uredbom (EC) br. 1935/2004.



- Ovaj je uređaj dizajniran, proizveden i prodaje se u skladu sa:
 - sigurnosnim ciljevima Direktive o "niskom naponu" 2014/35/EU (koja zamjenjuje 2006/95/CE i naknadne izmjene);

- zahtjevima za zaštitu iz Direktive "EMC" 2014/30/EU.
- Ovaj je uređaj dizajniran, proizveden i prodaje se u skladu sa:
 - Propisi o elektromagnetskoj kompatibilnosti 2016
 - Propisi o (sigurnosti) električnoj opremi 2016

**IKEA Jamstvo****Koliko dugo je IKEA jamstvo valjano?**

Ovo jamstvo vrijedi **2 godine** od datuma kupnje, osim ako nije drugačije navedeno u nacionalnom zakonodavstvu. U Norveškoj, Portugalu i Španjolskoj jamstvo vrijedi 3 godine od datuma isporuke kupcu, osim ako nije drugačije navedeno u nacionalnom zakonodavstvu. Kao dokaz kupnje potrebno je imati originalni račun. Usluga servisiranja u jamstvenom roku ne produžuje jamstveni rok uređaja.

Tko izvršava servisne usluge?

Davatelj usluga IKEA pružit će uslugu putem vlastitih servisnih službi ili ovlaštene mreže partnera.

Što je pokriveno ovim jamstvom?

Ovo jamstvo pokriva kvarove na uređaju nastale kao posljedica grešaka u konstrukciji ili materijalima od datuma kupovine od IKEA-e. Ovo jamstvo odnosi se samo na kućnu uporabu. Izuzeci su navedeni pod naslovom „Što nije pokriveno ovim jamstvom?“ Pod jamstvenim rokom, troškovi za uklanjanje kvarova, kao npr. popravci, dijelovi, troškovi rada i transportni troškovi su obuhvaćeni jamstvom, pod uvjetom da je uređaj dostupan za popravak bez posebnih izdataka. Na ove se uvjete primjenjuju smjernice EU (br. 99/44/EG) i odgovarajući lokalni propisi. Zamijenjeni dijelovi postaju vlasništvo IKEA-e.

Što će IKEA učiniti kako bi riješila problem?

Davatelj usluga imenovan od strane tvrtke IKEA pregledat će proizvod i prema vlastitom nahođenju odlučiti je li pokriven ovim jamstvom. Ako se smatra pokrivenim, dobavljač usluga IKEA ili njezin ovlaštenu servisni servis putem vlastitih servisnih operacija, tada će, prema vlastitom nahođenju, popraviti neispravn proizvod ili ga zamijeniti istim ili sličnim proizvodom.

Što nije pokriveno ovim jamstvom?

- Istrošenost pri normalnoj uporabi.
- Namjerna oštećenja ili oštećenja nastala uslijed nemarnosti, nepoštivanja uputa za rad, neispravne instalacije ili ukopčavanje na pogrešan napon, kao posljedica kemijskih ili elektrokemijskih reakcija, hrđe, korozije ili prodora vode, koja obuhvaćaju ali se ne ograničavaju na oštećenja prouzročena pretjeranom količinom kamenca u vodovodu i abnormalnim uvjetima okoliša.
- Potrošni dijelovi uključujući baterije i žarulje.
- Nefunkcionalni i dekorativni dijelovi koji ne utječu na normalnu uporabu uređaja, uključujući bilo kakve ogrebotine ili moguće razlike u boji.
- Slučajna oštećenja prouzročena stranim predmetima ili tvarima i čišćenjem ili deblokiranjem filtera, sustava za ispuštanje vode ili ladica za sredstvo za pranje.
- Oštećenja sljedećih dijelova: staklokeramike, pribora, košara za posuđe i pribora za jelo, dovodnih i odvodnih cijevi, brtvi, žarulja i poklopaca za žarulje, zaslona, gumbova, kućišta i dijelova kućišta. Osim ako se može dokazati da su ta oštećenja prouzročena greškama u proizvodnji.
- Slučajevi u kojima nije pronađena greška tijekom posjeta tehničara.
- Popravci koji nisu izvršeni od strane naših pružatelja usluga i/ili ugovorno ovlaštenih servisnih partnera ili ako se nisu koristili originalni rezervni dijelovi.
- Popravci prouzročeni pogrešno izvršenim instalacijama ili instalacijama koje nisu u skladu sa specifikacijom.
- Uporaba uređaja u ne-kućanske, odnosno profesionalne svrhe.
- Oštećenja prouzročena prijevozom. U slučaju da kupac prevozi proizvod do svog doma ili na neku drugu adresu, IKEA nije odgovorna za bilo kakva oštećenja nastala tijekom prijevoza. Međutim, ako IKEA isporuči proizvod na adresu kupca, u tom slučaju oštećenja na proizvodu nastala tijekom isporuke bit će na teret IKEA-e.

- Troškovi izvođenja prve instalacije IKEA uređaja. Međutim, ako imenovani pružatelj usluga IKEA-e ili njegov ovlašteno servisni partner izvrši popravak ili zamijeni uređaj pod uvjetima ovog jamstva, imenovani pružatelj usluga ili njegov ovlašteno servisni partner će ponovo instalirati popravljene uređaj ili će, ako je neophodno, instalirati zamijenjeni uređaj.

Ovo se ograničenje ne odnosi na radove bez grešaka koje obavlja kvalificirani stručnjak koristeći naše originalne dijelove kako bi uređaj prilagodio tehničkim sigurnosnim specifikacijama druge zemlje EU.

Primjena lokalnih zakona

IKEA jamstvo pruža vam posebna zakonska prava, koja pokrivaju ili premašuju lokalne zakonske zahtjeve. Međutim, ovi uvjeti ne ograničavaju ni na koji način potrošačka prava zajamčena lokalnim zakonodavstvom.

Područje valjanosti

Za uređaje koji su kupljeni u jednoj od zemalja Europske unije i odneseni u drugu zemlju u Europskoj uniji, usluge će biti pružene u okviru uvjeta jamstva koji se normalno primjenjuju u novoj zemlji. Obveza izvršenja usluga u okviru jamstva postoji samo ako je uređaj instaliran u skladu s:

- tehničkim specifikacijama zemlje u kojoj se podnosi zahtjev pod jamstvom;
- Uputama za montažu i Sigurnosnim informacijama u Uputama za uporabu.

POSTPRODAJNA služba za IKEA uređaje

Ne ustručavajte se kontaktirati IKEA postprodajnu službu te:

- podnijeti zahtjev za servisiranje pod ovim jamstvom;
- zatražiti pojašnjenja o ugradnji IKEA uređaja u namjenski kuhinjski namještaj IKEA;
- radi dodatnih informacija u vezi s funkcijama IKEA uređaja.

Kako bismo vam zajamčili dobivanje najbolje pomoći, prije nego što nas kontaktirate, pažljivo pročitajte Upute za montažu i/ili Upute za uporabu.

Kako doći do nas ako trebate našu uslugu



Telefonske brojeve IKEA pružatelja usluga nakon prodaje možete pronaći na kraju ovog priručnika.

- ❗ **Preporučamo da koristite određene telefonske brojeve navedene na kraju ovog priručnika kako bismo vam pružili bržu uslugu. Uvijek se obratite na brojeve navedene u knjižici određenog uređaja za koji vam je potrebna pomoć. Ne zaboravite navesti 8-znamenkasti broj artikla i 22-znamenkasti serijski broj prikazan na pločici s podacima vašeg uređaja.**

❗ SAČUVAJTE RAČUN!

To je vaš dokaz o kupnji i potreban vam je za valjanost jamstva. Isto tako, na računu možete naći naziv i broj IKEA artikla (8-znamenkasti broj koda) za svaki od uređaja koji ste kupili.

Trebate li dodatnu pomoć?

Za sva dodatna pitanja o vašem uređaju koja nisu vezana s ovlaštenim servisnim centrom, molimo vas da kontaktirate najbliži pozivni centar robne kuće IKEA. Savjetujemo vam da pažljivo pročitate dokumentaciju koja se odnosi na uređaj prije nego što nas kontaktirate.

Informacije o rezervnim dijelovima

- Sljedeći rezervni dijelovi: termostati, temperaturni senzori, tiskane pločice i izvori svjetla, bit će dostupni profesionalnim serviserima minimalno sedam godina, nakon plasiranja posljednje jedinice modela na tržište.
- Sljedeći rezervni dijelovi: ručke za vrata, šarke za vrata, ladice i košare bit će dostupni profesionalnim serviserima i krajnjim korisnicima minimalno sedam godina, a brtve za vrata minimalno 10 godina, nakon plasiranja posljednje jedinice modela na tržište.

Rezervne je dijelove moguće pronaći na: www.ikea.com

Sadržaj

Informacije o bezbednosti	249	Svakodnevna upotreba	254
Bezbednosna uputstva	250	Čišćenje i održavanje	254
Postavljanje.....	252	Rešavanje problema	255
Prva upotreba.....	253	Tehničke informacije	257
Opis proizvoda	253	Informacije u vezi sa zaštitom životne sredine	257
Rad uređaja.....	253	Garancija kompanije IKEA.....	258

Informacije o bezbednosti

Pažljivo pročitajte priložena uputstva pre postavljanja i upotrebe uređaja. Proizvođač nije odgovoran ako nepravilna ugradnja ili upotreba dovedu do povreda ili oštećenja. Uvek držite uputstva uz aparat za buduću upotrebu.

Bezbednost dece i ugroženih osoba



UPOZORENJE: Rizik od požara / Zapaljivi materijali

- Deca od 8 godina i starija, kao i osobe sa smanjenim fizičkim, čulnim ili mentalnim sposobnostima ili bez dovoljnog iskustva i znanja mogu da koriste ovaj uređaj samo ako su pod nadzorom ili su im data uputstva u vezi sa korišćenjem uređaja na bezbedan način i ako razumeju opasnosti koje pri tome postoje. Deca ne smeju da se igraju ovim uređajem. Održavanje i čišćenje ne smeju da obavljaju deca bez nadzora. Deca moraju da budu pod nadzorom da se ne bi igrala sa uređajem.
- Ovaj uređaj smeju da koriste deca uzrasta između 3 i 8 godina i osobe sa izraženijim i složenijim invaliditetima, pod uslovom da su pravilno obučeni za upotrebu.
- Deca mlađa od 3 godine ne treba da se približavaju uređaju ako nisu neprekidno pod nadzorom.
- Deca ne smeju da se igraju uređajem.
- Deca ne smeju da čiste i održavaju ovaj uređaj bez nadzora.
- Deca uzrasta od 3 do 8 godina smeju da stavljaju stvari u rashladne uređaje i da ih iz njih uzimaju.

- Držite svu ambalažu van domašaja dece i pravilno je odložite.

Opšta bezbednost

- Ovaj uređaj namenjen je za upotrebu u domaćinstvu i sličnim sredinama kao što su:
 - čajne kuhinje u okviru prodavnica, kancelarija i drugih poslovnih prostora;
 - na farmama i od strane gostiju hotela, motela i u drugom stambenom prostoru;
 - u ugostiteljskim objektima koji pružaju noćenje sa doručkom;
 - catering i slične nemaloprodajne potrebe.
- **UPOZORENJE:** Ventilacioni otvori na kućištu uređaja ili elementu u koji je ugrađen ne smeju biti blokirani.
- **UPOZORENJE:** Nemojte koristiti mehaničke uređaje ili druga sredstva za ubrzavanje postupka odmrzavanja osim onih koje je preporučio proizvođač.
- **UPOZORENJE:** Pazite da ne oštetite sistem rashladnog sredstva.
- **UPOZORENJE:** Nemojte koristiti električne uređaje u odeljcima za čuvanje namirnica u ovom uređaju ako nisu preporučeni od strane proizvođača.
- **UPOZORENJE:** Nemojte čistiti uređaj raspršenom vodom i parom.
- **UPOZORENJE:** Uređaj čistite vlažnom mekom krpom. Koristite isključivo neutralni deterdžent. Nemojte koristiti abrazivna sredstva, abrazivne jastučice za čišćenje, rastvarače ili metalne predmete.

- **UPOZORENJE:** Nemojte u ovom uređaju držati eksplozivna sredstva poput limenki spreja sa zapaljivim punjenjem.
- **UPOZORENJE:** Ako je kabl za napajanje oštećen, potrebno je da ga zameni proizvođač, ovlašćeni serviser ili druga kvalifikovana osoba kako bi se izbegla opasnost.
- **UPOZORENJE:** Vodite računa da prilikom postavljanja uređaja ne uštinete i ne oštetite strujni kabl.
- **UPOZORENJE:** Nemojte postavljati produžne kablove ni prenosive izvore napajanja iza uređaja.
- Ako duže vreme budete držali vrata otvorenim, temperatura u odeljcima uređaja može znatno da poraste.
- Redovno čistite površine uređaja koje dospevaju u kontakt sa namirnicama i dostupnim sistemima za ceđenje.
- Čistite rezervoare za vodu ako nisu korišćeni 48 sati; ispirajte sistem za vodu koji je povezan sa dovodom vode ako voda nije povučena 5 dana.
- Sirovo meso i ribu držite u odgovarajućim posudama u frižideru da ne bi dolazili u kontakt sa drugim namirnicama i da ne bi kapali na njih.
- Ako će se rashladni uređaj držati praznim duže vreme, isključite ga, odledite ga, očistite ga, osušite ga i ostavite vrata otvorenim da se u uređaju ne bi stvarala buđ.
- Ovaj rashladni uređaj nije pogodan za zamrzavanje namirnica.
- Ovaj rashladni uređaj nije namenjen da se koristi kao ugradni uređaj.
- Odeljci za zamrznute namirnice sa dve zvezdice su pogodni za čuvanje već smrznutih namirnica, čuvanje i pravljenje sladoleda i pravljenje kockica leda.
- Odeljci sa jednom, dve i tri zvezdice nisu pogodni za zamrzavanje svežih namirnica.
- **UPOZORENJE:** Da ne bi nastala opasnost zbog nestabilnosti uređaja, on mora da se fiksira prema uputstvima.

Bezbednosna uputstva

Postavljanje

⚠ UPOZORENJE! Samo kvalifikovana osoba sme da postavi ovaj uređaj.

- Odstranite svu ambalažu.
- Nemojte postavljati ili koristiti oštećeni uređaj.
- Pratite uputstvo za postavljanje koje ste dobili uz uređaj.
- Budite pažljivi uvek kad premeštate uređaj, jer je težak. Uvek nosite zaštitne rukavice i zatvorenu obuću.
- Pazite da ne oštetite podove (npr. parket) prilikom pomeranja uređaja.
- Pazite da uređaj ne stoji blizu izvora toplote.
- Postavite i nivelišite uređaj na podu tako da bude dovoljno stabilan da nosi svoju težinu, vodeći računa da mesto postavljanja odgovara njegovoj veličini i upotrebi.
- Proverite da li vazduh može da struji oko uređaja.
- Pri prvom postavljanju ili posle promene strane sa koje se otvaraju vrata, sačekajte bar 4 sata pre nego što priključite uređaj na napajanje. Na taj način se omogućava da se ulje vrati u kompresor.
- Pre ma kakvih radnji na uređaju (npr. promena strane sa koje se otvaraju vrata), izvucite utikač iz strujne utičnice.
- Zadnji deo uređaja mora biti postavljen uza zid.

- Nemojte postavljati uređaj na direktnu sunčevu svetlost.
- Nemojte postavljati ovaj uređaj na mesta koja imaju mnogo vlage ili koja su mnogo hladna, kao što su vinski podrumi.

Povezivanje na električnu mrežu

⚠ UPOZORENJE! Rizik od požara i strujnog udara.

⚠ UPOZORENJE! Vodite računa da prilikom postavljanja uređaja ne uštinete i ne oštetite strujni kabl.

⚠ UPOZORENJE! Nemojte koristiti adaptere sa više utičnica ili produžne kablove.

- Uređaj mora biti uzemljen.
- Vodite računa da parametri na nazivnoj pločici odgovaraju parametrima strujnog kola.
- Uvek koristite pravilno ugrađenu utičnicu sa zaštitom od strujnog udara.
- Pazite da ne oštetite električne komponente (npr. utikač, kabl za napajanje, kompresor). Za zamenu električnih komponenti kontaktirajte ovlašćeni servis.
- Strujni kabl mora biti ispod nivoa utikača.

- Po završetku postavljanja priključite utikač strujnog kabla u utičnicu. Proverite da li nakon postavljanja postoji pristup utikaču.
- Pri izvlačenju utikača iz utičnice ne vucite za kabl. Uvek uhvatite i izvucite utikač.
- Samo za UK i Irsku:
Ovaj uređaj je opremljen priključkom za el. energiju snage 13 A. Ako treba zameniti osigurač glavnog utikača, koristite samo osigurač od 13 A ASTA (BS 1362).

Upotreba

⚠ UPOZORENJE! Opasnost od povrede, opekotina, strujnog udara ili požara.



Cevi rashladnog kola sadrže malu količinu ekološki prihvatljivog, ali zapaljivog rashladnog sredstva R600a. Ono ne oštećuje ozonski omotač i ne pojačava efekat staklene bašte. Ako rashladno sredstvo iscuri, može vam povrediti oči ili se zapaliti. Pazite da ne oštetite cevi.

- Površina kompresora može postati vruća tokom normalnog rada. Nemojte je dirati rukama.
- Nemojte menjati specifikacije ovog uređaja.
- Nemojte stavljati električne uređaje (npr. aparate za sladoled) u uređaj, osim ako je proizvođač naveo da je to moguće.
- Ako dođe do oštećenja u sistema rashladnog sredstva, proverite da u prostoriji nema plamena i izvora paljenja. Provetrite prostoriju.
- Nemojte dozvoliti da vrući predmeti dodiruju plastične delove uređaja.
- Nemojte čuvati flaširana pića u odeljku zamrzivača jer može doći do njihovog pucanja ili drugih oštećenja.
- Nemojte stavljati zapaljive gasove ili tečnosti u uređaj.
- Nemojte stavljati zapaljive proizvode ili predmete nakvašene zapaljivim proizvodima u uređaj, pored njega ili na njega.
- Ne dodirujte kompresor ili kondenzator. Oni su vrući.
- Ne vadite i ne dodirujte namirnice iz odeljka za zamrznute namirnice mokrim ili vlažnim rukama.
- Nemojte gutati (netoksičan) sadržaj paketića leda.
- Ne jedite kockice leda i ledene lizalice odmah po vađenju iz zamrzivača jer vam mogu stvoriti promrzline.
- Odmrznute namirnice ne treba vraćati u odeljak za zamrznute namirnice.
- Pratite uputstva za čuvanje navedena na ambalaži prehrambenih proizvoda.

Unutrašnje osvetljenje

⚠ UPOZORENJE! Rizik od strujnog udara.

- Sijalica koja se koristi u uređaju je posebno dizajnirana za kućne aparate i nije pogodna za opšte osvetljenje prostorija u kući ((EU) 2019/2020).

Održavanje i čišćenje

⚠ UPOZORENJE! Opasnost od povreda ili oštećenja uređaja.

- Pre održavanja isključite uređaj i utikač izvadite iz strujne utičnice.
- Ovaj uređaj sadrži ugljovodonike u jedinici za hlađenje. Samo kvalifikovana osoba sme da vrši održavanje i dopunu jedinice.
- Redovno proveravajte odvod uređaja i po potrebi ga čistite. Ako je odvod začepljen, odmrznuta voda će se skupljati na dnu uređaja.

Servisiranje

- Za popravke uređaja, obratite se ovlašćenom servisu, navedenom na kraju ovog priručnika.
- Koristite isključivo originalne rezervne delove.

Odlaganje

⚠ UPOZORENJE! Rizik od povrede ili gušenja.

- Uređaj isključite iz električne mreže.
- Isecite strujni kabl i bacite ga.
- Uklonite vrata kako biste sprečili zatvaranje dece i kućnih ljubimaca unutar uređaja.
- Sistem rashladnog sredstva i izolacioni materijali u ovom uređaju nisu štetni po ozon.
- Izolaciona pena sadrži zapaljive gasove. Pitajte opštinske organe kako da pravilno odložite aparat.
- Nemojte uzrokovati oštećenje delova jedinice za hlađenje koji se nalazi u blizini toplote.

Proizvođač odbija bilo kakvu odgovornost za povrede osoba ili životinja ili štetu na imovini ako se gore navedeni saveti i mere opreza ne poštuju.

Postavljanje

⚠ UPOZORENJE! Pre postavljanja uređaja, pažljivo pročitajte informacije o bezbednosti u ovoj knjižici.

Lista za proveru pri ugradnji

Vrata

- Vrata sa svih strana potpuno naležu na sanduk
- Vrata su nivelisana

Nivelisanje

- Frižider je u nivelisan

Električna energija

- Sačekajte 4 sata
- Električna mreža kuće radi
- Frižider je priključen u struju

Poslednje provere

- Ambalaža je uklonjena
- Temperatura frižidera je podešena

Pozicioniranje

- Prilikom postavljanja ovog uređaja poštujuć zasebna uputstva za sklapanje.
- Postavite uređaj na mestu gde sobna temperatura odgovara klimatskoj klasi navedenoj na nazivnoj pločici uređaja. Ovo obezbeđuje ispravan rad uređaja. Objašnjenje klimatskih klasa je sledeće:

Klimatska klasa	Raspon temperature okoline
SN	Od +10 °C to +32 °C
N	Od +16 °C to +32 °C
ST	Od +16 °C to +38 °C
T	Od +16 °C to +43 °C

- „SN“ označava da je ovaj rashladni uređaj namenjen za upotrebu pri temperaturi okoline u rasponu od 10 °C do 32 °C.
- „N“ označava da je ovaj rashladni uređaj namenjen za upotrebu pri temperaturi okoline u rasponu od 16 °C do 32 °C.
- „ST“ označava da je ovaj rashladni uređaj namenjen za upotrebu pri temperaturi okoline u rasponu od 16 °C do 38 °C.
- „T“ označava da je ovaj rashladni uređaj namenjen za upotrebu pri temperaturi okoline u rasponu od 16 °C do 43 °C.

- ⓘ** Kod nekih modela uređaja mogu se javiti neki funkcionalni problemi kada rade izvan navedenih temperaturnih opsega. Ispravan rad može da se garantuje samo u okviru navedenog temperaturnog opsega. Ako imate bilo kakvih nedoumica u vezi sa postavljanjem, obratite se prodavcu, našoj korisničkoj službi ili najbližem ovlašćenom servisu.

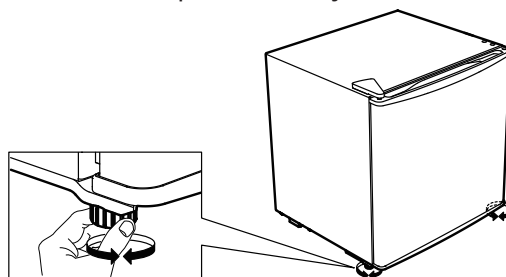
Lokacija

Da biste osigurali najbolje performanse, postavite uređaj daleko od izvora toplote kao što su radijatori, bojleri i direktna sunčeva svetlost. Uverite se da vazduh može slobodno da struji iza pozadine kabineta.

Nivelisanje uređaja

Ako je uređaj nagnut na neku stranu, podesite dve stopice na prednjoj strani uređaja da biste ga nivelisali. Detaljna uputstva za montažu potražite u zasebnim uputstvima za sklapanje.

1. Isključite utikač strujnog kabela uređaja iz strujne utičnice.
2. Okrećite stopicu udesno da biste podigli uređaj. Okrećite stopicu u smeru suprotnom od kazaljke na satu da biste spustili uređaj.



Čišćenje uređaja

Pre prve upotrebe uređaja, očistite uređaj da biste uklonili tipičan miris potpuno novog proizvoda.

1. Uverite se da je uređaj isključen iz napajanja.
2. Obrišite unutrašnjost mekom, navlaženom krpom.
3. Operite unutrašnje dodatke mlakom vodom i neutralnim sapunom, a zatim ih dobro osušite.

OPREZ!

Nemojte koristiti abrazivna, hloridna ili kisela sredstva za čišćenje ili rastvarače.

- Nemojte koristiti sunđere za ribanje ili abrazivne sunđere. Metalne površine mogu korodirati.
- Nikada nemojte čistiti dodatke u mašini za pranje sudova. Mogu se deformisati.

Povezivanje na električnu mrežu

⚠ OPREZ! Sve zahvate u vezi sa strujom neophodne pri postavljanju ovog uređaja treba da izvrši kvalifikovani električar ili drugo kompetentno lice.

⚠ UPOZORENJE! Ovaj aparat mora da ima uzemljenje. Nepoštovanje ovih uputstava može dovesti do smrti, požara ili strujnog udara. Proizvođač ne snosi odgovornost u slučaju nepoštovanja ovih bezbednosnih mera. Ovaj uređaj je usklađen sa direktivama EEZ.

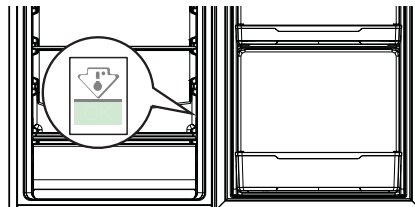
Prva upotreba

Priključite uređaj u strujnu utičnicu. Idealne temperature čuvanja namirnica su već fabrički podešene (srednje).

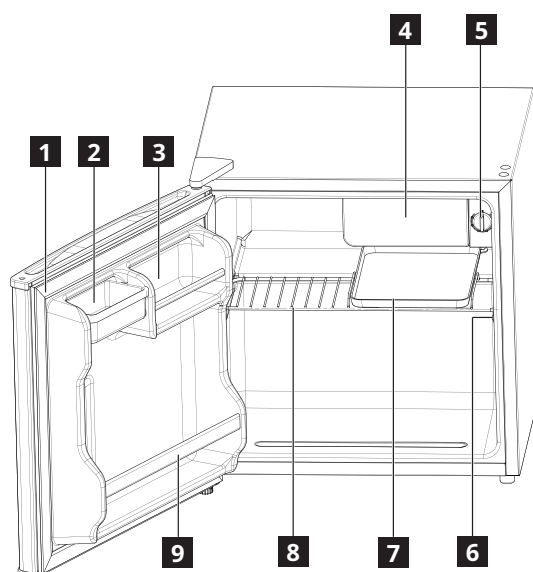
Napomena: Nakon uključivanja, aparatu je potrebno 4-5 sati da bi dostigao odgovarajuću temperaturu za skladištenje tipične količine hrane.

Važno!

U skladu sa propisima u nekim zemljama, mora da se isporučuje sa posebnim uređajem (pogledajte sliku ispod) postavljenim u donji odeljak frižidera uređaja, da bi ukazivao na njegovu najhladniju zonu.



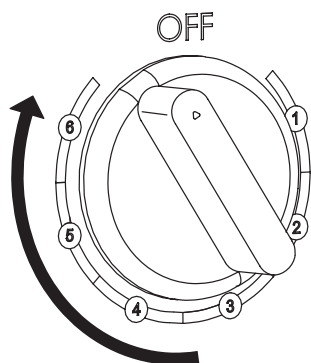
Opis proizvoda



- 1** Zaptivka vrata
- 2** Korpica
- 3** Držač za limenke
- 4** Rashladni odeljak

- 5** Regulator temperature
- 6** Pločica
- 7** Tacna za odmrzavanje
- 8** Polica
- 9** Držač za flaše

Rad uređaja



Uključivanje

Priključite utikač u utičnicu i podesite temperaturu. Uređaj se uključuje i počinje da radi.

Podešavanje temperature

Temperatura se automatski reguliše.

Da biste podesili temperaturu:

- Okrenite regulator temperature na nižu vrednost da biste smanjili temperaturu.
- Okrenite regulator temperature na višu vrednost da biste povećali temperaturu.

i Srednja vrednost je obično najpogodnija.

Prilikom podešavanja temperature imajte u vidu da temperatura unutar uređaja zavisi od:

- temperature sobe
- učestalosti otvaranja vrata
- količine skladištenih namirnica
- mesta gde je uređaj postavljen

Važno! Ako je temperatura okoline visoka ili je uređaj napunjen, ali je podešen na najnižu temperaturu, može neprekidno da radi i stvara led na zadnjem zidu. U tom slučaju morate da podesite višu temperaturu da bi uređaj mogao automatski da se otapa, čime se smanjuje potrošnja struje.

Svakodnevna upotreba

Saveti za hlađenje svežih namirnica

- Pokrivajte ili zamotavajte namirnice, naročito ako imaju jak miris.
- Postavite namirnice tako da vazduh može slobodno da kruži oko njih.
- Radi najboljih performansi, ostavite dovoljno prostora u odeljku frižidera da vazduh može da cirkuliše oko pakovanja. Takođe, ostavite dovoljno prostora u prednjem delu kako bi vrata mogla dobro da se zatvore.
- Nemojte u frižideru držati tople namirnice ili tečnosti koje isparavaju.
- Kuvana hrana i hladna jela: pokrijte i stavite na ma koju policu.
- Voće i povrće: dobro ih očistite i stavite ih u fioku za povrće. Banane, krompir, crni i beli luk ne smeju da se drže u frižideru ako nisu upakovani.
- Puter i sir: stavite ih u namensku posudu koja ne propušta vazduh ili ih umotajte u aluminijsku foliju ili polietilensku kesu, tako da izbacite što je moguće više vazduha.
- Flaše: zatvoriti čepovima i staviti u korpice na vratima.

Saveti za uštedu energije

- Postavite uređaj u suhu prostoriju sa dobrom ventilacijom, podalje od svih izvora toplote (npr. radijator, šporet itd.), na mesto na kom neće

Saveti:

- Što je niža temperatura, duže možete bezbedno da čuvate hranu, a uređaj troši više električne energije.
- Što je viša temperatura, to vaša uskladištena hrana brže propada, a uređaj troši manje električne energije.

Isključivanje

Da biste isključili uređaj, okrenite dugme regulatora temperature u položaj „OFF“, a zatim izvucite utikač iz električne utičnice.

biti izložen direktnom suncu. Po potrebi, koristite izolacionu ploču.

- Da bi se zagarantovala odgovarajuća ventilacija, pratite uputstva za postavljanje.
- Nedovoljna ventilacija sa zadnje strane proizvoda povećava potrošnju struje i smanjuje efikasnost hlađenja.
- Na unutrašnje temperature mogu uticati temperatura okoline, učestalost otvaranja vrata, kao i pozicija uređaja. Pri podešavanju temperature treba uzeti u obzir ove faktore.
- Ostavite toplu hranu i piće da se ohlade pre stavljanja u ovaj uređaj.
- Ne blokirajte ventilator (ako postoji) namirnicama.
- Nakon stavljanja ili uklanjanja hrane, uverite se da ste pravilno zatvorili vrata, posebno vrata zamrzivača.
- Smanjite otvaranje vrata na minimum.
- Ako odmrzavate smrznute namirnice, stavite ih u frižider. Niska temperatura smrznutih proizvoda rashlađuje namirnice u frižideru.
- Pozicioniranje police u frižideru nema uticaja na efikasnost iskorišćenja energije. Namirnice treba da se stave na police na takav način da se osigura pravilna cirkulacija vazduha (namirnice ne treba međusobno da se dodiruju i treba održavati razmak između namirnica i zadnjeg zida).
- Oštećene zaptivke moraju se zameniti što je pre moguće.

Čišćenje i održavanje

Opšti saveti

- Redovno čistite uređaj krpom i rastvorom tople vode i neutralnog deterdženta koji je posebno formulisan za unutrašnjost frižidera. Ne koristite abrazivna sredstva i pribor za čišćenje.
- Pre servisiranja ili čišćenja uređaja, isključite ga iz strujne utičnice ili mu prekinite napajanje strujom.

OPREZ! Dodatna oprema frižidera ne sme da se stavlja u mašinu za pranje sudova.

Odmrzavanje uređaja

- Odmrznite uređaj kad god sloj leda na površini isparivača postane debeo od 3 do 4 mm.
- Pre odmrzavanja uklonite svu hranu i isključite uređaj. Stavite posudu za prikupljanje tečnosti ispod isparivača da biste sakupili otoplenu vodu.
- Nakon što se sav led otopi, otoplenu vodu izlijte, unutrašnjost uređaja osušite suvom krpom i ponovo uključite uređaj.

Ako uređaj ne koristite duže vreme

1. Isključite uređaj.
2. Isključite uređaj iz napajanja.
3. Izvadite sve namirnice.
4. Odmrznite i očistite uređaj.

5. Ostavite vrata otvorena tek toliko da vazduh može da cirkuliše unutar odeljaka. To će sprečiti nastanak buđi i neprijatnih mirisa.

U slučaju nestanka struje

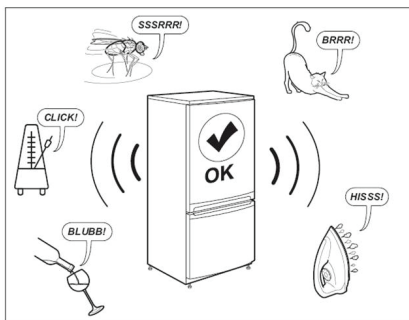
- Držite vrata uređaja zatvorenim. To će omogućiti da namirnice što duže ostanu hladne.

Rešavanje problema

Problem	Mogući uzrok	Rešenje
Uređaj ne radi.	Uređaj je isključen.	Uključite uređaj.
	Utikač nije ispravno priključen u strujnu utičnicu.	Pravilno priključite utikač u strujnu utičnicu.
	Nema napona u strujnoj utičnici.	Da biste saznali da li mrežna utičnica radi, priključite na nju drugi električni uređaj. Obratite se kvalifikovanom električaru da popravi utičnicu.
Uređaj je bučan.	Uređaj nije stabilan.	Nivelišite uređaj. Pogledajte „Nivelisanje uređaja“ ili zasebna uputstva za sklapanje.
Kompresor neprekidno radi.	Podešena temperatura je preniska.	Podesite na višu temperaturu. Pogledajte „Rad uređaja“.
	Uneli ste mnogo namirnica odjednom.	Pričekajte nekoliko sati, pa ponovno proverite temperaturu.
	Sobna temperatura je previsoka.	Ako je moguće, ponovo pozicionirajte uređaj. Pogledajte „Pozicioniranje“.
	Namirnice stavljene u uređaj su bile pretople.	Ostavite namirnice da se ohlade do sobne temperature pre skladištenja.
	Vrata nisu pravilno zatvorena.	Pogledajte poglavlje „Zatvaranje vrata“.
Temperatura u uređaju je preniska/previsoka.	Temperatura nije pravilno podešena.	Podesite na višu/nišu temperaturu.
	Vrata nisu pravilno zatvorena.	Pogledajte poglavlje „Zatvaranje vrata“.
	Namirnice stavljene u uređaj su bile pretople.	Ostavite namirnice da se ohlade do sobne temperature pre skladištenja.
	Uneli ste mnogo namirnica odjednom.	Unosite manje namirnica odjednom.
	Debljina leda je veća od 4–5 mm.	Odmrznite uređaj.
	Vrata se prečesto otvaraju.	Vrata otvarajte samo kad je potrebno.
	U uređaju nema dovoljno cirkulacije hladnog vazduha.	Postavite hranu tako da vazduh može slobodno da cirkuliše u uređaju.
Vrata se ne zatvaraju potpuno.	Pogledajte poglavlje „Zatvaranje vrata“.	

Normalni zvukovi

Normalno je da sistem za hlađenje proizvodi neke zvukove, kao što su klokotanje i šištanje.



Zatvaranje vrata

Ako	Uradite
Zaptivke vrata su prljave.	Očistite ih.
Zaptivke vrata su oštećene.	Obratite se ovlaštenom postprodajnom servisu da bi ih zamenili.
Vrata su blokirana policama, fiokama, namirnicama itd.	Postavite ih ispravno ili uklonite predmete koji blokiraju vrata.
Uređaj nije horizontalan.	Nivelišite uređaj. Pogledajte „Nivelisanje uređaja“ ili zasebna uputstva za sklapanje.
Vrata nisu poravnata sa sandukom.	Podesite vrata. Pogledajte zasebna uputstva za sklapanje.

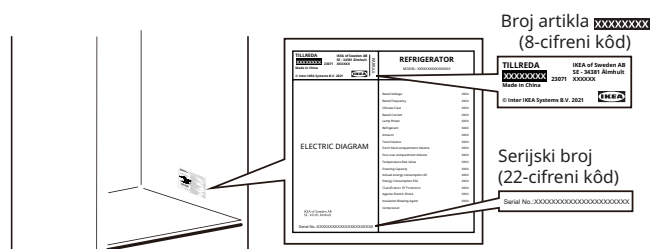
Pre nego što kontaktirate postprodajnu službu:

Isključite pa uključite uređaj da vidite da li je problem nestao. Ako nije nestao, ponovo isključite uređaj i ponovite radnju nakon jednog sata.

Ako uređaj i dalje ne radi pravilno nakon izvršenja provera navedenih u vodiču za rešavanje problema i ponovnog uključivanja uređaja, obratite se ovlašćenom postprodajnom servisu, jasno objasnite problem i navedite:

- priroda problema
- datum kupovine
- model i serijski broj uređaja

❶ Broj artikla i serijski broj prikazani su na nazivnoj pločici, sa unutrašnje desne strane uređaja.



Slika služi samo kao referenca


Tehničke informacije

Kategorija proizvoda	
Tip proizvoda	Frižider
Tip postavljanja	Samostojeći
Dimenzije proizvoda	
Visina	492 mm
Širina	472 mm
Dubina	450 mm
Neto zapremina	
Frižider	43,0 l
Sistem odmrzavanja	
Frižider	Ručno
Ostale specifikacije	
Klasa uređaja	-
Vreme porasta temperature	-
Potrošnja električne energije	80 kWh/god
Nivo buke	41 dB(A)
Energetska klasa	E
Nominalni napon	220–240 V~
Nominalna frekvencija	50 Hz
Izvor svetlosti klase energetske efikasnosti	-

Napomena: Informacijama o proizvodu u bazi proizvoda može se pristupiti skeniranjem QR koda na EPREL etiketi.

Informacije u vezi sa zaštitom životne sredine

1. Ambalaža

Materijali koji se mogu reciklirati označeni su simbolom .

Stavite materijal ambalaže u odgovarajuću kantu za reciklažu.

Držite ambalažni materijal (plastične kese, stiropor itd.) van domašaja dece, jer je on potencijalni izvor opasnosti.

2. Povlačenje iz upotrebe/Odlaganje

Uređaj je proizveden uz upotrebu materijala koji se može reciklirati.

Uređaj je označen shodno evropskoj direktivi 2002/96/EC za otpadnu električnu i elektronsku opremu (WEEE). Pravilnim odlaganjem ovog uređaja možete pomoći u sprečavanju potencijalno negativnih posledica po životnu sredinu i zdravlje ljudi.

Simbol  na uređaju ili u priloženoj dokumentaciji

ukazuje da ovaj uređaj ne sme da se tretira kao kućni otpad već se mora odneti u specijalno prikupljalište radi recikliranja električne i elektronske opreme. Prilikom povlačenja uređaja iz upotrebe, onemogućite njegovu dalju upotrebu tako što ćete odseći strujni kabl i ukloniti vrata i police da deca ne bi mogla lako da se popnu unutra i budu zarobljena.

Povucite uređaj iz upotrebe u skladu sa lokalnim propisima o odlaganju otpada, i to tako što ćete ga odneti u specijalno prikupljalište; ne ostavljajte uređaj bez nadzora, čak ni na nekoliko dana, jer on predstavlja izvor opasnosti po decu.

Za dodatne informacije o tretiranju, iskorišćenju i recikliranju ovog proizvoda obratite se nadležnoj lokalnoj kancelariji, servisu za prikupljanje kućnog otpada ili prodavnicu u kojoj ste kupili uređaj.

Izjava o saobraznosti

- Ovaj uređaj je dizajniran za čuvanje hrane i proizveden je u skladu sa Uredbom (EC) br. 1935/2004.
- Ovaj uređaj je projektovan, izrađen i prodaje se u skladu sa:
 - bezbednosnim ciljevima direktive za „niski napon“ 2014/35/EU (koja zamenjuje 2006/95/CE i kasnije izmene i dopune);



- zaštitnim uslovima direktive za elektromagnetsku kompatibilnost (EMC) 2014/30/EU.
- Ovaj uređaj je projektovan, izrađen i prodaje se u skladu sa:
 - Propisi o elektromagnetnoj kompatibilnosti iz 2016
 - Propisi o električnoj opremi (bezbednosti) iz 2016



Garancija kompanije IKEA

Koliko traje garancija kompanije IKEA?

Garancija važi **2 godine** od datuma kupovine, osim ako je drukčije naznačeno u nacionalnim propisima. U Norveškoj, Portugaliji i Španiji, garancija važi 3 godine od datuma isporuke kupcu, osim ako je drukčije naznačeno u nacionalnim propisima. Kao dokaz kupovine treba priložiti originalni fiskalni isečak. Ako se servisira aparat pod garancijom, to neće produžiti garantni rok.

Ko će obaviti servis?

IKEA obezbeđuje servisiranje preko svojih servisa ili preko mreže ovlašćenih servisera – partnera.

Šta je pokriveno ovom garancijom?

Ova garancija pokriva neispravnosti aparata prouzrokovane lošom izradom ili greškama u materijalu od dana kupovine u prodavnici IKEA. Ova garancija važi samo za proizvode koji se koriste u domaćinstvu. Izuzeci su navedeni pod naslovom „Šta nije pokriveno ovom garancijom?“ U garantnom roku pokriće se troškovi otklanjanja kvarova, npr. popravke, delovi, rad i putni troškovi, pod uslovom da je uređaj dostupan za popravku bez posebnih troškova. Pod ovim uslovima važe smernice EU (br. 99/44/EG) i odgovarajući lokalni propisi. Zamenjeni delovi postaju svojina kompanije IKEA.

Šta će IKEA uraditi da reši problem?

Ovlašćeni serviser kompanije IKEA će pregledati proizvod i ima diskreciono pravo da odluči da li je utvrđeni kvar obuhvaćen garancijom. Ako se smatra obuhvaćenim, serviser kompanije IKEA ili njegov ovlašćeni servisni partner će zatim, po sopstvenoj odluci, popraviti proizvod ili ga zameniti novim ili sličnim proizvodom.

Šta nije pokriveno ovom garancijom?

- Uobičajeno habanje.
- Šteta pričinjena namerno ili iz nehata, šteta pričinjena jer nisu uzeta u obzir uputstva za upotrebu, nepravilna ugradnja ili priključivanje na nedozvoljeni električni napon, šteta prouzrokovana hemijskom ili elektrohemijskom reakcijom, rđa, korozija ili šteta prouzrokovana vodom, uključujući, između ostalog, visok sadržaj kamenca u vodi, šteta prouzrokovana abnormalnim uslovima koji se pojavljuju u okruženju.
- Potrošni delovi, uključujući baterije i sijalice.
- Nefunkcionalni i dekorativni delovi koji ne utiču na uobičajeno korišćenje aparata, uključujući ogrebotine i moguće razlike u boji.
- Slučajna šteta pričinjena stranim predmetima ili supstancama, kao i čišćenje ili deblokiranje filtera, odvodnog sistema ili fioka za deterdžent.
- Šteta pričinjena sledećim delovima: staklokeramici, dodatnoj opremi, korpama za kuhinjsko posuđe i pribor za jelo, dovodnom i odvodnom crevu, zaptivkama, sijalicama i poklopcima lampica, displeju, dugmadi, kućištima i delovima kućišta. Osim u slučaju kada se može dokazati da su uzrok tih kvarova greške u proizvodnji.
- Slučajevi u kojima nije došlo do kvara mogu da se nađu tokom posete tehničara.
- Popravke koje nije izvršio ovlašćeni serviser i/ili ugovorni partner ovlašćenog servisa ili kada nisu korišćeni originalni delovi.
- Popravke zbog lošeg postavljanja ili postavljanja koje nije izvršeno u skladu sa specifikacijama.
- Korišćenje aparata van domaćinstva, tj. profesionalna upotreba.
- Šteta pričinjena prilikom transporta. Ako sam kupac prevozi proizvod do svoje kuće ili na drugu adresu, IKEA ne odgovara za štetu do koje može doći tokom transporta. Međutim, ako IKEA isporučuje proizvod na adresu kupca, tada će štetu koja se pričinji proizvodu u toku ove isporuke pokriti IKEA.

- Troškovi prvog postavljanja uređaja kompanije IKEA. Međutim, ako IKEA serviser ili njegov ovlašćeni servisni partner popravlja ili zamenjuje aparat pod uslovima ove garancije, IKEA serviser ili njegov ovlašćeni servisni partner ponovo će ugraditi popravljenu uređaj ili ugraditi zamenski uređaj, po potrebi.

Ova ograničenja ne važe za rad odrađen bez greške koji je obavio kvalifikovani stručnjak koristeći originalne delove da bi prilagodio uređaj tehničkim specifikacijama za bezbednost koje važe u drugoj državi EU.

Kako se primenjuju zakoni zemlje

Garancija kompanije IKEA vam daje posebna zakonska prava koja pokrivaju ili prevazilaze sve lokalne zakonske zahteve. Međutim, ti uslovi ni na koji način ne ograničavaju prava potrošača predviđena lokalnim zakonima.

Područje važenja

Za aparate koji su kupljeni u jednoj zemlji EU i koji su odneti u drugu zemlju servis će se obezbediti u okviru garantnih uslova koji su uobičajeni u toj drugoj zemlji. Obaveza servisiranja u okviru garancije postoji samo ako uređaj zadovoljava i ako je postavljen u skladu sa:

- tehničkim specifikacijama zemlje u kojoj je podnesen garantni zahtev;
- uputstvom za montažu i bezbednosnim informacijama iz Uputstva za upotrebu.

Namenski POSTPRODAJNI servis za uređaje kompanije IKEA

Slobodno se obratite imenovanom postprodajnom servisu kompanije IKEA:

- da podnesete zahtev za servis po osnovu ove garancije;
- da biste zatražili pojašnjenja postupka postavljanja uređaja kompanije IKEA u namenski kuhinjski nameštaj kompanije IKEA;
- zatražite objašnjenja u pogledu rada uređaja kompanije IKEA.

Da bismo vam obezbedili najbolju moguću pomoć, pažljivo pročitajte Uputstva za montažu i/ili Uputstvo za upotrebu pre nego što nas kontaktirate.

Kako da dođete do nas ako vam je potreban naš ovlašćeni servisni centar



Brojeve telefona ovlašćenih IKEA serviseru možete pronaći na kraju ovog priručnika.

- **Da bismo vam pružili bržu uslugu, preporučujemo da koristite brojeve telefona navedene na kraju ovog priručnika. Uvek pozovite brojeve telefona navedene u uputstvu za upotrebu za konkretan uređaj za koji vam je potrebna pomoć. Ne zaboravite da navedete 8-cifreni broj artikla i 22-cifreni serijski broj prikazan na nazivnoj pločici vašeg uređaja.**

ČUVAJTE FISKALNI ISEČAK!

To je vaš dokaz o kupovini neophodan da bi garancija važila. Na računu se takođe nalazi IKEA naziv i broj artikla (8-cifrena šifra) za svaki od uređaja koje ste kupili.

Da li vam je potrebna dodatna pomoć?

Za sva dodatna pitanja koja nisu povezana sa servisiranjem uređaja, kontaktirajte pozivni centar najbliže prodavnice IKEA. Preporučujemo da pažljivo pročitate dokumentaciju uređaja pre nego što nas kontaktirate.

Informacije o rezervnim delovima

- Sledeći rezervni delovi: termostati, temperaturni senzori, štampane ploče i izvori svetlosti biće dostupni profesionalnim serviserima minimalno sedam godina nakon puštanja poslednje jedinice modela na tržište.
- Sledeći rezervni delovi: kvake za vrata, šarke vrata, tacne i korpe biće dostupni profesionalnim serviserima i krajnjim korisnicima minimalno sedam godina, a zaptivke vrata minimalno 10 godina, nakon puštanja poslednje jedinice modela na tržište.

Rezervne delove možete pronaći na: www.ikea.com

Kazalo

Varnostni podatki.....	260	Dnevna uporaba	265
Varnostna navodila.....	261	Čiščenje in vzdrževanje	265
Namestitev.....	263	Odpravljanje napak	266
Prva uporaba.....	264	Tehnični podatki.....	268
Opis izdelka	264	Okoljevarstveni zadržki	268
Delovanje	264	IKEA Garancija	269

Varnostni podatki

Pred namestitvijo in uporabo aparata pozorno preberite priložena navodila. Proizvajalec ni odgovoren, če je zaradi nepravilne namestitve ali uporabe prišlo do poškodb oz. škode. Navodila vedno hranite skupaj z aparatom.

Varnost otrok in ranljivih oseb



OPOZORILO: Nevarnost požara/vnetljivi materiali

- Otroci, starejši od 8 let, osebe z zmanjšanimi telesnimi, senzoričnimi ali psihičnimi sposobnostmi ter osebe brez izkušenj in znanja lahko uporabljajo aparat le, če so pod nadzorom ali so dobili navodila o varni uporabi naprave in se zavedajo nevarnosti. Otroci naj se ne igrajo z aparatom. Otroci naj ne čistijo ali vzdržujejo aparata, če niso pod nadzorom. Otroci morajo biti pod nadzorom, da se ne bi igrali z napravo.
- Otroci med 3. in 8. letom starosti ter osebe z zelo obširnimi in kompleksnimi posebnimi potrebami lahko aparat uporabljajo samo, če so prejeli ustrezna navodila.
- Otroci, mlajši od 3 let, naj ne hodijo v bližino naprave, če niso pod neprestanim nadzorom.
- Otroci se ne smejo igrati z aparatom.
- Otroci ne smejo izvajati čiščenja in uporabniškega vzdrževanja aparata brez nadzora.
- Otrokom med 3. in 8. letom starosti ni dovoljeno nalagati in prazniti aparatov za hlajenje.

- Vso embalažo hranite zunaj dosega otrok in jo ustrezno zavržite.

Splošna varnost

- Aparat je namenjen za uporabo v gospodinjstvu in podobnih primerih, kot so:
 - kuhinje za osebje v prodajalnah, pisarne in druga delovna okolja,
 - kmetije, stranke v hotelih, motelih in drugih bivalnih okoljih,
 - polpenziji,
 - gostinske storitve in podobne uporabe veleprodaje.
- **OPOZORILO:** Ne prekrivajte odprtin za prezračevanje na ohišju aparata ali v aparatu.
- **OPOZORILO:** Za pospešitev odtajanja ne uporabljajte mehanskih naprav ali drugih postopkov, temveč upoštevajte priporočila proizvajalca.
- **OPOZORILO:** Ne poškodujte hladilnega kroga.
- **OPOZORILO:** Ne uporabljajte električnih naprav znotraj predelov za shranjevanje hrane v napravi, razen če jih je odobril proizvajalec.
- **OPOZORILO:** Za čiščenje aparata ne uporabljajte vodnih razpršil in pare.
- **OPOZORILO:** Aparat očistite z vlažno mehko krpo. Uporabljajte samo nevtralne detergente. Ne uporabljajte abrazivnih izdelkov, abrazivnih čistil, topil ali kovinskih predmetov.

- **OPOZORILO:** V aparatu ne shranjujte eksplozivnih snovi, kot so pločevinke aerosola z vnetljivimi snovmi.
- **OPOZORILO:** Da bi se izognili nevarnostim, naj poškodovani električni kabel zamenja proizvajalec, pooblaščen servisni center ali podobno usposobljena oseba.
- **OPOZORILO:** Ob nameščanju naprave poskrbite, da se napajalni kabel se zatakne ali poškoduje.
- **OPOZORILO:** Ne postavljajte več prenosnih vtičnic ali prenosnih napajalnikov na zadnji strani naprave.
- Dolgotrajnejše odpiranje vrat lahko povzroči bistveno povišanje temperature znotraj predelov naprave.
- Redno čistite površine, ki prihajajo v stik s hrano, in dostopne sisteme za odvajanje.
- Očistite zbiralnike za vodo, če niso bili uporabljeni 48 ur; izperite vodni sistem, ki je priključen na dovod vode, če voda ni bila črpana 5 dni.
- Surovo meso in ribe shranjujte v ustreznih posodah v hladilniku, tako da ne bodo prišli v stik z drugimi živili ali kapljali nanje.
- Če je naprava za hlajenje dlje časa prazna, jo izklopite, odmrznite, očistite, posušite in pustite odprta vrata, da preprečite nastanek plesni znotraj naprave.
- Ta hladilna naprava ni primerna za zamrzovanje živil.
- Ta naprava za hlajenje ni namenjena za uporabo kot vgrajena naprava.
- Predeli za shranjevanje zamrznjenih živil z dvema zvezdicama so primerni za shranjevanje predhodno zamrznjenih živil, za shranjevanje ali izdelavo sladoleda in izdelavo ledenih kock.
- Predeli z eno, dvema ali tremi zvezdicami niso primerni za zamrzovanje svežih živil.
- **OPOZORILO:** Da se izognete nevarnosti zaradi nestabilnosti naprave, mora biti naprava pritrjena v skladu z navodili.

Varnostna navodila

Namestitev

- **⚠ OPOZORILO!** Napravo sme namestiti samo usposobljena oseba.
- Odstranite ves embalažni material.
- Poškodovane naprave ne nameščajte in ne uporabljajte.
- Upoštevajte navodila za namestitev, priložena napravi.
- Vedno bodite previdni ob premikanju naprave, saj je težka. Vedno uporabljajte zaščitne rokavice in zaprto obutev.
- Pazite, da med premikanjem aparata ne poškodujete tal (npr. parketa).
- Zagotovite, da aparat ni postavljen v bližino vira ogrevanja.
- Postavite in izravnajte aparat na tla, ki so dovolj močna, da vzdržijo težo aparata. Izberite mesto, ki je dovolj veliko in primerno za uporabo.
- Zagotovite zadosten pretok zraka okoli naprave.
- Ob prvi namestitvi ali po obrnitvi vrat počakajte najmanj 4 ure, preden napravo priključite na napajanje. V tem času bo olje odteklo nazaj v kompresor.
- Pred izvajanjem kakršnihkoli operacij na napravi (npr. obrnitev vrat) vedno odklopite vtič iz napajalne vtičnice.
- Zadnji del naprave mora biti postavljen ob zid.

- Naprave ne nameščajte na neposredno sončno svetlobo.
- Naprave ne nameščajte v prostore, ki so prevlažni ali prehladni, npr. vinske kleti.

Električna povezava

- **⚠ OPOZORILO!** Nevarnost požara in električnega udara.
- **⚠ OPOZORILO!** Ob nameščanju naprave poskrbite, da se napajalni kabel se zatakne ali poškoduje.
- **⚠ OPOZORILO!** Ne uporabljajte adapterjev z več vtiči in podaljševalnih kablov.
- Naprava mora biti ozemljena.
- Prepričajte se, da so parametri na napisni ploščici združljivi z električnimi nazivnimi vrednostmi omrežnega napajanja.
- Zmeraj uporabljajte pravilno nameščeno vtičnico, ki je zavarovana pred električnimi udari.
- Poskrbite, da ne poškodujete električnih komponent (npr. vtikača, napajalnega kabla, kompresorja). Če želite zamenjati električne komponente, se obrnite na pooblaščen servisni center ali električarja.
- Napajalni kabel naj bo nižje od vtičnice.

- Vtikač priključite v vtičnico šele ob koncu namestitve. Poskrbite, da bo po namestitvi omogočen dostop do električnega vtiča.
- Ko želite izključiti napravo, nikoli ne vlecite za napajalni kabel. Zmeraj povlecite za vtikač.
- Velja samo za Združeno kraljestvo in Irsko: Ta naprava ima vgrajen 13-A vtič. Če je treba zamenjati varovalko omrežnega vtiča, uporabite samo 13-ampersko varovalko, tipa ASTA (BS 1362).

Uporaba

⚠ OPOZORILO! Nevarnost poškodb, opeklin, električnega udara ali požara.



Cevke vezja hladilnika vsebujejo majhne količine okolju prijaznega, a vnetljivega hladilnega sredstva R600a. Ne škoduje ozonskemu plašču in ne povečuje učinka tople grede. V primeru izpusta hladilnega sredstva lahko poškoduje vaše oči ali se vžge. Pazite, da ne poškodujete cevk.

- Površina kompresorja lahko postane vroča pri normalnem delovanju. Ne dotikajte se je z rokami.
- Ne spreminjajte specifikacije naprave.
- V aparat ne postavljajte nobenih električnih naprav (npr. naprav za izdelavo sladoleda), razen tistih, ki jih je proizvajalec določil za primerne.
- V primeru poškodbe hladilnega kroga se prepričajte, da v prostoru ni plamena in virov vžiga. Prezračite prostor.
- Pazite, da se vroči predmeti ne dotikajo plastičnih delov naprave.
- Ustekleničnih pijač ne hranite v predelu zamrzovalnika, sicer lahko steklenice počijo ali povzročijo drugo škodo.
- V napravi ne shranjujte vnetljivih plinov ali tekočin.
- Ne puščajte vnetljivih ali vlažnih izdelkov z vnetljivo vsebino v bližini naprave ali na napravi.
- Ne dotikajte se kompresorja ali kondenzatorja. Oba sta vroča.
- Ne odstranjujte in ne dotikajte se predmetov iz predela za zamrznjena živila z mokrimi ali vlažnimi rokami.
- Ne zaužijte vsebin (netoksičnih) hladilnih zvitkov.
- Ne zaužijte ledenih kock ali lizik takoj za tem, ko jih vzamete iz zamrzovalnika, saj lahko povzročijo ozeblino.
- Odtaljenih živil ne smete dati nazaj v predel za zamrznjena živila.
- Upoštevajte navodila glede shranjevanja na embalaži živil.

Notranja osvetlitev

⚠ OPOZORILO! Nevarnost električnega udara.

- Žarnica, vgrajena v notranjosti naprave, je zasnovana zlasti za domače aparate in ni primerna za splošno osvetlitev prostorov v vašem domu ((EU) 2019/2020).

Nega in čiščenje

⚠ OPOZORILO! Nevarnost poškodb ali škode na napravi.

- Pred vzdrževanjem deaktivirajte napravo in izvlecite vtikač iz vtičnice.
- Naprava vsebuje v hladilni enoti ogljikovodike. Enoto lahko vzdržujejo in ponovno polnijo samo usposobljene osebe.
- Redno pregledujte odtok naprave in ga po potrebi očistite. Če je odtok zamašen, se bo na dnu naprave nabirala odtaljena voda.

Servis

- Napravo odpeljite na popravilo v enega od pooblaščenih servisnih centrov, navedenih na koncu tega priročnika.
- Uporabljajte samo originalne rezervne dele.

Odlaganje

⚠ OPOZORILO! Nevarnost poškodbe ali zadušitve.

- Izključite napravo iz napajanja.
- Odrežite napajalni kabel in ga odvrzite.
- Odstranite vrata, da otrokom in domačim živalim preprečite, da se zaprejo v notranjost naprave.
- Hladilni krog in izolacijski materiali naprave so ozonu prijazni.
- Izolacijska pena vsebuje vnetljiv plin. Za informacije o pravilnem odlaganju naprave kontaktirajte mestno upravo.
- Ne poškodujte dela hladilne enote, ki je v bližini toplotnega izmenjevalnika.

Proizvajalec zavrača sleherno odgovornost za telesne poškodbe oseb ali živali oz. materialno škodo v primeru neupoštevanja navedenih nasvetov in varnostnih ukrepov.

Namestitev

⚠ OPOZORILO! Pred namestitvijo naprave pazorno preberite varnostne informacije, navedene v tej knjižici.

Kontrolni seznam za namestitev

Vrata

- Vrata v celoti zatesnijo omarico na vseh straneh
- Vrata so poravnana

Poravnana

- Hladilnik je vzravnana

Električna moč

- Počakajte 4 ure
- Električno omrežje je priklopljeno
- Hladilnik je priklučen

Končni pregledi

- Embalaža je odstranjena
- Temperatura hladilnika je nastavljena

Postavitev

- Pri namestitvi te naprave upoštevajte navodila za sestavljanje, ki so bila priložena ločeno.
- Napravo namestite v prostor, kjer se temperatura okolice ujema s klimatskim razredom, navedenim na nazivni ploščici naprave. Tako boste zagotovili pravilno delovanje naprave. V nadaljevanju si lahko ogledate razlogo klimatskih razredov:

Klimatski razred	Območje za temperaturo okolice
SN	+10°C do +32°C
N	+16°C do +32°C
ST	+16°C do +38°C
T	+16°C do +43°C

- Oznaka »SN« označuje, da je naprava za hlajenje namenjena uporabi pri temperaturi okolice od 10 do 32°C.

- Oznaka »N« označuje, da je naprava za hlajenje namenjena uporabi pri temperaturi okolice od 16 do 32°C.

- Oznaka »ST« označuje, da je naprava za hlajenje namenjena uporabi pri temperaturi okolice od 16 do 38°C.

- Oznaka »T« označuje, da je naprava za hlajenje namenjena uporabi pri temperaturi okolice od 16 do 43°C.

- ⓘ Pri nekaterih modelih naprav lahko pride do težav pri delovanju, če naprave delujejo izven navedenih temperaturnih območij. Pravilno delovanje je zagotovljeno samo v določenih temperaturnih območjih.

Če imate dvome glede namestitve, se obrnite na prodajalca, našo službo za pomoč strankam ali na najbližji pooblaščen servisni center.

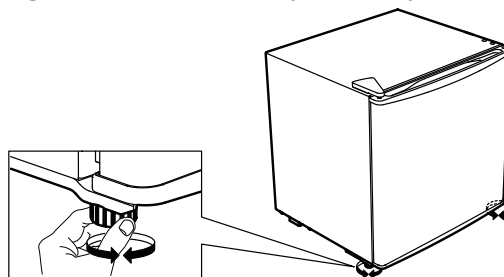
Mesto postavitve

Za najboljše delovanje napravo namestite proč od virov toplote, kot so radiatorji, grelci vode in neposredna sončna svetloba. Prepričajte se, da zrak lahko prosto kroži okoli naprave.

Izravnava naprave

Če se naprava nagiba na eno stran, prilagodite dve nogici na sprednji strani naprave, da jo izravnate. Za podrobnejša navodila glejte ločena navodila za sestavljanje.

1. Odklopite vtičnik naprave iz vtičnice.
2. Nogico zavrtite v smeri urinega kazalca, če želite dvigniti napravo. Nogico zavrtite v nasprotni smeri urinega kazalca, če želite spustiti napravo.



Čiščenje aparata

Pred prvo uporabo očistite aparat, da odstranite običajen vonj po novem izdelku.

1. Zagotovite, da je izklopljeno električno napajanje aparata.
2. Z mehko, vlažno krpo obrišite notranjost.
3. Notranjo opremo obrišite z mlačno vodo in nekaj milnice, nato temeljito posušite.

POZOR!

Ne uporabljajte abrazivnih čistil ali topil ali sredstev z vsebnostjo klora ali kisline.

- Ne uporabljajte ostrih in abrazivnih gob.
- Kovinske površine se lahko poškodujejo.
- Opreme ne čistite v pomivalnem stroju. Lahko se poškoduje.

Električna povezava

⚠ POZOR! Vsa električna dela, potrebna za namestitev naprave, mora izvesti usposobljen električar ali usposobljena oseba.

⚠ OPOZORILO! Naprava mora biti ozemljena. Neupoštevanje teh navodil lahko povzroči smrt, požar ali električni udar.

Proizvajalec zavrača kakršnokoli odgovornost v primeru neupoštevanja teh varnostnih navodil. Naprava je v skladu z direktivami Evropske gospodarske skupnosti (EGS).

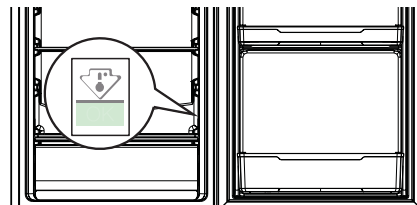
Prva uporaba

Aparat priključite na električno napajanje. Najprimernejše temperature za shranjevanje hrane so že nastavljene tovarniško (srednje vrednosti).

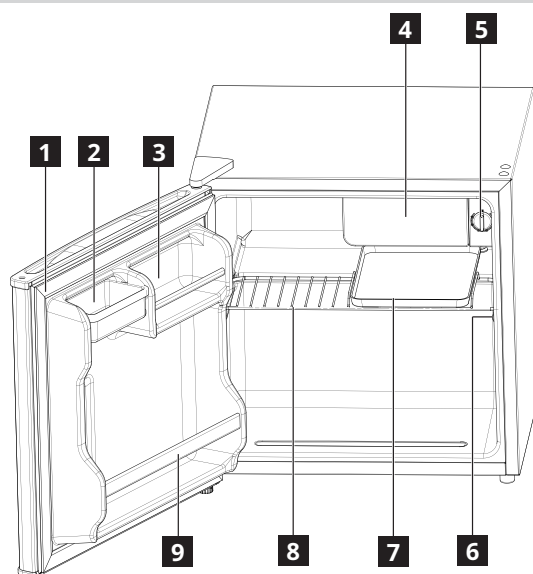
Opomba: Po vklopu naprava potrebuje 4-5 ur, da doseže pravilno temperaturo za shranjevanje običajne količine hrane.

Pomembno!

V skladu s predpisi v nekaterih državah mora biti naprava opremljena s posebno napravo (glejte spodnjo sliko), ki je nameščena v spodnjem hladilnem predelu naprave in označuje njeno najhladnejše območje.



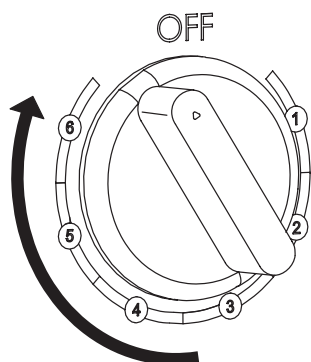
Opis izdelka



- 1** Tesnilo vrat
- 2** Predal za shranjevanje
- 3** Držalo za plastenke
- 4** Predel za hlajenje

- 5** Regulator temperature
- 6** Ploščica za tehnične navedbe
- 7** Pladenj za odtaljevanje
- 8** Polica
- 9** Držalo za steklenice

Delovanje



Vklop

Omrežni vtič priključite v vtičnico in prilagodite temperaturo. Naprava se vklopi in prične delovati.

Prilagoditev temperature

Temperatura se regulira samodejno.

Če želite prilagoditi temperaturo:

- Regulator temperature zasukajte proti spodnji nastavitvi, da zmanjšate hlad.
- Regulator temperature zasukajte proti zgornji nastavitvi, da povečate hlad.

i V večini primerov je srednja nastavitve najbolj primerna.

Pri prilagajanju nastavitve temperature upoštevajte, da je temperatura znotraj naprave odvisna od naslednjega:

- temperatura prostora
- pogostost odpiranja vrat
- količina hrane v hladilniku
- postavitve naprave

Pomembno! Previsoka temperatura okolice in napolnjenost naprave lahko skupaj z najnižjo nastavitvijo temperature v napravi povzročita, da naprava nenehno hladi, kar pa povzroča nabiranje ledu na zadnji strani. V tem primeru morate nastaviti

višjo temperaturo, da omogočite samodejno odtajanje in s tem manjšo porabo energije.

Namigi:

- Nižja, kot je temperatura, dlje lahko varno hranite živila in več elektrike porabi naprava.
- Višja, kot je temperatura, hitreje se pokvarijo shranjena živila in manj elektrike porabi naprava.

Izklop

Če želite izklopiti napravo, zasukajte gumb za regulacijo temperature na položaj »OFF« in nato izključite omrežni vtič iz vtičnice.

Dnevna uporaba

Napotki za shranjevanje svežih živil

- Živilo pokrijte ali ovijte, zlasti če ima močen okus.
- Živila postavite tako, da zrak prosto kroži okoli njih.
- Za najboljšo zmogljivost v hladilnem predelu pustite dovolj prostora za kroženje zraka okrog embalaž. Prav tako pustite dovolj prostora spredaj, da se lahko vrata tesno zaprejo.
- V hladilniku ne shranjujte tople hrane ali tekočine, ki izpareva.
- Kuhana hrana in hladne jedi: pokrijte in postavite na poljubno police.
- Sadje in zelenjava: temeljito očistite in postavite v posebni predal za zelenjavo. Banan, krompirja, čebule in česna ne smete hraniti v hladilniku, če niso pakirani.
- Maslo in sir: postavite v posebno nepredušno posodo oz. ovijte v aluminijasto folijo ali polietilensko vrečko, da odstranite čim več zraka.
- Plastenke: zaprite pokrovčke in postavite v vratne police.

Nasveti za varčevanje energije

- Aparat postavite v suh, dobro prezračen prostor in čim dlje od morebitnega toplotnega vira (npr. radiatorja, štedilnika itd.). Prav tako pazite, da aparat ni neposredno izpostavljen sončnim žarkom. Po potrebi uporabite izolacijsko ploščo.

- Upoštevajte navodila za zagotovitev ustreznega zračenja.
- Neustrezno zračenje na hrbtni strani aparata povečuje porabo energije in zmanjšuje učinkovitost hlajenja.
- Na notranje temperature aparata lahko vplivajo temperatura prostora, pogostost odpiranje vrat ter tudi mesto postavitve aparata. Pri nastavitvi temperature upoštevajte te dejavnike.
- Počakajte, da se topla živila in pijača ohladijo, preden jih odložite v aparat.
- Ventilatorja (če je na voljo) ne zakrivajte z živili.
- Ko postavite ali odstranite hrano, zagotovite, da so vrata ustrezno zaprta (to zlasti velja za vrata zamrzovalnika).
- Vrata odprite čim manjkrat.
- Pri taljenju zmrznjenih živil jih postavite v hladilnik. Nizka temperatura zmrznjenih izdelkov ohlajuje preostala živila v hladilniku.
- Položaji polic v hladilniku ne vplivajo na učinkovitost porabe energije. Živila odložite na police na način, ki zagotavlja ustrezno kroženje zraka (živila se ne smejo dotikati drugih živil in zagotovite odmik živil od zadnje stene).
- Poškodovana tesnila je treba čim prej zamenjati.

Čiščenje in vzdrževanje

Splošni napotki

- Redno čistite napravo s krpo in mešanico tople vode in nevtralnega detergenta, ki smo jo posebej razvili za notranjosti hladilnikov. Ne uporabljajte abrazivnih čistil ali orodij.
- Pred servisiranjem ali čiščenjem aparat odklopite iz omrežja ali prekinite električno napajanje.

POZOR! Pripomočki hladilnika niso primerni za pranje v pomivalnem stroju.

Odtajevanje naprave

- Odtajajte napravo, če je plast zmrzali na uparjevalniku debela 3 do 4 mm.
- Pred odtajevanjem odstranite vso hrano in izklopite napravo. Pladenj za odtajevanje postavite pod uparjevalnik za zbiranje odtaljene vode.
- Ko se je zmrzal odtalila, zlijte staljeno vodo, posušite notranjost naprave s suho krpo in znova vklopite napravo.

Če naprave ne uporabljate dlje časa

1. Izklopite napravo.
2. Izključite napravo iz napajanja.
3. Odstranite vso hrano.
4. Napravo odtajajte in jo očistite.

5. Vsa vrata pustite odprta vsaj toliko, da omogočite zraku prehod v vse predele. Tako boste preprečili nastajanje plesni in neprijetnih vonjav.

V primeru prekinitve električnega toka

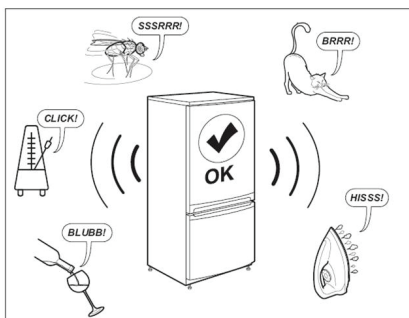
- Vrata aparata naj bodo zaprta. Tako bodo vsa živila lahko čim dlje ostala hladna.

Odpravljanje napak

Težava	Možen vzrok	Rešitev
Naprava ne deluje.	Naprava je izključena.	Vključite napravo.
	Vtikač ni pravilno priključen v vtičnico.	Pravilno priključite vtikač v vtičnico.
	V vtičnici ni napetosti.	Če želite preveriti, ali deluje omrežna vtičnica, nanjo priključite električno napravo. Obrnite se na usposobljenega električarja, naj vam popravi vtičnico.
Naprava je glasna.	Naprava ni postavljena stabilno.	Izravnajte napravo. Glejte »Izravnava naprave« ali ločena navodila za sestavljanje.
Kompresor deluje neprekinjeno.	Nastavljena temperatura je prenizka.	Nastavite višjo temperaturo. Glejte poglavje »Delovanje«.
	Naenkrat je bilo vstavljenih več živil.	Počakajte nekaj ur in nato ponovno preverite temperaturo.
	Temperatura prostora je previsoka.	Če je mogoče, prestavite napravo. Glejte poglavje »Pozicioniranje«.
	Živilski izdelki, ki so bili postavljeni v hladilniki, so bili pretopli.	Počakajte, da se živilski izdelki ohladijo na sobno temperaturo, preden jih shranite v hladilnik.
	Vrata niso pravilno zaprta.	Glejte "Zapiranje vrat".
Temperatura v napravi je prenizka/previsoka.	Temperatura ni pravilno nastavljena.	Nastavite višjo/nizjo temperaturo.
	Vrata niso pravilno zaprta.	Glejte "Zapiranje vrat".
	Živilski izdelki, ki so bili postavljeni v hladilniki, so bili pretopli.	Počakajte, da se živilski izdelki ohladijo na sobno temperaturo, preden jih shranite v hladilnik.
	Naenkrat je bilo vstavljenih več živil.	Vstavite manj živil naenkrat.
	Debelina ledu je več kot 4–5 mm.	Odtalite napravo.
	Vrata so bila prepogosto odprta.	Odprite vrata samo, ko je to potrebno.
	V napravi ni zagotovljenega ustreznega kroženja mrzlega zraka.	Živila postavite tako, da lahko zrak prosto kroži v napravi.
Vrata se ne zaprejo do konca.	Glejte "Zapiranje vrat".	Glejte "Zapiranje vrat".

Običajen hrup

Povsem običajno je, da hladilni sistem med delovanjem proizvaja določene zvoke, kot sta klokotanje in šumenje.



Zapiranje vrat

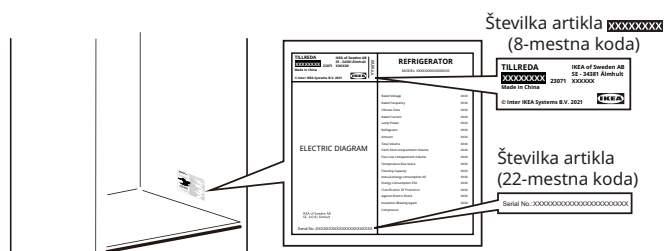
Če	Izvedite
So tesnila vrat umazana.	Očistite jih.
So tesnila vrat poškodovana.	Obrnite se na poprodajno storitev, naj jih zamenja.
Vrata blokirajo police, predali, živila itd.	Pravilno postavite ali odstranite predmete, ki blokirajo vrata.
Naprava ni izravnana.	Izravnajte napravo. Glejte »Izravnava naprave« ali ločena navodila za sestavljanje.
Vrata niso poravnana z omaro.	Prilagodite vrata. Glejte ločena navodila za sestavljanje.

Preden se obrnete na poprodajno službo:

Znova zaženite aparat, da preverite, ali ste težavo morda odpravili. Če se težava še vedno ponavlja, znova izklopite aparat in ponovite postopek čez eno uro. Če ste izvedli preglede, navedene v vodniku za odpravljanje težav, in ponovno vklopili aparat, a ta še vedno ne deluje pravilno, se obrnite na službo za poprodajne storitve, nazorno opišite težavo in navedite:

- vrsto težave,
- datum nakupa,
- model in serijsko številko naprave.

❶ Številka artikla in serijska številka se nahajata na nazivni ploščici na notranji desni strani naprave.



Slika je zgolj informativna


Tehnični podatki

Kategorija izdelka	
Vrsta izdelka	Hladilnik
Vrsta namestitve	Prostostoječ
Dimenzije izdelka	
Višina	492 mm
Širina	472 mm
Globina	450 mm
Neto prostornina	
Hladilnik	43,0 l
Sistem odtajanja	
Hladilnik	Priročnik
Druge specifikacije	
Klasifikacija z zvezdico	–
Čas dvigovanja temperature	–
Poraba energije	80 kWh/leto
Raven hrupa	41 dB(A)
Energijski razred	E
Nazivna napetost	220–240 V~
Nazivna frekvenca	50 Hz
Svetlobni vir za razred energetske učinkovitosti	–

Opomba: Do informacij o izdelku v zbirki izdelkov lahko dostopate tako, da optično preberete kodo QR na nalepki EPREL.

Okoljevarstveni zadržki


1. Embalaža 

Reciklrni materiali so označeni s simbolom . Embalažo odložite v primerne zabojnike za recikliranje.

Pakirni material (plastične vreče, deli iz polistirena itd.) hranite izven dosega otrok, saj se obstaja morebitna nevarnost.

2. Odstranjevanje

Aparat je izdelan iz reciklirnega materiala. Ta aparat ima oznako skladnosti z Direktivo EU 2002/96/ES o Odpadni električni in elektronski opremi (WEEE). Poskrbite za pravilno odstranjevanje tega aparata, da preprečite morebitne negativne posledice na okolje in zdravje ljudi.

Simbol  na aparatu ali priloženih dokumentih

ponazarja, da tega aparata ni dovoljeno odstraniti med gospodinjske odpadke, temveč ga je treba odpeljati na posebno zbirno mesto za recikliranje električnih in elektronskih komponent. Pri odstranjevanju aparata zagotovite, da je ta nedelujoč (odstranili ste napajalni kabel in vrata ter police, da otroci ne morejo splezati v notranjost aparata in se zatakiniti).

Aparat odstranite v skladu z lokalnimi predpisi glede odstranjevanja odpadkov. Odpeljite ga na posebno zbirno mesto; aparata ne pustite nenadzorovanega, čeprav gre zgolj za nekaj dni, saj predstavlja morebitno nevarnost za otroke.

Če želite izvedeti več informacij o obdelavi, obnavljanju in recikliranju tega proizvoda, se obrnite na ustrezno lokalno službo, podjetje za zbiranje komunalnih odpadkov ali na trgovino, v kateri ste aparat kupili.

Izjava o skladnosti

- Ta aparat je zasnovan za shranjevanje hrane in je izdelan v skladu z Uredbo (ES) št. 1935/2004.



- Ta aparat je zasnovan, izdelan in prodan v skladu z:
 - varnostnimi cilji Direktive »o nizki napetosti« 2014/35/EU (ki nadomešča 2006/95/CE nadaljnje dopolnitve);

- zahtevami za zaščito Direktive »o elektromagnetni združljivosti« 2014/30/EU.
- Ta aparat je zasnovan, izdelan in prodan v skladu z:
 - Predpisi o elektromagnetni združljivosti 2016
 - (Varnostni) predpisi o električni opremi 2016

**IKEA Garancija****Kako dolgo velja garancija IKEA?**

Garancija velja **2 leti** od datuma nakupa, razen če državna zakonodaja ne opredeljuje drugače. Na Norveškem, Portugalskem in v Španiji garancija velja 3 leta od datuma nakupa stranke, razen če državna zakonodaja ne opredeljuje drugače. Originalen račun je zahtevan kot dokaz o nakupu. Če bo servis opravljen pod garancijo, to ne bo podaljšalo garancijske dobe aparata.

Kdo bo servisiral aparat?

Servis bo zagotovil serviser IKEA preko lastnih servisnih dejavnosti ali mreže pooblaščenih servisnih partnerjev.

Kaj ta garancija pokriva?

Garancija pokriva napake aparata, ki so posledica napake pri izdelavi ali v materialih, od datuma nakupa v IKEA. Garancija velja izključno za domačo uporabo. Izjeme so navedene v poglavju "Česa ta garancija ne pokriva?" V času garancije so pokriti stroški odstranitve napake, npr. popravila, rezervni deli, delo in poti, upoštevajoč, da je naprava na voljo za popravilo brez posebnih izdatkov. Pod temi pogoji veljajo smernice EU (št. 99/44/ES) in ustrezni lokalni predpisi. Zamenjani deli postanejo last podjetja IKEA.

Kaj bo IKEA storila za odpravo težave?

Serviser, ki ga določi IKEA, bo pregledal proizvod in se po lastni presoji odločil, ali težavo krije garancija. Če se smatra, da jo krije garancija, potem bo serviser IKEA ali njegov pooblaščen servisni partner prek lastnih servisnih dejavnosti po lastni presoji okvarjeni proizvod bodisi popravil ali ga zamenjal z enakim ali primerljivim proizvodom.

Česa ta garancija ne pokriva?

- Normalne obrabe.
- Namenske ali malomarne škode, škode, povzročene zaradi neupoštevanja navodil za uporabo, nepravilne namestitve ali povezave na nepravilno napetost, škode, povzročene zaradi kemične ali elektrokemične reakcije, rje, korozije, ali škode zaradi vode, vključno z, a ne omejeno na škodo, povzročeno zaradi prevelike količine vodnega kamna v vodi, in škode, nastale zaradi abnormalnih razmer delovanja.

- Potrošnih delov, vključno z baterijami in žarnicami.
- Nefunkcionalnih in dekorativnih delov, ki ne vplivajo na normalno rabo aparata, vključno s praskami in možnimi spremembami barv.
- Naključne škode, povzročene s tujimi predmeti ali snovmi ali čiščenjem oziroma čiščenjem filtrov, sistemov za odvajanje ali predalov z mili.
- Škode na naslednjih delih: keramičnem steklu, dodatkih, lončenini in košaricam za pribor, ceveh za dovajanje in odvajanje, tesnilih, lučeh in pokrovih za luči, zaslonih, gumbih, ohišjih in delih ohišij. Razen če se dokaže, da je bila ta škoda povzročena zaradi napak v proizvodnji.
- Primerov, pri katerih tehnik ob obisku ne odkrije nobene napake.
- Popravlil, ki jih ne izvedejo serviserji, ki jih določimo mi, in/ali pooblaščen servisni pogodbeni partner, ali če so bili uporabljeni neoriginalni deli.
- Popravlil, ki so potrebna zaradi nepravilne namestitve, ki ne upošteva specifikacij.
- Uporabe aparata v nedomačem okolju, npr. profesionalna uporaba.
- Škode pri prevozu. Če stranka prevaža izdelek domov ali na drug naslov, IKEA ne odgovarja za škodo, ki bi lahko pri tem nastala. Kakorkoli, če proizvod na naslov kupca dostavi IKEA, potem škodo, ki bi lahko pri tem nastala, pokriva IKEA.
- Stroška za izvedbo prve namestitve aparata podjetja IKEA. Kakorkoli, če pod pogoji garancije aparat popravi serviser, ki ga napoti IKEA, ali pooblaščen servisni partner, potem bo popravljen aparat, če je to potrebno, tudi on ponovno namestil.

Ta omejitev ne velja za delo brez napak, ki ga izvede usposobljen strokovnjak z uporabo naših originalnih delov, da bi prilagodil aparat specifikacijam za tehnično varnost v drugi državi EU.

Veljava državne zakonodaje

Garancija IKEA zagotavlja posebne pravice, ki pokrivajo ali presegajo vse lokalne pravne zahteve. Vendar pa ti pogoji v nobenem smislu ne omejujejo potrošnikovih pravic, opisanih v lokalni zakonodaji.

Območje veljavnosti

Za aparata, kupljene v eni izmed držav EU in prepeljane v drugo državo EU, bodo storitve zagotovljene v okviru garancijskih pogojev, značilnih za novo državo.

Dolžnost zagotoviti storitve v okviru garancije obstaja le, če aparat ustreza in je nameščena v skladu z/s:

- Tehničnimi specifikacijami držav, v kateri je vložen garancijski zahtevek;
- Navodili za sestavljanje in varnostnimi navodili priročnika za uporabo.

Namenske POPRODAJNE STORITVE za aparate IKEA

Na službo za poprodajne storitve IKEA se obrnite:

- če želite vložiti zahtevek za servis pod to garancijo;
- če želite pojasnilo glede namestitve aparata IKEA v namenskem kuhinjskem pohištvu IKEA;
- želite pojasnitev funkcij aparatov IKEA.

Da vam lahko ponudimo najboljšo pomoč, prosimo, pozorno preberite Navodila za sestavljanje in/ali Priročnik za uporabo, preden nas kontaktirate.

Kako nas kontaktirati, če potrebujete naše storitve



Telefonske številke za dodeljene ponudnike poprodajnih storitev IKEA najdete na koncu tega priročnika.

- i** Da bi vam lahko zagotovili hitrejšo storitev, priporočamo, da uporabite specifične telefonske številke, navedene na koncu tega priročnika. Vedno uporabite telefonske številke, navedene v uporabniškem priročniku za določeno napravo, za katero potrebujete pomoč. Ne pozabite navesti 8-mestne številke izdelka in 22-mestne serijske številke, prikazane na nazivni plošči vaše naprave.

i SHRANITE RAČUN!

To je dokaz o nakupu in pogoj za uveljavitev garancije. Na računu je tudi ime in številka artikla IKEA (8 števk) za vsak izdelek, ki ste ga kupili.

Potrebujete dodatno pomoč?

Za vsa dodatna vprašanja, ki niso povezana s storitvijo Po nakupu, prosimo, kontaktirajte telefonski center najbližje prodajalne IKEA. Priporočamo, da preden nas kontaktirate, pozorno preberete vso dokumentacijo aparata.

Informacije o rezervnih delih

- Naslednji rezervni deli: termostati, temperaturni senzorji, tiskana vezja in svetlobni viri, bodo na voljo profesionalnim serviserjem najmanj sedem let, potem ko je zadnja enota modela dana na trg.
- Naslednji rezervni deli: vratne kljuge, tečaji vrat, pladnji in košare bodo na voljo profesionalnim serviserjem in končnim uporabnikom najmanj sedem let, tesnila vrat pa najmanj 10 let, po namestitvi zadnje enote modela na trg.

Nadomestni deli so na voljo na spletnem mestu:

www.ikea.com

İçindekiler

Güvenlik Bilgileri	271	Günlük kullanım	276
Güvenlik talimatları	272	Temizlik ve bakım	276
Kurulum	274	Sorun Giderme	277
İlk Kullanım	275	Teknik Bilgiler	279
Ürün açıklaması	275	Çevre ile ilgili konular	279
Çalışma	275	IKEA Garantisi	280

Güvenlik Bilgileri

Cihazın kurulumunu yapmadan ve kullanmadan önce, lütfen cihazla birlikte gelen talimatları dikkatlice okuyun. Hatalı kurulum ve kullanımdan kaynaklanan yaralanmalardan veya hasarlardan üretici sorumlu değildir. İleride başvurabilmek amacıyla bu talimatları mutlaka saklayın.

Çocukların ve korunmaya muhtaç kişilerin güvenliği



UYARI: Yangın riski/Yanıcı malzemeler

- Bu cihaz, gözetim altında oldukları veya cihazın güvenli kullanımı konusunda gerekli talimatların verildiği ve meydana gelebilecek tehlikeleri anladıkları sürece, 8 yaşından büyük çocuklarca ve fiziksel, duyuşsal veya zihinsel yetenekleri sınırlı veya tecrübe ve bilgi eksikliği olan kişiler tarafından kullanılabilir. Çocuklar cihazla oynamamalıdır. Temizlik ve bakım işlemleri gözetim altında olmayan çocuklar tarafından yapılmamalıdır. Çocuklar, cihazla oynamadıklarından emin olmak için gözetim altında tutulmalıdır.
- Bu cihaz, uygun şekilde bilgilendirildikleri takdirde, 3 ile 8 yaş arasındaki çocuklar ve çok kapsamlı ve kompleks engelleri olan kişiler tarafından kullanılabilir.
- 3 yaşından küçük çocuklar, sürekli gözetim altında olmadıkları sürece uzak tutulmalıdır.
- Çocukların cihazla oynamalarına izin vermeyin.

- Çocuklar, gözetimsiz olarak cihazın temizlik ve kullanıcı tarafından yapılacak bakım işlerini gerçekleştirmemelidir.
- 3 ile 8 yaş arasındaki çocukların, soğutucu cihazların doldurulmasına ve boşaltılmasına izin verilir.
- Tüm ambalaj malzemelerini çocuklardan uzak tutun ve uygun şekilde atın.

Genel Emniyet Talimatları

- Bu cihaz, evde ve aşağıdakilere benzer uygulamalarda kullanılmak üzere tasarlanmıştır:
 - mağazalarda, ofislerde ve diğer çalışma ortamlarında bulunan personel mutfak alanları;
 - çiftlik evleri ve otel, motel ve diğer mesken türlerindeki müşteriler tarafından;
 - oda ve kahvaltı hizmeti sunan ortamlar;
 - yemek hizmeti veren firmalar ve benzeri ticari olmayan uygulamalar.
- **UYARI:** Cihazın gövdesinde veya yerleşik yapısında bulunan havalandırma deliklerini kapatmayın.
- **UYARI:** Üretici tarafından tavsiye edilenler haricinde, buz çözme işlemini hızlandırmak için mekanik aletler veya benzeri araçlar kullanmayın.
- **UYARI:** Soğutma devresine zarar vermeyin.
- **UYARI:** Üretici tarafından tavsiye edilmesi haricinde, cihazın gıda saklama alanlarının içerisinde elektrikli cihazlar kullanmayın.
- **UYARI:** Cihazı temizlemek için su püskürtmeyin veya buhar kullanmayın.

- **UYARI:** Cihazı nemli yumuşak bir bezle temizleyin. Sadece doğal deterjanlar kullanın. Aşındırıcı ürünler, aşındırıcı temizlik bezleri, çözücüler veya metal objeler kullanmayın.
- **UYARI:** Bu cihazı, yanıcı iticiler bulunan spreycutuları gibi patlayıcı maddeleri saklamak için kullanmayın.
- **UYARI:** Eğer besleme kablosu hasar görmüşse, herhangi bir tehlikenin meydana gelmesini önlemek için üretici ya da Yetkili Servis Merkezi veya benzeri nitelikli kişilerce değiştirilmelidir.
- **UYARI:** Cihazı yerleştirirken, elektrik kablosunun sıkışmamasına veya hasar görmemesine dikkat edin.
- **UYARI:** Cihazın arkasına çok fişli uzatma kablosu veya taşınabilir güç kaynağı yerleştirmeyin.
- Kapının uzun süre açık kalması, cihazın bölmelerindeki sıcaklığın önemli ölçüde artmasına neden olabilir.
- Gıdalla temas edebilecek yüzeyleri ve erişilebilir boşaltma sistemlerini düzenli olarak temizleyin.
- 48 saat kullanılmamışlarsa su tanklarını temizleyin; 5 gün boyunca su çekilmemişse su kaynağına bağlı su sistemini yıkayın.
- Çiğ et ve balığı buzdolabında uygun kaplarda saklayın, böylece diğer gıdalarla temas etmeyecek veya üzerlerine damlamayacaktır.
- Soğutucu cihaz uzun süre boş bırakılacaksa içerisinde küf oluşumunu önlemek için cihazı kapatın, buzunu çözdürün, temizleyin, kurulayın ve kapıyı açık bırakın.
- Bu soğutucu cihazı, gıda maddelerinin dondurulması için uygun değildir.
- Bu soğutucu cihaz, ankastre bir cihaz olarak kullanılmak üzere tasarlanmamıştır.
- İki yıldızlı dondurulmuş gıda bölmeleri, önceden dondurulmuş gıdaları saklamak, dondurma saklamak veya yapmak ve buz küpleri yapmak için uygundur.
- Bir, iki ve üç yıldızlı bölmeler, taze gıdaların dondurulması için uygun değildir.
- **UYARI:** Cihazın dengesiz olmasından kaynaklı bir tehlikeyi önlemek için cihaz talimatlara uygun olarak sabitlenmelidir.

Güvenlik talimatları

Kurulum

- **UYARI!** Bu cihazı yalnızca uzman bir kişi kurabilir.
- Cihazın tüm ambalajını çıkartın.
- Hasarlı bir cihazın kurulumunu yapmayın veya böyle bir cihazı kullanmayın.
- Cihazla birlikte verilen kurulum talimatlarını takip edin.
- Ağır olduğundan cihazı taşıırken daima dikkatli olun. Daima koruyucu eldiven ve kapalı ayakkabılar giyin.
- Cihazı taşıırken zemine (ör. parke) zarar vermemeye dikkat edin.
- Cihazın ısı kaynağı yanında olmadığından emin olun.
- Cihazı ağırlığını kaldırabilecek kadar sağlam bir zemin üstüne ve boyutuna ve kullanımına uygun bir yere kurun ve düz tutun.
- Cihazın etrafında havanın rahatça dolaşabildiğinden emin olun.
- İlk kurulumda veya kapı yönü değiştirildikten sonra cihazı elektrik kaynağına bağlamadan önce en az 4 saat bekleyin. Böylelikle yağın tekrar kompresöre dolmasına imkan sağlanmış olur.

- Cihaz üzerinde herhangi bir işlem gerçekleştirmeden önce (ör. Kapının yönünün değiştirilmesi) fişini prizden çekin.
- Cihazın arka tarafı mutlaka duvara karşı olmalıdır.
- Cihazı doğrudan güneş ışığının geldiği yerlere kurmayın.
- Cihazı şarap mahzenleri gibi aşırı nemli veya aşırı soğuk yerlere kurmayın.

Elektrik bağlantısı

- **UYARI!** Yangın ve elektrik çarpması riski.
- **UYARI!** Cihazı yerleştirirken, elektrik kablosunun sıkışmamasına veya hasar görmemesine dikkat edin.
- **UYARI!** Çoklu priz veya uzatma kablosu kullanmayın.
- Cihaz topraklanmalıdır.
- Anma değerleri plakasındaki parametrelerin, şebeke güç kaynağının elektrik değerleri ile uyumlu olduğundan emin olun.
- Her zaman doğru şekilde montajı yapılmış, darbeye dayanıklı priz kullanın.

- Elektrik bileşenlerine (örneğin ana fiş, güç kablosu, kompresör gibi) hasar vermediğinizden emin olun. Elektrik bileşenlerini değiştirmek için Yetkili Servis Merkezi veya bir elektrik teknisyenine başvurun.
- Güç kablosu priz seviyesinin altında durmalıdır.
- Cihazın fişini kurulum bitmeden prize takmayın. Kurulum sonrası cihazın fişinin prize erişebildiğinden emin olun.
- Cihazı prizden çıkarırken kablosundan tutarak çekmeyin. Her zaman fişten tutarak çekin.
- Yalnızca İngiltere ve İrlanda:
Bu cihazda 13 A bir elektrik fişi bulunmaktadır. Elektrik fişinin sigortasının değişmesi gerekiyorsa sadece bir 13 A ASTA (BS 1362) sigorta kullanın.

Kullanım

⚠ UYARI! Yaralanma, yanma, elektrik çarpması ve yangın riski.



Soğutma devresindeki tüplerde az miktarda R600a adında çevre dostu ancak yanıcı bir soğutucu akışkan bulunmaktadır. Ozon tabakasına zarar vermez ve sera gazı etkisini arttırmaz.

Bu soğutucu akışkan dışarı kaçırsa gözleriniz yaralanabilir ya da bu madde tutuşabilir. Tüplere zarar vermeyin.

- Kompresörün yüzeyi normal çalışma sırasında ısınabilir. Elinizle dokunmayın.
- Bu cihazın teknik özelliklerini değiştirmeyin.
- Üretici tarafından uygun görüldüğü durumlar haricinde cihazın içerisine elektrikli cihazlar (ör. dondurma makinesi) koymayın.
- Eğer soğutma devresinde bir hasar meydana gelirse odada alev ya da herhangi bir kıvılcım kaynağı olmadığından emin olun. Odayı havalandırın.
- Cihazın plastik parçalarının sıcak objelerle temas etmesinden kaçının.
- Patlama ya da diğer kayıpları önlemek için şişedeki içecekleri dondurucu bölmesinde tutmayın.
- Cihazın içerisine yanıcı gaz veya sıvı koymayın.
- Cihazın yakınlarına veya üzerine yanıcı ürünler veya yanıcı ürünler bulaşmış objeler koymayın.
- Kompresöre veya yoğunlaştırıcıya dokunmayın. Bu parçalar sıcaktır.
- Ellerinizi ıslak veya nemliyse, dondurulmuş gıda bölmesindeki yiyecekleri çıkarmayın veya dokunmayın.
- Buz torbalarının içindeki maddeleri (toksik değildir) yutmayın.
- Soğuk yanıklarına neden olabileceği için buz küplerini veya meyveli çubuk dondurmaları dondurucudan çıkar çıkmaz yemeyin.
- Çözülmüş yiyecekler dondurulmuş yiyecek bölmesine geri konulmamalıdır.
- Gıda ürünlerinin ambalajında bulunan saklama talimatlarına uyun.

İç aydınlatma

⚠ UYARI! Elektrik çarpması riski.

- Cihazın içinde kullanılan ampul, ev aletlerine özel olarak tasarlanmış olup ev içerisinde genel oda aydınlatması için uygun değildir ((AB) 2019/2020).

Bakım ve temizlik

⚠ UYARI! Yaralanma ya da cihazın hasar görme riski.

- Bakım öncesi, cihazı devre dışı bırakın ve fişini prizden çekin.
- Bu cihaz, soğutma ünitesinde hidrokarbonlar ihtiva eder. Ünitenin bakım ve yeniden doldurma işlemlerini sadece uzman bir kişi gerçekleştirebilir.
- Cihazın tahliyesini düzenli olarak kontrol edin ve gerekiyorsa temizleyin. Eğer tahliyesi tıkanmışsa cihazın alt tarafında erimiş su toplanır.

Servis

- Cihazın onarım işlemleri için bu kılavuzun sonunda listelenen bir Yetkili Servis Merkeziyle iletişime geçin.
- Sadece orijinal yedek parçalar kullanın.

Bertaraf etme

⚠ UYARI! Yaralanma veya boğulma tehlikesi.

- Cihazı prizden çekin.
- Elektrik kablosunu kesin ve hurdaya çıkarın.
- Çocukların ve evcil hayvanların cihazın içerisinden kapalı kalmalarını önlemek için kapıları çıkartın.
- Bu cihazın soğutma devresi ve yalıtım malzemeleri ozon dostudur.
- İzolasyon köpüğü yanıcı gaz içerir. Cihazın nasıl doğru şekilde bertaraf edilmesi gerektiği konusunda bilgi almak için belediyenize başvurun.
- Eşanjörün yanındaki soğutma ünitesinin parçalarına zarar gelmesini önleyin.

Üretici, yukarıdaki tavsiye ve önlemlere uyulmadığında insan ya da hayvanların başına gelen yaralanmalar ya da mallara gelen hasarlarla ilgili hiçbir sorumluluğu kabul etmez.

Kurulum

⚠ UYARI! Cihazı kurmadan önce bu kitapçıkta yer alan güvenlik bilgilerini dikkatlice okuyun.

Montaj kontrol listesi

Kapı

Kapı, dolap üzerinde her taraftan tamamen sızdırmazlık sağlıyor

Kapı hizalı

Hizalama

Buzdolabı düz

Elektrik gücü

4 saat bekleyin

Evin elektriği açık

Buzdolabının fişi takılı

Son kontroller

Nakliye malzemeleri çıkarılmış

Buzdolabı sıcaklık ayarı yapıldı

Yerleştirme

- Bu cihazı kurmak için ayrı Montaj Talimatlarını takip edin.
- Bu cihazı, ortam sıcaklığının anma değerleri plakasında belirtilen iklim sınıfına uygun olduğu bir iç mekana kurun. Bu sayede cihaz düzgün çalışır. İklim sınıflarının açıklaması aşağıdaki gibidir:

İklim sınıfı	Ortam sıcaklığı aralığı
SN	+10 °C ila +32 °C
N	+16 °C ila +32 °C
ST	+16 °C ila +38 °C
T	+16 °C ila +43 °C

- "SN" harfleri bu soğutucu cihazın, 10 °C ile 32 °C arasındaki ortam sıcaklıklarında kullanılmak üzere tasarlandığını belirtir.

- "N" harfi bu soğutucu cihazın, 16 °C ile 32 °C arasındaki ortam sıcaklıklarında kullanılmak üzere tasarlandığını belirtir.

- "ST" harfleri bu soğutucu cihazın, 16 °C ile 38 °C arasındaki ortam sıcaklıklarında kullanılmak üzere tasarlandığını belirtir.

- "T" harfi bu soğutucu cihazın, 16 °C ile 43 °C arasındaki ortam sıcaklıklarında kullanılmak üzere tasarlandığını belirtir.

- ⓘ Bazı cihaz modellerinde, belirtilen sıcaklık aralığı dışında çalıştıklarında bazı işlev sorunları ortaya çıkabilir. Cihazın düzgün çalışabilmesi, sadece belirtilen sıcaklık aralıklarında garanti edilebilir. Kurulumla ilgili herhangi bir şüpheniz varsa lütfen satıcıya, müşteri hizmetlerimize veya en yakın Yetkili Servis Merkezine başvurun.

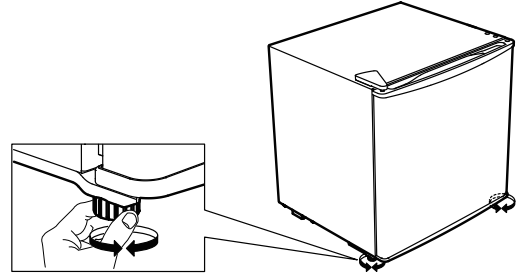
Konum

En iyi şekilde çalışabilmesi için cihazı radyatör, kazan ve doğrudan güneş ışığı gibi ısı kaynaklarından uzağa yerleştirin. Kabinin arkasında havanın rahatça dolaşabildiğinden emin olun.

Cihazın düzleştirilmesi

Cihaz belli bir seviyede eğik duruyorsa düzeltmek için cihazın önündeki iki ayağı ayarlayın. Ayrıntılı talimatlar için ayrı Montaj Talimatlarına bakın.

1. Cihazın fişini elektrik prizinden çekin.
2. Cihazı kaldırmak için ayağı saat yönünde çevirin. Cihazı indirmek için ayağı saat yönünün tersine çevirin.



Cihazın temizlenmesi

Cihazı ilk defa kullanmadan önce, yeni ürünlerde görünen kokuyu gidermek için cihazı temizleyin.

1. Cihazın fişinin prizden çekildiğinden emin olun.
2. İç kısmı yumuşak ve nemli bir bezle silin.
3. İç aksesuarları ılık su ve biraz nötr sabunla yıkayın, ardından iyice kurutun.

DİKKAT!

Aşındırıcı, klorlu veya asidik temizlik maddeleri veya solventler kullanmayın.

- Kazıyıcı veya aşındırıcı süngerler kullanmayın. Metalik yüzeyler aşınabilir.
- Aksesuarları kesinlikle bulaşık makinesinde yıkamayın. Deforme olabilirler.

Elektrik bağlantısı

⚠ DİKKAT! Bu cihazın kurulumu için gereken tüm elektrik işleri, uzman bir elektrik teknisyeni veya yetkili bir kişi tarafından yapılmalıdır.

⚠ UYARI! Bu cihaz topraklanmalıdır. Bu talimatlara uyulmaması yangına, elektrik çarpmasına ve ölüme sebebiyet verebilir. Bu güvenlik önlemlerine uyulmaması durumunda üretici hiçbir sorumluluk kabul etmez. Bu cihaz AET direktifleriyle uyumludur.

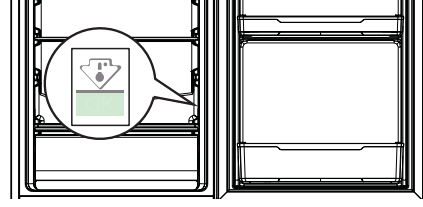
İlk Kullanım

Cihazın fişini elektrik prizine takın. İdeal yiyecek saklama sıcaklıkları önceden fabrikada ayarlanmıştır (orta).

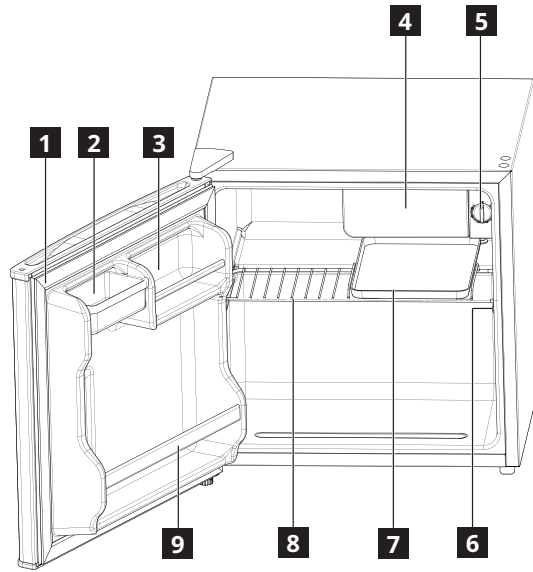
Not: Açıldıktan sonra cihazın standart hacimde bir yiyeceği saklamak için doğru sıcaklığa erişmesi 4-5 saat sürer.

Önemli!

Bazı ülkelerdeki düzenlemeler uyarınca cihazın en soğuk bölgesini belirtmek için cihazın alt dondurucu bölmesine yerleştirilmiş özel bir tertibat (aşağıdaki şekle bakın) sağlanmalıdır.



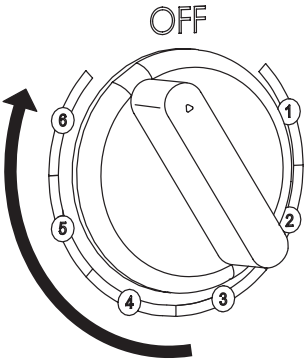
Ürün açıklaması



- 1 Kapı lastiği
- 2 Saklama kutusu
- 3 Teneke kutu tutucu
- 4 Dondurma bölümü

- 5 Sıcaklık regülatörü
- 6 Anma değerleri plakası
- 7 Buz çözme tepsi
- 8 Raf
- 9 Şişe tutucu

Çalışma



Çalıştırma

Elektrik fişini prize takın ve sıcaklığı ayarlayın. Cihaz açılır ve çalışmaya başlar.

Sıcaklığın ayarlanması

Sıcaklık otomatik olarak ayarlanır.

Sıcaklığı ayarlamak için:

- Soğukluğu azaltmak için sıcaklık regülatörünü çevirerek daha düşük bir ayara getirin.
- Soğukluğu artırmak için sıcaklık regülatörünü çevirerek daha yüksek bir ayara getirin.

ⓘ Genellikle en uygunu orta bir ayardır.

Sıcaklık değerini, cihazın içerisindeki sıcaklığın şu unsurlara bağlı olduğunu aklınızda bulundurarak ayarlayın:

- oda sıcaklığı
- kapının ne sıklıkla açıldığı
- içerisinde saklanan yiyecek miktarı
- cihazın bulunduğu yer

Önemli! Eğer ortam sıcaklığı yüksekse veya cihaz tamamen doluyorsa ve cihaz en düşük sıcaklığa ayarlanmışsa cihaz, arka duvarda buz oluşmasına neden olacak şekilde sürekli çalışacaktır. Bu durumda otomatik buz çözmenin sağlanması ve böylelikle düşük enerji tüketimi için yüksek bir sıcaklık değeri ayarlanmalıdır.

Günlük kullanım

Taze gıdaların soğutulması için ipuçları

- Başta güçlü kokuya sahip olanlar olmak üzere yiyecekleri kapaklı kaplara koyun veya sarın.
- Yiyecekleri, hava etraflarında rahatça dolaşacak şekilde yerleştirin.
- En iyi performans için havanın paketler etrafında dolaşmasını sağlamak üzere soğutucu bölmesinde yeterli alan bırakın. Ayrıca iyice kapanabilmesi için kapıyla ön taraf arasında yeterli boşluk bırakın.
- Buzdolabı içerisine sıcak yiyecek veya kaynamakta olan sıvılar koymayın.
- Pişmiş yiyecekler ve soğuk yemekler: üzerini kapatarak herhangi bir rafa yerleştirin.
- Meyve ve sebzeler: iyice temizleyerek sebze çekmecesine yerleştirin. Muz, patates, soğan ve sarımsak paketlenmemişse buzdolabında tutulmamalıdır.
- Yağ ve peynir: havayı mümkün olduğunca fazla dışarıda bırakmak için hava geçirmez özel bir kaba koyun veya alüminyum folyo ya da polietilen torbaya sarın.
- Şişeler: kapakla kapatıp kapı rafına yerleştirin.

Enerji tasarrufu ipuçları

- Cihazı, herhangi bir ısı kaynağından (ör. radyatör, ocak vb.) uzak, kuru, iyi havalandırılan bir odaya ve güneşe doğrudan maruz kalmayan bir yere kurun. Gerekirse izolasyon plakası kullanın.

Temizlik ve bakım

Genel tüyolar

- Cihazı ılık su ve buzdolabının iç kısmına özel formüle edilmiş nötr deterjanla hazırlanan çözeltiye daldırılmış bir bezle düzenli olarak temizleyin. Aşındırıcı temizlik maddeleri veya aletler kullanmayın.

Püf noktaları:

- Sıcaklık düşük ayarlanırsa gıdalarınızı daha uzun süre güvenle muhafaza edebilirsiniz ancak cihaz daha fazla elektrik tüketir.
- Sıcaklık yüksek ayarlanırsa gıdalarınız daha kısa sürede bozulur ancak cihaz daha az elektrik tüketir.

Cihazın kapatılması

Cihazı kapatmak için sıcaklık regülatörü düğmesini çevirerek "OFF" konumuna getirin ve ardından elektrik fişini prizden çekin.

- Yeterli havalandırma sağlamak için kurulum talimatlarını takip edin.
- Ürünün arkasında havalandırmanın yetersiz olması enerji tüketimini artırır ve soğutma verimliliğini azaltır.
- Cihazın iç sıcaklıkları, ortam sıcaklığı, kapının açılma sıklığı ve cihazın konumundan etkilenebilir. Sıcaklık ayarı yapılırken tüm bu faktörler dikkate alınmalıdır.
- Cihazın içine koymadan önce sıcak yiyecek ve içeceklerin soğumasını bekleyin.
- Fanı (varsa) yiyeceklerle kapatmayın.
- Cihazı yerleştirdikten veya çıkardıktan sonra, kapıyı (özellikle buzluk kapısını) iyi bir şekilde kapattığınızdan emin olun.
- Kapıyı minimum açıklıkta açın.
- Donmuş yiyecekleri çözdürürken buzdolabına koyun. Donmuş ürünlerin düşük sıcaklıkta olması buzdolabındaki yiyecekleri soğutur.
- Rafların buzdolabındaki konumlarının enerjinin verimli kullanımını üzerinde etkisi yoktur. Yiyecekler düzgün hava sirkülasyonu sağlayacak şekilde raflara yerleştirilmelidir (yiyecekler birbirine değmemeli ve yiyecek ve arka duvar arasında mesafe bırakılmalıdır).
- Hasarlı contalar en kısa sürede değiştirilmelidir.

- Cihazda servis işlemi veya temizlik yapmadan önce cihazı prizden çekin veya güç kaynağıyla bağlantısını kesin.

DİKKAT! Buzdolabı aksesuarları bulaşık makinesine konulmamalıdır.

Cihazın buzunu çözme

- Buharlaştırıcının yüzeyindeki buz katmanını 3 ila 4 mm kalınlığa ulaştığında cihazın buzunu çözün.
- Buz çözme işleminden önce tüm gıdaları çıkarın ve cihazı kapatın. Eriyen suyu toplamak için buharlaştırıcının altına buz çözme tepsisini yerleştirin.
- Tüm buzlar eridikten sonra eriyen suyu dökün, cihazın iç kısmını kuru bir bezle kurulayın ve cihazı tekrar açın.

Cihazı uzun bir süre kullanmayacaksınız

1. Cihazı kapatın.
2. Cihazın fişini prizden çekin.
3. Tüm yiyecekleri çıkarın.
4. Cihazın buzunu çözdürün ve cihazı temizleyin.
5. Kapıları bölmeler arasında hava sirkülasyonu sağlanacak kadar açık bırakın. Böylece küf ve kötü koku oluşması önlenir.

Elektrik kesintisi durumunda

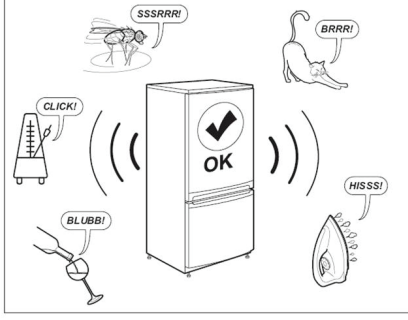
- Cihazın kapılarını kapalı tutun. Bu şekilde yiyecekler mümkün olduğunca uzun süre soğuk kalır.

Sorun Giderme

Sorun	Olası Neden	Çözüm
Cihaz çalışmıyor.	Cihaz kapalı.	Cihazı çalıştırın.
	Fişi prize doğru şekilde takılmamıştır.	Cihazın fişini prize doğru şekilde takın.
	Ana şebekede elektrik yok.	Prizin çalışıp çalışmadığını öğrenmek için farklı bir elektrikli cihaz bağlayın. Prizi onarmak için uzman bir elektrik teknisyenine başvurun.
Cihaz sesli çalışıyor.	Cihaz dengeli olarak yerleştirilmemiştir.	Cihazı düzleştirin. "Cihazın düzleştirilmesi" bölümüne veya diğer Montaj Talimatlarına bakın.
Kompresör sürekli olarak çalışıyor.	Ayarlanan sıcaklık çok düşük.	Daha yüksek bir sıcaklığa ayarlayın. "Çalıştırma" bölümüne bakın.
	Birçok gıda ürünü aynı anda yerleştirilmiş.	Birkaç saat bekleyin ve sıcaklığı tekrar kontrol edin.
	Oda sıcaklığı çok yüksek.	Eğer mümkünse cihazın yerini değiştirin. "Yerleştirme" bölümüne bakın.
	Cihaz içerisine yerleştirilen yiyecekler çok sıcak.	Cihaza koymadan önce yiyeceklerin sıcaklığının oda sıcaklığına gelmesini sağlayın.
	Kapı doğru şekilde kapatılmamış.	"Kapının kapatılması" bölümüne bakın.
Cihazın sıcaklığı çok düşük ya da çok yüksek.	Sıcaklık doğru ayarlanmamış.	Daha düşük ya da daha yüksek bir sıcaklığa ayarlayın.
	Kapı doğru şekilde kapatılmamış.	"Kapının kapatılması" bölümüne bakın.
	Cihaz içerisine yerleştirilen yiyecekler çok sıcak.	Cihaza koymadan önce yiyeceklerin sıcaklığının oda sıcaklığına gelmesini sağlayın.
	Birçok gıda ürünü aynı anda yerleştirilmiş.	Aynı anda daha az gıda ürünü yerleştirin.
	Buzun kalınlığı 4-5 mm'den daha fazla.	Cihazın buzunu çözün.
	Kapı, çok sık açılmış.	Kapıyı sadece gerekli olduğunda açın.
	Cihazın içerisinde yeterli soğuk hava sirkülasyonu yok.	Cihaz içinde hava rahatça dolaşacak şekilde yiyeceklerin yerini değiştirin.
Kapı, tam olarak kapanmıyor.	"Kapının kapatılması" bölümüne bakın.	"Kapının kapatılması" bölümüne bakın.

Normal gürültüler

Soğutma sisteminin gurultu ve tıslama gibi sesler çıkarması normaldir.



Kapının kapatılması

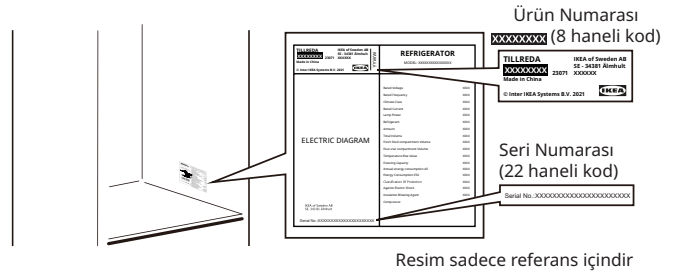
Durum	Yapılacak Şey
Kapı lastikleri kirlenmiş.	Bunları temizleyin.
Kapı lastikleri hasar görmüş.	Değiştirmek için Satış Sonrası Servisi ile iletişime geçin.
Raf, çekmece, yiyecek ürünleri vb. nedeniyle kapının kapanmasını engelliyor.	Doğru bir şekilde yerleştirin veya kapının kapanmasını engelleyen nesnelere çıkarın.
Cihaz düz durmuyor.	Cihazı düzleştirin. "Cihazın düzleştirilmesi" bölümüne veya diğer Montaj Talimatlarına bakın.
Kapı dolapla aynı hizada değil.	Kapıyı ayarlayın. Ayrı Montaj Talimatlarına bakın.

Satış Sonrası Servisiyle iletişime geçmeden önce:

Arızanın düzelip düzelmediğini görmek için cihazı yeniden başlatın. Arıza devam ediyorsa cihazı yeniden kapatın ve bir saat sonra işlemi tekrar edin. Sorun giderme kılavuzunda listelenen kontrolleri yaptıktan ve cihazı tekrar açtıktan sonra cihazınız hâlâ düzgün çalışmıyorsa Satış Sonrası Servis ile iletişime geçin ve aşağıdaki bilgileri vererek sorunu net bir şekilde açıklayın:

- sorunun özelliği
- satın alma tarihi
- cihazın modeli ve seri numarası

❗ Ürün numarası ve seri numarası, cihazın sağ iç tarafındaki anma değerleri plakasında gösterilmektedir.



Resim sadece referans içindir


Teknik Bilgiler

Ürün kategorisi	
Ürün tipi	Buzdolabı
Kurulum türü	Bağımsız
Ürün Boyutları	
Yükseklik	492 mm
Genişlik	472 mm
Derinlik	450 mm
Net hacim	
Soğutucu	43,0 L
Buz Çözme Sistemi	
Soğutucu	Manuel
Diğer teknik özellikler	
Yıldız seviyesi	-
Sıcaklık yükselme süresi	-
Enerji tüketimi	80 kWsa/yıl
Gürültü seviyesi	41 dB(A)
Enerji sınıfı	E
Anma gerilimi	220 - 240 V~
Anma frekansı	50 Hz
Enerji verimliliği sınıfı ışık kaynağı	-

Not: Ürün veri tabanında ürün hakkında bilgilere EPREL etiketindeki QR kodu taranarak erişilebilir.

Çevre ile ilgili konular

1. Ambalaj malzemeleri 

Geri dönüştürülebilir malzemeler  sembolüyle işaretlenmiştir.

Ambalaj malzemelerini geri dönüştürülmek üzere ilgili çöp konteynerine atın.

Potansiyel tehlike kaynağı olduklarından ambalaj malzemelerini (plastik torba, strafor parçalar vb.) çocukların erişemeyeceği yerlerde saklayın.

2. Hurdaya Ayırma/Bertaraf Etme

Cihaz geri dönüştürülebilir malzemeler kullanılarak üretilmiştir.

Bu cihaz Atık Elektrikli ve Elektronik Eşyalarla ilgili 2002/96/EC sayılı Avrupa Direktifine (WEEE) uygun şekilde işaretlenmiştir. Bu cihazın düzgün şekilde bertaraf edilmesini sağlayarak çevre ve insan sağlığının olumsuz etkilenmesini önlemeye yardımcı olabilirsiniz.

Cihazın veya yanında verilen belgelerin üstündeki



sembolü, bu cihazın evsel atık olarak atılmaması

gerektiğini ve elektrikli ve elektronik eşyaların geri dönüştürülmesine yönelik özel toplama merkezine götürülmesi gerektiğini gösterir. Cihazı hurdaya ayırırken çocukların kolayca içine girip mahsur kalmaması için güç kablosunu kesip kapı ve raflarını çıkararak kullanılamaz hale getirin.

Cihazı özel bir toplama merkezine götürerek atık bertarafıyla ilgili yerel yönetmeliklere uygun şekilde hurdaya ayırın. Çocuklar için potansiyel tehlike kaynağı olduğundan cihazı birkaç gün boyunca gözetimsiz bırakmayın.

Bu ürünün değerlendirilmesi, geri kazanılması ve geri dönüştürülmesiyle ilgili daha fazla bilgi için yetkili yerel ofisiniz, evsel atık toplama servisi veya cihazı satın aldığınız mağaza ile iletişime geçin.

Uygunluk beyanı

- Bu cihaz yiyecekleri saklamak için tasarlanmış ve 1935/2004 No'lu Yönetmeliğe (EC) uygun şekilde üretilmiştir.
- CE
- Bu cihaz, aşağıdaki direktiflere uygun şekilde tasarlanmış, üretilmiş ve satılmıştır:
 - 2014/35/EU "Düşük Gerilim" Direktifinin güvenlik amaçları (2006/95/CE ve sonraki değişikliklerin yerine geçer);

- 2014/30/EU "EMC" Direktifinin koruma gereksinimleri.
- Bu cihaz, aşağıdaki direktiflere uygun şekilde tasarlanmış, üretilmiş ve satılmıştır:
 - 2016 Elektromanyetik Uyumluluk Yönetmeliği
 - 2016 Elektrikli Ekipman (Güvenlik) Yönetmeliği

**UK
CA****IKEA Garantisi****IKEA garantisi ne kadar süre ile geçerlidir?**

Garanti, ulusal mevzuatta aksi belirtilmedikçe satın alma tarihinden itibaren **2 yıl** süreyle geçerlidir. Norveç, Portekiz ve İspanya'da, ulusal mevzuatta aksi belirtilmedikçe garanti müşteriye teslim tarihinden itibaren 3 yıl boyunca geçerlidir. Satın alma işleminin kanıtı olarak orijinal satış makbuzu gerekmektedir. Servis işlemlerinin garanti kapsamında gerçekleştirilmesi halinde, bu durum cihazın veya yeni parçaların garanti süresini uzatmayacaktır.

Servisi kim yapacak?

IKEA servis sağlayıcısı, servis hizmetlerini kendi servis faaliyetleri veya yetkili servis ortağı ağı üzerinden sağlayacaktır.

Bu garanti neleri kapsar?

Bu garanti, IKEA'dan satın alınma tarihinden itibaren, cihazın hatalı imalatı veya malzeme hataları nedeniyle meydana gelen arızaları kapsar. Bu garanti sadece ev içi kullanım için geçerlidir. İstisnalar, "Bu garantinin altında neler kapsamaktadır?" başlığının altında belirtilmektedir. Cihazın özel harcama yapılmaksızın tamiri için erişilebilir durumda olması ve hatanın garanti kapsamındaki hatalı imalat veya malzeme hatası ile ilgili olması koşuluyla, garanti süresi içerisinde arızayı gidermek için yapılan masraflar ör. tamirler, parçalar, işçilik ve seyahat kapsanacaktır. Bu koşullar altında, AB yönergeleri (No 99/44/EG) ve ilgili yerel yönetmelikler geçerlidir. Değiştirilen parçalar IKEA'nın malı olacaktır.

IKEA sorunu çözmek için ne yapacak?

IKEA tarafından atanan Servis Sağlayıcı, ürünü inceleyerek tamamen kendi takdiri dahilinde garanti kapsamına girip girmediğine karar verecektir. Garanti kapsamına girdiğine karar verilirse IKEA Servis Sağlayıcısı veya yetkili servis ortağı kendi servis faaliyetleri yoluyla tamamen kendi takdiri dahilinde kusurlu ürünü onaracak veya aynı ya da benzer bir ürünle değiştirecektir.

Bu garantinin altında neler kapsamamaktadır?

- Normal yıpranma ve aşınma.
- Kasti veya ihmale dayalı hasarlar, çalıştırma talimatlarına uyulmaması, yanlış kurulum veya yanlış voltaja bağlantısından kaynaklanan hasarlar, kimyasal veya elektro-kimyasal tepkime, pas, korozyon veya su kaynağında bulunan kireçten kaynaklanan hasarlar da dahil olmak üzere fakat bununla sınırlı olmamak kaydıyla su hasarları, anormal çevre koşullarının neden olduğu hasarlar.
- Aküler ve lambalar dahil olmak üzere sarf malzemeleri.
- Çizikler ve olası renk değişiklikleri de dahil olmak üzere, cihazın normal kullanımını etkilemeyen, fonksiyonel olmayan parçalar ve dekoratif parçalar.
- Yabancı nesnelere veya maddelere ve filtrelerin temizlenmesinden veya kilidinin açılmasından, tahliye sistemlerinden veya sabun çekmecelerinden kaynaklanan kaza ile oluşan hasarlar.
- Şu parçalardaki hasarlar: Seramik cam, aksesuarlar, tabak takımı ve çatal-bıçak sepetleri, besleme ve tahliye boruları, contalar, lambalar ve lamba kapakları, ekranlar, düğmeler, çerçeveler ve çerçeve parçaları. Bu hasarların üretim hatalarından kaynaklandığının ispatlanamaması halinde.
- Bir teknisyenin ziyareti sırasında hata bulunamayan durumlar.
- Tayin edilen servis sağlayıcılarımız ve/veya yetkili bir servis sözleşmeli partner tarafından yapılmayan veya orijinal parçaların kullanılmadığı tamir işlemleri.
- Hatalı veya teknik özelliklere uygun olmayan kurulumun sebep olduğu tamirler.
- Cihazın ev dışındaki ortamlarda kullanılması, ör. profesyonel kullanım.
- Nakliyeden kaynaklanan hasarlar. Eğer bir müşteri, ürünü evine veya başka bir adrese kendisi naklederse, nakliye esnasında meydana gelecek hasarlardan IKEA sorumlu değildir. Ancak, ürünü müşterinin taşınma adresine IKEA taşırsa o halde bu taşıma esnasında oluşan hasar IKEA tarafından karşılanacaktır.

- IKEA cihazının ilk kurulum ücreti. Ancak, IKEA tarafından atanmış bir Servis Sağlayıcısı veya yetkili servis partneri, cihazı bu garanti şartları altında tamir eder veya değiştirirse atanan Servis Sağlayıcısı veya onun yetkili servis partneri gerekirse tamir edilen cihazı yeniden kuracak veya değiştirilene kuracaktır.

Bu kısıtlamalar, cihazı başka bir AB ülkesinin teknik güvenlik tanımlamalarına uyarlamak üzere orijinal parçalarımız kullanılarak kalifiye bir uzman tarafından gerçekleştirilen hatasız çalışmalar için geçerli değildir.

Ülke kanunları nasıl işler

IKEA garantisi sizlere tüm yerel yasal talepleri kapsayan ve bunları aşan özel yasal haklar verir. Ancak, bu şartlar hiçbir şekilde yerel kanunlarda tanımlanan müşteri haklarını sınırlandırmaz.

Geçerlilik alanı

Bir AB üyesi ülkede satın alınan ve başka bir AB üyesi ülkeye götürülen cihazlar için, servisler yeni ülkedeki garanti koşulları çerçevesinde sağlanacaktır. Servisleri garanti çerçevesinde gerçekleştirme zorunluluğu sadece cihaz aşağıda belirtilen şartlarla uyumluysa ve bunlara uygun şekilde kurulmuşsa geçerlidir:

- garanti talebinin yapıldığı ülkenin teknik şartnamesi;
- Montaj Talimatları ve Kullanıcı Kılavuzu Güvenlik Bilgileri.

IKEA cihazları için özel SATIŞ SONRASI HİZMET

Lütfen şu hususlarda IKEA Satış Sonrası Servis Sağlayıcısı ile iletişime geçmekten çekinmeyin:

- bu garanti altında bir servis talebinde bulunmak için;
- IKEA cihazının, özel IKEA mutfak mobilyalarına montajı hakkında açıklama istemek için;
- IKEA cihazlarının fonksiyonları hakkında bilgi almak için.

Size en iyi şekilde destek sağlamamızı garanti etmek için lütfen bizimle iletişime geçmeden önce Kurulum talimatlarını ve/veya Kullanma Kılavuzunu dikkatli bir şekilde okuyun.

Servisimize ihtiyaç duyduğunuzda bize nasıl ulaşabilirsiniz



IKEA tarafından görevlendirilen Satış Sonrası Hizmet Sağlayıcılarının telefon numaralarını bu kılavuzun sonunda bulabilirsiniz.

- **Size daha hızlı hizmet verebilmek için bu kılavuzun sonunda listelenen özel telefon numaralarını kullanmanızı öneririz. Daima yardıma ihtiyacınız olan cihaza ait kullanım kılavuzunda listelenen telefon numaralarını kullanın. Lütfen cihazınızın anma plakasında gösterilen 8 basamaklı ürün numarası ile 22 basamaklı seri numarasını vermeyi unutmayın.**

• SATIŞ MAKBUZUNU SAKLAYIN!

Bu sizin satın alma işleminizin kanıtıdır ve garantinin uygulanması için gereklidir. Makbuz ayrıca satın aldığınız her cihazın IKEA ürün adını ve madde numarasını da (8 rakamlı kod) taşımaktadır.

Daha fazla yardım istiyor musunuz?

Cihazınızın Satış Sonrası ile ilgili olmayan diğer sorular için lütfen en yakın IKEA mağazası çağrı merkeziyle iletişime geçin. Bizimle temasa geçmeden önce cihazınızın belgelerini tam olarak okumanızı öneririz.

Yedek parçalar hakkında bilgi

- Termostat, sıcaklık sensörü, baskılı devre kartı ve ışık kaynağı gibi yedek parçalar, son ürün modeli piyasaya sunulduktan sonra en az yedi yıl boyunca profesyonel tamircilere tedarik edilecektir.
- Kapı kolu, kapı menteşesi, tepsi ve sepet gibi yedek parçalar, son ürün modeli piyasaya sunulduktan sonra en az yedi yıl boyunca ve kapı contası en az 10 yıl boyunca profesyonel tamircilere tedarik edilecektir.

Yedek parçalar şuradan temin edilebilir: www.ikea.com

Съдържание

Информация за безопасност.....	282	Ежедневна употреба	288
Инструкции за безопасност.....	283	Почистване и поддръжка.....	288
Монтаж.....	285	Отстраняване на неизправности	289
Първа употреба.....	286	Техническа информация.....	291
Описание на продукта.....	287	Грижи за околната среда.....	291
Начин на работа	287	Гаранция от ИКЕА	292

Информация за безопасност

Преди инсталиране и употреба на уреда прочетете внимателно предоставените инструкции. Производителят не носи отговорност, ако вследствие на неправилно инсталиране или употреба бъдат причинени наранявания или щети. Пазете инструкциите заедно с уреда, за бъдещи справки.

Безопасност на деца и уязвими лица



ПРЕДУПРЕЖДЕНИЕ:

Опасност от пожар / Запалими материали

- Този уред може да се използва от деца над 8 годишна възраст, както и от лица с ограничени физически, сетивни или умствени способности или такива без опит и познания, само когато са под наблюдение или са инструктирани как да използват уреда по безопасен начин, и ако разбират свързаните с него опасности. Децата не трябва да играят с уреда. Почистване и поддръжка не трябва да се извършват от деца без надзор. Наблюдавайте децата, за да сте сигурни, че не си играят с уреда.
- Този уред може да се използва от деца от 3 до 8 години, както и от лица с голяма степен на увреждания, ако са инструктирани по подходящ начин.
- Дръжте децата на възраст под 3 години далеч от уреда, освен ако не са под непрекъснато наблюдение.
- Не позволявайте на деца да си играят с уреда.

- Децата не трябва да почистват и обслужват уреда, ако не са под наблюдение.
- Деца на възраст от 3 до 8 години могат да поставят и вземат продукти от хладилника.
- Дръжте всички опаковки далеч от деца и ги изхвърляйте по подходящ начин.

Обща безопасност

- Уредът е предназначен за домашна употреба и други подобни приложения, като например:
 - кухненски зони за персонала в магазини, офиси и други типове работна среда;
 - в селскостопански постройките, за ползване от клиенти в хотели, мотели и други типове жилищни среди;
 - къщи за гости;
 - кетъринг и други нетърговски приложения.
- **ПРЕДУПРЕЖДЕНИЕ:** Не закривайте вентилационните отвори в корпуса на уреда или в конструкцията за вграждане.
- **ПРЕДУПРЕЖДЕНИЕ:** Не използвайте механични устройства или други средства за ускоряване на процеса на размразяване, различни от препоръчаните от производителя.
- **ПРЕДУПРЕЖДЕНИЕ:** Пазете кръга на охладителния агент от повреда.
- **ПРЕДУПРЕЖДЕНИЕ:** Не използвайте електрически уреди в отделенията за съхранение на храна на уреда, освен ако не са от типа, препоръчан от производителя.

- **ПРЕДУПРЕЖДЕНИЕ:** При почистване на уреда не използвайте водна струя и пара.
- **ПРЕДУПРЕЖДЕНИЕ:** Почиствайте уреда с влажна мека кърпа. Използвайте само неутрални почистващи препарати. Не използвайте абразивни продукти, абразивни почистващи кърпи, разтворители или метални предмети.
- **ПРЕДУПРЕЖДЕНИЕ:** Не съхранявайте в този уред взривоопасни вещества, като аерозолни флакони със запалими горивни вещества.
- **ПРЕДУПРЕЖДЕНИЕ:** Ако хранящият кабел е повреден, за да избегнете рисковете, той трябва да бъде сменен от производителя, от упълномощен сервиз на производителя или от квалифициран специалист.
- **ПРЕДУПРЕЖДЕНИЕ:** Когато поставяте уреда, внимавайте да не затиснете или повредите хранящия кабел.
- **ПРЕДУПРЕЖДЕНИЕ:** Не поставяйте преносими разклонители или удължителни кабели зад уреда.
- Оставянето на вратата отворена за дълго време може да доведе до повишаване на температурата в отделенията на уреда.
- Почиствайте редовно повърхностите, които могат да влязат в контакт с храната, както и достъпните системи за оттичане на водата.
- Почистете резервоарите за вода, ако не са били използвани в продължение на 48 часа; промийте системата за храняване с вода, ако водата не е била пускана в продължение на 5 дни.
- Съхранявайте суровото месо и рибата в подходящи съдове в хладилника, за да не влизат в контакт с и да не капят върху останалата храна.
- Ако планирате да не използвате хладилника дълго, изключете от контакта, размразете, почистете, подсушете и оставете вратата отворена, за да предотвратите образуване на мухъл.
- Този хладилник не е подходящ за замразяване на храни.
- Този хладилник не е предназначен за вграждане.
- Отделенията за замразена храна с две звездички са подходящи за съхранение на предварително замразена храна, за съхранение или замразяване на сладолед, и за лед.
- Отделенията с една, две и три звездички не са подходящи за замразяване на прясна храна.
- **ПРЕДУПРЕЖДЕНИЕ:** За да избегнете рисковете, свързани с нестабилно поставен уред, той трябва да бъде фиксиран съгласно инструкциите.

Инструкции за безопасност

Монтаж

⚠ ПРЕДУПРЕЖДЕНИЕ! Уредът може да се инсталира само от квалифицирани лица.

- Отстранете всички опаковки.
- Не инсталирайте и не използвайте повреден уред.
- Следвайте предоставените с уреда инструкции за инсталиране.
- Уредът е тежък, затова винаги внимавайте, когато го премествате. Винаги използвайте защитни ръкавици и затворени обувки.
- Когато местите уреда, внимавайте да не повредите подовата настилка (напр. паркет).

- Не поставяйте уреда в близост до източник на топлина.
- Монтирайте и нивелирайте уреда върху под, който е достатъчно здрав, за да издържи неговото тегло, и на място, подходящо за неговия размер и удобна употреба.
- Уверете се, че въздухът циркулира свободно около уреда.
- Когато инсталирате за първи път или след обръщане на вратата, изчакайте най-малко 4 часа, преди да свържете уреда към електрическата инсталация. Това е необходимо, за да може маслото да се върне обратно в компресора.

- Преди да извършвате операции с уреда (например обръщане на вратата), изключете щепсела от контакта.
- Задната част на уреда трябва да е изправена до стена.
- Не инсталирайте уреда под пряка слънчева светлина.
- Не инсталирайте уреда на места, където е прекалено влажно или прекалено студено, напр. в мазе.

Електрическо свързване

⚠ ПРЕДУПРЕЖДЕНИЕ! Опасност от пожар и токов удар.

⚠ ПРЕДУПРЕЖДЕНИЕ! Когато поставяте уреда, внимавайте да не затиснете или повредите охранващия кабел.

⚠ ПРЕДУПРЕЖДЕНИЕ! Не използвайте разклонители или удължаващи кабели.

- Уредът трябва да е заземен.
- Уверете се, че параметрите на информационната табелка на уреда съответстват на тези на електрическата инсталация.
- Винаги използвайте правилно инсталиран, устойчив на удар контакт.
- Пазете електрическите компоненти от повреда (напр. щепсел, охранващ кабел, компресор). Ако е необходима смяна на някой от електрическите компоненти, потърсете упълномощен сервизен център или електротехник.
- Охранващият кабел трябва да остане под нивото на щепсела.
- Включете щепсела в контакта, когато уредът вече е инсталиран. Осигурете достъп до щепсела след приключване на инсталацията.
- Не дърпайте охранващия кабел, за да изключите уреда. Винаги издърпвайте щепсела.
- Само за Великобритания и Ирландия: Този уред е оборудван с щепсел за охранване 13 А. Ако е необходимо да смените предпазителя на щепсела, използвайте само предпазител за 13 А ASTA (BS 1362).

Употреба

⚠ ПРЕДУПРЕЖДЕНИЕ! Опасност от нараняване, изгаряне, токов удар или пожар.



Тръбите в кръга на хладилния агент съдържат малко количество безопасен за околната среда, но запалим хладилен агент R600a. Той не вреди на озоновия слой и не спомага за увеличаване на парниковия ефект. Ако изтече хладилен агент, може да причини наранявания на очите или да се възпламени. Внимавайте да не повредите тръбите.

- При нормална работа повърхността на компресора може да се нагорещи. Не я докосвайте с ръце.
- Не променяйте спецификациите на този уред.
- Не поставяйте електроуреди (например машини за сладолед) в уреда, освен ако производителят допуска това.
- Ако възникне повреда в кръга на охладителния агент, проверете дали в помещението няма пламъци и източници на възпламеняване. Проветрете стаята.
- До пластмасовите части на уреда не трябва да се допират горещи предмети.
- Не съхранявайте бутилирани напитки във фризера, тъй като могат да се пръснат или да причинят други щети.
- Не съхранявайте в уреда запалими газове и течности.
- Не поставяйте запалими материали или предмети, напоени със запалими материали, в уреда, в близост до него или върху него.
- Не докосвайте компресора или кондензатора. Те са горещи.
- Не изваждайте и не докосвайте предмети от отделението за замразена храна, ако ръцете Ви са мокри или влажни.
- Не поглъщайте съдържанието (нетоксично) на охлаждащите елементи.
- Не яжте кубчета лед или ледени близалки веднага след като ги извадите от фризера, тъй като може да причинят студено изгаряне.
- Размразените храни не трябва да се поставят обратно във в отделението за замразена храна.
- Следвайте инструкциите за съхранение върху опаковката на хранителните продукти.

Вътрешна лампа

⚠ ПРЕДУПРЕЖДЕНИЕ! Риск от токов удар.

- Крушката във вътрешността на уреда е специално проектирана за домашни уреди и не е подходяща за общо осветление на помещения в дома (Регламент (ЕС) № 2019/2020).

Грижи и почистване

⚠ ПРЕДУПРЕЖДЕНИЕ! Опасност от нараняване или от повреда на уреда.

- Преди дейности по поддръжка, изключете уреда и извадете щепсела от контакта.
- В охлаждащия блок на този уред се съдържат въгледороди. Поддръжката и зареждането на този блок могат да се извършват само от квалифицирани лица.
- Редовно проверявайте канала за оттичане на водата от уреда и го почиствайте ако е необходимо. Ако каналът е запушен, размразената вода се събира на дъното на уреда.

Обслужване

- За ремонт на уреда се свържете с упълномощен сервизен център от списъка в края на това ръководство.
- Използвайте само оригинални резервни части.

Депониране

⚠ ПРЕДУПРЕЖДЕНИЕ! Опасност от нараняване или от задушаване.

- Изключете уреда от електрическата инсталация.
- Отрежете охранващия кабел и го изхвърлете.
- Свалете вратите на уреда, за да не могат деца и домашни любимци да се затворят вътре в него.

- Кръгът на охладителния агент и изолационните материали на този уред са безопасни за озоновия слой.
- Изолационната пяна съдържа запалим газ. Свържете се с общинските служби за повече информация относно правилното изхвърляне на уреда.
- Не повреждайте частта на охлаждащия блок, която се намира близо до топлообменника.

При неспазване на горепосочените предпазни мерки и съвети производителят не носи отговорност за наранявания на хора или животни, или за повреда на имущество.

Монтаж

⚠ ПРЕДУПРЕЖДЕНИЕ! Преди да инсталирате уреда, прочетете внимателно информацията за безопасност в тази брошура.

Контролен списък за монтаж

Врата

- Вратата приляга плътно към шкафа от всички страни
- Вратата е нивелирана

Нивелиране

- Хладилникът е нивелиран

Електрозахранване

- Изчакайте 4 часа
- Главният прекъсвач на жилището е включен
- Хладилникът е включен в контакта

Последни проверки

- Опаковъчните материали са премахнати
- Зададена е температура на охлаждане

Разполагане

- При инсталация на уреда следвайте отделните Инструкции за монтаж.
- Инсталирайте уреда на място, където температурата на околната среда отговаря на климатичния клас, посочен на информационната табелка на уреда. Така ще осигурите условия за правилна работа на уреда. Описанието на климатичните класове е както следва:

Климатичен клас	Диапазон на температурата на околната среда
SN (студен умерен климат)	+10°C до +32°C
N (нормален умерен климат)	+16°C до +32°C
ST (влажен тропически климат)	+16°C до +38°C
T (сух тропически климат)	+16°C до +43°C

- „SN“ означава, че хладилникът е предназначен за употреба при температура на околната среда от 10°C до 32°C.
- „N“ означава, че хладилникът е предназначен за употреба при температура на околната среда от 16°C до 32°C.
- „ST“ означава, че хладилникът е предназначен за употреба при температура на околната среда от 16°C до 38°C.
- „T“ означава, че хладилникът е предназначен за употреба при температура на околната среда от 16°C до 43°C.

ⓘ При някои модели уреди може да възникнат функционални проблеми, когато работят извън границите на определения температурен диапазон. Правилното функциониране може да бъде гарантирано само в рамките на определения температурен диапазон. Ако имате някакви съмнения относно инсталацията, моля обърнете се към доставчика, нашия център за обслужване на клиенти или най-близкия упълномощен сервизен център.

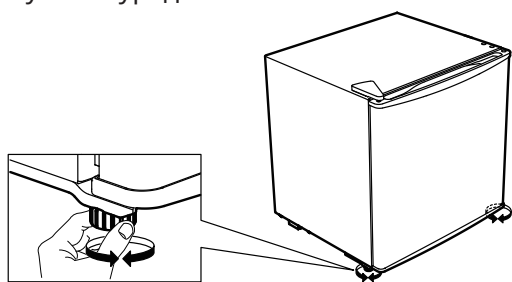
Местоположение

За най-добри резултати инсталирайте уреда далеч от източници на топлина като радиатори, бойлери, пряка слънчева светлина и т.н. Уверете се, че въздухът може да циркулира свободно около задната част на корпуса.

Нивелиране на уреда

Ако основата не е равна, регулирайте двете крачетата в предната част на уреда, за да го нивелирате. Подробни инструкции за монтажа ще намерите в отделните Инструкции за монтаж.

1. Изключете щепсела на уреда от контакта.
2. Завъртете крачето по посока на часовниковата стрелка, за да повдигнете уреда. Завъртете крачето обратно на часовниковата стрелка, за да спуснете уреда.



Почистване на уреда

Преди да използвате за първи път, почистете уреда, за да премахнете типичната миризма на нов продукт.

1. Уверете се, че уредът е изключен от електрическия контакт.
2. Почистете вътрешността с мека влажна кърпа.
3. Измийте вътрешните принадлежности с хладка вода и неутрален препарат, след това изплакнете обилно.

ВНИМАНИЕ!

Не използвайте абразивни продукти, препарати или разтворители на хлорна или киселинна основа.

- Не използвайте телени или абразивни гъби за почистване. Металните повърхности може да ръждясат.
- Никога не мийте принадлежностите в съдомиялна машина. Има вероятност да се деформират.

Електрическо свързване

⚠ ВНИМАНИЕ! Всички електрически работи при инсталация на уреда трябва да се извършват от квалифициран електротехник или компетентно лице.

⚠ ПРЕДУПРЕЖДЕНИЕ! Този уред трябва да е заземен. Неспазването на тези инструкции може да доведе до смърт, пожар или токов удар.

Производителят отхвърля всяка отговорност, ако тези мерки за безопасност не са спазени. Този уред е в съответствие с директивите на ЕИО.

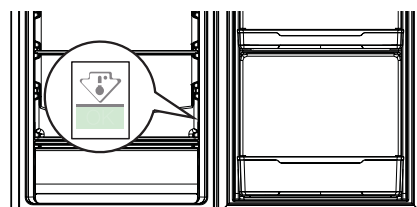
Първа употреба

Включете уреда в контакта. Идеалните настройки за температура на съхранение са зададени в завода (средни стойности).

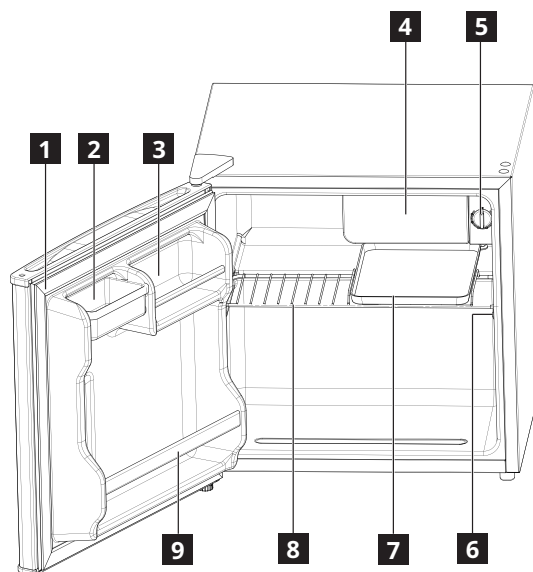
Забележка: След включване на уреда са необходими 4-5 часа за достигане на необходимата температура за съхранение на обичаен обем от хранителни продукти.

Важно!

Законодателството в някои държави изисква да бъде осигурено специално устройство (вж фигурата по-долу), поставено в долното отделение на хладилника, което да указва най-студената зона в него.

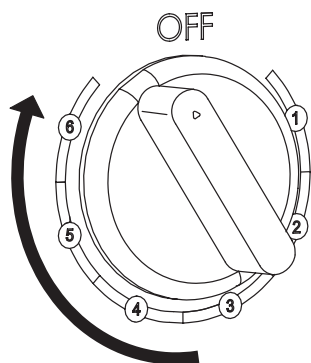


Описание на продукта



- | | |
|---|--|
| <p>1 Уплътнение на вратата</p> <p>2 Кутия за съхранение</p> <p>3 Поставка за кенчета</p> <p>4 Отделение за лесно развалящи се храни</p> | <p>5 Регулатор на температурата</p> <p>6 Информационна табелка</p> <p>7 Тава за размразяване</p> <p>8 Рафт</p> <p>9 Държач за бутилки</p> |
|---|--|

Начин на работа



Регулирайте настройката за температура, като имате предвид, че температурата вътре в уреда зависи от:

- температурата в помещението;
- колко често се отваря вратата;
- количеството съхранявана храна;
- мястото на уреда.

Важно! Ако околната температура е висока или уредът е пълен с храна, а е настроен на най-ниска температура, той може да работи непрекъснато и да образува скреж на задната стена. В такъв случай трябва да зададете по-висока температура, за да осигурите възможност за автоматично размразяване, което означава и намалена консумация на енергия.

Съвети:

- Колкото по-ниска е температурата, толкова по-дълго можете да съхранявате безопасно хранителните продукти и толкова повече електрическа енергия консумира уредът.
- Колкото по-висока е температурата, толкова по-бързо се развалят съхраняваните хранителни продукти и толкова по-малко електрическа енергия консумира уредът.

Изключване

За да изключите уреда, завъртете регулатора на температурата в позиция „ИЗКЛ.“ и след това изключете щепсела от контакта.

Включване

Включете щепсела в електрически контакт и регулирайте температурата. Уредът се включва и започва да работи.

Регулиране на температурата

Температурата се регулира автоматично.

За регулиране на температурата:

- Завъртете регулатора на температурата към по-ниска настройка, за да намалите охлаждането.
- Завъртете регулатора на температурата към по-висока настройка, за да увеличите охлаждането.

- i** Като цяло най-подходяща е средната настройка.

Ежедневна употреба

Съвети за съхранение на пресни храни в хладилника

- Покривайте или увивайте храната, особено ако има силен аромат.
- Поставете храните така, че въздухът да може да циркулира свободно около тях.
- За най-добри резултати оставете достатъчно свободно пространство в хладилника, за да може въздухът да циркулира около пакетите. Освен това оставяйте и достатъчно място в предната част, за да може вратата да се затвори плътно.
- Не съхранявайте топли храни или изпаряващи се течности в хладилника.
- Готвени храни и студени ястия: покрийте и поставете на някоя от полиците.
- Плодове и зеленчуци: почистете старателно и поставете в чекмеджето за зеленчуци. Банани, картофи, лук и чесън не трябва да се поставят в хладилника, ако не са опаковани.
- Масло и сирене: поставете в специални плътно заварящи се съдове, увийте в алуминиево фолио или поставете в полиетиленови торбички, за да елиминирате достъпа до въздух доколкото е възможно.
- Бутилки: затворете с капачката и поставете на рафтовете на вратата.

Съвети за икономия на енергия

- Инсталирайте уреда в сухо помещение с добра вентилация, далеч от източници на топлина (напр. радиатор, готварска печка и др.), на място, където не е изложен на пряка слънчева светлина. Ако е необходимо, използвайте изолиращ панел.

- За да осигурите добра вентилация, следвайте инструкциите за монтаж.
- Недостатъчната вентилация от задната страна на уреда увеличава консумацията на електроенергия и намалява ефективността на охлаждане.
- Различни фактори могат да окажат влияние върху температурата вътре в уреда, като околната температура, честотата на отваряне на вратата и местоположението на уреда. Настройката за температура трябва да бъде съобразена с тези фактори.
- Оставете топлите напитки и храни да се охладят, преди да ги поставите в уреда.
- Не блокирайте вентилатора (ако има такъв) с хранителни продукти.
- След поставяне или изваждане на хранителни продукти затваряйте добре вратата, особено вратата на фризера.
- Отваряйте вратата колкото е възможно по-рядко.
- Когато размразявате замразени храни, ги поставяйте в хладилника. Ниската температура на замразените храни охлажда хранителните продукти в хладилника.
- Мястото на поставяне върху рафтовете в хладилника не оказва влияние върху енергийната ефективност. Хранителните продукти трябва да се поставят на рафтовете по такъв начин, че да осигуряват адекватна циркулация на въздуха (продуктите не трябва да се допират един до друг и до задната стена).
- Повредените уплътнения трябва да бъдат сменени възможно най-скоро.

Почистване и поддръжка

Общи съвети

- Почиствайте редовно уреда с кърпа и разтвор от топла вода и неутрален препарат, специално предназначен за почистване на хладилници. Не използвайте абразивни почистващи препарати.
- Преди да извършите обслужване или почистване на уреда, изключете щепсела от контакта или прекъснете захранването.

ВНИМАНИЕ! Принадлежностите на хладилника не трябва да се мият в съдомиялна машина.

Размразяване на уреда

- Размразявайте уреда, когато дебелината на слоя скреж на повърхността на изпарителя стане 3 до 4 mm.
- Преди да размразите, извадете всички хранителни продукти и изключете уреда. Поставете тавата за размразяване под изпарителя, за да събира размразилата се вода.
- Когато ледът се размрази, излейте водата, подсушете вътрешността на уреда със суха кърпа и го включете отново.

Ако няма да използвате уреда за дълго време

1. Изключете уреда.
2. Изключете уреда от електрическия контакт.
3. Извадете всички хранителни продукти.
4. Размразете и почистете уреда.

5. Оставете вратите отворени само толкова, колкото да осигурите циркулация на въздух в отделенията. Така ще предотвратите образуването на мухъл и неприятни миризми.

Ако има прекъсване на захранването

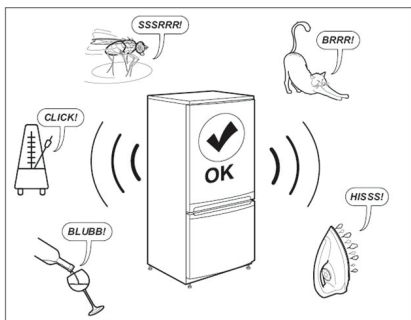
- Дръжте вратите на уреда затворени. Така хранителните продукти ще останат студени възможно най-дълго.

Отстраняване на неизправности

Проблем	Вероятна причина	Решение
Уредът не работи.	Уредът е изключен.	Включете уреда.
	Щепселът не е свързан правилно към контакта.	Свържете правилно щепсела към контакта.
	В контакта няма напрежение.	За да проверите дали електрическият контакт работи, включете в него друг електрически уред. Свържете се с квалифициран електротехник за ремонт на контакта.
Уредът е шумен.	Уредът не е поставен стабилно.	Нивелирайте уреда. Вижте раздела „Нивелиране на уреда“ или отделните Инструкции за монтаж.
Компресорът работи непрекъснато.	Зададената температура е прекалено ниска.	Задайте по-висока температура. Вижте раздела „Начин на работа“.
	Поставени са много продукти по едно и също време.	Изчакайте няколко часа, след което отново проверете температурата.
	Температурата в помещението е твърде висока.	Преместете уреда, ако е възможно. Вижте раздела „Разполагане“.
	Поставените в уреда хранителни продукти са били много топли.	Преди да приберете хранителните продукти, изчакайте да изстинат до стайна температура.
	Вратата не е правилно затворена.	Вижте раздела “Затваряне на вратата”.
Температурата в уреда е твърде ниска/твърде висока.	Температурата не е зададена правилно.	Задайте по-висока/по-ниска температура.
	Вратата не е правилно затворена.	Вижте раздела “Затваряне на вратата”.
	Поставените в уреда хранителни продукти са били много топли.	Преди да приберете хранителните продукти, изчакайте да изстинат до стайна температура.
	Поставени са много продукти по едно и също време.	Поставяйте по-малко хранителни продукти едновременно.
	Натрупан е скреж с дебелина повече от 4-5 mm.	Размразете уреда.
	Вратата е била отворена често.	Отваряйте вратата само когато е необходимо.
	В уреда няма достатъчно циркулация на студен въздух.	Подредете хранителните продукти така, че въздухът да може да циркулира свободно в уреда.
Вратата не се затваря добре.	Вижте раздела “Затваряне на вратата”.	

Нормални шумове

Нормално е при работа хладилната система да издава звуци, като бълбукане и свистене.



Затваряне на вратата

Ако	Направете следното
Уплътненията на вратата са замърсени.	Почистете ги.
Уплътненията на вратата са повредени.	Свържете се със следпродажбен сервиз за смяна.
Вратата е блокирана от полица, чекмеджета, хранителни продукти и др.	Поставете правилно или извадете елементите/продуктите, които блокират вратата.
Уредът не е нивелиран.	Нивелирайте уреда. Вижте раздела „Нивелиране на уреда“ или отделните Инструкции за монтаж.
Вратата не е подравнена с корпуса.	Регулирайте вратата. Вижте отделните Инструкции за монтаж.

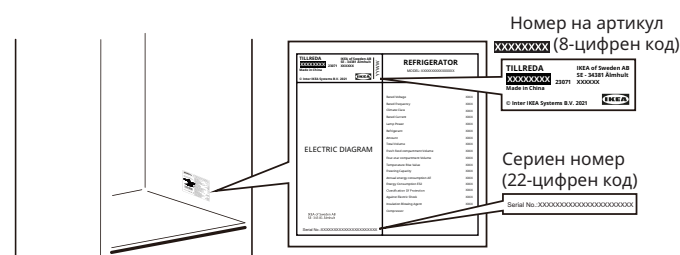
Преди да се свържете със следпродажбен сервиз:

Рестартирайте уреда, за да видите дали повредата е отстранена. Ако проблемът продължава, изключете отново уреда и повторете операцията след един час.

Ако уредът не работи нормално, след като извършите проверките, описани в раздела за отстраняване на неизправности и след като отново включите уреда, тогава се свържете със следпродажбен сервиз, обяснете ясно проблема и посочете:

- естеството на проблема
- датата на покупката
- модела и серийния номер на уреда

❗ Номерът на артикул и серийният номер се намират на информационната табелка на дясната вътрешна стена на уреда.



Снимката е само за справка


Техническа информация

Категория на продукта	
Тип продукт	Хладилник
Тип инсталация	Свободностоящ
Размери на продукта	
Височина	492 mm
Ширина	472 mm
Дълбочина	450 mm
Нетен обем	
Хладилник	43,0 L
Система за размразяване	
Хладилник	Ръчна
Други спецификации	
Звезден рейтинг	-
Време за покачване на температурата	-
Консумация на електроенергия	80 kWh/год.
Ниво на шум	41 dB(A)
Енергиен клас	E
Номинално напрежение	220 - 240 V~
Номинална честота	50 Hz
Клас на енергийна ефективност на светлинния източник	-

Забележка: Достъп до информация за продукта в базата данни с продукти можете да получите, като сканирате QR кода на етикета EPREL.

Грижи за околната среда

1. Опаковъчни материали

Материалите, които могат да бъдат рециклирани, са отбелязани със символа .

Поставете опаковъчните материали в съответните контейнери за рециклиране.

Дръжте опаковъчните материали (пластмасови торбички, части от стиропор и др.) далеч от деца, тъй като са потенциален източник на опасност.

2. Бракуване/Депониране

Уредът е произведен от материали, които могат да бъдат рециклирани.

Уредът е маркиран в съответствие с Директива 2002/96/ЕС относно отпадъци от електрическо и електронно оборудване (ОЕЕО). Чрез правилно изхвърляне на уреда ще помогнете за предотвратяване на евентуални отрицателни въздействия върху околната среда и човешкото здраве.

Символът , поставен на уреда или в

придружаващите документи, показва, че продуктът не може да се третира като битов отпадък, а трябва да бъде предаден в съответен събирателен пункт за рециклиране на електрическо и електронно оборудване. Когато изхвърляте уреда, трябва да го направите неизползваем, като отрежете захранващия кабел и премахнете вратите и рафтовете, за да не могат деца да влязат вътре и да останат затворени.

Изхвърлете уреда в съответствие с местните нормативни актове за изхвърляне на отпадъци, като го предадете в специален пункт за събиране на подобни отпадъци. Не оставяйте уреда без надзор, дори и за няколко дни, тъй като представлява потенциален източник на опасност за децата.

За допълнителна информация относно пунктовете за третиране, възстановяване и рециклиране на този продукт се обърнете към компетентния местен орган, фирма за събиране на битови отпадъци или към магазина, от който сте закупили уреда.

Декларация за съответствие

- Този уред е проектиран за съхранение на храни и е произведен в съответствие с Регламент (ЕО) № 1935/2004.



- Този уред е проектиран, произведен и продаван на пазара в съответствие с:

- целите за безопасност на Директивата за ниско напрежение 2014/35/ЕС (която заменя Директива 2006/95/СЕ и нейните последващи изменения);
- изискванията за защита на Директивата за EMC 2014/30/ЕС.
- Този уред е проектиран, произведен и продаван на пазара в съответствие с:
 - Регламент за електромагнитна съвместимост 2016
 - Регламент за (безопасността на) електрическите уреди 2016



Гаранция от IKEA

Докога е валидна гаранцията на IKEA?

Тази гаранция е валидна за срок от **2 години**, считано от датата на покупка, освен ако не е предвидено друго в съответното национално законодателство. В Норвегия, Португалия и Испания гаранцията е валидна за срок от 3 години, считано от датата на доставка до клиента, освен ако не е предвидено друго в съответното национално законодателство. За доказателство за покупката се изисква оригиналната касова бележка. Ако уредът бъде ремонтиран, докато е в гаранция, това няма да удължи гаранционния срок.

Кой извършва ремонта?

Обслужването се осигурява от доставчик на сервизно обслужване на IKEA чрез собствени сервизи или сервизна мрежа от упълномощени партньори.

Какво покрива тази гаранция?

Гаранцията покрива повреди на уреда, които са причинени от неизправна конструкция или дефект на материала считано от датата на закупуване от IKEA. Тази гаранция важи само за уреди за домашна употреба. Изключенията са посочени под заглавието "Какво не покрива тази гаранция?" В рамките на гаранционния период се покриват разходите за отстраняване на повредата, напр. ремонт, резервни части, труд и пътуване, при условие че уредът е достъпен за ремонт без специални разходи. При тези условия се прилагат указанията на ЕС (Директива 99/44/ЕО) и съответните местни разпоредби. Сменените части стават собственост на IKEA.

Какво прави IKEA за отстраняване на проблема?

Определен от IKEA Доставчик на сервизно обслужване инспектира продукта и решава по свое усмотрение дали гаранцията покрива съответния дефект. Ако счете, че дефектът се покрива от гаранцията, тогава Доставчикът на сервизно обслужване на IKEA или негов упълномощен сервизен партньор чрез свой собствен сервиз и по своя преценка извършва ремонт на дефектния продукт или го сменя със същия или сравним с него продукт.

Какво не покрива тази гаранция?

- Нормалното износване и изхабяване.
- Умишлени повреди или повреди поради небрежност, повреди, причинени от неспазване на инструкциите за експлоатация, неправилен монтаж или чрез свързване към неподходящо напрежение, повреди, причинени от химични или електрохимични реакции, ръжда, повреди от корозия или вода, включително, но не само, повреди, причинени от прекомерно количество варовик в подаваната вода, повреди, причинени от необичайни условия на околната среда.
- Консумативи, включително батерии и лампи.
- Нефункционални и декоративни части, които не влияят на обичайната употреба на уреда, включително надрасквания и възможни разлики в цвета.
- Случайни повреди, причинени от чужди предмети или вещества, както и почистване или отпушване на филтри, дренажни системи или контейнери за сапун.
- Повреди по следните части: стъклокерамични части, аксесоари, кошници за съдове и прибори, захранващи и дрениращи тръби, уплътнения, лампи и капаци за лампи, екрани, ключове, корпуси и части от тях. Освен когато може да се докаже, че тези щети са причинени от производствени дефекти.
- Случаи, в които при посещение на техник не е била открита повреда.
- Ремонти, които не са извършени от нашите доставчици на сервизни услуги и/или упълномощен сервиз с договор за партньор или когато не са използвани оригинални части.
- Ремонти, наложени поради монтаж, който не е извършен правилно или съгласно спецификациите.
- Употреба на уреда извън домашната среда, т.е. професионална употреба.

- Повреди при транспортиране. Ако клиент транспортира продукта до дома си или до друг адрес, IKEA не носи отговорност за никакви повреди, които могат да възникнат по време на транспортирането. Въпреки това, ако продуктът се доставя от IKEA до адреса на клиента, тогава повредите, причинени по време на доставката се покриват от IKEA.
- Разходите за извършването на първоначалния монтаж на уреда IKEA. Но, ако IKEA определи доставчик на услуги или свой упълномощен партньор по ремонтите да ремонтира или замени уреда според условията на тази гаранция, определеният Доставчик на услуги или негов упълномощен партньор повторно монтира уреда или заменения такъв, ако е необходимо.

Тези ограничения не се прилагат при коректна работа, извършена от квалифициран специалист с наши оригинални части с цел привеждане на уреда в съответствие с изискванията за техническа безопасност в друга държава на ЕС.

Как се прилага законодателството на страната

Гаранцията на IKEA ви дава конкретни законови права, които обхващат или превишават всички местни законови искания. Но тези условия не ограничават по никакъв начин потребителските права, предвидени в местното законодателство.

Сфера на действие

За уреди, които са закупени в държава от ЕС и са транспортирани в друга държава от ЕС, услугите се предоставят в рамките на гаранционните условия, обичайни за новата държава.

Задължение за извършване на ремонт в рамките на гаранцията съществува единствено, ако уредът отговаря на и е монтиран в съответствие с:

- Техническите спецификации на държавата, в която е предявен иск по гаранцията;
- Инструкциите за монтаж и информацията за безопасност в Ръководството за употреба.

СЛЕДПРОДАЖБЕНИ сервиси за уреди на IKEA

Не се колебайте да се свържете с определен от IKEA Следпродажбен сервиз:

- за да предявите иск за ремонт по тази гаранция;
- за да поискате разяснения относно монтажа на уреда IKEA в специалните кухненски шкафове на IKEA;
- За да поискате разяснение на функциите на уредите на IKEA.

За да се уверите, че ви предлагаме най-добрата помощ, прочетете внимателно инструкциите за монтаж и/или Ръководството за потребителя преди да се свържете с нас.

Как да се свържете с нас, ако имате нужда от наш сервиз



Телефонните номера на избраните от IKEA доставчици на следпродажбено обслужване са посочени в края на това ръководство.

- ⓘ **За да можем да Ви обслужим по-бързо, препоръчваме да използвате съответните телефонни номера, посочени в това ръководство. Винаги използвайте телефонните номера, посочени в ръководството на съответния уред, за който търсите помощ. Не забравяйте да посочите 8-цифрения номер на артикул и 22-цифрения сериен номер, който ще намерите на информационната табелка на уреда.**

ⓘ ЗАПАЗЕТЕ КАСОВАТА БЕЛЕЖКА!

Тя е вашето доказателство за покупка и се изисква, за да важи гаранцията. В касовата бележка са записани името IKEA и номера на артикула (8-цифров код) за всеки закупен от вас уред.

Имате ли нужда от допълнителна помощ?

За допълнителни въпроси, които не са свързани със следпродажбеното обслужване на вашите уреди, свържете се с най-близкия до вас кол център на магазин IKEA. Препоръчваме Ви да прочетете внимателно документите към уреда, преди да се свържете с нас.

Информация за резервните части

- Следните резервни части: термостати, сензори за температура, печатни платки и лампи ще бъдат доставяни на квалифицирани техници за минимален период от седем години, считано от пускането на последния продукт от този модел на пазара.
- Следните резервни части: дръжки за врати, панти за врати, полици и рафтове ще бъдат доставяни на квалифицирани техници и потребители за минимален период от седем години, а уплътненията на вратите – за минимален период от 10 години, считано от пускането на последния продукт от този модел на пазара.

Резервни части можете да намерите на адрес:

www.ikea.com

Cuprins

Informații privind siguranța	294	Utilizarea zilnică	299
Instrucțiuni de siguranță.....	295	Curățare și întreținere	300
Instalarea	297	Depanare	301
Prima utilizare	298	Informații tehnice	303
Descrierea produsului.....	298	Informații privind mediul înconjurător	303
Funcționarea.....	299	Garanție IKEA.....	304

Informații privind siguranța

Înainte de instalarea și de utilizarea aparatului, citiți cu atenție instrucțiunile furnizate. Producătorul nu este responsabil dacă o instalare sau o utilizare incorecte cauzează răni și daune. Păstrați întotdeauna instrucțiunile împreună cu aparatul pentru consultări ulterioare.

Siguranța copiilor și a persoanelor vulnerabile



AVERTIZARE: Risc de incendiu /
Materiale inflamabile

- Acest aparat poate fi utilizat de către copii cu vârsta minimă de 8 ani și mai mult și de către persoanele cu capacități fizice, senzoriale sau mentale reduse sau fără experiență și cunoștințe în cazul în care acestea sunt supravegheate sau au fost instruite cu privire la utilizarea aparatului într-un mod sigur și înțeleg pericolele implicate. Copiii nu trebuie să se joace cu aparatul. Curățarea și întreținerea dispozitivului nu trebuie să fie realizate de copii nesupravegheați. Supravegheați copiii pentru a vă asigura că aceștia nu se joacă cu aparatul.
- Acest aparat poate fi utilizat de către copiii cu vârsta cuprinsă între 3 și 8 ani și persoanele cu dizabilități foarte extinse și complexe, dacă au fost instruiți corespunzător.
- Copiii cu vârsta sub 3 ani trebuie ținuti departe, cu excepția cazului în care sunt supravegheați continuu.
- Nu lăsați copiii să se joace cu aparatul.

- Copiii nu trebuie să efectueze curățarea și întreținerea aparatului fără supraveghere.
- Copiii cu vârste cuprinse între 3 și 8 ani pot încărca și descărca aparatele frigorifice.
- Păstrați toate ambalajele departe de copii și eliminați-le în mod corespunzător.

Siguranța generală

- Acest aparat este destinat utilizării în medii domestice și alte locuri similare precum:
 - bucătării ale personalului din magazine, birouri și alte medii de lucru;
 - case de fermă și de către clienții din hoteluri, moteluri și alte medii de tip rezidențial;
 - medii de tip cazare și mic dejun;
 - unități de catering și alte unități de lucru, în afară de cele cu distribuție en-detail.
- **AVERTIZARE:** Mențineți libere fantele de ventilație de pe carcasa aparatului sau din structura în care este încorporat.
- **AVERTIZARE:** Nu utilizați dispozitive mecanice sau alte instrumente diferite de cele recomandate de producător pentru a accelera procesul de dezghețare.
- **AVERTIZARE:** Nu deteriorați circuitul frigorific.
- **AVERTIZARE:** Nu utilizați aparate electrice în interiorul compartimentelor de conservare a alimentelor ale aparatului, decât dacă sunt de tipul recomandat de producător.

- **AVERTIZARE:** Nu folosiți apă pulverizată și abur pentru curățarea aparatului.
- **AVERTIZARE:** Curățați aparatul cu o cârpă moale și umedă. Utilizați numai detergenți neutri. Nu folosiți produse abrazive, lavete abrazive, solvenți sau obiecte metalice.
- **AVERTIZARE:** Nu depozitați în aparat substanțe explozive, precum tuburi cu aerosoli și agent propulsor inflamabil.
- **AVERTIZARE:** În cazul în care cablul de alimentare a suferit deteriorări, este necesară înlocuirea sa de către producător, de către centrul de asistență tehnică autorizat sau de către persoane de calificare similară, pentru evitarea oricărui pericol.
- **AVERTIZARE:** Când poziționați acest aparat, asigurați-vă că cablul de alimentare nu este prins între alte obiecte sau deteriorat.
- **AVERTIZARE:** Nu amplasați mai multe prize portabile sau surse de alimentare portabile în partea din spate a aparatului.
- Deschiderea ușii pentru perioade lungi poate provoca o creștere semnificativă a temperaturii în compartimentele aparatului.
- Curățați cu regularitate suprafețele care pot intra în contact cu alimentele și sistemele de drenare accesibile.
- Curățați rezervoarele de apă dacă nu au fost folosite timp de 48 de ore: spălați sistemul de apă conectat la o sursă cu apă dacă apa nu fost extrasă timp de 5 zile.
- Depozitați carnea crudă și peștele în recipiente adecvate la frigider, astfel încât să nu fie în contact cu sau să nu curgă pe alte alimente.
- Dacă aparatul frigorific este lăsat gol timp îndelungat, opriți, dezghețați, curățați, uscați și lăsați ușa deschisă pentru a împiedica dezvoltarea mucegaiului în interiorul aparatului.
- Acest aparat frigorific nu este adecvat pentru congelarea produselor alimentare.
- Acest aparat frigorific nu este destinat utilizării ca aparat încorporat.
- Compartimentele cu două stele pentru alimente congelate sunt potrivite pentru depozitarea alimentelor pre-congelate, depozitarea sau prepararea înghețatei și fabricarea cuburilor de gheață.
- Compartimentele de una, două și trei stele nu sunt potrivite pentru congelarea alimentelor proaspete.
- **AVERTIZARE:** Pentru a evita un pericol din cauza instabilității aparatului, acesta trebuie fixat în conformitate cu instrucțiunile.

Instrucțiuni de siguranță

Instalarea

⚠ AVERTIZARE! Doar o persoană calificată poate instala acest aparat.

- Îndepărtați toate ambalajele.
- Dacă aparatul este deteriorat, nu îl instalați și nu îl utilizați.
- Urmați instrucțiunile de instalare furnizate împreună cu aparatul.
- Aveți întotdeauna grijă atunci când mutați aparatul deoarece este greu. Utilizați întotdeauna mănuși de siguranță și încălțăminte inclusă.
- Aveți grijă să nu deteriorați podelele (de exemplu, parchetul) atunci când mutați aparatul.
- Asigurați-vă că aparatul nu se află în apropierea unei surse de căldură.
- Instalați și nivelați aparatul pe o podea suficient de rezistentă pentru a-i suporta greutatea și într-un loc adecvat dimensiunilor și utilizării sale.
- Asigurați-vă că nu este împiedicată circulația aerului în jurul aparatului.
- La prima instalare sau după inversarea ușii așteptați cel puțin 4 ore înainte de a conecta aparatul la sursa de alimentare. Astfel, permiteți returul uleiului în compresor.
- Înainte de a efectua orice operațiuni asupra aparatului (de exemplu, inversarea ușii), scoateți ștecherul din priză.
- Spatele aparatului trebuie să fie orientat spre perete.
- Nu instalați aparatul într-un loc expus luminii solare directe.
- Nu instalați acest aparat în zone prea umede sau prea reci, precum pivnițe de vinuri.

Conectarea electrică

⚠️ AVERTIZARE! Risc de incendiu și de electrocutare.

⚠️ AVERTIZARE! Când poziționați acest aparat, asigurați-vă că cablul de alimentare nu este prins între alte obiecte sau deteriorat.

⚠️ AVERTIZARE! Nu folosiți adaptoare cu prize multiple sau cabluri prelungitoare.

- Aparatul trebuie să fie împământat.
- Asigurați-vă că parametrii de pe placa de evaluare sunt compatibili cu indicațiile electrice ale sursei de alimentare a rețelei.
- Folosiți întotdeauna o priză cu protecție la electrocutare corect instalată.
- Procedați cu atenție pentru a nu deteriora componentele electrice (de ex. ștecărul, cablul de alimentare electrică, compresorul). Pentru înlocuirea componentelor electrice, contactați centrul de asistență tehnică autorizat sau un electrician.
- Cablul trebuie să se afle sub nivelul ștecărului.
- Introduceți ștecărul în priză numai după încheierea procedurii de instalare. Asigurați-vă că priza poate fi accesată după instalare.
- Nu trageți de cablul de alimentare pentru a scoate din priză aparatul. Trageți întotdeauna de ștecăr.
- Numai Marea Britanie și Irlanda:
Acest aparat este echipat cu o priză de alimentare de 13 A. Dacă este necesară schimbarea siguranței din ștecher, folosiți doar o siguranță de 13 A ASTA (BS 1362).

Utilizarea

⚠️ AVERTIZARE! Risc de rănire, arsuri, electrocutare sau incendiu.



Tuburile circuitului de refrigerare conțin o cantitate mică de agent frigorific R600a, ecologic, dar inflamabil. Nu afectează stratul de ozon și nu crește efectul de seră. În cazul în care se scurge agent frigorific, acesta vă poate răni ochii sau se poate aprinde. Nu deteriorați tuburile.

- Suprafața compresorului se poate încinge în condiții de funcționare normale. Nu o atingeți cu mâinile.
- Nu modificați specificațiile acestui aparat.
- Nu așezați aparate electrice (de exemplu, mașini de făcut înghețată) în aparat, cu excepția cazului în care acestea sunt declarate aplicabile de către producător.
- Dacă circuitul frigorific suferă deteriorări, asigurați-vă că nu există flăcări și surse de aprindere în încăpere. Aerisiți încăperea.
- Nu lăsați obiectele fierbinți să intre în contact cu piesele din plastic ale aparatului.

- Nu depozitați băuturi îmbuteliate în compartimentul de congelare pentru a preveni spargerea sau alte pierderi.
- Nu păstrați gaze sau lichide inflamabile în aparat.
- Produsele inflamabile sau obiectele umezite cu produse inflamabile nu trebuie introduse în aparat, nici așezate alături sau deasupra acestuia.
- Nu atingeți compresorul sau condensatorul. Acestea sunt fierbinți.
- Nu scoateți și nu atingeți obiecte din compartimentul pentru alimente congelate dacă aveți mâinile ude sau umede.
- Nu înghețați conținutul (netoxic) al pachetelor de gheață.
- Nu mâncați cuburi de gheață sau acadele de gheață imediat după ce le-ați scos din congelator, deoarece acestea pot provoca arsuri de frig.
- Alimentele dezghețate nu trebuie puse înapoi în compartimentul pentru alimente congelate.
- Urmați instrucțiunile de păstrare de pe ambalajul produselor alimentare.

Iluminat interior

⚠️ AVERTIZARE! Pericol de electrocutare.

- Becul utilizat în interiorul aparatului este conceput special pentru aparatele de uz casnic și nu este potrivit pentru iluminatul general al încăperilor din locuință ((UE) 2019/2020).

Îngrijirea și curățarea

⚠️ AVERTIZARE! Risc de rănire personală și deteriorare a aparatului.

- Înainte de a curăța aparatul, deconectați-l și scoateți ștecărul din priză.
- Acest aparat conține hidrocarburi în unitatea de răcire. Doar o persoană calificată poate efectua întreținerea și reîncărcarea unității.
- Verificați regulat orificiul de scurgere al aparatului și curățați-l dacă este cazul. Dacă scurgerea este blocată, apa dezghețată se va acumula în partea de jos a aparatului.

Reparații

- Pentru a repara aparatul, contactați un Centru de service autorizat menționat la sfârșitul acestui manual.
- Folosiți numai piese de schimb originale.

Eliminarea

⚠️ AVERTIZARE! Risc de rănire sau de sufocare.

- Deconectați aparatul de la sursa de alimentare.
- Tăiați cablul electric și îndepărtați-l.
- Scoateți ușile pentru a preveni închiderea copiilor sau a animalelor de companie în aparat.
- Circuitul agentului frigorific și materialele izolante ale acestui aparat sunt prietenoase cu ozonul.

- Spuma izolatoare conține gaze inflamabile. Luați legătura cu autoritățile municipale pentru informații privind eliminarea corectă a aparatului.
- Nu deteriorați partea din unitatea de răcire aflată cel mai aproape de schimbătorul de căldură.

Instalarea

⚠ AVERTIZARE! Înainte de a instala aparatul, citiți cu atenție informațiile de siguranță din această broșură.

Lista de verificare a instalării

Ușa

- Ușa dulapului se închide complet pe toate părțile
- Ușa e dreaptă

Nivelare

- Frigiderul este nivelat

Energie electrică

- Așteptați 4 ore
- Puterea carcasei este pornită
- Frigider conectat la priză

Verificări finale

- Materialul de expediere este eliminat
- Setați temperatura frigiderului

Poziționarea

- Urmați instrucțiunile de asamblare separate pentru a instala acest aparat.
- Instalați acest aparat într-un loc în care temperatura ambiantă corespunde clasei climatice indicate pe plăcuța de identificare a aparatului. Acest lucru asigură funcționarea corectă a aparatului. Explicația claselor climatice este următoarea:

Clasa climatică	Intervalul de temperatură ambiantă
SN	+10 °C până la +32 °C
N	+16 °C până la +32 °C
ST	+16 °C până la +38 °C
T	+16 °C până la +43 °C

- „SN” indică faptul că acest aparat frigorific este destinat utilizării la temperaturi ambiante cuprinse între 10 °C și 32 °C.
- „N” indică faptul că acest aparat frigorific este destinat utilizării la temperaturi ambiante cuprinse între 16 °C și 32 °C.
- „ST” indică faptul că acest aparat frigorific este destinat utilizării la temperaturi ambiante cuprinse între 16 °C și 38 °C.
- „T” indică faptul că acest aparat frigorific este destinat utilizării la temperaturi ambiante cuprinse între 16 °C și 43 °C.

Producătorul își declină orice răspundere pentru rănirea persoanelor sau a animalelor sau pentru deteriorarea proprietății în cazul în care nu sunt respectate sfaturile și precauțiile de mai sus.

i Pentru unele modele de aparate, pot apărea unele probleme de funcționare atunci când acestea funcționează în afara intervalelor de temperatură specificate. Funcționarea corectă poate fi garantată numai în intervalurile de temperatură specificate.

În cazul în care aveți îndoieli cu privire la instalare, vă rugăm să vă adresați vânzătorului, serviciului nostru pentru clienți sau celui mai apropiat centru de service autorizat.

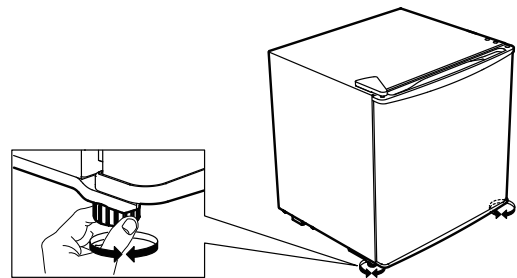
Locul de instalare

Pentru a asigura performanțe optime, instalați aparatul departe de surse de căldură, precum calorifere, boilere, și lumină solară directă. Aerul trebuie să poată circula liber în spatele aparatului.

Nivelarea aparatului

Dacă aparatul este înclinat într-o parte, reglați cele două picioare ale aparatului, pentru a nivela aparatul. Consultați Instrucțiunile de asamblare separate pentru instrucțiuni detaliate.

1. Deconectați fișa de alimentare a aparatului de la priza de alimentare.
2. Rotiți piciorul în sensul acelor de ceasornic pentru a ridica aparatul. Rotiți piciorul în sensul contrar acelor de ceasornic pentru a coborî aparatul.



Curățarea aparatului

Înainte de a utiliza aparatul pentru prima dată, curățați aparatul pentru a elimina mirosul tipic al unui produs nou.

1. Asigurați-vă că aparatul este deconectat de la sursa de alimentare.
2. Ștergeți interiorul cu o cârpă moale, umezită.
3. Spălați accesoriile interne cu apă caldă și săpun neutru, apoi uscați-le bine.

ATENȚIE!

Nu utilizați agenți de curățare sau solvenți abrazivi, clorurați sau acizi.

- Nu folosiți bureți de lustruit sau abrazivi. Suprafețele metalice se pot coroda.
- Nu curățați accesoriile în mașina de spălat vase. Acestea se pot deforma.

Conectarea electrică

ATENȚIE! Orice lucrare electrică necesară pentru instalarea acestui aparat trebuie efectuată de un electrician calificat sau de o persoană competentă.

AVERTIZARE! Acest aparat trebuie să fie împământat. Nerespectarea acestor instrucțiuni poate avea ca rezultat decesul, incendii sau electrocutarea.

Producătorul își declină orice răspundere în cazul în care aceste măsuri de siguranță nu sunt respectate. Acest dispozitiv este în conformitate cu Directivele CEE.

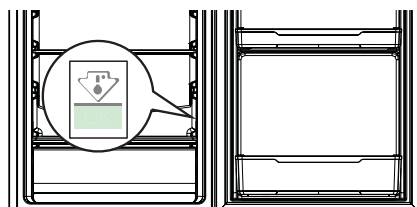
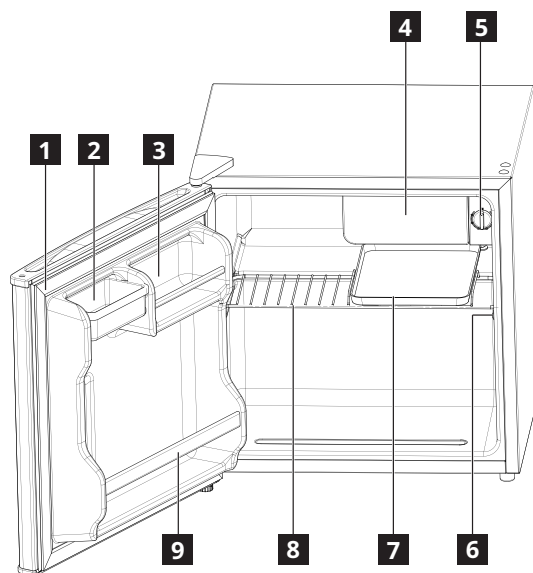
Prima utilizare

Conectați aparatul la sursa de alimentare. Temperaturile ideale de păstrare a alimentelor sunt deja setate din fabrică (intermediare).

Observație: După ce este pornit, aparatul are nevoie de 4-5 ore pentru a atinge temperatura corectă pentru a stoca un volum tipic de alimente.

Important!

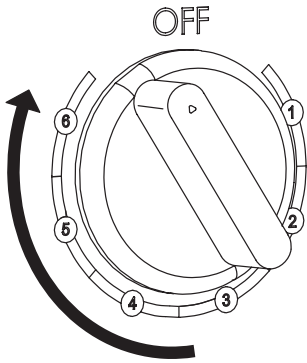
În conformitate cu reglementările din unele țări, acesta trebuie să fie prevăzut cu un dispozitiv special (vezi figura de mai jos) plasat în compartimentul inferior al frigiderului aparatului pentru a indica zona cea mai rece a acestuia.

**Descrierea produsului**

- 1** Garnitură pentru ușă
- 2** Cutie de depozitare
- 3** Suport conserve
- 4** Compartiment răcire

- 5** Regulator temperatură
- 6** Plăcuță cu date tehnice
- 7** Tavă colectoare
- 8** Raft
- 9** Suport sticle

Funcționarea



Pornirea

Conectați ștecherul la o priză și reglați temperatura. Aparatul pornește și începe să funcționeze.

Reglarea temperaturii

Temperatura este reglată automat.

Pentru a regla temperatura:

- Întoarceți regulatorul de temperatură spre o setare mai mică pentru a reduce răcirea.
- Întoarceți regulatorul de temperatură spre o setare mai mare pentru a mări răcirea temperaturii.

ⓘ În general, setarea medie este cea mai potrivită.

Reglați setarea temperaturii ținând cont de faptul că temperatura din interiorul aparatului depinde de:

- temperatura camerei
- cât de des este deschisă ușa
- cantitatea de alimente introduse
- amplasarea aparatului

Important! Dacă temperatura din încăperea este mare sau dacă aparatul este complet încărcat și este setat pe temperaturile cele mai joase, acesta poate funcționa în mod continuu, iar pe peretele din spate se formează brumă. În acest caz, trebuie setată o temperatură mai ridicată pentru a permite dezghețarea automată și, prin urmare, reducerea consumului de energie.

Sfaturi:

- Cu cât temperatura setată este mai scăzută, cu atât mai mult timp puteți păstra în siguranță alimentele și cu atât mai multă energie electrică consumă aparatul.
- Cu cât temperatura setată este mai ridicată, cu atât alimentele depozitate se descompun mai repede și cu atât mai puțin curent electric consumă aparatul.

Oprirea

Pentru a opri aparatul, rotiți butonul de reglare a temperaturii pentru a indica poziția „OFF” și apoi deconectați ștecherul de la priză.

Utilizarea zilnică

Recomandări pentru conservarea alimentelor proaspete

- Acoperiți sau înfășurați alimentele, în special dacă au un miros intens.
- Poziționați alimentele astfel încât aerul să poată circula liber în jurul lor.
- Pentru cea mai bună performanță, lăsați suficient spațiu în compartimentul frigiderului pentru ca aerul să circule în jurul ambalajelor. De asemenea, creați suficient spațiu în față, în așa fel încât ușa să se închidă ferm.
- Nu depozitați în frigider alimente calde sau lichide care se evaporă.
- Alimente gătită și mâncăruri reci: acoperiți și plasați pe orice raft.
- Fructe și legume: spălați-le bine și puneți-le în sertarul pentru legume. Bananele, cartofii, ceapa și usturoiul nu trebuie păstrate la frigider dacă nu sunt ambalate.
- Unt și brânză: puneți-le într-un recipient etanș special sau înveliți-le într-o folie de aluminiu sau într-o pungă de polietilenă pentru a exclude cât mai mult aer posibil.

- Sticlele: se închid cu capace și se pun pe balcoanele ușilor.

Sfaturi privind economisirea energiei

- Instalați aparatul într-o încăperea uscată, bine ventilată, departe de orice sursă de căldură (de exemplu, radiator, aragaz etc.) și într-un loc care nu este expus direct la soare. Dacă este necesar, utilizați o placă izolatoare.
- Pentru a garanta o ventilație adecvată, urmați instrucțiunile de instalare.
- Ventilația insuficientă pe partea din spate a produsului crește consumul de energie și scade eficiența de răcire.
- Temperaturile interne ale aparatului pot fi influențate de temperatura ambiantă, de frecvența deschiderii ușii, precum și de amplasarea aparatului. Setarea temperaturii trebuie să ia în considerare acești factori.
- Lăsați alimentele și băuturile calde să se răcească înainte de a le introduce în aparat.
- Nu obstrucționați ventilatorul (dacă este disponibil) cu alimente.

- După ce puneți sau scoateți alimentele, asigurați-vă că închideți bine ușa, în special ușa congelatorului.
- Reduceți la minimum deschiderea ușii.
- Când decongeleți alimente congelate, puneți-le în frigider. Temperatura scăzută a produselor congelate răcește alimentele din frigider.
- Poziționarea rafturilor în frigider nu are niciun impact asupra utilizării eficiente a energiei. Alimentele trebuie așezate pe rafturi în așa fel încât să asigure o circulație adecvată a aerului (alimentele nu trebuie să se atingă între ele și trebuie păstrată o distanță între alimente și peretele din spate).
- Garniturile deteriorate trebuie înlocuite cât mai curând posibil.

Curățare și întreținere

Sfaturi generale

- Curățați periodic aparatul cu o cârpă și o soluție de apă caldă și detergent neutru special conceput pentru interiorul frigiderului. Nu utilizați detergenți sau unelte abrazive.
- Înainte de a efectua lucrări de întreținere sau de curățare a aparatului, scoateți-l din priză sau deconectați-l de la rețeaua electrică.

ATENȚIE! Accesoriile frigiderului nu trebuie să fie introduse în mașina de spălat vase.

Dezghețarea aparatului

- Dezghețați aparatul ori de câte ori stratul de îngheț de pe suprafața evaporatorului devine de 3-4 mm grosime.
- Înainte de decongelare, scoateți toate alimentele și opriți aparatul. Plasați tava colectoare sub evaporator pentru a aduna bruma topită.
- După ce s-a topit toată bruma, turnați apa topită, uscați interiorul aparatului cu o cârpă uscată și porniți aparatul din nou.

Dacă nu utilizați aparatul pentru o perioadă prelungită de timp

1. Opriți aparatul.
2. Deconectați aparatul de la sursa de alimentare.
3. Scoateți toate alimentele.
4. Dezghețați și curățați aparatul.
5. Lăsați ușile deschise doar atât cât să permită aerului să circule în interiorul compartimentelor. Acest lucru va preveni formarea mucegaiului și a mirosurilor neplăcute.

În caz de întrerupere a alimentării cu energie electrică

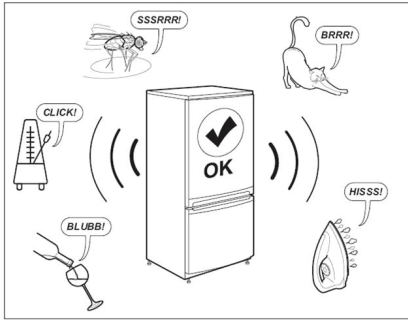
- Păstrați ușile aparatului închise. Acest lucru va permite alimentelor să rămână reci cât mai mult timp posibil.

Depanare

Problema	Cauza posibilă	Soluția
Aparatul nu funcționează.	Aparatul este oprit.	Porniți aparatul.
	Ștecărul nu este introdus corect în priză.	Introduceți ștecărul corect în priză.
	Nu există tensiune la priză.	Pentru a afla dacă priza de rețea funcționează, conectați la aceasta un alt aparat electric. Contactați un electrician calificat pentru a repara priza.
Aparatul face zgomot.	Aparatul nu este plasat stabil.	Nivelați aparatul. Consultați „Nivelarea aparatului” sau Instrucțiunile separate de asamblare.
Compresorul funcționează continuu.	Temperatura setată este prea mică.	Setați o temperatură mai mare. Consultați „Funcționarea”.
	Multe produse alimentare au fost introduse în același timp.	Așteptați câteva ore și apoi verificați din nou temperatura.
	Temperatura camerei este prea mare.	Repoziționați aparatul, dacă este posibil. Consultați „Poziționare”.
	Alimentele introduse în aparat erau prea calde.	Lăsați alimentele să se răcească la temperatura camerei înainte de a le pune la rece.
	Ușa nu e închisă corect.	Consultați secțiunea „Închiderea ușii”.
Temperatura din aparat este prea mică/prea mare.	Temperatura nu a fost setată corect.	Setați o temperatură mai mare/mai mică.
	Ușa nu e închisă corect.	Consultați secțiunea „Închiderea ușii”.
	Alimentele introduse în aparat erau prea calde.	Lăsați alimentele să se răcească la temperatura camerei înainte de a le pune la rece.
	Multe produse alimentare au fost introduse în același timp.	Introduceți mai puține produse alimentare în același timp.
	Grosimea stratului de brumă depășește 4-5 mm.	Dezghețați aparatul.
	Ușa a fost deschisă prea des.	Deschideți ușa doar dacă este necesar.
	Nu există circulație de aer rece suficient în aparat.	Repoziționați alimentele astfel încât aerul să poată circula liber în aparat.
Ușa nu se închide complet.	Consultați secțiunea „Închiderea ușii”.	Consultați secțiunea „Închiderea ușii”.

Zgomote normale

Este normal ca sistemul de refrigerare să producă unele zgomote, cum ar fi gălgâieli și suierături.



Închiderea ușii

Probleme	Ațiuni
Garniturile ușii sunt murdare.	Curățați-le.
Garniturile ușilor sunt deteriorate.	Contactați serviciul post-vânzare pentru a le înlocui.
Ușa este blocată de rafturi, sertare, produse alimentare etc.	Poziționați corect sau îndepărtați obiectele care blochează ușa.
Aparatul nu stă drept.	Nivelați aparatul. Consultați „Nivelarea aparatului” sau Instrucțiunile separate de asamblare.
Ușa nu este aliniată cu dulapul.	Ajustați ușa. Consultați Instrucțiunile de asamblare separate.

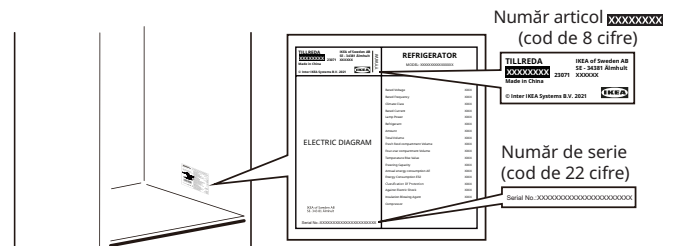
Înainte de a contacta serviciul post-vânzare:

Reporniți aparatul pentru a vedea dacă defecțiunea a fost remediată. Dacă persistă, opriți din nou aparatul și repetați operațiunea după o oră.

În cazul în care aparatul dvs. nu funcționează în continuare corespunzător după efectuarea verificărilor enumerate în ghidul de depanare și după ce ați pornit din nou aparatul, contactați serviciul post-vânzare, explicând clar problema și precizând:

- natura problemei
- data achiziției
- modelul și numărul de serie al aparatului

❗ Numărul articolului și numărul de serie sunt indicate pe plăcuța nominală din partea stângă internă a aparatului.



Imagine doar pentru referință


Informații tehnice

Categoria produsului	
Tip de produs	Frigider
Tip de instalare	În picioare
Dimensiunile produsului	
Înălțime	492 mm
Lățime	472 mm
Adâncime	450 mm
Volum net	
Frigider	43,0 L
Sistemul de dezghețare	
Frigider	Manual
Alte specificații	
Clasificare cu stele	N/A
Timp de creștere a temperaturii	N/A
Consum de energie	80 kWh/an
Nivel acustic	41 dB(A)
Clasa de energie	E
Tensiune nominală	220 - 240 V~
Frecvență nominală	50 Hz
Sursa de lumină din clasa de eficiență energetică	N/A

Observație: Informațiile despre produs din baza de date a produsului pot fi accesate prin scanarea codului QR de pe eticheta EPREL.

Informații privind mediul înconjurător


1. Materialele de ambalaj

Materialele reciclabile sunt marcate cu simbolul . Puneți materialele de ambalare în recipiente relevante pentru a le recicla.

Păstrați materialele de ambalare (pungi de plastic, piese de polistiren etc.) departe de copiii, deoarece acestea reprezintă o sursă potențială de pericol.

2. Casare/eliminare

Aparatul este fabricat folosind materiale reciclabile. Acest aparat este marcat în conformitate cu Directiva europeană 2002/96/CE privind deșeurile de echipamente electrice și electronice (WEEE). Prin asigurarea eliminării corecte a acestui aparat, puteți contribui la prevenirea unor consecințe potențial negative pentru mediu și sănătatea umană.

Simbolul  de pe aparat sau de pe documentele

de însoțire indică faptul că acest aparat nu trebuie tratat ca deșeu menajer, ci trebuie dus la un centru de colectare special pentru reciclarea echipamentelor electrice și electronice. Când scoateți aparatul din uz, faceți-l inutilizabil prin tăierea cablului de alimentare și prin îndepărtarea ușilor și a rafturilor, astfel încât copiii să nu se poată urca cu ușurință înăuntru și să rămână blocați.

Dezmembrați aparatul în conformitate cu reglementările locale privind eliminarea deșeurilor, ducându-l la un centru de colectare special amenajat; nu lăsați aparatul nesupravegheat nici măcar pentru câteva zile, deoarece reprezintă o sursă potențială de pericol pentru copii.

Pentru informații suplimentare privind tratarea, recuperarea și reciclarea acestui produs, contactați biroul local competent, serviciul de colectare a deșeurilor menajere sau magazinul de unde ați cumpărat aparatul.

Declarație de conformitate

- Acest aparat a fost proiectat pentru conservarea alimentelor și este fabricat în conformitate cu Regulamentul (CE) nr. 1935/2004.



- Acest aparat a fost proiectat, fabricat și comercializat în conformitate cu:
 - obiectivele de siguranță ale Directivei „Joasă tensiune” 2014/35/UE (care înlocuiește 2006/95/CE și modificările ulterioare);

- cerințele de protecție ale Directivei „EMC” 2014/30/UE.
- Acest aparat a fost proiectat, fabricat și comercializat în conformitate cu:
 - Reglementări privind compatibilitatea electromagnetică 2016
 - Reglementări privind echipamentele electrice (siguranță) 2016



Garanție IKEA

Cât timp este valabilă garanția IKEA?

Această garanție este valabilă timp de **2 ani** de la data achiziției, cu excepția cazului în care legislația națională prevede altfel. În Norvegia, Portugalia și Spania, garanția este valabilă timp de 3 ani de la data livrării către client, cu excepția cazului în care legislația națională prevede altfel. Bonul inițial de cumpărare este necesar ca dovadă a cumpărării. Dacă se efectuează reparații în timpul garanției, acest lucru nu va extinde perioada de garanție pentru aparat.

Cine va furniza asistență?

Furnizorul de servicii IKEA va furniza serviciul prin propriile operațiuni de service sau prin rețeaua de parteneri autorizați.

Ce anume acoperă această garanție?

Această garanție acoperă defecțiunile aparatului, care au fost cauzate de defecte din fabricație sau de defecțiuni ale materialului, apărute de la data cumpărării de la IKEA. Această garanție se aplică numai pentru uzul casnic. Excepțiile sunt specificate sub titlul “Ce anume nu este acoperit de această garanție?” În timpul perioadei de garanție, costurile pentru remedierea defecțiunilor, de ex. reparații, piese, manoperă și deplasare, vor fi acoperite, cu condiția ca aparatul să fie accesibil pentru reparații fără cheltuieli speciale. În aceste condiții, se aplică orientările UE (Nr. 99/44/EG) și reglementările locale respective. Piesele înlocuite devin proprietatea firmei IKEA.

Ce va face IKEA pentru a remedia problema?

Furnizorul de servicii desemnat de IKEA va examina produsul și va decide, la discreția sa, dacă acesta este acoperit de această garanție. Dacă este considerat acoperit, furnizorul de servicii IKEA sau partenerul său de service autorizat prin propriile operațiuni de service, va repara produsul defect sau îl va înlocui cu același produs sau cu un produs comparabil.

Ce anume nu este acoperit de această garanție?

- Uzura normală.
- Deteriorările deliberate sau din neglijență, deteriorările cauzate de nerespectarea instrucțiunilor de funcționare, instalarea incorectă sau conectarea la o sursă de curent necorespunzătoare, deteriorările cauzate de reacții chimice sau electrochimice, deteriorările provocate de rugină, coroziune sau apă, și inclusiv, dar nu limitat la acestea, deteriorările cauzate de conținutul excesiv de calcar din apa de alimentare, deteriorările cauzate de condițiile de mediu anormale.
- Piese consumabile, inclusiv bateriile și becurile.
- Piese nefuncționale și decorative, care nu afectează utilizarea normală a aparatului, inclusiv zgârieturile și posibilele diferențe de culoare.
- Deteriorările accidentale cauzate de obiecte sau substanțe străine și de curățarea sau desfundarea filtrelor, a sistemelor de evacuare sau a sertarelor pentru detergent.
- Deteriorarea următoarelor piese: vitroceramică, accesorii, coșurile de vase și de tacâmuri, țevile de alimentare și de evacuare, garnituri de etanșare, becuri și capace de becuri, ecrane, butoane, carcase și piese ale carcaselor. În afară de cazul în care se poate demonstra că aceste deteriorări se datorează defectelor de fabricație.
- Cazuri în care nu a putut fi găsită nicio defecțiune în timpul vizitei unui tehnician.
- Reparațiile care nu au fost executate de furnizorii de asistență desemnați de noi și/sau de un partener contractual autorizat pentru asistență, sau pentru care s-au folosit piese de schimb neoriginale.
- Reparațiile cauzate de o instalare defectuoasă sau care nu este conformă cu specificațiile.
- Utilizarea aparatului în mediu non-casnic, de ex. utilizarea profesională.

- Deteriorarea datorată transportului. În cazul în care clientul transportă produsul acasă la el sau la o altă adresă, compania IKEA nu este răspunzătoare pentru deteriorările cauzate în timpul transportului. Totuși, dacă IKEA livrează produsul la adresa indicată de client, atunci deteriorarea produsului care poate apărea în timpul livrării este acoperită de IKEA.
- Costurile pentru efectuarea instalării inițiale a aparatului IKEA. Totuși, dacă un furnizor de asistență IKEA sau un partener autorizat pentru asistență repară sau înlocuiește aparatul în cadrul acestei garanții, furnizorul de asistență sau partenerul autorizat pentru asistență va reinstala aparatul reparat sau va instala aparatul înlocuit, dacă este necesar.

Aceste restricții nu se aplică muncii fără defecte efectuate de un specialist calificat care utilizează piesele noastre originale pentru a adapta aparatul la specificațiile tehnice de siguranță ale unei alte țări din UE.

Cum se aplică legea din țara de utilizare

Garanția IKEA vă acordă drepturi legale specifice, care acoperă sau depășesc cerințele tuturor legilor locale. În orice caz, aceste condiții nu limitează în niciun mod drepturile consumatorilor, prevăzute de legislația locală.

Zona de validitate

Pentru aparatele care sunt cumpărate într-o țară a UE și sunt duse în altă țară a UE, asistența va fi furnizată în cadrul condițiilor de garanție normale în noua țară. Obligația de a asigura asistența în cadrul garanției există doar dacă aparatul respectă și este instalat în conformitate cu:

- specificațiile tehnice din țara în care se solicită cererea de garanție;
- Instrucțiunile de Asamblare și Informațiile privind siguranța din Manualul de utilizare.

Serviciul POST-VÂNZARE dedicat pentru aparatele IKEA

Nu ezitați să contactați furnizorul de servicii post-vânzare desemnat de IKEA pentru:

- a face o solicitare de servicii în condițiile acestei garanții;
- cere clarificări cu privire la instalarea aparatului IKEA în mobilierul de bucătărie dedicat IKEA;
- a cere lămuriri despre funcțiile aparatelor IKEA.

Pentru a vă putea asigura cea mai bună asistență, vă rugăm să citiți cu atenție Instrucțiunile de Asamblare și/sau Manualul Utilizatorului, înainte de a ne contacta.

Cum ne puteți contacta dacă aveți nevoie de asistența noastră



Puteți găsi numerele de telefon ale furnizorilor de servicii post-vânzare desemnați de IKEA la sfârșitul acestui manual.

- ❗ **Pentru a beneficia mai rapid de service, vă recomandăm să utilizați numerele de telefon specificate în acest manual. Consultați întotdeauna numerele enumerate în broșura aparatului specific. Aveți nevoie de asistență pentru. Nu uitați să furnizați numărul de articol din 8 cifre și numărul de serie din 22 de cifre indicate pe plăcuța de identificare a aparatului dumneavoastră.**

- ❗ **PĂSTRAȚI BONUL DE CUMPĂRARE!** Este dovada dvs. de cumpărare și este necesar pentru aplicarea garanției. Pe chitanță se găsește numele IKEA și numărul articolului (un cod de 8 cifre) pentru fiecare dintre articolele pe care le-ați cumpărat.

Ai nevoie de ajutor suplimentar?

Dacă aveți întrebări suplimentare care nu au legătură cu Serviciul de Asistență Tehnică pentru aparatele dvs., vă rugăm să contactați call-centerul celui mai apropiat magazin IKEA. Vă recomandăm să citiți cu atenție documentația aparatului înainte de a ne contacta.

Informații privind piesele de schimb

- Următoarele piese de schimb: termostate, senzori de temperatură, circuite imprimare și surse de lumină, vor fi disponibile pentru reparatorii profesioniști pentru o perioadă minimă de șapte ani, după introducerea pe piață a ultimei unități a modelului respectiv.
- Următoarele piese de schimb: mânere de ușă, balamale de ușă, tăvi și coșuri vor fi disponibile pentru reparatorii profesioniști și utilizatorii finali pentru o perioadă minimă de șapte ani, iar garniturile de ușă pentru o perioadă minimă de 10 ani, după introducerea pe piață a ultimei unități a modelului.

Piesele de schimb pot fi găsite pe: www.ikea.com

Tartalom

Biztonsági tudnivalók.....	306	Napi használat.....	311
Biztonsági előírások	307	Tisztítás és karbantartás	311
Üzembe helyezés	309	Hibaelhárítás	312
Első használatba vétel	310	Műszaki adatok	314
Termékleírás	310	Környezetvédelmi megfontolások.....	314
Kezelés	310	IKEA jótállás	315

Biztonsági tudnivalók

A készülék üzembe helyezése és használatba vétele előtt figyelmesen olvassa el ezeket az utasításokat. A gyártó nem tehető felelőssé a helytelen telepítés és használat okozta sérülésekért vagy anyagi károkért. Őrizze meg ezeket az utasításokat későbbi referencia céljából.

Gyermekek és sérülékeny személyek biztonsága



FIGYELMEZTETÉS:

Tűzveszély / gyúlékony anyagok

- Ezt a készüléket 8 évnél idősebb gyermekek, valamint fizikai, érzékszervi vagy mentális sérüléssel rendelkező személyek vagy a megfelelő tapasztalattal és tudással nem rendelkező személyek akkor használhatják, ha egy másik személy felügyeli őket, vagy ha el lettek látva a készülék biztonságos használatára vonatkozó utasításokkal, és megértették a használatból járó veszélyeket. Gyermekek ne játsszanak a készülékkel. Gyermekek nem tisztíthatják és nem tarthatják karban a készüléket felügyelet nélkül. Ügyelni kell arra, hogy gyermekek ne játszassanak a készülékkel.
- 3 és 8 év közötti gyermekek, valamint kiterjedt és összetett fogvatékosággal élők csak megfelelő kioktatás után használhatják a készüléket.
- 3 évesnél fiatalabb gyermekek csak folyamatos felügyelettel használhatják a készüléket.
- Ne engedje, hogy a gyermekek játszanak a készülékkel.

- Gyermekek csak felügyelettel végezhetik a készülék tisztítását és felhasználói karbantartását.
- 3 és 8 év közötti gyermekek csak felügyelettel helyezhetnek élelmiszert a hűtőszekrénybe, vagy vehetnek ki onnan.
- A csomagolóanyagokat tartsa a gyerekektől távol és gondoskodjon a megfelelő hulladékkezelésükről.

Általános biztonság

- Ez a készülék háztartási célra, illetve ahhoz hasonló körülmények között használható, pl.:
 - műhelyek, irodák és egyéb munkahelyek dolgozói számára kialakított konyhában;
 - hétvégi házakban, szállodákban, motelekben vagy egyéb lakóhelyeken;
 - panziókban;
 - étkeztetési és hasonló, nem kereskedelmi alkalmazásokban.
- FIGYELMEZTETÉS:** A berendezés burkolatán vagy beépített szerkezetében lévő szellőzőnyílások mindig legyenek akadálymentesek.
- FIGYELMEZTETÉS:** Csak olyan mechanikus vagy más eszközöket használjon a jégeltelési folyamat felgyorsítására, amelyet a gyártó javasol.
- FIGYELMEZTETÉS:** Ne sértse meg a hűtőkört.
- FIGYELMEZTETÉS:** A készülék ételtároló terében csak olyan típusú elektromos berendezéseket használjon, amelyeket a gyártó javasol.

- **FIGYELMEZTETÉS:** Ne tisztítsa a készüléket vízpermettel és gőzzel.
- **FIGYELMEZTETÉS:** A készüléket nedves, puha ruhával tisztítsa. Csak semleges tisztítószereket használjon. Ne használjon súrolószert, dörzsszivacsot, oldószert vagy fémtárgyat.
- **FIGYELMEZTETÉS:** Ne tároljon a készülékben robbanékony anyagokat, pl. gyúlékony hajtóanyagot tartalmazó aeroszoltartályokat.
- **FIGYELMEZTETÉS:** Ha a tápkábel sérült, a kockázat elkerülése érdekében ki kell cseréltetni a gyártóval vagy annak hivatalos szervizével, vagy egy hasonlóan képzett szakemberrel.
- **FIGYELMEZTETÉS:** A készülék felállításakor ügyeljen arra, hogy a hálózati kábel ne akadjon be és ne sérüljön meg.
- **FIGYELMEZTETÉS:** A készülék háta mögött ne helyezzen el hosszabbítót vagy hordozható áramforrást.
- Ha hosszabb ideig nyitva hagyja az ajtót, akkor a készülék belsejében megnő a hőmérséklet.
- Az élelmiszerrel érintkező felületeket és a hozzáférhető vízelvezető rendszereket gyakran tisztítsa.
- Ha 48 óráig nem használta, akkor tisztítsa meg a víztartályokat; ha 5 napig nem használta a vízadagolót, akkor öblítse át a vízellátásra csatlakozó vízrendszert.
- A nyers húst és halat megfelelő dobozokban tegye a hűtőszekrénybe, hogy ne érintkezessen más élelmiszerrel és ne csöpögessen rá.
- Ha a hűtőkészülék hosszabb ideig üresen áll, akkor kapcsolja ki, jégtelenítse, tisztítsa ki, szárítsa meg, és az ajtót hagyja nyitva, hogy a belsejében ne keletkezessen penész.
- Ez a hűtőkészülék élelmiszerek fagyasztására nem alkalmas.
- Ez a hűtőkészülék beépítésre nem alkalmas.
- A kétcsillagos fagyasztórekeszekben előfagyasztott élelmiszert, jégkrémet lehet tárolni és jégkockát lehet készíteni.
- Az egy-, két- és háromcsillagos rekeszek friss élelmiszer lefagyasztására nem alkalmasak.
- **FIGYELMEZTETÉS:** A készüléket az utasításoknak megfelelően rögzíteni kell, hogy az instabilitása ne jelenthessen veszélyt.

Biztonsági előírások

Üzembe helyezés

- ▲ **FIGYELMEZTETÉS!** A készüléket csak képzett szerelő állíthatja fel.
- Távolítson el minden csomagolóanyagot.
- Ha a készülék sérült, ne helyezze üzembe és ne használja.
- Kövesse a készülékkel szállított telepítési útmutató utasításait.
- A készüléket mindig óvatosan mozgassa, mert nehéz. Mindig viseljen védőkesztyűt és zárt cipőt.
- Ügyeljen rá, hogy a készülék mozgatásakor ne sértse fel a padlót (pl. parkettet).
- Ne helyezze a készüléket hőforrás közelébe.
- A készüléket olyan padlón telepítse és szintezze, amely elég erős a készülék súlyának megtartásához, és olyan helyre, amely elegendően nagy a készülék méretéhez és használatához.
- Gondoskodjon a megfelelő légmozgásról a készülék körül.

- Az első üzembe helyezéskor, vagy az ajtó nyitásirányának megfordítása után a készülék hálózati feszültségre csatlakoztatása előtt várjon legalább 4 órát. Erre azért van szükség, hogy az olaj visszafolyjon a kompresszorba.
- A készüléken végzendő bármilyen szerelési művelet (pl. ajtó nyitásirányának megfordítása) előtt csatlakoztassa le a készüléket a hálózati feszültségről.
- A készülék hátuljának a falhoz kell támaszkodnia.
- Ne telepítse a készüléket közvetlen napsütésnek kitett helyre.
- Ne telepítse a készüléket túl párás, vagy túl hideg helyre, például borospincébe.

Elektromos csatlakoztatás

- ▲ **FIGYELMEZTETÉS!** Tűz és áramütés veszélye.
- ▲ **FIGYELMEZTETÉS!** A készülék felállításakor ügyeljen arra, hogy a hálózati kábel ne akadjon be és ne sérüljön meg.

⚠ FIGYELMEZTETÉS! Ne használjon elosztót vagy hosszabbítót.

- A készüléket földelni kell.
- Ügyeljen arra, hogy a hálózati tápellátás paraméterei megfeleljenek a készülék adattábláján feltüntetett értékeknek.
- Mindig használjon megfelelően felszerelt, érintésvédett konnektort.
- Ügyeljen rá, hogy az elektromos alkatrészek (hálózati csatlakozó, hálózati kábel, kompresszor) ne sérüljenek meg. Az elektromos alkatrészek cseréjéhez hívja a hivatalos szervizt vagy egy villanyszerelőt.
- A hálózati kábelnek a hálózati csatlakozó szintje alatt kell maradnia.
- A hálózati csatlakozót csak a telepítés végeztével dugja be a konnektorba. Gondoskodjon róla, hogy a konnektor a telepítést követően is hozzáférhető legyen.
- A készülék áramtalanításakor ne a hálózati kábelt húzza. Mindig a hálózati csatlakozót húzza.
- Csak az Egyesült Királyság és Írország: A készülék hálózati csatlakozója 13 A-es. Ha a hálózati csatlakozó biztosítóját cserélni kell, akkor csak 13 A-es ASTA (BS 1362) biztosítékot használjon.

Használat

⚠ FIGYELMEZTETÉS! Sérülés, égés, áramütés és tűz veszélye.



A hűtőkör csövei kis mennyiségű környezetbarát, de gyúlékony R600a hűtőközeget tartalmaznak. Ez nem károsítja az ózonréteget, és nem növeli az üvegházhatást.

Ha a hűtőközeg megszökik, károsíthatja a szemét, vagy meggyulladhat. Ne sértse meg a csöveket.

- A kompresszor felülete normál működés közben felforrósodhat. Ne érjen hozzá kézzel.
- Ne módosítsa a készülék jellemzőit.
- Ne helyezzen elektromos berendezéseket (pl. fagyaltkészítőt) a készülék belsejébe, hacsak a gyártó nem hagyta jóvá azokat.
- Ha a hűtőkör megsérül, ügyeljen rá, hogy a helyiségben ne legyen nyílt láng, vagy más gyújtóforrás. Szellőztesse ki a helyiséget.
- Ne érintsen forró tárgyat a készülék műanyag részeihez.
- A fagyasztóban ne tároljon palackozott italokat, mert azok felrobbanhatnak vagy kárt okozhatnak.
- Ne tároljon gyúlékony gázt vagy folyadékot a készülékben.
- Ne tegyen gyúlékony anyagot vagy gyúlékony anyagtól nedves tárgyat a készülékbe, a készülékre, vagy annak közelébe.
- Ne érintse meg a kompresszort, vagy a kondenzátort. Ezek forrók.

- Vizes vagy nedves kézzel ne érintse meg a fagyasztórekeszben tárolt élelmiszereket.
- Ne nyelje le a (nem mérgező) jégakkuk tartalmát.
- A jégkockákat vagy jégkrémeket ne egye meg közvetlenül a fagyasztóból történő kivétel után, mert ezek fagyási sérüléseket okozhatnak.
- A felolvasztott élelmiszert ne tegye vissza a fagyasztórekeszbe.
- Kövesse az élelmiszerek csomagolásán feltüntetett tárolási előírásokat.

Belső világítás

⚠ FIGYELMEZTETÉS! Áramütés veszélye.

- A készülékben használt izzót kifejezetten háztartási eszközökhöz tervezték, és az nem alkalmas általános otthoni világításra ((EU) 2019/2020).

Ápolás és tisztítás

⚠ FIGYELMEZTETÉS! A készülék sérülésének vagy károsodásának veszélye.

- Karbantartás előtt kapcsolja ki a készüléket, és húzza ki annak hálózati csatlakozóját a konnektorból.
- A készülék hűtőegységében szénhidrogének találhatóak. A karbantartást és a hűtőegység feltöltését csak szakember végezheti.
- Rendszeresen ellenőrizze a készülék vízelvezetését, és ha szükséges, tisztítsa meg. Ha a leeresztő eltömődött, a kiolvadt víz a készülék aljában gyűlik össze.

Szerviz

- Ha a készülék javításra szorul, lépjen kapcsolatba a kézikönyv végén felsorolt hivatalos szervizközpontok valamelyikével.
- Csak eredeti cserealkatrészt használjon.

Hulladékkezelés

⚠ FIGYELMEZTETÉS! Sérülés- vagy fulladásveszély.

- Húzza ki a készülék csatlakozóját a konnektorból.
- Vágja le és tegye a hulladékba a hálózati kábelt.
- Vegye le az ajtót, hogy a készülék ne záródhasson rá gyermekekre vagy állatokra.
- A készülék hűtőköre és szigetelőanyagai ózonbarát anyagokat tartalmaznak.
- A szigetelőhab gyúlékony gázt tartalmaz. A készülék megfelelő hulladékkezelésével kapcsolatos információkért forduljon a helyi önkormányzathoz.
- Ne sértse meg a hűtőegység hőcserélő közelében található részét.

Ha a fenti tanácsokat és óvintézkedéseket nem tartja be, a gyártó nem vállal felelősséget az emberi és állati sérülésekért, valamint az anyagi károkért.

Üzembe helyezés

▲ FIGYELMEZTETÉS! A készülék telepítése előtt olvassa el figyelmesen a biztonsági információkat ebben a fejezetben.

Telepítési ellenőrző lista

Ajtó

- Az ajtó tömítés minden oldalon tökéletesen zár
- Az ajtó vízszintben van

Vízszintezés

- A hűtőszekrény vízszintben van.

Elektromos tápellátás

- Várjon 4 órát
- A ház áramellátása be van kapcsolva
- A hűtőszekrény csatlakoztatva van

Végso ellenőrzések

- Csomagolóanyagok eltávolítva
- A hűtőszekrény hőmérséklete beállítva

Elhelyezés

- A készülék felállítása során kövesse a külön szerelési útmutató előírásait.
- A készüléket olyan helyre kell telepíteni, ahol a környezeti hőmérséklet megfelel a készülék adattábláján feltüntetett klímaosztálynak. Ez biztosítja a készülék megfelelő működését. A klímaosztályok magyarázata a következő:

Klímaosztály	Környezeti hőmérséklet tartomány
SN	+10°C és +32°C
N	+16°C és +32°C
ST	+16°C és +38°C
T	+16°C és +43°C

- Az „SN” azt jelzi, hogy ezt a hűtőberendezést csak 10°C és 32°C közti környezeti hőmérsékleten lehet használni.

- Az „N” azt jelzi, hogy ezt a hűtőberendezést csak 16°C és 32°C közti környezeti hőmérsékleten lehet használni.

- Az „ST” azt jelzi, hogy ezt a hűtőberendezést csak 16°C és 38°C közti környezeti hőmérsékleten lehet használni.

- A „T” azt jelzi, hogy ezt a hűtőberendezést csak 16°C és 43°C közti környezeti hőmérsékleten lehet használni.

- ⓘ Bizonyos modellek esetében működési hiba léphet fel, ha a készüléket a megadott hőmérséklet-tartományon kívül használják. A megfelelő működés csak a megadott hőmérséklettartományban garantált. Ha a telepítéssel kapcsolatban bármilyen kétsége van, forduljon a gyártóhoz, a vevőszolgálatunkhoz, vagy a legközelebbi hivatalos szervizközpontokhoz.

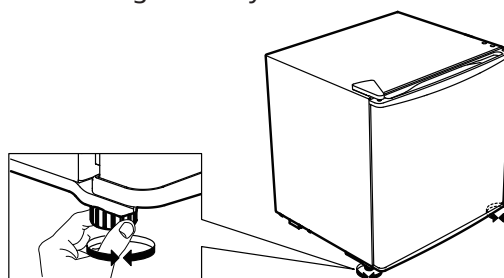
Hely

A legjobb teljesítmény érdekében a készüléket telepítse távol a hőforrásoktól, például fűtőtestektől, bojlerektől és közvetlen napfénytől. Gondoskodjon róla, hogy a levegő szabadon keringhessen a szekrény hátoldala körül.

A készülék szintezése

Ha a készülék valamerre dől, akkor a két első szintező láb beállításával vízszintezze a készüléket. A szereléssel kapcsolatos részleteket lásd a különálló Szerelési útmutatóban.

1. A készülék csatlakozóját csatlakoztassa le a hálózati feszültségről.
2. A lábat jobbra forgatva emelni lehet a készüléket. A lábat balra forgatva süllyeszteni lehet a készüléket.



A készülék tisztítása

A készülék első üzembe helyezése előtt tisztítsa ki a készülék belsejét, hogy megszűnjön a vadonatúj készülék jellegzetes illata.

1. Győződjön meg arról, hogy a készülék csatlakozója ki legyen húzva a konnektorból.
2. A készülék belsejét törölje át puha, nedves ruhával.
3. Langyos vízzel és semleges szappannal mossa le a készülék belső tartozékait, majd alaposan szárítsa meg őket.

VIGYÁZAT!

Ne használjon súroló hatású termékeket, klóros, savas tisztítószer vagy oldószert.

- Ne használjon súroló vagy csiszoló anyagokat. A fémfelületek korrodálódhatnak.
- A tartozékokat ne tisztítsa mosogatógépben. A tartozékok deformálódhatnak.

Elektromos csatlakoztatás

▲ VIGYÁZAT! A készülék telepítéséhez szükséges minden elektromos munkát csak képzett elektromos szakember vagy hozzáértő személy végezhet.

▲ FIGYELMEZTETÉS! A készüléket földelni kell. Ha eltér ezektől az utasításoktól, az halált, tüzet, vagy áramütést okozhat.

A gyártó a biztonsági előírások be nem tartása esetén semmiféle felelősséget sem vállal. Ez a készülék megfelel az E.E.C. irányelveknek.

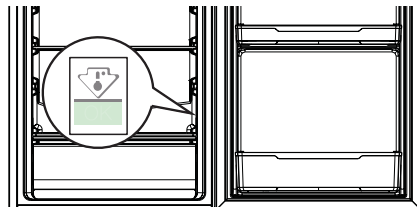
Első használatba vétel

Csatlakoztassa a készüléket a konnektorhoz.
Az ideális ételkészlet-hőmérsékletek gyárilag már be vannak állítva (közepesre).

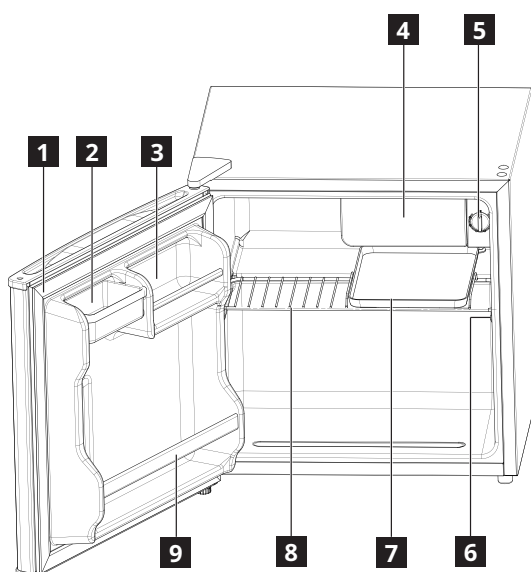
Megjegyzés: Bekapcsolás után a készülék 4-5 óra múlva éri el a tipikus ételmennyiség tárolásához szükséges hőmérsékletet.

Fontos!

Az egyes országok szabályozásaival összhangban, a készülék hűtőterének legalsó rekeszében egy speciális eszközt kell elhelyezni (lásd az alábbi ábrát), amely a leghidegebb zóna hőmérsékletét mutatja.



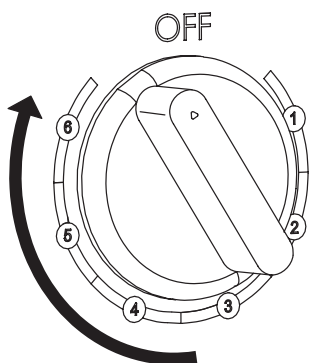
Termékleírás



- 1** Ajtó tömítés
- 2** Tárolódoboz
- 3** Tartó dobozos italok számára
- 4** Mélyhűtő rekesz

- 5** Hőmérsékletszabályzó
- 6** Adattábla
- 7** Leolvasztótálca
- 8** Polc
- 9** Palacktartó

Kezelés



Bekapcsolás

Csatlakoztassa a hálózati dugaszt a hálózati feszültségre és állítsa be a hőmérsékletet.
A készülék bekapcsolódik és működni kezd.

A hőmérséklet beállítása

A hőmérsékletszabályozás automatikusan történik.
A hőmérséklet beállítása:

- a magasabb hőmérséklet beállításához forgassa a szabályozót a kisebb értékek felé.
- Az alacsonyabb hőmérséklet beállításához forgassa a szabályozót a nagyobb értékek felé.

i Általában a közép állás a legmegfelelőbb.

A hőmérsékletet annak figyelembe vételével állítsa be, hogy a készülék belsejének hőmérséklete a következőktől függ:

- a helyiség hőmérséklete,
- az ajtónyitások gyakorisága,
- a tárolt élelmiszer mennyisége,
- a készülék elhelyezkedése.

Fontos! Ha a környezeti hőmérséklet magas, vagy ha a készülék teljesen tele van, és a szabályzó a legalacsonyabb hőmérsékletre van beállítva, akkor előfordulhat, hogy a hűtő folyamatosan működik, ami jégképződést okoz a hátsó falon. Ebben az esetben magasabb hőmérsékletet kell beállítani, így működésbe léphet a jégtelenítés, ezért csökkenhet az energiafogyasztás.

Napi használat

Tanácsok friss élelmiszer hűtéséhez

- Fedje le, vagy csomagolja be az élelmiszert, különösen, ha erős illata van.
- Az élelmiszert úgy helyezze el, hogy a levegő szabadon keringhessen körülötte.
- A legjobb teljesítmény érdekében a hűtőtérben hagyjon elegendő helyet ahhoz, hogy a levegő jól áramolhasson az élelmiszercsomagok között. A készülék elejében is hagyjon elég helyet, hogy az ajtó szorosan bezáródhasson.
- Ne tároljon meleg ételt vagy párolgó folyadékokat a hűtőszekrényben.
- Főtt étel és hideg étel: fedje le, és helyezze bármelyik polcra.
- Gyümölcs és zöldség: alaposan tisztítsa meg, és tegye a zöldségtárolóba. Banánt, burgonyát, hagymát és fokhagymát csak csomagolva tároljon a hűtőszekrényben.
- Vaj és sajt: tegye speciális, légzáró dobozba, vagy csomagolja alufóliába vagy műanyagfóliába úgy, hogy a lehető legtöbb levegőt kizárja.
- Palackok: zárja le kupakkal, és tegye az ajtórekeszekbe.

Energiatakarékossági tanácsok

- A készüléket telepítse száraz, jól szellőző helyiségbe, távol a hőforrásoktól (pl. radiátor, tűzhely stb.), olyan helyre, ahol nem éri közvetlen napfény. Ha szükséges, használjon hőszigetelő lapot.

Tisztítás és karbantartás

Általános tippek

- A készüléket tisztítsa rendszeresen egy ruhával, meleg vízzel és kifejezetten hűtőszekrények belteréhez készített semleges tisztítószerrel. Ne használjon súroló tisztítószereket vagy eszközöket.

Tippek:

- Minél alacsonyabb a beállított hőmérséklet, annál hosszabb ideig tárolható biztonságosan az élelmiszer, és annál több áramot fogyaszt a készülék.
- Minél magasabb a beállított hőmérséklet, annál hamarabb romlanak meg a tárolt ételek, és annál kevesebb áramot fogyaszt a készülék.

Kikapcsolás

A készülék kikapcsolásához forgassa a hőmérséklet-szabályozót az „OFF” állásba majd csatlakoztassa le a készüléket a hálózati feszültségről.

- A megfelelő szellőzés biztosításához kövesse a telepítési utasításokat.
- Ha a készülék hátoldala nem szellőzik megfelelően, az növeli az energiafogyasztást, és csökkenti a hűtés hatékonyságát.
- A belső hőmérsékletekre hatással lehet a külső hőmérséklet, az ajtónyitások gyakorisága, valamint a készülék elhelyezkedése. A hőmérséklet beállításakor ezeket a tényezőket figyelembe kell venni.
- Mielőtt meleg ételt vagy italt tesz a készülékbe, hagyja lehűlni.
- A ventilátort (ha van) ne takarja el élelmiszerekkel.
- Étél behelyezése vagy kivétele után ellenőrizze, hogy az ajtó megfelelően be lett-e zárva, különösen a fagyasztó ajtaja.
- Az ajtónyitások számát csökkentse minimálisra.
- Ételek kiolvasztásakor helyezze azokat a hűtőbe. A fagyott termékek alacsony hőmérséklete hűti a hűtőtérben lévő élelmiszereket.
- A polcok elhelyezkedése a hűtőben nincs hatással az energiafelhasználás hatékonyságára. Az ételeket úgy kell a polcokra helyezni, hogy biztosítva legyen a megfelelő légáramlás (az ételek ne érjenek egymáshoz, valamint az ételek és a hátsó fal közt legyen távolság).
- A sérült tömítéseket minél előbb ki kell cserélni.

- Szervizelés vagy tisztítás előtt húzza ki a készüléket a konnektorból, vagy válassza le az áramforrásról.

VIGYÁZAT! A hűtőszekrény alkatrészeit nem szabad mosogatógépben mosni.

A készülék leolvasztása

- A készüléket mindig jégteleníteni kell, ha a párologtató felületén keletkezett jégréteg 3-4 mm vastagságúra nő.
- A jégtelenítés előtt ürítse ki a hűtőszekrényt és kapcsolja ki. A leolvadt víz összegyűjtéséhez helyezze a jégtelenítő tálcát a párologtató alá.
- Ha a jég teljesen leolvadt, öntse ki az olvadékvizet, száraz ruhával törölje szárazra a készülék belsejét, majd kapcsolja be a készüléket.

Ha a készüléket hosszabb ideig nem használja

1. Kapcsolja ki a készüléket.
2. Húzza ki a készülék csatlakozóját a konnektorból.
3. Vegyen ki minden ételt.
4. Olvassza le és tisztítsa meg a készüléket.
5. Az ajtókat hagyja nyitva annyira, hogy a levegő cserélődhessen a hűtőterekben. Ez megakadályozza a penész és a kellemetlen szagok képződését.

Áramszünet esetén

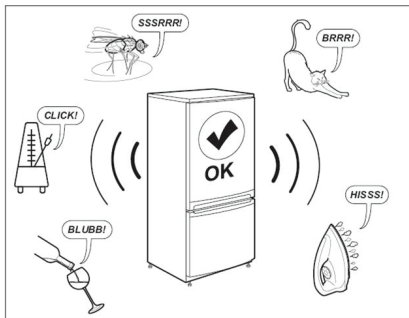
- Tartsa zárva a készülék ajtóit. Így az étel a lehető legtovább hideg maradhat.

Hibaelhárítás

Probléma	Lehetséges ok	Megoldás
A készülék nem működik.	A készülék ki van kapcsolva.	Kapcsolja be a készüléket.
	A hálózati csatlakozó nincs megfelelően bedugva a konnektorba.	Dugja be megfelelően a hálózati csatlakozót a konnektorba.
	Nincs feszültség a konnektorban.	Csatlakoztasson egy másik elektromos eszközt a konnektorhoz, és állapítsa meg, hogy a konnektor működik-e. A konnektor megjavításához hívjon képzett villanyszerelőt.
A készülék zajos.	A készülék nem áll stabilan.	Szintezze ki a készüléket. Lásd „A készülék szintezése” című részt vagy a különálló Szerelési útmutatót.
A kompresszor folyamatosan működik.	A beállított hőmérséklet túl alacsony.	Állítson be magasabb hőmérsékletet. Olvassa el a „Kezelés” című fejezetet.
	Egyidejűleg sok élelmiszert helyezett be.	Várjon néhány órát, majd ellenőrizze újra a hőmérsékletet.
	A helyiség hőmérséklete túl magas.	Ha lehetséges, helyezze át a készüléket. Lásd: „Elhelyezés”.
	A készülékbe tett ételek túl melegek.	Tárolás előtt hagyja, hogy az ételek szobahőmérsékletre hűljenek.
	Az ajtó nincs rendesen bezárva.	Olvassa el „Az ajtó bezárása” című részt.
A hőmérséklet a készülékben túl alacsony/magas.	A hőmérséklet helytelenül van beállítva.	Állítson be magasabb/alacsonyabb hőmérsékletet.
	Az ajtó nincs rendesen bezárva.	Olvassa el „Az ajtó bezárása” című részt.
	A készülékbe tett ételek túl melegek.	Tárolás előtt hagyja, hogy az ételek szobahőmérsékletre hűljenek.
	Egyidejűleg sok élelmiszert helyezett be.	Kevesebb élelmiszert helyezzen be egyszerre.
	A jégréteg vastagsága meghaladja a 4-5 mm-t.	Olvassza le a készüléket.
	Túl sokszor nyitották ki az ajtót.	Csak akkor nyissa ki az ajtót, ha szükséges.
	A készülékben nem kering megfelelően a hideg levegő.	Az élelmiszert úgy helyezze el, hogy a levegő szabadon keringhessen a készülékben.
Az ajtó nem csukódik teljesen.	Olvassa el „Az ajtó bezárása” című részt.	Olvassa el „Az ajtó bezárása” című részt.

Normális zajok

Normális jelenség, ha a hűtőrendszer valamennyi hangot ad ki, például bugyogó vagy sziszegő hangokat.



Az ajtó bezárása

Ha	Tegye ezt
Az ajtótmítések szennyezettek.	Tisztítsa meg.
Az ajtótmítések sérültek.	Kérje a cseréjüket az értékesítés utáni szolgáltatástól.
Az ajtót akadályozzák a polcok, fiókok, ételek stb.	Helyezze el őket megfelelően, vagy vegye ki az akadályozó tárgyakat.
A készülék nincs vízszintezve.	Szintezze ki a készüléket. Lásd „A készülék szintezése” című részt vagy a különálló Szerelési útmutatót.
Az ajtó nem jól illeszkedik a szekrényhez.	Állítsa be az ajtót. Lásd a külön szerelési útmutatót.

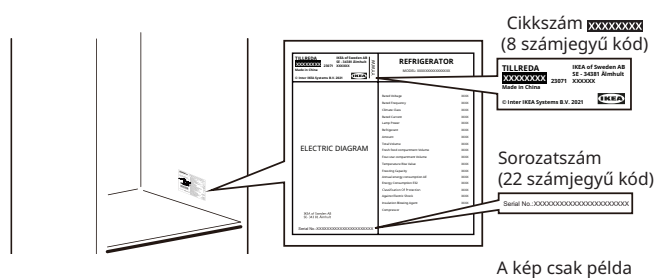
Mielőtt az ügyfélszolgálathoz fordulna:

Indítsa újra a készüléket, és ellenőrizze, hogy a hiba nem szűnt-e meg. Ha nem, akkor kapcsolja ki a készüléket, és egy óra múlva ismételve meg a műveletet.

Ha a hibaelhárítási útmutatóban felsorolt ellenőrzések elvégzése és az ismételt bekapcsolás után a készülék továbbra sem működik megfelelően, forduljon az Értékesítés utáni szolgáltatáshoz, magyarázz el világosan a problémát, és adja meg a következőket:

- a probléma természete
- a vásárlás dátuma
- a készülék típusa és sorozatszáma

i A cikkszám és a sorozatszám a készülék belsejében, a jobb oldalon rögzített típusablán található.



A kép csak példa


Műszaki adatok

Termékkategória	
Termék típusa	Hűtőszekrény
Felállítás típusa	Szabadon álló
Termékméret	
Magasság	492 mm
Szélesség	472 mm
Mélység	450 mm
Nettó térfogat	
Hűtő	43,0 l
Leolvasztórendszer	
Hűtő	Manuális
Egyéb műszaki adatok	
Besorolás	-
Hőmérséklet-emelkedési idő	-
Energiafogyasztás	80 kWh/év
Zajszint	41 dB (A)
Energiaosztály	E
Névleges feszültség	220 – 240 V~
Névleges frekvencia	50 Hz
Energiahatékony fényforrás	-

Megjegyzés: A termék adatbázisban található, a termékkel kapcsolatos információkat az EPREL címkén található QR-kód beolvasásával lehet megtekinteni.

Környezetvédelmi megfontolások

1. Csomagolóanyagok

Az újrahasznosítható anyagokat  szimbólum jelöli. A csomagolást a megfelelő szelektív hulladékgyűjtőbe tegye.


A csomagolóanyagokat (műanyagtasakok, polisztirén alkatrészek stb.) tartsa távol a gyermekektől, mert veszélyforrást jelenthetnek.

2. Kiselejtezés

A készülék újrahasznosítható anyagok felhasználásával készült.

Ez a készülék az Elektromos és elektronikus berendezések hulladékairól (WEEE) szóló 2002/96/EK irányelvnek megfelelően van megjelölve. A készülék megfelelő hulladékkezelése segít elkerülni a környezetre és az emberi egészségre gyakorolt káros következményeket.

A készüléken vagy annak kísérő dokumentumain

található  szimbólumon azt jelzi, hogy ezt a

készüléket nem szabad háztartási hulladékként kezelni, hanem egy speciális gyűjtőközpontba kell szállítani az elektromos és elektronikus alkatrészek újrahasznosítása céljából. A készüléket kiselejtezéskor a tápkábel levágásával használhatatlanná kell tenni, a polcokat és az ajtókat pedig el kell távolítani, hogy a gyerekek ne eshessenek csapdába a készülék belsejében.

A készüléket a helyi hulladékkezelési rendeleteknek megfelelően selejtezze ki, és vigye egy speciális gyűjtőközpontba. Még néhány napra se hagyja a készüléket felügyelet nélkül, mert az a gyermekek számára potenciális veszélyforrás lehet.

A termék kezelésével és újrahasznosításával kapcsolatos további információkért forduljon a megfelelő helyi hivatalhoz, hulladékkezelő vállalathoz vagy ahhoz az üzlethez, ahol a készüléket vásárolta.

Megfelelőségi nyilatkozat

- Ez a készülék élelmiszerek tartósítására szolgál, és az 1935/2004-es (EC) rendeletnek megfelelően készült.



- A készülék tervezése, gyártása és értékesítése a következőknek megfelelően történt:
 - a 2014/35/EU „Kisfeszültségű irányelv” biztonsági célkitűzései (amely helyettesíti a 2006/95/CE és az azt követő módosításokat);

- a 2014/30/EU „EMC” irányelv védelmi követelményei.
- A készülék tervezése, gyártása és értékesítése a következőknek megfelelően történt:
 - 2016-os elektromágneses kompatibilitási rendeletek
 - Elektromos berendezésekre vonatkozó 2016-os (biztonsági) rendeletek



IKEA jótállás

Meddig érvényes az IKEA jótállás?

Ez a jótállás a vásárlás dátumától számított **2 évig** érvényes, kivéve, ha a helyi jogszabályok másképp nem rendelkeznek. Norvégiában, Portugáliában és Spanyolországban a jótállás a vásárlóhoz történő kiszállítást követő 3 évig érvényes, kivéve, ha a helyi jogszabályok másképp nem rendelkeznek. A vásárlás bizonyítékeként az eredeti bizonylat szolgál. A jótállás alapján végzett munka nem hosszabbítja meg a készülék jótállási időszakát.

Ki végzi majd a szervizelést?

A szervizt az IKEA szervizszolgáltatója nyújtja a saját szervizeiben, vagy a hivatalos szervizpartnerek hálózatán keresztül.

Mire vonatkozik a jótállás?

A jótállás az IKEA áruházban történt vásárlás dátumától kezdve vonatkozik a készülék azon hibáira, amelyeket a hibás gyártás vagy anyaghiba okoz. A jótállás csak háztartási célú használat esetén érvényes. A kivételek a „Mire nem terjed ki a jótállás?” cím alatt találhatóak. A jótállási időszak alatt a jótállás kiterjed a hiba megszüntetésével kapcsolatban felmerülő költségekre (pl. javítás, alkatrészecskék, munka és utazás), feltéve, ha javítás céljából speciális kiadások nélkül hozzáférhető a készülék. Ilyen feltételek mellett az EU irányelvek (99/44/EK) és a megfelelő helyi rendeletek érvényesek. A kicserélt alkatrészecskék az IKEA tulajdonába kerülnek.

Mit tesz az IKEA a probléma megszüntetése érdekében?

Az IKEA kijelölt szervizszolgáltatója megvizsgálja a terméket, és saját hatáskörben eldönti, hogy vonatkozik-e rá ez a jótállás. Ha a jótállás vonatkozik rá, akkor az IKEA szervizszolgáltatója vagy hivatalos szervizpartnere saját döntése alapján vagy megjavítja a hibás terméket, vagy ugyanolyan, illetve hasonló termékre cseréli ki.

Mire nem terjed ki a jótállás?

- Normál kopás és elhasználódás.
- Szándékosságból vagy hanyagságból eredő károsodás, a használati útmutató be nem tartása, a helytelen üzembe helyezés vagy a nem megfelelő feszültségre kapcsolás miatti károsodás, a kémiai vagy elektrokémiai reakció miatti károsodás, a rozsdás, korrózió vagy víz miatti károsodás, beleértve - korlátozás nélkül - a vezetékes víz túlzott kalciumtartalma miatti károsodást is, valamint a normálistól eltérő környezeti viszonyok miatti károsodás.
- Az elhasználódó alkatrészecskék, így az elemek és izzók.
- A készülék normál használatát nem befolyásoló funkció nélküli és díszítő elemek, beleértve a karcolásokat és az esetleges színeltéréseket is.
- Az idegen tárgyak vagy anyagok miatti, valamint a szűrők, lefolyórendszerek vagy szappanadagolók tisztítása vagy eltömődésének megszüntetése miatti véletlen károsodás.
- Az alábbi alkatrészecskék károsodása: kerámiaüveg, tartozékok, cserépedény- és evőeszközkosarak, bevezető és elvezető csövek, tömítések, izzók és izzóburkolatok, védőrácsok, gombok, készülékházak és készülékházrészecskék. Hacsak ezekről a károsodásokról nem bizonyítható be, hogy gyártási hibák okozták őket.
- Amikor a szerelő a helyszínen nem talál hibát.
- Azon javítások, amelyeket nem a mi szolgáltatónk és/vagy valamilyen hivatalos szerződéses szervizpartner végzett, vagy amelyek során nem eredeti alkatrészecskéket használtak.
- Azon javítások, amelyek a hibás vagy nem a specifikáció szerint végzett üzembe helyezés miatt szükségesek.
- A készülék nem háztartási célú használata, tehát például professzionális használat esetén.

- Szállítási sérülések. Ha a vevő maga szállítja a terméket otthonába vagy más címre, az IKEA nem felelős semmilyen kárért, ami esetleg a szállítás alatt bekövetkezik. Azonban ha az IKEA kézbesíti a terméket a vevő kézbesítési címére, akkor a terméknek ezen kézbesítés során bekövetkezett sérülését az IKEA fogja fedezni.
- A készülék IKEA általi első beüzemelésének költsége. Azonban, ha az IKEA szolgáltatója vagy annak hivatalos szervizpartnere megjavítja vagy kicseréli a készüléket a jelen jótállás feltételei alapján, a szolgáltató vagy annak hivatalos szervizpartnere szükség esetén újra üzembe helyezi a megjavított készüléket, illetve üzembe helyezi a cserekészüléket.

Ezek a korlátozások nem vonatkoznak a képesített szakember által, az eredeti alkatrészeink használatával végzett olyan hibamentes munkára, amely a készülék más EU-ország műszaki biztonsági előírásaihoz való hozzáillesztése érdekében történt.

Az adott ország törvényeinek hatálya

Ez az IKEA jótállás konkrét jogokat biztosít Önnek, amelyek vagy megegyeznek az adott ország törvényi előírásaival, vagy meghaladják azokat. Ezek a feltételek azonban semmilyen módon nem korlátozhatják a helyi törvényi előírásokban leírt vásárlói jogokat.

Területi érvényesség

A valamelyik EU tagállamban vásárolt és aztán egy másik EU tagállamba átvitt készülékek esetén a szervizelés az új országban érvényes jótállási feltételek keretén belül történik.

A jótálláson belüli szervizelési kötelezettség csak akkor áll fenn, ha a készülék és a beüzemelése megfelel a következőknek:

- azon ország műszaki specifikációjának, ahol a jótállási igény felmerül;
- az Összeszerelési utasításnak és a Felhasználói kézikönyv Biztonsági információinak.

Az IKEA készülékeire vonatkozó speciális, ÉRTÉKESÍTÉS UTÁNI szolgáltatás

Kérjük, a következő esetekben lépjen kapcsolatba az IKEA vevőszolgálatával:

- garanciális és garanciaidőn túli szervizelésre van szüksége;
- az IKEA készülék IKEA konyhabútorba való beszerelésével kapcsolatban információra van szüksége.
- az IKEA készülékek funkcióinak tisztázására irányuló kérdése van.

Annak érdekében, hogy a leghatékonyabban tudjunk Önnek segíteni, kérjük, tanulmányozza át a az Összeszerelési utasítást és/vagy a Felhasználói kézikönyvet, mielőtt minket hív.

Elérhetőségeink, ha szervizre van szüksége



Az IKEA által kijelölt szervizek telefonszámait ennek a kézikönyvnek a végén találja.

- **A gyorsabb szolgáltatás érdekében javasoljuk, hogy a kézikönyv végén felsorolt telefonszámokat használja. Mindig annak a készüléknek a kézikönyvében szereplő telefonszámokat használja, amellyel kapcsolatban segítségre van szüksége. Ne feledje megadni a készülék típusábláján található 8 jegyű cikkszámot és a 22 jegyű sorozatszámot.**

- **ŐRIZZE MEG A VÁSÁRLÁSI BIZONYLATOT!** Ez bizonyítja a vásárlást, és ez kell a jótállás érvényesítéséhez is. Minden egyes megvásárolt készülék vásárlási bizonylata tartalmazza a készülék IKEA nevét és cikkszámát (8 jegyű kód).

Ezen túlmenő segítségre van szüksége?

Ha bármilyen további, a készülék értékesítés utáni szervizelésével nem kapcsolatos kérdése van, kérjük, vegye fel a kapcsolatot a legközelebbi IKEA áruház telefonos ügyfélszolgálatával. Javasoljuk, hogy a hívás előtt alaposan olvassa el a készülék dokumentációját.

Pótalkatrészek

- A termosztát, a hőmérséklet-érzékelők, a nyomtatott áramkörök és a fényforrások az utolsó termék forgalomba kerülésétől számított legalább hét évig állnak a javítással foglalkozó szakemberek rendelkezésére.
- Az ajtófogantyúk, ajtózanérok, tálcák és kosarak az utolsó termék forgalomba kerülésétől számított legalább hét évig állnak a javítással foglalkozó szakemberek és a végfelhasználók rendelkezésére, az ajtótomítések pedig legalább 10 évig.

Az alkatrészek itt találhatóak: www.ikea.com

Innihald

Öryggisupplýsingar	317	Dagleg notkun.....	322
Öryggisleiðbeiningar.....	318	Þrif og viðhald	322
Uppsetning	320	Bilanaleit	323
Fyrsta notkun	321	Tæknilegar upplýsingar.....	325
Vörulýsing	321	Umhverfismálefni	325
Meðferð.....	321	IKEA ábyrgð	326

Öryggisupplýsingar

Áður en heimilistækið er sett upp skal lesa leiðbeiningarnar vandlega. Framleiðandi er ekki ábyrgur fyrir rangri uppsetningu eða ef notkun veldur áverkum eða skemmdum. Alltaf skal geyma leiðbeiningarnar með heimilistækinu ef leita þarf í þær síðar.

Öryggi barna og veikburða fólks



VIÐVÖRUN: Eldhætta/Eldfim efni

- Börn, 8 ára og eldri og fólk sem er hreyfihamlað, með skerta skynjun, skert andlega eða skortir reynslu og þekkingu mega aðeins nota heimilistækið ef þau hafa fengið leiðsögn eða leiðbeiningar um örugga notkun heimilistækisins og geri sér grein fyrir hættunum sem fylgja notkun þess. Börn mega ekki leika sér að helluborðinu. Hreinsun og viðhald notanda skulu ekki framkvæmd af börnum án tilsjónar. Eftirlit á að vera með börnum til að tryggja að þau leiki sér ekki með tækið.
- Börn 3 til 8 ára og einstaklingar með mjög víðtæka og flókna fötlun mega nota tækið ef þau hafa fengið rétt fyrirmæli um notkun þess.
- Halda ætti börnum yngri en 3 ára frá tækinu nema þau séu undir stöðugu eftirliti.
- Ekki leyfa börnum að leika sér með tækið.
- Börn eiga ekki að hreinsa eða framkvæma notandaviðhald á heimilistækinu án eftirlits.
- Börn á aldrinum 3 til 8 ára mega hlaða og afferma kælitalækið.
- Geymið allar umbúðir fjarri börnum og fargið þeim á viðeigandi hátt.

Almennt öryggi

- Tækið er ætlað til notkunar á heimili og við svipaðar aðstæður, svo sem:
 - í starfsmannaeldhúsum í verslunum, skrifstofum og öðru vinnuumhverfi;
 - bændabýlum og hjá viðskiptavinum á hótélum, mótélum og í öðru íbúðarumhverfi;
 - á gistiheimilum og þess konar umhverfi.
 - Við veitingar og svipaðan heilðsölurekstur.
- **VIÐVÖRUN:** Gættu þess að engar fyrirstöður séu í loftræstiopum, hvorki í umlykju heimilistækisins né innbyggðum hlutum þess.
- **VIÐVÖRUN:** Ekki nota vélknúin búnað eða annan búnað til að hraða affrystingu, annan en þann sem framleiðandi mælir með.
- **VIÐVÖRUN:** Ekki skemma kælirásina.
- **VIÐVÖRUN:** Ekki nota rafmagnstæki í matvælageymsluhólfi heimilistækisins nema framleiðandi mæli með slíkum gerðum.
- **VIÐVÖRUN:** Ekki nota vatnsúða og gufu til að hreinsa tækið.
- **VIÐVÖRUN:** Hreinsið tækið með mjúkum, rökum klút. Notið eingöngu hlutlaus hreinsiefni. Ekki má nota slípandi efni, slípandi hreinsunarpúða, leysa eða málmhluti.

- **VIÐVÖRUN:** Ekki geyma eldfim efni eins og loftúðabrusa með eldfimu drifefni, inni í þessu tæki.
- **VIÐVÖRUN:** Ef rafsnúran er skemmd þarf framleiðandi, þjónustufulltrúi eða einhverjir með hliðstæða löggildingu að skipta um hana til að forðast hættu.
- **VIÐVÖRUN:** Þegar tækið er staðsett skal ganga úr skugga um að snúran sé ekki föst eða skemmd.
- **VIÐVÖRUN:** Ekki setja mörg fjöltengi eða spennubreyta fyrir aftan tækið.
- Ef hurðin er opin í langan tíma getur það valdið verulegri hitastigshækkun í hólfum heimilistækisins.
- Hreinsið reglulega fleti sem geta komist í snertingu við mat og aðgengilegt frárennsliskerfi.
- Hreinsið vatnsgeyma ef þeir hafa ekki verið notaðir í 48 klukkustundir; skolaðu vatnskerfið sem er tengt vatnsveitu ef vatn hefur ekki verið losað í 5 daga.
- Geymið hrátt kjöt og fisk í viðeigandi ílátum í kæli, svo að þau komist ekki í snertingu við eða dreypi á annan mat.
- Ef kælikápurinn er tómur í langan tíma, slökktu þá á honum, affrystu, hreinsaðu, þurrkaðu og skildu hurðina eftir opna til að koma í veg fyrir að mygla myndist innan í tækinu.
- Þetta kælitæki hentar ekki til að frysta matvæli.
- Þetta kælitæki er ekki ætlað til notkunar sem innbyggt tæki.
- Tveggja stjarna hólfr fyrir frosinn mat eru hentug til að geyma forfrystan mat, geyma eða búa til ís og búa til ísmola.
- Einnar, tveggja og þriggja stjarna hólfr henta ekki til frystingar á ferskum mat.
- **VIÐVÖRUN:** Til að forðast hættu vegna óstöðugleika tækisins verður að festa það í samræmi við leiðbeiningarnar.

Öryggisleiðbeiningar

Uppsetning

- **VIÐVÖRUN!** Aðeins til þess hæfur aðili má setja upp þetta heimilistæki.
- Fjarlægið allar umbúðir.
- Ekki setja upp eða nota skemmt heimilistæki.
- Fylgdu leiðbeiningum um uppsetningu sem fylgja með heimilistækinu.
- Alltaf skal sýna aðgát þegar heimilistækið er fært vegna þess að það er þungt. Notaðu alltaf hlífðarhanska og lokaðan skóbúnað.
- Gætið þess að skemma ekki gólf (t.d. parket) þegar heimilistækið er flutt til.
- Gætið þess að heimilistækið sé ekki nálægt hitagjafa.
- Setjið upp heimilistækið og réttið af á gólfi sem er nógu sterkt til að bera það á stað sem hentar stærð og notkun.
- Tryggið gott loftstreymi kringum heimilistækið.
- Við fyrstu uppsetningu og eftir að búið er að snúa við hurðinni skal bíða í að minnsta kosti 4 klukkustundir áður en heimilistækið er tengt við rafmagn. Þetta er til að láta olíuna streyma til baka í þjöppuna.
- Áður en þú framkvæmir einhverjar aðgerðir á heimilistækinu (t.d. að snúa við hurðinni) skaltu taka tækið úr sambandi.

- Afturhlið heimilistækisins verður að standa upp við vegg.
- Ekki má setja heimilistækið upp þar sem sól skín beint á það.
- Ekki setja upp heimilistækið á of rökum eða köldum svæðum, svo sem í vínkjöllurum.

Rafmagnstenging

- **VIÐVÖRUN!** Eldhætta og hætta á raflosti.
- **VIÐVÖRUN!** Þegar tækið er staðsett skal ganga úr skugga um að snúran sé ekki föst eða skemmd.
- **VIÐVÖRUN!** Ekki nota fjöltengi eða framlengingarsnúrur.
- Heimilistækið verður að vera jarðtengt.
- Gakktu úr skugga um að færðbreyturnar á merkisplötunni séu samhæfar við rafmagnsflokkun aðalæðar aflagjafa.
- Notið ávallt rétt uppsetta innstungu sem slær ekki út.
- Gætið þess vel að skemma ekki rafmagnsíhluti (t.d. rafklóna, rafsnúrana eða þjöppuna). Hafðu samband við viðurkennda þjónustumiðstöð eða rafvirkja til þess að skipta um rafmagnsíhluti.

- Rafmagnssnúran þarf að vera fyrir neðan rafmagnsklóna.
- Setjið ekki rafmagnsklóna í samband fyrr en í lok uppsetningar. Tryggið að auðvelt sé að taka rafmagnsklóna úr sambandi eftir uppsetningu.
- Ekki má toga í rafmagnsnúruna til að taka úr sambandi. Taktu alltaf um klóna.
- Eingöngu Bretland og Írland:
Tækið er gert fyrir 13 A aðalöryggi. Ef skipta þarf um aðalöryggi skal aðeins nota 13 A ASTA (BS 1362) bræðivar.

Notkun

⚠ VIÐVÖRUN! Hætta á meiðslum, bruna, raflosti eða eldsvoða.



Í kælivefjunum er svolítið af umhverfisvæna en eldfima kælimiðlinum R600a. Hann skaðar ekki ósonlagið og eykur ekki gróðurhúsaáhrifin. Ef kælimiðill lekur út getur hann skaðað augu eða

viknað í honum. Ekki skemma kælivefjurnar.

- Yfirborð þjöppunnar getur hitnað við eðlilega notkun. Ekki snerta yfirborðið með berum höndum.
- Ekki má breyta tæknilýsingu ísskápsins.
- Ekki má láta raftæki (t.d. ísvélar) inn í heimilistækið nema framleiðandi segi þau henta til þess.
- Ef skemmdir verða á kælihringrásinni skal tryggja að hvorki sé opinn eldur né nokkuð sem geti kveikt eld inni í herberginu. Loftræstið herbergið.
- Ekki snerta plastíhluti heimilistækisins með heitum hlutum.
- Ekki geyma flöskudrykki í frystihólfi til að forðast að flöskurnar springi eða annað tjón.
- Ekki geyma eldfimar lofttegundir í heimilistækinu.
- Ekki láta eldfima framleiðslu eða blauta hluti með eldfimri framleiðslu í eða nálægt heimilistækinu.
- Ekki má snerta þjöppuna eða þéttinn. Þau eru heit.
- Ekki fjarlægja eða snerta hluti úr frystihólfinu ef þú ert með blautar eða rakar hendur.
- Ekki kyngja innihaldi (óeitrað) frystikubbanna.
- Ekki borða ísmola eða íspinna beint úr frysti því þeir geta valdið kali.
- Þíddan mat ætti ekki að setja aftur í hólfið fyrir frosna matvöru.
- Fylgdu geymslufyrirmælum á umbúðum matvæla.

Innri lýsing

⚠ VIÐVÖRUN! Hætta á raflosti.

- Ljósaperan í heimilistækinu er sérstaklega gerð fyrir heimilistæki og hentar ekki í almenna herbergislýsingu ((ESB) 2019/2020).

Umhirða og þrif

⚠ VIÐVÖRUN! Hætta á meiðslum eða skemmdum á heimilistækinu.

- Áður en viðhald hefst skal slökkva á heimilistækinu og taka rafmagnssnúruna úr sambandi.
- Þetta tæki inniheldur kolevetni í kælieiningunni. Aðeins hæfir aðilar mega sinna viðhaldi og endurhleðslu á einingunni.
- Skoðið frárennsli tækisins reglulega og hreinsið það ef þörf krefur. Ef drenið er stíflað safnast afþítt vatn fyrir neðst í heimilistækinu.

Þjónusta

- Ef gera þarf við tækið skal hafa samband við viðurkenndan þjónustuaðila sem skráður er aftast í handbókinni.
- Notaðu aðeins upprunalega varahluti.

Förgun

⚠ VIÐVÖRUN! Hætta á meiðslum eða köfnun.

- Takið heimilistækið úr sambandi.
- Skerið rafmagnssnúruna í burtu og fleygið henni.
- Fjarlægjið hurðar til að koma í veg fyrir að börn eða gæludýr lokist inni í heimilistækinu.
- Kælirásin og einangrunarefnið í tækinu eru ósonvæn.
- Einangrunarfroðan inniheldur eldfimt gas. Hafið samband við yfirvöld á staðnum varðandi upplýsingar um hvernig farga skuli heimilistækinu á réttan hátt.
- Ekki skemma þann hluta kælieiningarinnar sem er nálægt varmaskiptinum.

Framleiðandinn hafnar öllum bótakröfum vegna áverka á fólki eða dýrum eða skemmda á eignum ef ofan nefnd ráð og varúðarráðstafanir eru ekki virt.

Uppsetning

⚠ VIÐVÖRUN! Áður en heimilistækið er sett upp skal kynna sér öryggisupplýsingar í bæklingi þessum.

Gátlisti uppsetningar

Hurð

- Hurð þéttir við skápinn alls staðar
- Hurð er lóðrétt

Hallastilling

- Kæliskápurinn er stöðugur

Rafmagn

- Bíðið 4 klst.
- Rafmagn á húsi
- Ísskápur í sambandi

Lokaathuganir

- Umbúðir fjarlægðar
- Hitastig kælikáps er stillt

Staðsetning

- Fylgdu aðskildum samsetningarleiðbeiningum til að setja upp þetta tæki.
- Setjið upp heimilistækið á stöðum þar sem umhverfishitastig samsvarar loftslagsflokki sem er gefinn til kynna á merkiplötu heimilistækisins. Það tryggir að heimilistækið vinni rétt. Loftslagsflokkar eru skýrðir þannig:

Loftslagsflokkur	Umhverfishiti
SN	+10 °C til +32 °C
N	+16 °C til +32 °C
ST	+16 °C til +38 °C
T	+16 °C til +43 °C

- „SN“ táknar að þessi kælikápur er ætlaður til notkunar við umhverfishitastig frá 10 °C til 32 °C.

- „N“ táknar að þetta kælitæki sé ætlað til notkunar við umhverfishitastig frá 16 °C til 32 °C.

- „ST“ táknar að þetta kælitæki sé ætlað til notkunar við umhverfishitastig frá 16 °C til 38 °C.

- „T“ táknar að þetta kælitæki sé ætlað til notkunar við umhverfishitastig frá 16 °C til 43 °C.

- ⓘ Í sumum gerðum heimilistækja geta komið upp ýmis vandamál þegar þau starfa utan tiltekins hitasviðs. Ekki er hægt að tryggja að heimilistækið vinni rétt nema það sé innan tiltekins hitasviðs. Ef einhver vafi kemur upp um uppsetninguna skal snúa sér til söluaðila, viðskiptavinþjónustu okkar eða næstu viðurkenndu þjónustumiðstöðvar.

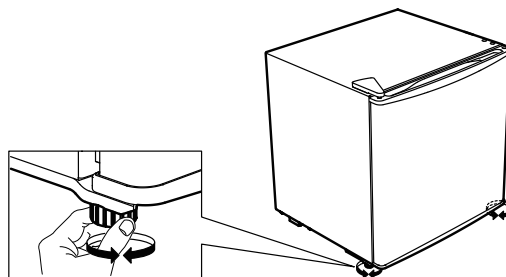
Staðsetning

Bestur árangur fæst með því að setja heimilistækið fjarri hitagjöfum, svo sem miðstöðvarofnum, kötlum og beinu sólarljósi. Gangið úr skugga um að loft geti leikið um bakið á skápnum.

Heimilistækið stillt af

Ef heimilistækið hallar skal stilla framfætturna tvo á heimilistækinu til að stilla af heimilistækið. Sjá nánari leiðbeiningar í aðskildum samsetningarleiðbeiningum.

1. Taktu rafmagnskló úr sambandi við rafmagnsinnstunguna.
2. Snúðu fætinum réttisælis til að hækka tækið. Snúðu fætinum andsælis til að lækka heimilistækið.



Þrif á heimilistækinu

Áður en heimilistækið er notað í fyrsta sinn skal þrifa það til að fjarlægja dæmigerða lykt af nýju tæki.

1. Gangið úr skugga um að heimilistækið úr sambandi.
2. Strjúkið innan úr með mjúkum rökum klút.
3. Þvoið innvolsið með volgu vatni og hlutlausri sápu og þurrkið síðan vandlega.

VARÚÐ!

Ekki nota efni sem rispa, klór eða sýruþvottaefni eða leysa.

- Ekki nota grófa eða slípandi svampa. Málmyfirborðið getur tærst.
- Aldrei skal hreinsa fylgihluti með því að nota uppþvottavél. Þeir geta aflagast.

Rafmagnstenging

⚠ VARÚÐ! Öll rafmagnsvinna sem þarf til að setja upp þetta heimilistæki ætti að vera framkvæmd af hæfum rafvirkja eða þar til bærum aðila.

⚠ VIÐVÖRUN! Þetta heimilistæki þarf að vera jarðtengt. Ef ekki er farið eftir þessum leiðbeiningum getur hlotist af dauði, eldsvoði eða raflost.

Framleiðandinn afsalar sér allri ábyrgð ef ofangreindum öryggisleiðbeiningum er ekki fylgt. Rafmagnstækið uppfyllir kröfur EES. Reglur.

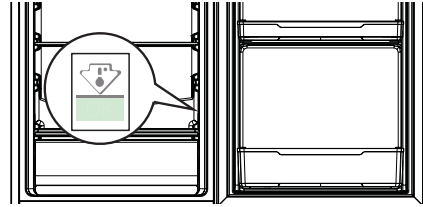
Fyrsta notkun

Tengið heimilistækið við rafmagn. Kjörhitastillingar eru gerðar í verksmiðjunni (millistig).

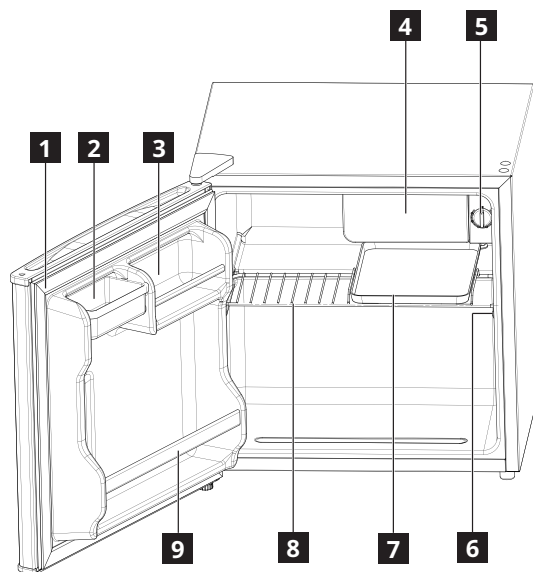
Athugasemd: Eftir að kveikt hefur verið á heimilistækinu þurfa að líða 4-5 klst. til að náist rétt hitastig sem hægt er að geyma dæmigert magn af matvælum við.

Mikilvægt!

Í samræmi við reglugerðir í sumum löndum verður að vera með sérstakt tæki (sjá mynd hér að neðan) sem komið er fyrir í neðri kæliholfi tækisins til að gefa til kynna kaldasta svæði þess.



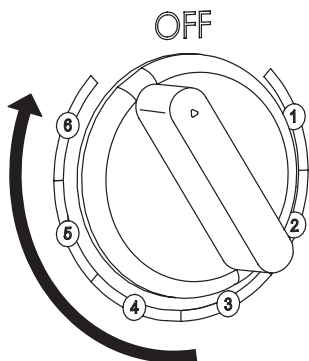
Vörulýsing



- 1** Hurðapétting
- 2** Geymslubox
- 3** Könnuhaldari
- 4** Kæliholf

- 5** Hitastýring
- 6** Merkipjald
- 7** Afþiðingarbakki
- 8** Hilla
- 9** Flöskurekki

Meðferð



Þegar kveikt er á

Setjið aðalklóna í samband við innstungu og stillið hitastig. Heimilistækið fer í gang og fer að vinna.

Hitastigsstilling

Hitastiginu er stýrt sjálfkrafa.

Hitastigsstilling:

- Snúið hitastillinum í átt að lægri stillinu til að minnka kuldann.
- Snúið hitastillinum í átt að hærri stillingu til að auka kuldann.

i Millistilling hentar yfirleitt best.

Aðlagaðu hitastillingu með því að hafa í huga að hitastigið inni í tækinu fer eftir:

- herbergishitastigi
- hve oft dyrnar eru opnaðar
- geymslumagni af matvælum
- staðsetningu ísskápans

Mikilvægt! Ef umhverfishitastig er of hátt eða ísskápurinn fullhlaðinn og hann stilltur á lægsta hitastig getur verið að hann sé stöðugt í gangi þannig að hrím leggst á bakhlíðina að innan. Í þessu tilfalli verður að stilla hærra hitastig til að leyfa sjálfvirka afþíðingu og því minnkar orkunotkun.

Dagleg notkun

Ábendingar um kælingu á ferskum matvælum

- Breiddu yfir eða pakkaðu inn matnum, sérstaklega ef hann er bragðsterkur.
- Staðsettu matinn þannig að loft geti leikið óhindrað um hann.
- Til að ná sem bestum árangri skaltu skilja nóg pláss eftir í kæliholfinu til að loft geti streymt um umbúðirnar. Einnig skal skilja eftir nægilegt rými framan við svo að hægt sé loka dyrunum vel.
- Ekki skal geyma heitan mat eða vökva sem gufar upp af í kælikápnum.
- Eldaður matur og kaldir réttir: hyljið og setjið á einhverja hillu.
- Ávextir og grænmeti: hreinsið vel og látið í grænmetisskúffuna. Banana, kartöflur, lauk og hvítlauk má ekki geyma í kælikápnum án umbúða.
- Smjör og ostur: látið í sérstök loftþétt ílát eða pakkið í álpappír eða plastpoka til að útiloka sem mest loft.
- Flöskur: lokið með loki og látið í hurðahillur.

Orkusparnaðarráð

- Setjið upp heimilistækið í þurru, vel loftræstu herbergi langt frá hvers kyns hitagjöfum (t.d. ofnum, pottum o.s.frv.) og á stað sem sólin skín ekki beint á. Notið einangrunarplötu eftir þörfum.

Þrif og viðhald

Almenn ráð

- Þrífið heimilistækið reglulega með klút og volgri vatnslausn með hlutlausu hreinsiefni sem sérstaklega er ætlað innra borði kælisins. Forðist hreinsiefni og verkfæri sem rispa.
- Áður en heimilistækið er þjónustað eða þrífið skal taka það úr sambandi eða aftengja rafmagni.

VARÚÐ! Ekki má láta fylgihluti kælis í uppvottavél.

Ráð:

- Því lægra sem hitastigið er þeim mun lengur er hægt að geyma matvælin og þeim mun meira rafmagn notar heimilistækið.
- Því hærra sem hitastigið er því hraðar skemmast matvælin og því minna rafmagn notar heimilistækið.

Slökkva á

Þegar slökkt er á heimilistækinu skal snúa hitastillingnappnum á stöðuna „OFF“ og síðan skaltu taka aðalklóna úr sambandi.

- Fylgið uppsetningarfyrirmælum til að tryggja næga loftræstingu.
- Ónóg loftræsting bak við tækið eykur orkunotkun og dregur úr kælinýtni.
- Umhverfishiti, opnunartíðni sem og staðsetning heimilistækisins geta haft áhrif á hitastig inni í heimilistækinu. Hitastillingin ætti að miðast við þessa þætti.
- Látið heit matvæli og drykki kólna áður en þau eru sett í heimilistækið.
- Ekki láta matvæli hindra viftuna (ef hún er til staðar).
- Þegar matvæli eru látin í kælikápin eða tekin út þarf að tryggja að dyrnar séu vel lokaðar, einkum á frystinum.
- Lágmarkið opnun á hólfum.
- Við þíðingu matvæla skal láta þau í kælikápin. Laga hitastigið á frosnum matvælum kælið niður matvælin í ísskápnum.
- Fyrirkomulag á hillum í kælikáp hefur engin áhrif á orkunýtni. Matvæli skal setja þannig á hillur að það tryggji næga loftun (matvæli eiga ekki að snertast og halda skal fjarlægð á milli matvæla og bakhlíðar).
- Skipta skal sem fyrst um skemmdar þéttingar.

Afþíðing heimilistækis

- Afþíða skal heimilistækið. Þegar íslagið á yfirborði kælivefjanna er orðið 3 til 4 mm þykkt.
- Áður en afþítt er skal fjarlægja öll matvæli og slökkva á heimilistækinu. Látið afþíðingarbakkann undir kælivefjurnar til að taka við bráðnuðu vatninu.
- Eftir að allur ísinn er bráðnaður skal hella burt vatninu, þurrka heimilistækið að innan með þurrum klút og kveikja aftur á heimilistækinu.

Ef heimilistækið er ekki í notkun langtímum saman

1. Slökkið á heimilistækinu.
2. Takið heimilistækið úr sambandi.
3. Fjarlægið öll matvæli.
4. Afþíðið og þrifið heimilistækið.

5. Skiljið hólfin eftir opin rétt nægilega mikið til að loft nái að hringrás í hólfunum. Þetta kemur í veg fyrir að myndist mygla og óþægileg lykt.

Ef rafmagnið fer af

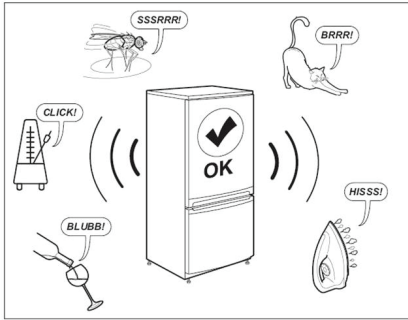
- Halda skal heimilistækinu lokuðu. Þannig haldast matvælin köld sem lengst.

Bilanaleit

Vandamál	Möguleg orsök	Lausn
Heimilistækið virkar ekki.	Slökkt á heimilistækinu.	Kveikt á heimilistækinu.
	Rafmagnsklóin er ekki almennilega í sambandi.	Setjið rafmagnsklóna almennilega í samband.
	Innstungan gefur engan straum.	Til að komast að hvort rafmagnsinnstungan er í lagi má reyna að tengja annað raftæki við hana. Kallið til viðurkenndan rafvirkja til að gera við innstunguna.
Heimilistækið er hávaðasamt.	Heimilistækið fær ekki almennilegan stuðning.	Stillið af heimilistækið. Sjá „Heimilistækið stillt af“ eða aðskildar leiðbeiningar um samsetningu.
Pressan gengur stöðugt.	Hitastilling er of lág.	Stillið á hærra hitastig. Sjá „Meðferð“.
	Margar matvörur voru settar inn á sama tíma.	Bíðið nokkrar klukkustundir og kannið þá aftur hitastigið.
	Herbergishitastig er of hátt.	Finnið aðra staðsetningu fyrir tækið ef hægt er. Sjá „Staðsetning“.
	Matvæli sem látin voru í kælikápinn voru of heit.	Leyfið matvælum að kólna að stofuhita áður en þau eru geymd.
	Hurðin er ekki almennilega lokuð.	Sjá kaflann „Að loka hurðinni“.
Hitastig inn í heimilistækinu er of lágt/ of hátt.	Hitastig var ekki rétt stillt.	Stillið á hærri/lægri hita.
	Hurðin er ekki almennilega lokuð.	Sjá kaflann „Að loka hurðinni“.
	Matvæli sem látin voru í kælikápinn voru of heit.	Leyfið matvælum að kólna að stofuhita áður en þau eru geymd.
	Margar matvörur voru settar inn á sama tíma.	Setjið inn færri matvæli á sama tíma.
	Þykkt á hrím- eða íslagi er yfir 4-5 mm.	Afþíðið heimilistækið.
	Hurðin var opnuð of oft.	Opnið hurðina aðeins þegar nauðsynlegt er.
	EKKI er nóg hringrás af köldu lofti í tækinu.	Endurraðið matvælunum þannig að loftið geti leikið um í tækinu.
Hurðin lokast ekki almennilega.	Sjá kaflann „Að loka hurðinni“.	Sjá kaflann „Að loka hurðinni“.

Eðlileg hljóð

Það er eðlilegt að kælikerfi gefi frá sér hljóð, svo sem gutl- og hvæshljóð.



Að loka hurðinni

Ef	Gera
Hurðapéttingar eru óhreinar.	Skal þrifa þær.
Hurðapéttingar eru skemmdar.	Skal kalla til Eftirsöluþjónustu til að skipta um þær.
Hillur, skúffur, matvæli o.s.frv. eru fyrir hurðinni.	Staðsetjið betur eða fjarlægjið hluti sem eru fyrir hurðinni.
Heimilistækið er ekki stöðugt.	Stillið af heimilistækið. Sjá „Heimilistækið stillt af“ eða aðskildar leiðbeiningar um samsetningu.
Hurðin hallar miðað við skápinn.	Stillið af hurðina. Vísað í aðskildar samsetningarleiðbeiningar.

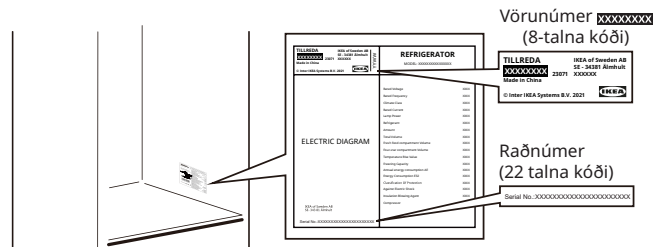
Áður en haft er samband við eftirsöluþjónustu:

Endurræsið heimilistækið til að kanna hvort bilunin hefur verið löguð. Ef hún er viðvarandi skal slökkva aftur á heimilistækinu og endurtaka aðgerðina eftir klukkustund.

Ef heimilistækið vinnur ekki rétt eftir athuganirnar samkvæmt bilanaleitarleiðbeiningunum og eftir gangsetningu aftur skal hafa samband við þjónustuborð, skýra vandamálið og tiltaka:

- eðli vandamáls
- kaupdagsetningu
- gerðar- og raðnúmer heimilistækis

ⓘ Hlutanúmerið og raðnúmerið má sjá á merkiplötunni innan á hægri hlið heimilistækisins.



Mynd aðeins til viðmiðunar

Tæknilegar upplýsingar

Vöruflokkur	
Vörutegund	Kæliskápur
Gerð uppsetningar	Frístandandi
Mál tækis	
Hæð	492 mm
Breidd	472 mm
Dýpt	450 mm
Nettó rúmmál	
Kæliskápur	43,0 l
Afþiðingarkerfi	
Kæliskápur	Handvirkt
Aðrar tæknilysingar	
Stjörnugjöf	Á.e.v.
Hitastigshækkunartími	Á.e.v.
Orkunotkun	80 kWh/ár
Hávaðastig	41 dB (A)
Orkuflokkur	E
Nafnspenna	220-240 V~
Nafntíðni	50 Hz
Ljósapera í orkunýtnum flokki	Á.e.v.

Athugasemd: Finna má upplýsingar um vöruna í gagnagrunni vörunnar með því að skanna QR-kóðann á EPREL-miðanum.

Umhverfismálefni

1. Efni í umbúðum ♻️

Endurnýtanlegar umbúðir eru merktar með táknuinu ♻️.

Látið umbúðir í viðeigandi ílát til endurvinnslu. Látið börn ekki komast í umbúðir (plastpoka, pólýstýrenhluta o.s.frv.) því hætta getur stafað af.

2. Brotajárn/förgun

Heimilistækið er framleitt úr endurvinnanlegu efni. Heimilistækið er merkt í samræmi við Evrópsku tilskipunina 2002/96/EC um raf- og rafeindabúnaðarúrgang (WEEE). Með því að tryggja að heimilistæki þínu sé rétt fargað stuðlar þú að því að koma í veg fyrir neikvæðar afleiðingar á umhverfið og heilsufar fólks.

Táknið  á heimilistækinu eða í fylgigögnum

gefur til kynna að þetta heimilistæki ætti ekki að meðhöndla sem heimilissorp, heldur fara með á sérstaka móttökustöð fyrir endurvinnslu raf- og rafeindaúrgangs. Þegar heimilistækinu er fargað skal gera það ónothæft með því að klippa af rafsnúruna og fjarlægja hurðar og hillur svo að börn geti ekki komist auðveldlega inn og fest sig.

Fargið heimilistækinu í samræmi við gildandi reglugerðir um förgun úrgangs og farið með það á sérstaka móttökustöð. Ekki skilja heimilistækið eftir eftirlitslaust í nokkra daga, því af því stafar hugsanlega hætta fyrir börn.

Hafið samband við til þess bæra skrifstofu, söfnunarstöð fyrir heimilisúrgang eða verslun þar sem heimilistækið var keypt varðandi frekari upplýsingar um meðferð, endurheimt og endurvinnslu þessa tækis.

Samræmisýfirlýsingin

- Heimilistækið er gert til að varðveita matvæli og er framleitt samkvæmt reglugerð (EES) Nr. 1935/2004.



- Þetta heimilistæki var hannað, framleitt og markaðssett í samræmi við:
 - öryggisákvæði „Lágspennu“ tilskipunarinnar 2014/35/ESB (sem kemur í stað 2006/95/CE og meðfylgjandi viðauka);

- verndarskilmála tilskipunarinnar „EMC“ 2014/30/ESB.
- Þetta heimilistæki var hannað, framleitt og markaðssett í samræmi við:
 - Reglugerð um rafsegulsamhæfi 2016
 - Reglugerð um rafmagnsbúnað (öryggi) 2016

**IKEA ábyrgð****Hversu lengi gildir IKEA ábyrgðin?**

Ábyrgðin gildir í **2 ár** frá kaupdagsetningu nema annað sé tekið fram í löggjöf viðkomandi þjóðar. Í Noregi, Portúgal og Spáni gildir ábyrgðin í 3 ár frá afhendingardegi til viðskiptavinar nema annað sé tekið fram löggjöf þjóðarinnar. Krafist er upprunalegu sölukvittunarinnar sem sönnun fyrir kaupunum. Ef gert er við heimilistækið á meðan það er í ábyrgð framlengir það ekki ábyrgðartíma þess.

Hver sér um þjónustuna?

Þjónustuaðili IKEA veitir þjónustuna í gegnum eigin viðgerðarþjónustu eða samþykkt viðgerðarþjónustu samstarfsaðila.

Hvað nær þessi ábyrgð yfir?

Ábyrgðin nær yfir bilanir á heimilistækinu, sem orsakast af göllum í smíði þess eða efnivið frá þeim degi sem það var keypt hjá IKEA. Þessi ábyrgð gildir aðeins til heimilisnota. Undantekningarnar eru taldar upp undir fyrirsögninni „Hvað fellur ekki undir þessa ábyrgð?“ Innan ábyrgðartímans nær ábyrgðin yfir kostnað af viðgerð vegna bilunar, t.d. viðgerðir, varahluti, vinnu og ferðalög, að því tilskildu að heimilistækið sé aðgengilegt til að gera við án sérstakra útgjalda. Um þessa skilmála gilda viðmiðunarreglur ESB (Nr. 99/44/EG) og reglugerðir hlutaðeigandi lands. Varahlutirnir sem skipt er um verða eign IKEA.

Hvað gerir IKEA til að leysa vandamálið?

Þjónustuaðili, skipaður af IKEA, mun skoða vöruna og taka einn ákvörðun um það hvort þessi ábyrgð nái yfir hana. Ef ábyrgðin telst ná yfir heimilistækið mun þjónustuaðili IKEA eða samþykkt samstarfsfyrirtæki annað hvort gera við gölluðu vöruna eða skipta henni fyrir sömu eða sambærilega vöru, og er ákvörðun um það alfarið í þeirra höndum.

Hvað fellur ekki undir þessa ábyrgð?

- Eðlilegt slit.
- Vísvitandi eða vanrækslutjón, tjón af völdum þess að notkunarleiðbeiningum var ekki fylgt, röng uppsetning eða tenging við ranga spennu, tjón af völdum efna eða rafefnafræðilegra viðbragða, ryð, tæring eða vatnsskemmdir meðal en ekki takmarkað við tjón af völdum óhóflegs kalks í vatnsveitu, tjón af völdum óeðlilegra umhverfisaðstæðum.
- Einnota vörur eins og rafhlöður og perur.
- Óhagnýtir og skrauthlutir sem hafa ekki áhrif á eðlilega notkun á tækinu, þar á meðal alls konar rispur og mögulegur litamunur.
- Tilfallandi tjón af völdum aðskotahluta eða efna og þrifa eða hreinsun á síum, fráveitum eða sápuskúffum.
- Skemmdir á eftirfarandi hlutum: keramikgleri, fylgihlutum, leirtaus- og hnífaparakörfum, aðrennslis- og frárennslisrörum, þéttum, perum og peruhlífum, skjáum, hnöppum, hlífum og hluta af hlífum. Nema hægt sé að sanna að slíkt tjón sé tilkomið vegna framleiðslugalla.
- Tilfelli þegar tæknimaður skoðar heimilistækið og finnur engan galla.
- Viðgerðir sem ekki eru framkvæmdar af skipuðum þjónustuaðila okkar og/eða viðurkenndum þjónustuaðila sem er samningsbundinn samstarfsaðili eða upprunalegir varahlutir hafa ekki verið notaðir.
- Viðgerðir af völdum gallaðrar uppsetningar eða sem er ekki í samræmi við tæknilýsingu.
- Notkun heimilistækisins í umhverfi sem er ekki heimili, þ.e. í atvinnuskyni.
- Skemmdir vegna flutninga. Ef viðskiptavinur flytur vöruna heim til sín eða á annað heimilisfang, ber IKEA ekki ábyrgð á tjóni sem kann að verða í flutningum. Hins vegar, ef IKEA afhendir vöruna á heimilisfang viðskiptavinarins, falla þær skemmdir á vörunni sem eiga sér stað við þessu afhendingu undir ábyrgðina.

- Kostnaður við að setja upp IKEA heimilistækið í fyrsta sinn. Hins vegar, ef þjónustuaðili skipaður af IKEA eða viðurkenndur þjónustuaðila gerir við eða skiptir um tæki samkvæmt skilmálum þessara ábyrgðar, munu þeir setja tæki upp sem er búið að gera við eða setja upp tæki sem er búið að skipta um, ef þörf krefur.

Þessar takmarkanir eiga ekki við um gallalaus vinnu sem viðurkenndur sérfræðingur framkvæmir með því að nota upprunavahluti til að laga heimilistækið að tæknilegum öryggistæknilýsingum annars ESB-lands.

Hvernig lög landsins gilda

IKEA ábyrgðin veitir þér tiltekin réttindi, sem ná yfir eða fara fram úr öllum staðbundnum lagalegum kröfum. En þessir skilmálar takmarka á engan hátt réttindi neytandans sem lýst er í staðbundinni löggjöf.

Gildissvæði

Fyrir tæki sem eru keypt í einu ESB landi og síðan flutt til annars ESB lands, er þjónustan sem veitt verður innan ramma eðlilegra ábyrgðarskilmála í nýja landinu.

Skuldbinding til að framkvæma þjónustu í tengslum við ábyrgð er aðeins ef tækið uppfyllir og er sett upp í samræmi við:

- tæknikröfur landsins þar sem ábyrgðarkrafa er gerð;
- samsetningarleiðbeiningar og öryggisupplýsingar í notendahandbókinni.

Hið sérstaka ÞJÓNUSTUBORÐ heimilistækja frá IKEA

Ekki hika við að hafa samband við þjónustufulltrúa hjá IKEA til að:

- leggja fram þjónustubeiðni samkvæmt þessari ábyrgð;
- fá leiðbeiningar um hvernig á að setja IKEA-heimilistækið inn í viðkomandi IKEA-eldhúsinnréttingu.
- biðja um skýringar á virkni IKEA tækisins.

Vinsamlegast lestu vandlega leiðbeiningum um samsetningu og/eða notendahandbókina áður en haft er samband við okkur til að tryggja að við bjóðum þér bestu aðstoð.

Hvernig á að ná í okkur ef þú þarft á þjónustu okkar að halda



Aftast í handbókinni eru símanúmer yfir alla veitendur eftirsöluþjónustu sem útnefndir hafa verið af IKEA.

- **Til að flýta fyrir þjónustu er mælt með að nota sérstök símanúmer sem eru skráð í handbókinni. Notaðu alltaf númerin sem gefin eru upp í notendahandbókinni fyrir það tiltekna heimilistæki sem þú þarft aðstoð með. Munið að láta fylgja 8 tölustafa hlutanúmer og 22 tölustafa raðnúmer sem koma fram á merkiplötu heimilistækisins.**

GEYMIÐ SÖLUKVITTUNINA!

Hún er sönnun fyrir kaupunum og hana þarf þegar krafa er gerð um ábyrgð. Sölukvittunin sýnir einnig IKEA nafnið og númer hlutarins (8 stafa númer) fyrir hvert tæki sem þú hefur keypt.

Þarft þú meiri hjálp?

Vinsamlegast hafðu samband við þjónustuborð IKEA til að fá svör við spurningum sem tengjast ekki eftirsölu á tækinu þínu. Við mælum með að lesa bæklingana sem fylgja heimilistækinu áður að haft er samband við okkur.

Varahlutaupplýsingar

- Eftirfarandi varahlutir verða tiltækir fyrir fagmenn í viðgerðum lágmark í sjö ár eftir að síðasta einingin af þessari gerð hefur verið markaðssett: hitastillar, hitaskynjarar, prentspjöld og ljósgjafar.
- Varahlutirnir hurðahúnar, hurðalamir, bakkar og körfur verða tiltækir fyrir fagmenn í viðgerðum í lágmark sjö ár, en hurðapéttingar í lágmark 10 ár eftir að síðasta eining af þessari gerð var markaðssett.

Varahluti má finna á: www.ikea.com

Country	Phone Number	Call Fee	Opening Time (Mon-Fri)
Deutschland	08007242420	Kostenlos	8am - 5pm
France	0805543333	Gratuit	8.30 am – 7.00 pm (lun-ven) 8.30 am – 1.00 pm (sam)
United Kingdom	08009175827	free	9am till 5pm
Ireland		free	9am till 5pm
Italia	800130373	Gratis	9am-6pm
España	900822398	Gratis	9am-6pm
Ελλάδα	0080044146128 (+30)21 6860020	Χωρίς χρέωση	9am-6pm
България	0 700 10 218	Безплатно	9.00 – 18.00 ч. (пон. - пет.)
Nederland	0900 - 235 4532 (0900-BEL IKEA) 0031 - 50 316 8772 (internationaal)	Gratis	Ma-Vr 8-20, Za 9-20
Sverige	0775700500	Kostnadsfritt	mån-fre 8.30 - 20.00 lör-sön 9.30 - 18.00
Schweiz	0800110344	Kostenlos	8am - 5pm
Suisse		Gratuit	8am - 5pm
Svizzera		Gratis	8am - 5pm
Österreich	0800909626	Kostenlos	9am-5pm
België	080080159	Gratis	9am-5pm
Belgique		Gratuit	9am-5pm
Luxembourg		Gratuit	9am-5pm
Danmark	70 15 09 09	Gratis	man. - fre. 09.00 - 20.00 lør. - søn. 09.00 - 18.00
Norge	80031407	Gratis	9.00 am – 4.00 pm
Polska	800012088	Bezpłatne	9am-5pm
Portugal	800210151	Gratuita	9am-6pm
Česká republika	800050717	Zdarma	9am-5pm
Suomi	0800302588	Maksuton	9.00 am – 4.00 pm
Magyarország	0680984517	Ingyenes	9am-5pm
Türkiye	4449774	Ücretsiz	8.00 am – 17.30 pm
Россия	88005510448	Бесплатно	9am-6pm
Slovensko	(+42)1415623915	Bezpłatne	9.00 – 18.00 (pondelok – piatok)
Latvija	(+371)67717065	Bez maksas	9.00 – 18.00 (P – Pk)
Eesti	(+372)6366525	Tasuta	9.00 – 18.00 (E-R)
Lietuva	(+370)67641956	Nemokamai	9.00 – 18.00 (Pr-Pn)
Κύπρος	IKEA.com	Ελεύθερος	

Country	Phone Number	Call Fee	Opening Time (Mon-Fri)
Gran Canaria	IKEA.com	Gratis	
Србија	IKEA.com	Besplatno	
Ísland	IKEA.com	Ókeypis	
România	IKEA.com	Gratuit	
Hrvatska	IKEA.com	Ne naplaćuje se	
Slovenija	IKEA.com	Brezplačno	
Tenerife	IKEA.com	Gratis	

