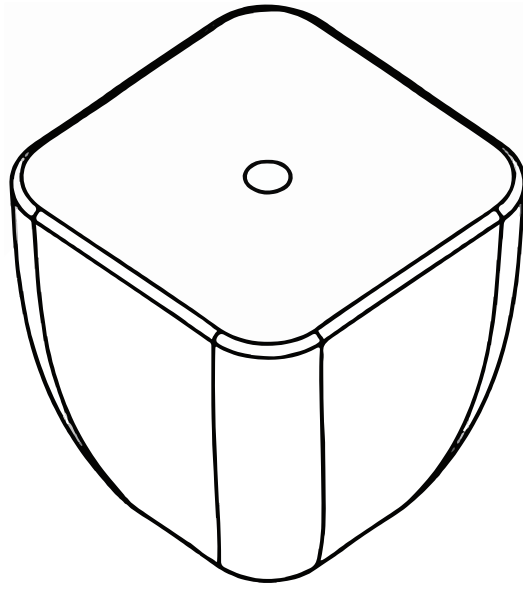
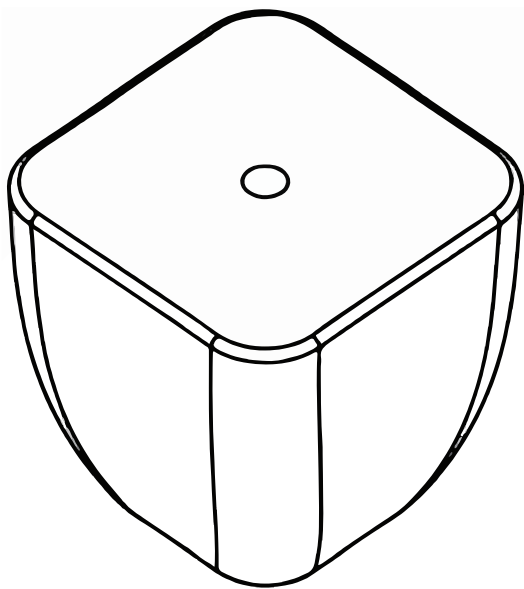
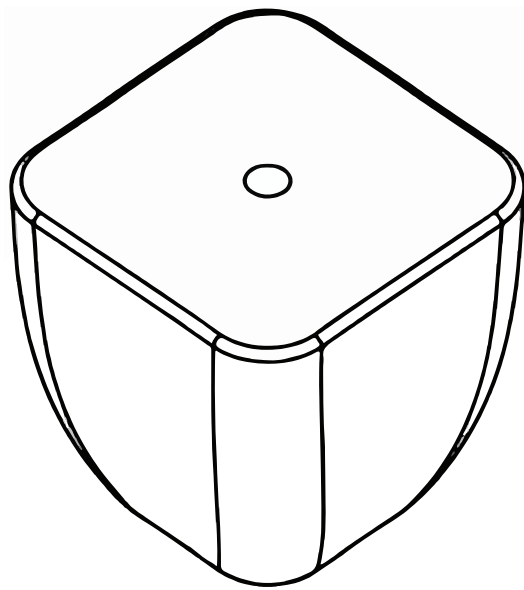
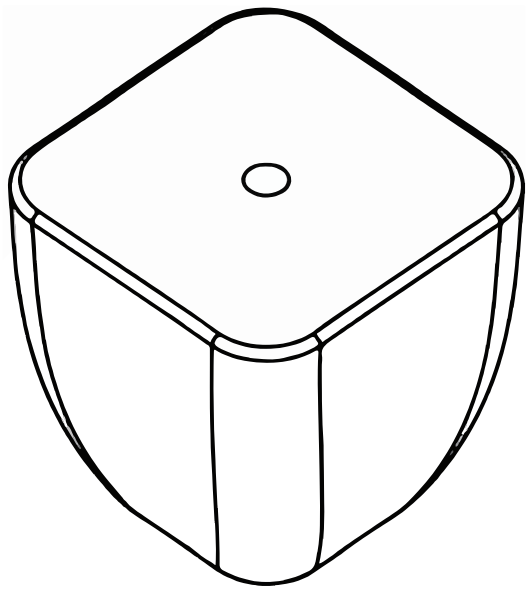
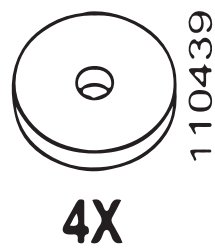
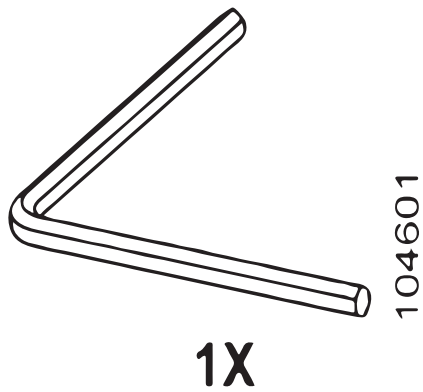
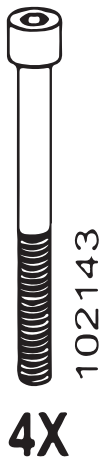
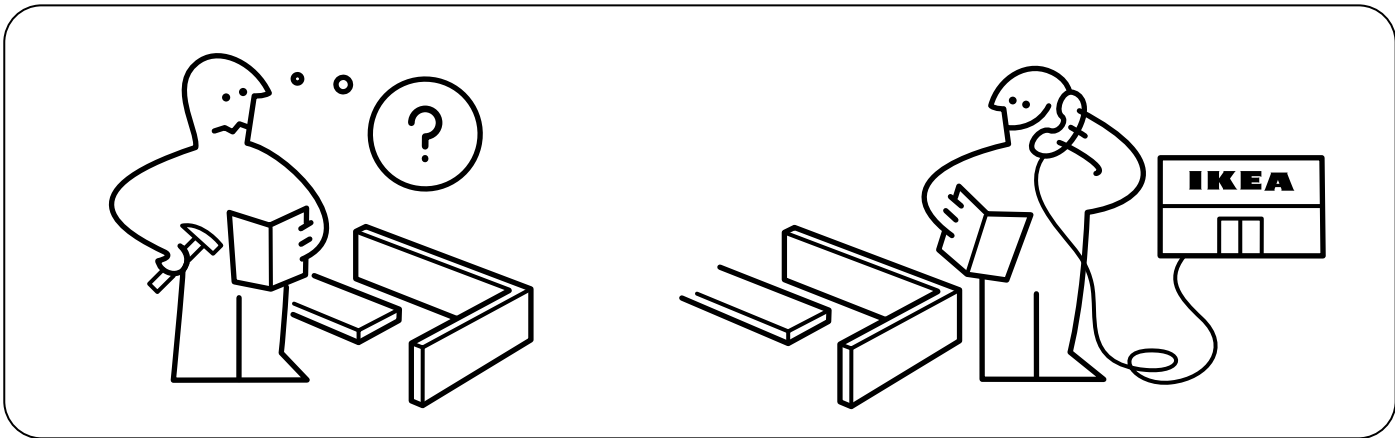
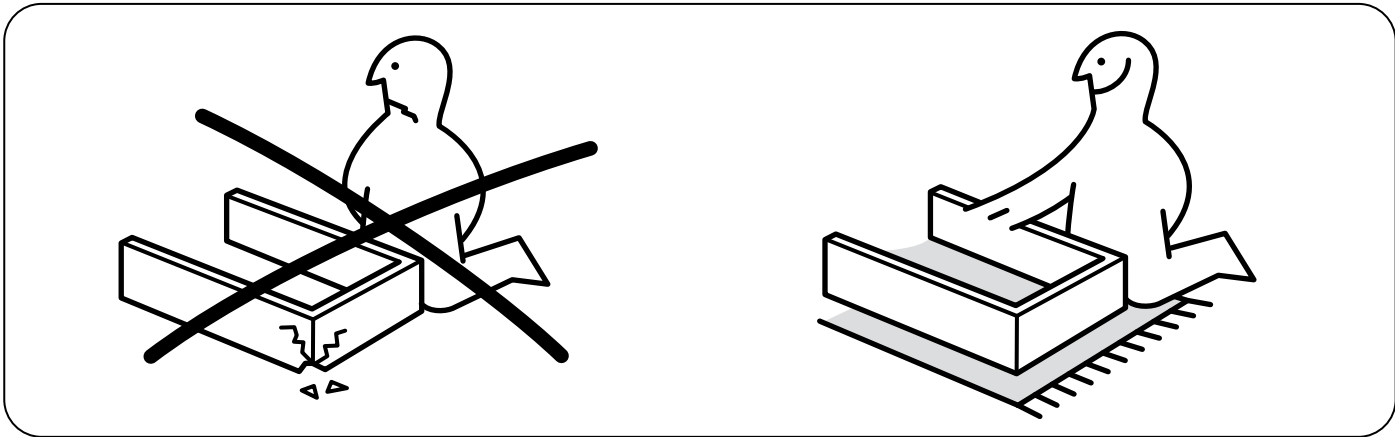
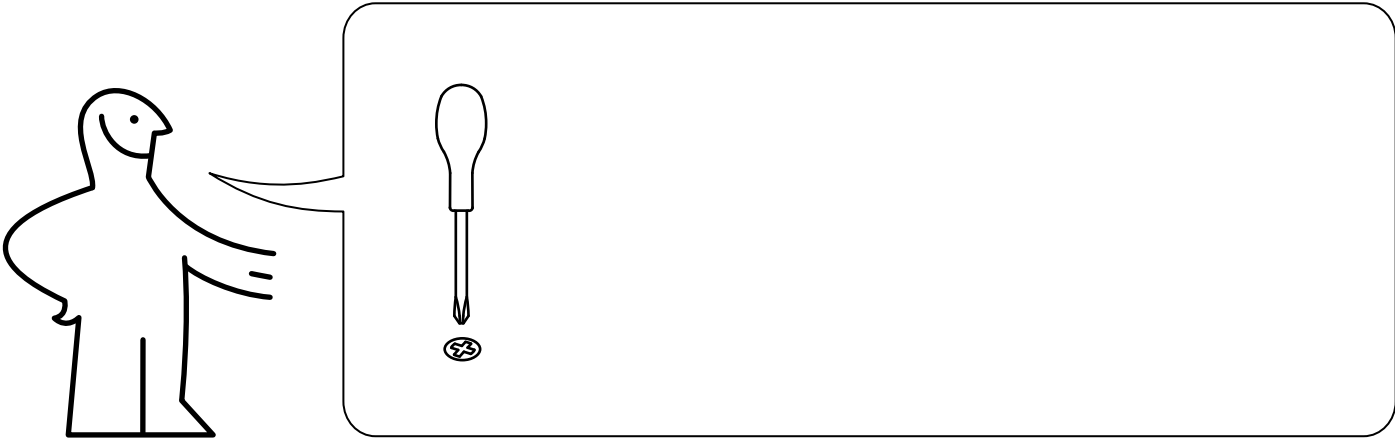


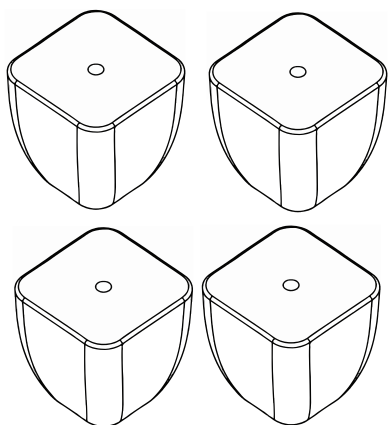
VINLIDEN



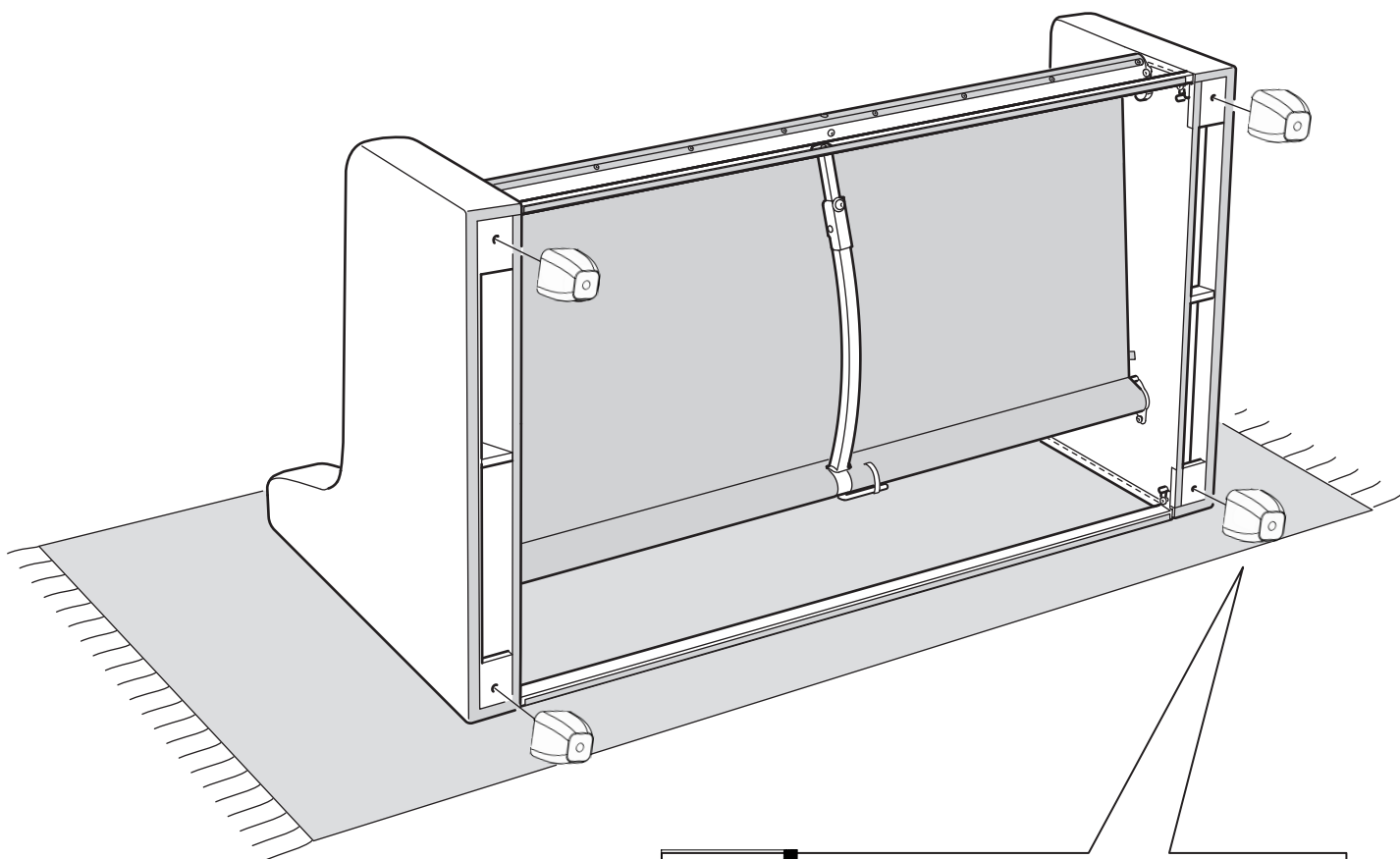
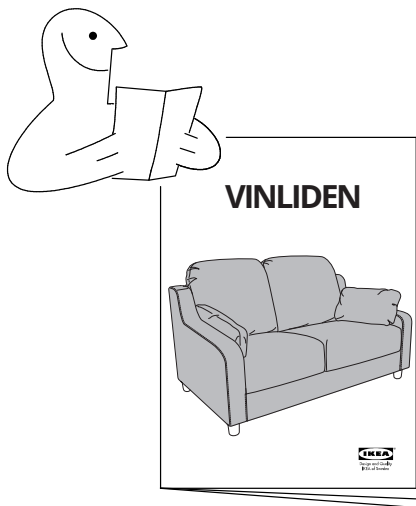
Design and Quality
IKEA of Sweden



1



+



4x

